



► Models WV450XD and WV450XE

Flameproof GRP Strobe Lights



Model WV450X flameproof single flash strobe signal provides three high intensity light outputs utilizing a 10,000 hour rated strobe tube. The housing is manufactured from GRP (glass-reinforced polyester) to reduce weight, improve corrosion resistance and eliminate regular inspection of the flame path.

Devices include 316 stainless steel hardware, mounting bracket and dome guard. The WV450X comes standard with metric cable entries in both the “d” explosion proof version and the “de” increase safety terminal chamber with 3x M20 entries. The increased safety design allows for quick field termination and pass-through wiring.

The WV450X is ideal for the demands of offshore marine and land based heavy industrial when ATEX & IECEx certifications are required.

FEATURES

- Available in 10, 15 and 21 joule units
- Seven lens colors: Amber, Blue, Clear, Green, Magenta, Red and Yellow
- 316 stainless steel mounting bracket included
- Available voltages ($\pm 15\%$):
24-48VDC – 15J units
110VAC – 10J/21J units
220VAC – 10J/21J units
- Corrosion resistant GRP (Glass Reinforced Polyester)
- Included dome guard
- M20 entries standard
- Strobe tube life of 10,000 hours
- IP66 enclosure
- Zone rated, IECEx, ATEX
Ex d IIB +H2 T3-T4
Ex de IIB +H2 T3-T4
- ATEX, IECEx, CE, GOST and INMETRO Certified

MODEL	OPERATING VOLTAGE	JOULE	MAXIMUM OPERATING CURRENT	TEMPERATURE CODE AT 55°C	FLASH RATE
WV450XD/WV450XE	24/48VDC	15J	940/480mA	T4	60
	110VAC	10/21J	270/750mA	T3	60
	220VAC	10/21J	230/500mA	T3	60

Flameproof GRP Strobe Lights (WV450XD and WV450XE)

SPECIFICATIONS

Light Output

	Effective Candela Peak	Average Effective Candela on HV	Peak Intensity Candela	Actual Output joules
10 joule	174	110	195,000	10.75
15 joule	312	195	298,000	16.3
21 joule	393	297	357,700	21.5

Glass Color Transmission

Amber	Blue	Green	Red	Yellow
<.48	<.12	<.52	<.81	<.85

Terminals: Ex d: (DC) 4 way block (2 in, 2 out)
(AC) 6 way block (3 in, 3 out)

Ex de: 3 position dual pole terminal block

Cable Entries: Ex d: 2 entries - M20 x 1.5
Ex de: 3 entries - M20 x 1.5

Operating Temperatures:

"d" version without terminal chamber

ATEX -55°C to 55°C (-67°F to 131°F)

IECEX -55°C to 55°C (-67°F to 131°F)

"de" version with terminal chamber

ATEX -20°C to 55°C (-4°F to 131°F)

IECEX -20°C to 55°C (-4°F to 131°F)

Mounting: Via 316 stainless steel bracket

Exterior Lens: Toughened glass

Guard and External Fasteners: 316 stainless steel

WV450XD Weight:

Net /Shipping 3.23 kg (7.1 lbs) /3.88 kg (8.6 lbs)

WV450XE Weight:

Net /Shipping 3.9 kg (8.6 lbs) /4.54 kg (10 lbs)

Shipping Dimensions: 19 x 22 x 47 cm (7.5 x 9 x 18.5 in.)

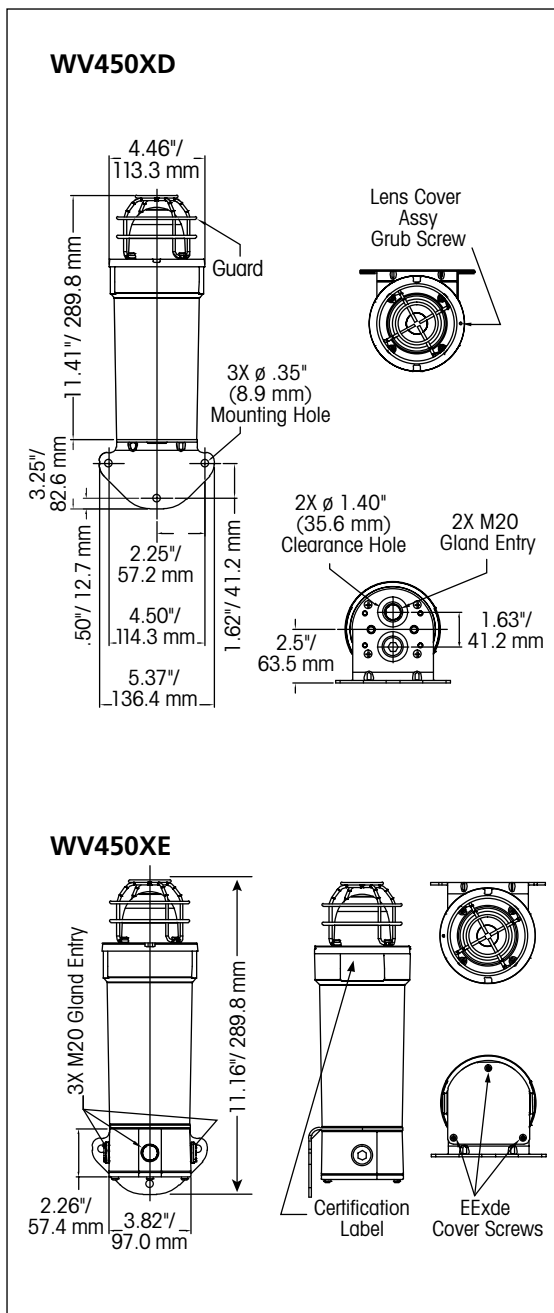
ATEX Certificate Number DEMKO 06 ATEX 0425693X

IECEX Certificate Number IECEX UL 06.0010X

Certification Marking ("d" only version) Ex d IIB + H2 T3-T4 @
-55°C < Tamb < 55°C

Certification Marking ("de" version) Ex de IIB + H2 T3-T4 @
-20°C < Tamb < 55°C

Ingress Protection (IP) Rating IP66



HOW TO ORDER

WV450X

D

10

- 110 A

TYPE
WV450X

PROTECTION
D Flameproof "d"
E Increased Safety
"de" terminal box

RATING
10 10 joule
15 15 joule
21 21 joule

VOLTAGES ±15%
024VDC - 15J
110VAC - 10J and 21J
220VAC - 10J and 21J

COLOR
A Amber
B Blue
C Clear
G Green
M Magenta
R Red
Y Yellow