

MODEL VALS

**INSTALLATION INSTRUCTIONS FOR STROBE LIGHT ON
HORNS AND SPEAKERS**

MODELO VALS

**INSTRUCCIONES DE INSTALACION PARA LUZ EN
BOCINAS Y PARLANTES**

MODELE VALS

**INSTRUCTIONS D'INSTALLATION POUR LAMPE STROBOSCOPIQUE
SUR KLAXONS ET HAUT-PARLEURS**

Address all communications and shipments to:
Dirija todos la correspondencia y envíos a:
Adressez toutes les communiations et expéditions à:



FEDERAL SIGNAL CORPORATION

Electrical Products Division

2645 Federal Signal Drive

University Park, IL 60466-3195

WARNING



MESSAGE

WARNING MESSAGE TO INSTALLERS AND MAINTENANCE PERSONNEL OF HORN-LIGHT SYSTEMS

People's lives depend on your safe installation of our products. It is important to follow all instructions shipped with the products. This device is to be installed by a trained electrician who is thoroughly familiar with the National Electrical Code and will follow the NEC Guidelines as well as local codes.

The selection of the mounting location for the device, its controls and the routing of the wiring is to be accomplished under the direction of the Facilities Engineer and the Safety Engineer. In addition, listed below are some other important safety instructions and precautions you should follow:

- Read and understand all instructions before installing or operating this equipment.
- Failure to follow all safety precautions and instructions may result in property damage or serious injury to you or others.
- This unit should be installed by a qualified electrician in accordance with local electrical and fire codes.
- If the unit is not installed in a supervisory system, it must be tested at regular intervals. Refer to local fire codes for this information.
- After installation, test the light system to ensure that it is operating properly.
- After testing is complete, provide a copy of this instruction sheet to all operating and servicing personnel.
- Disconnect power before any installations are made.
- Establish a procedure to routinely check the light system for proper activation and operation.
- Any maintenance to the light system must be performed by a trained electrician in accordance with NEC Guidelines and local codes.
- The nameplate, which may contain cautionary or other information of importance to maintenance personnel, should NOT be obscured in any way. Ensure that the nameplate remains readable when the housing's exterior is painted.

INSTALLATION INSTRUCTIONS FOR STROBE LIGHT ON HORNS AND SPEAKERS

A. Introduction.

This sheet provides the user with instructions for the installation of Strobe Warning Lights on horns and speakers. All instructions assume that mounting provisions have been completed and electrical power has been routed to the installation site.

The warning light can be weatherproofed by installing the supplied gasket (refer to paragraph E). Also the audible signal or adapter plate should be weatherproofed by using the proper electrical box.

WARNING

High voltages may be present inside the light assembly even though power is not connected. If access to the component board is required (removal or replacement), the capacitor must be discharged by touching a wire to both ends of the Flashtube. Do not attempt to touch or move the assembly until the capacitor has been discharged.

B. Installation on Adapter Plate.

WARNING

- Refer to "Warning Message to Installers" packed with this unit. Also, refer to Introduction and Basic Installation instructions in this instruction sheet before installing device.
- Use only 14 to 18 AWG wire for power connection. Strip no more than 0.25-inch of wire insulation from the ends of the power leads.
 1. Insert bushing (supplied) into adapter plate. Route power leads through the slot in the BCL or SFL Adapter Plate, as shown in figure 1. Snap the front cover of the light off. Route power leads through board assembly as shown in figure 2. Connect the power leads to the terminals of the two position connector by inserting the stripped ends of the wire into the connector as far as they can travel, polarity MUST be observed on DC units. Make sure supply lead insulation is flush with connector. If stranded

wire is used, be sure that there are no loose strands outside the connector plug that could touch the adjacent lead and cause a short circuit. Replace cover on light, lens should snap onto board assembly.

2. Attach the light to the adapter plate, using two of the 8-32 screws and nuts supplied.
3. Attach the adapter plate to the 4-inch electrical box with two 8-32 screws.

C. Installation on 4-Inch Horns.

WARNING

- Refer to “Warning Message to Installers” packed with this unit. Also, refer to Introduction and Basic Installation instructions in this instruction sheet before installing device.
- Use only 14 to 18 AWG wire for power connection. Strip no more than 0.25-inch of wire insulation from the ends of the power leads.
 1. Turn off power to the horn and detach the horn from its mounting location by removing the slotted screws. Disconnect all electrical connections to the horn.
 2. See figure 3A. Using a small blunt tool, such as a pin punch, knock out the slot in the horn housing from the rear. Figure 3A shows the mechanism removed from the horn, for clarity. DO NOT remove the mechanism before knocking out the slot.
 3. Insert the supplied nylon bushing into the slot from the front of the horn, as indicated in figure 3B.

NOTE

In order to properly seat the bushing, excess burrs must be removed from the slot area.

4. Remove the two phillips head screws from the corners of the horn. Retain the screws.
5. Route power leads through the horn and through the nylon bushing. Snap the front cover of the light off. Route power leads through board assembly as shown in figure 2. Connect the power leads to the terminals of the two position connector by inserting the stripped ends of the wire into the connector as far as they can travel, polarity MUST be observed on DC units. Make sure supply lead insulation is flush with connector. If stranded wire is used, be sure that there are no loose strands outside the connector plug that could touch the adjacent lead and cause a short circuit. Replace cover on light, lens should snap onto board assembly.
6. If the horn is to be flush mounted, attach the accessory plate at this time. Position the light so that the wires are directly over the nylon bushing and the wires will not be visible after the light is attached. Attach the light to the horn, using the two screws that were removed in step 4.
7. Connect the light leads following the diagram in figure 4. Insulate all splices.

D. Installation on 4-Inch Speakers.

WARNING

- Refer to “Warning Message to Installers” packed with this unit. Also, refer to Introduction and Basic Installation instructions in this instruction sheet before installing device.
- Use only 14 to 18 AWG wire for power connection. Strip no more than 0.25-inch of wire insulation from the ends of the power leads.
 1. Remove the two phillips head screws from the front of the speaker. Retain the screws.
 2. See figure 5. Using a small pin punch or similar blunt tool, knock out hole “B” from the rear of the speaker, if a two wire light is being installed. If a four wire light is being installed, knock out both holes “A” and “B” from the rear of the speaker. If the speaker is housed in a metal enclosure, use a round file to remove any burrs that may be present. Figure 5 shows a basic 4-inch speaker enclosure containing no parts other than the speaker. However, some 4-inch speaker units do include components in addition to the speaker. DO NOT remove any parts before knocking out the holes indicated in figure 5.
 3. Route power leads through the horn and out of knockout hole “B”, see figure 5. Snap the front cover of the light off. Route power leads through board assembly as shown in figure 6. Connect the power leads to the terminals of the two position connector by inserting the stripped ends of the wire into the connector as far as they can travel, polarity MUST be observed on DC units. Make sure supply lead insulation is flush with connector. If stranded wire is used, be sure that there are no loose strands outside the connector plug that could touch the adjacent lead and cause a short circuit. Replace cover on light, lens should snap onto board assembly.
 4. See figure 7. Connect the leads to the power source. Polarity on AC units does not matter. Insulate all splices.

E. Installation of Gasket.

WARNING

Refer to “Warning Message to Installers” packed with this unit. Also, refer to Introduction and Basic Installation instructions in this instruction sheet before installing device.

The light can be weatherproofed by installing the supplied gasket and mounting on a weatherproof horn/speaker, or by using the BCL plate to mount the strobe on a WB backbox. Slots are provided in the gasket which allow the light wires to pass to the audible device.

The slots can be located by gently pulling on the gasket near the applicable slots (see figure 8). Note that there are four slots in the upper-center of the gasket. These slots should be used when the light is to be installed on a horn or mounting plate. To install, merely run the light wires through the applicable slots and seat the gasket firmly on the light (see figure 8).

Refer to the previously described applicable installation instructions.

F. Strobe Tube Replacement.

Disconnect power from the electrical circuit. Wait five (5) minutes before removing lens. Remove the screws fastening lens to mounting surface. Snap lens off of mounting plate. Carefully remove the burnt out strobe tube, it is best to lift from both sides at once.

Replace the new tube making sure all three pins enter the board connectors applying pressure slowly to ends of tube, preferably the outer leads. Place the outer lens back into position, reinstall referring to appropriate previous installation instruction as necessary.

G. Service.

The Federal factory will service your equipment or provide technical assistance with any problems that cannot be handled locally.

Any units returned to Federal Signal for service, inspection, or repair must be accompanied by a Return Material Authorization. This R.M.A. can be obtained from the local Distributor or Manufacturer’s Representative.

At this time a brief explanation of the service requested, or the nature of the malfunction, should be provided.

Address all communications and shipments to:

FEDERAL SIGNAL CORPORATION
Electrical Products Division
Service Department
2645 Federal Signal Drive
University Park, IL 60466-3195

H. Replacement Parts.

<u>Description</u>	<u>Part Number</u>
Lens, VALS, Clear	K8435D539A-06
Lens, VALS, Amber	K8435D539A
Lens, VALS, Green	K8435D539A-03
Lens, VALS, Red	K8435D539A-07
Lens, VALS, Blue	K8435D539A-08
Strobe Tube	K149128A
Printed Circuit Board Assy, 120VAC	K8435B537B-03
Printed Circuit Board Assy, 240VAC	K8435B537B-04

I. UNDERWRITERS LABORATORIES WARNING EXPLANATION.

“Warning-Not to be used as a visual public mode alarm notification appliance”



WHAT DOES THIS MEAN?

Underwriters Laboratories uses two different standards to investigate and List visual signal appliances. The first UL Standard for Safety is UL1971 - Signaling Devices for the Hearing Impaired. This standard covers visual signaling devices intended for fire alarm systems to alert the hearing impaired. The second UL Standard for Safety is UL1638 - Visual Signaling Appliances-Private Mode Emergency and General Utility Signaling. While this standard may also cover visual signal appliances, it does not include the determination of adequacy relative to alerting hearing-impaired individuals in a fire alarm system.

To prevent misapplication of a visual signal appliance Listed to UL1638, UL determined it is the manufacturer's responsibility to warn the installer in the field and Authority Having Jurisdiction (AHJ) of what would be an inappropriate use of the product. Therefore, manufactures whose products Listed to UL1638 are required by Underwriters Laboratories to bear the warning, *“Warning - Not to be used as a visual public mode alarm notification appliance”*.

“Public Operating Mode” and “Notification Appliance” as defined in the National Fire Alarm Code, NFPA 72 is as follows:

Public Operating Mode - Audible or visible signaling to occupants or inhabitants of the area protected by the fire alarm system.

Notification Appliance - A fire alarm system component such as a bell, horn, speaker, light, or text display that provides audible, tactile, or visible outputs, or any combination thereof.

In other words, this device **should not** be used as a component of a commercial fire alarm system.

MENSAJE DE



ADVERTENCIA

MENSAJE DE ADVERTENCIA PARA INSTALADORES Y PERSONEL DE MANTENIMIENTO DE LOS SISTEMAS LUMINICOS DE BOCINA

Si usted instala nuestros productos con seguridad no pondrá en peligro ninguna vida humana. Es importante cumplir todas las instrucciones enviadas con estos productos. Este dispositivo debe ser instalado por un electricista capacitado que conozca bien las Normas Eléctricas Nacionales y observe las directrices NEC, así como las normas locales.

La selección del sitio de montaje del dispositivo, sus conectores y el enrutamiento de los cables debe hacerse bajo la dirección del Técnico de Instalaciones y el Técnico de Seguridad. Asimismo, a continuación se enumeran otras importantes instrucciones de seguridad y precauciones que deben ser cumplidas:

- Lea y asimile todas las instrucciones antes de instalar o poner a trabajar el equipo.
- El incumplimiento de cualquiera de las precauciones de seguridad e instrucciones podría ocasionar daños a instalaciones, lesiones graves, o la muerte propia o de terceros.
- Esta unidad debe ser instalada por un electricista calificado de acuerdo con las normas eléctricas y contra incendios nacionales y locales.
- Si la unidad no es instalada bajo un sistema de supervisión, la misma deberá ser probada a intervalos regulares. Consulte las normas contra incendios locales para esta información.
- Tras instalarlo, pruebe el sistema lumínico para cerciorarse de está funcionando debidamente.
- Habiendo terminado la prueba, entregue una copia de la presente hoja de instrucciones a todo el personal de operación y mantenimiento.
- Desconecte la energía antes de efectuar instalación alguna.
- Organice un procedimiento para comprobar regularmente la correcta activación y funcionamiento del sistema lumínico.
- El mantenimiento del sistema lumínico tiene que ser realizado por un electricista capacitado de acuerdo con las directrices de NEC y las normas locales.
- La placa del nombre, que puede llevar avisos o información importante para el personal de mantenimiento, NO debe ocultarse de ninguna forma. Cerciórese de que la placa del nombre permanezca legible cuando se pinte el exterior del alojamiento.

INSTRUCCIONES DE INSTALACION PARA LUZ EN BOCINAS Y PARLANTES

A. INTRODUCCION.

Esta hoja proporciona al usuario instrucciones para la instalación de la luz de destello en bocinas y autoparlantes. Estas instrucciones asumen que las provisiones de montaje han sido finalizadas y que el suministro de energía está disponible en el lugar de instalación.

La luz de advertencia puede ser sellada con la junta suministrado para su protección contra la intemperie (ver párrafo E). La señal audible también puede protegerse contra la intemperie si se utiliza la caja de conexiones apropiada.

PREVENCION

Altos voltajes pueden estar presentes en el interior del ensamble de luz aun cuando el suministro de energía esté desconectado. Si se requiere acceso a los componentes del tablero (para remover o reemplazar), el capacitor debe estar descargado por el tocar de un cable a los dos extremos del tubo de destello. No trate de tocar o mover el ensamble hasta que el capacitor ha sido descargado.

B. Instalación en la Placa Adaptador.

PREVENCION

- Vea el "Mensaje de precaución para los instaladores" incluido con esta unidad. También vea la introducción y las instrucciones de instalación antes de instalar este aparato
- Utilice cable de 14 a 18 AWG para las conexiones de energía eléctrica. Remueva el aislamiento de los extremos de los cables pero no más que 0,25".
 1. Inserte el casquillo (adjunto) en la plata del adaptador. Conduzca los cables de alimentación a través de la ranura de la Placa Adaptadora BCL o SFL como se muestra en el diagrama 1. Quite la cubierta frontal de la luz. Conduzca los cables de alimentación a través del conjunto del tablero como se muestra en el

Diagrama 2. Conecte los cables a las terminales del conector de dos posiciones insertando los extremos rayados del cable en el conector hasta su máximo alcance, DEBE prestar atención a la polaridad de las unidades CC. Asegúrese de que el aislamiento coincide con el conector. Si se utilizan cables trenzados, compruebe que no quedan hilos sueltos fuera del enchufe del conector que puedan tocar el cable adyacente y producir un cortocircuito. Coloque la cubierta sobre la luz, la lente debe encajar en el conjunto del tablero.

2. Instale la luz a la placa adaptadora, utilizando dos tornillos de 8-32 y tuercas suministradas
3. Instale la placa adaptadora a la caja de conexiones eléctricas por el usar de dos tornillos de 8-32.

C. Instalación de Bocinas de 4 Pulgadas.

PREVENCION

- Vea el “Mensaje de prevención para los instaladores” incluido con esta unidad. También vea la introducción y las instrucciones de instalación antes de instalar este aparato.
- Utilice cable de 14 a 18 AWG para las conexiones de energía eléctrica. Remueva no más que 0,25" del aislamiento de los extremos de los cables.

1. Apague el suministro de energía de la bocina y sepárela de su montaje, removiendo los tornillos para sacar la bocina. Saca todas las conexiones eléctricas a la bocina.
2. Vea diagrama 3A. Por el trabajar con herramienta embotada y pequeña (como punzón) empuja la tabilla del fondo de la bocina. Diagrama 3A muestra el mecanismo sacado de la bocina para aclararlo. NO-SACA el mecanismo antes del sacar de la tabilla.
3. Inserte el buje de nilón suministrado en la ranura del frente de la bocina, como se indica en diagrama 3B.

NOTA

Remueva cualquier exceso de rebaba del área ranurada, para colocar correctamente el buje.

4. Remueva los dos tornillos de cabeza crezada de la esquinas de las bocinas. Conserve los tornillos.
5. Pase los hilos de potencia a traves de la sirena y a traves del buje de nilón. Saque la capa de enfrente de la luz. Pase los hilos de poder por el aparato de la tarjeta impresa como indica diagrama 2. Conecte los hilos de potencia a los terminales del conector de dos posiciones, introduciendo la parte desnuda del hilo dentro del conector lo mas profundo que se pueda. Polaridad TIENE que ser observado en unidades de tipo DC. Asegure que el aislamiento del hilo de alimentacion esta al ras con el conector. Si esta usando cable trenzado, asegure que no haya hilos sueltos fuera del enchufe conector que podrian tocar el hilo de poder contiguo y causar un corta circuito. Reemplace la capa de la luz, el foco debe conectarse en el aparato de la tarjeta impresa.
6. Si la bocina está montada al ras, instale la placa accesorio. Coloque la luz de tal manera que los cables están directamente sobre el buje de nylon que los cables no serán visibles después que se instale la luz. Instale la luz a la bocina, utilizando los dos tornillos removidos en el paso 4.
7. Conecte los cables de luz siguiendo el diagrama. Aisle las conexiones de los cables.

D. Instalacion en Autoparlantes de 4 Pulgadas.

PREVENCION

- Vea el “Mensaje de prevencion para los instaladores” incluido con esta unidad. También vea la introducción y las instrucciones de instalación antes de instalar este aparato
- Utilice cable de 14 a 18 AWG para las conexiones de energía eléctrica. Remueva no más que 0,25 pulgadas del aislamiento de los extremos de los cables.

1. Remueva los dos tornillos del frente de el aut parlante. Conserve los tornillos.
2. Vea al diagrama 5. Utilizando un punzón remueva la cubierta ciega del agujero “B” que se encuentra en la parte trasera del aut parlante. Si va a instalar una luz de cuatro cables, remueva la cubierta ciega de ambos agujeros “A” y “B” de la parte trasera del aut parlante. Si el aut parlante se ensambla en una caja de metal use una lima redonda para remover cualquier rebaba que pudiera estar presente. El diagrama 5 muestra el aut parlante básico de 4" que no contiene otras partes, sino el aut parlante mismo. Sin embargo algunas unidades incluyen componentes adicionales a el aut parlante. No remueva ninguna de las partes, antes de remover las cubiertas ciegas indicadas en el diagrama 5.
3. Pase los hilos de potencia a traves de la sirena para que salgan del agujero B (vea diagrama 5). Saque la capa de enfrente de la luz. Pase los hilos de poder a traves del aparato de la tarjeta impresa como indica el diagrama 6. Conecte los hilos de potencia a los terminales del conector de dos posiciones, introduciendo la parte desnuda del hilo dentro del conector lo mas profundo que se pueda. Polaridad

TIENE que ser observado en unidades de tipo DC. Asegure que el aislamiento del hilo de alimentación está al ras con el conector. Si está usando cable trenzado, asegure que no haya hilos sueltos fuera del enchufe conector que podrían tocar el hilo de poder contiguo y causar un corta circuito. Reemplaze la capa de la luz, el foco debe conectarse en el aparato de la tarjeta impresa.

4. Vea diagrama 7. Conecte los hilos a la fuente de potencia. Polaridad no es importante en unidades de tipo AC. Aisle todos los empalmes.

E. Instalación de la Empaquetadura.

PREVENCION

Vea el "Mensaje de prevención para los instaladores" incluido con esta unidad. También vea la introducción y las instrucciones de instalación básicas que se encontro en esta hoja antes de instalar este aparato.

La luz puede ser protegida contra la intemperie si se instala el empaque suministrado con la bocina / autoparlante, o usando una placa BCL para montar la unidad de destello en una caja WB. Las ranuras del empaque permiten el paso de los cables de luz en el aparato audible. Observe que existen 4 ranuras en la parte superior del empaque. Estas ranuras deben ser usadas cuando se instale la luz en la bocina o la placa de montaje. Instale los cables a través de las ranuras del empaque (vea diagrama 8) y coloque el empaque firmante en la luz

Vea las instrucciones de instalación previamente descritas.

F. Reemplazo del Tubo de Destello.

Desconecte el suministro de energía del circuito eléctrico. Espere (5) minutos antes de remover el lente. Remueva los tornillos de sujeción del lente. Remueva los lentes de la placa de montaje. Cuidadosamente remueva el tubo quemado de la luz de destello, es mejor que lo levante de ambos extremos al mismo tiempo. Instale el tubo de destello nuevo, asegúrese que las tres clavijas entran en los conectores del tablero. Aplique presión lentamente sobre los extremos del tubo. Coloque el lente de regreso en su posición. Vea las instrucciones de instalación previas, para una instalación adecuada.

G. Servicio.

La fábrica de Federal dará servicio al equipo o proporcionará asistencia técnica en cualquier problema que no pueda ser manejado localmente.

Cualquiera unidad que sea devuelta para servicio, inspección o reparación debe estar acompañada con una forma de autorización de devolución. Esta forma puede ser obtenida del distribuidor local o un representante de fábrica.

La forma deberá proporcionar una descripción breve de los servicios solicitados o de la naturaleza de la falla.

Envíe todas sus comunicaciones y embarques a la siguiente dirección:

FEDERAL SIGNAL CORPORATION

Electrical Products Division
Service Department
2645 Federal Signal Drive
University Park, IL 60466-3195

H. Partes de Repuesto.

<u>Descripción</u>	<u>Numero de Parte</u>
Lente, VALS, Transparente	K8435D539A-06
Lente, VALS, Ambar	K8435D539A
Lente, VALS, Verde	K8435D539A-03
Lente, VALS, Rojo	K8435D539A-07
Lentes, VALS, Azul	K8435D539A-08
Tubo de destello	K149128A
Ensamble del tablero, 120V CA	K8435B537B-03
Ensamble del tablero, 240V CA	K8435B537B-04

I. EXPLICACIÓN DE ADVERTENCIA DE UNDERWRITERS LABORATORIES.

“Advertencia-No debe usarse como un aparato de notificación de alarma visual en modo público”



¿QUÉ SIGNIFICA ESTO?

Underwriters Laboratories usa dos normas diferentes para investigar y listar aparatos de señalización visual. La primera norma UL para seguridad es la UL1971 - Dispositivos de señalización para personas con discapacidad auditiva. Esta norma cubre dispositivos de señalización visual diseñados para sistemas de alarma de incendio para alertar a personas con discapacidad auditiva. La segunda norma UL para seguridad es la UL1638 - Aparatos de señalización visual-Emergencia en modo privado y Señalización de utilidad general. Aunque esta norma también puede cubrir aparatos de señalización visual, no incluye la determinación de la idoneidad en relación con la puesta en alerta a personas con discapacidad auditiva en un sistema de alarma de incendio.

Para evitar la mala aplicación de un aparato de señalización visual listado en UL1638, UL decidió que es responsabilidad del fabricante advertir al instalador en el campo y a la autoridad competente lo que sería un uso inapropiado del producto. En consecuencia, Underwriters Laboratories requiere que los fabricantes cuyos productos estén listados en UL1638, incluyan el aviso, “Advertencia - No debe usarse como un aparato de notificación de alarma visual en modo público”.

Las definiciones de “Modo de operación pública” y “Aparato de notificación” de acuerdo con el Código Nacional de alarmas de incendio, NFPA 72, son las siguientes:

Modo de operación pública - Señalización audible o visual para los ocupantes o habitantes del área protegida por el sistema de alarma de incendio.

Aparato de notificación - Componente de un sistema de alarma de incendio como una campana, una bocina, un altavoz, una luz, o una pantalla de texto, que proporciona una salida auditiva, táctil, o visible, o cualquier combinación de los mismos.

En otras palabras, este dispositivo **no debería** usarse como componente de un sistema comercial de alarma de incendio.

MESSAGE



D'AVERTISSEMENT

MESSAGE D'AVERTISSEMENT DESTINE AUX INSTALLATEURS ET AU PERSONNEL D'ENTRETIEN DES SYSTEMES A SIRENE-VOYANT

Des vies humaines dépendent de l'installation sûre de nos produits par vos soins. Il est important de suivre toutes les consignes livrées avec ce produit. Ce dispositif doit être installé par un électricien qualifié qui connaît bien la réglementation concernant les installations électriques et la protection contre l'incendie en vigueur sur le lieu de installation.

Le choix de l'emplacement de montage de ce dispositif, de ses commandes et de l'acheminement des câbles doit être effectué sous la direction d'un ingénieur des aménagements et d'un ingénieur chargé de la sécurité. De plus, on trouvera ci-dessous quelques autres consignes et mesures de sécurité importantes qu'il faut respecter:

- Avant d'installer ou de faire fonctionner ce matériel, lire et comprendre toutes les consignes.
- Le non respect des consignes et des mesures de sécurité peut entraîner des dégâts matériels et des dommages corporels graves.
- Ce dispositif doit être installé par un électricien qualifié, conformément à la réglementation concernant les installations électriques et la protection contre l'incendie en vigueur sur le lieu de l'installation.
- Si ce dispositif ne fait pas partie d'un système de commande à rétrosignalisation, il doit être testé à intervalles réguliers. Se reporter à la réglementation concernant la protection contre l'incendie en vigueur sur lieu de l'installation.
- Après l'installation, tester le système d'éclairage pour vérifier qu'il fonctionne correctement.
- Une fois les essais terminés, un exemplaire de cette fiche de consignes doit être fourni à toutes les personnes chargées de l'exploitation et de l'entretien de ce dispositif.
- Avant de commencer l'installation, couper le courant.
- Etablir un calendrier pour vérifier régulièrement que le système d'éclairage se déclenche et fonctionne correctement.
- Toute opération d'entretien de ce dispositif DOIT être effectuée par un électricien qualifié, conformément à la réglementation en vigueur.
- La plaque signalétique sur laquelle se trouvent des précautions ou des informations importantes pour le personnel d'entretien NE doit JAMAIS être masquée de quelque façon que ce soit. Veiller à ce que la plaque signalétique reste visible lorsque l'extérieur du boîtier est repeint.

INSTRUCTIONS D'INSTALLATION POUR LAMPE STROBOSCOPIQUE SUR KLAXONS ET HAUT-PARLEURS

A. Introduction

Cette fiche donne à l'utilisateur des instructions sur l'installation de lampe stroboscopique de signalisation sur klaxons et haut-parleurs. Toutes les instructions supposent que les dispositions de montage ont été accomplies et que l'alimentation électrique a été passée jusqu'au site d'installation.

La lampe de signalisation peut être rendue étanche aux intempéries en installant le joint fourni (voir paragraphe E). De plus, le signal audible ou la plaque d'adaptateur doivent être rendus étanches aux intempéries à l'aide d'un boîtier électrique approprié.

AVERTISSEMENT

Des tensions élevées peuvent être présentes à l'intérieur de l'ensemble de la lampe même si la tension n'est pas connectée. S'il est nécessaire d'accéder à la carte des composants (retrait ou remplacement), le condensateur doit être déchargé en touchant un fil aux deux extrémités du tube. Ne pas essayer de toucher ou de déplacer l'ensemble avant que le condensateur ait été déchargé.

B. Installation sur Plaque Adaptateur.

AVERTISSEMENT

- Voir le "message d'avertissement aux installateurs" emballé avec cet appareil. Se référer aussi à l'introduction et aux instructions de base d'installation dans cette fiche d'instructions avant d'installer le dispositif.
- N'utilisez que du fil de 14 à 18 AWG pour connecter l'alimentation. Dénudez au maximum 6 mm de l'isolation du fil aux deux extrémités des câbles d'alimentation.
 1. Insérer la douille (fournie) dans la plaque adaptatrice. Faire acheminer les câbles de puissance à travers les fentes dans la Plaque Adaptatrice BCL ou SFL comme cela est montré sur la Figure 1. Détacher le

couvercle avant du signal lumineux en le déclinquant. Faire acheminer les câbles de puissance à travers l'ensemble de la carte comme cela est montré sur la Figure 2. Connecter les câbles de puissance sur les bornes du connecteur à deux positions en insérant aussi loin que possible les extrémités dénudées du fil dans le connecteur. La polarité DOIT être respectée sur les unités en Courant Continu. S'assurer que l'isolation du câble d'alimentation est de niveau (effleurement) avec le connecteur. Si un fil torsadé est utilisé, s'assurer qu'il n'y a pas de brin libre à l'extérieur de la prise du connecteur qui pourrait toucher un fil adjacent et provoquer un court-circuit. Remplacer le couvercle sur le signal lumineux, la lentille doit être encliquetée dans l'ensemble de la carte.

2. Fixez la lampe sur la plaque adaptateur à l'aide de deux des vis 8-32 et des écrous fournis.
3. Fixez la plaque adaptateur au boîtier électrique de 4" avec 2 vis 8-32.

C. Installation sur Klaxons de 4".

AVERTISSEMENT

- Voir le "message d'avertissement aux installateurs" emballé avec cet appareil. Se référer aussi à l'introduction et aux instructions de base d'installation dans cette fiche d'instructions avant d'installer le dispositif.
- N'utilisez que du fil de 14 à 18 AWG pour connecter l'alimentation. Dénudez au maximum 1/4" de l'isolation du fil aux deux extrémités des câbles d'alimentation.
 1. Coupez l'alimentation au klaxon et détachez le klaxon de sa position de montage en retirant les vis fendues. Déconnectez toutes les connexions électriques au klaxon.
 2. Voir figure 3A. A l'aide d'un petit outil pointu, comme un chasse-goupille, tapez, pour sortir, la fente dans le logement de klaxon par l'arrière. La figure 3A illustre le mécanisme retiré du klaxon pour plus de clarté. NE PAS sortir le mécanisme avant de repousser la fente.
 3. Insérez la douille en Nylon fournie dans la fente par l'avant du klaxon comme indiqué sur la figure 3B.

NOTE

Pour correctement asseoir la douille, toutes bavures excessives doivent être éliminées de la zone de la fente.

4. Retirez les deux vis cruciformes des angles du klaxon. Gardez les vis.
5. Faites passer les câbles d'alimentation par le klaxon et par la douille en Nylon. Dégagez le couvercle avant de la lampe. Faites passer les câbles d'alimentation à travers l'ensemble de carte comme indiqué sur la figure 2. Connectez les câbles d'alimentation aux bornes du connecteur à deux positions en insérant les extrémités dénudées du fil dans le connecteur aussi loin que possible; la polarité DOIT être respectée sur les appareils à courant continu. Assurez-vous que l'isolation du câble d'alimentation est à ras du connecteur. Si du fil torsadé est utilisé, assurez-vous qu'il n'y a pas de fil libre en dehors de la prise du connecteur qui pourrait toucher le câble adjacent et causer un court-circuit. Remettez en place le couvercle sur la lampe, l'écran doit s'encliqueter sur l'ensemble de carte.
6. Si le klaxon doit être monté encastré, fixez la plaque accessoire à cette étape. Positionnez la lampe de manière que les fils soient directement au-dessus de la douille en Nylon et que les fils ne soient pas visibles une fois que la lampe est fixée. Attachez la lampe au klaxon, à l'aide des deux vis qui ont été retirées à l'étape 4.
7. Connectez les câbles d'éclairage en suivant le schéma de la figure 4. Isolez toutes les épissures.

D. Installation sur Haut-Parleurs de 4".

AVERTISSEMENT

- Voir le "message d'avertissement aux installateurs" emballé avec cet appareil. Se référer aussi à l'introduction et aux instructions de base d'installation dans cette fiche d'instructions avant d'installer le dispositif.
- N'utilisez que du fil de 14 à 18 AWG pour connecter l'alimentation. Dénudez au maximum 1/4" de l'isolation du fil aux deux extrémités des câbles d'alimentation.
 1. Retirez les deux vis à tête cruciforme de l'avant du haut-parleur. Gardez les vis.
 2. Voir figure 5. A l'aide d'un petit chasse-goupille ou d'un outil pointu semblable, sortez le trou B de l'arrière du haut-parleur, si une lampe à 2 fils est en cours d'installation. Si une lampe à 4 fils est en cours d'installation, sortez les deux trous A et B de l'arrière du haut-parleur. Si le haut-parleur est logé dans une enceinte métallique, utilisez une lime ronde pour éliminer toutes bavures qui puissent être présentes. La figure 5 montre une enceinte de base de haut-parleur de 4" ne contenant aucune pièce autre que le haut-parleur. Cependant, certains haut-parleurs de 4" ne comprennent pas de composants en supplément du haut-parleur. NE PAS sortir des pièces avant de sortir les trous indiqués à la figure 5.

3. Passez les câbles d'alimentation à travers le klaxon et en sortant du trou B (figure 5). Décochez le couvercle avant de la lampe. Faites passer les câbles d'alimentation à travers l'ensemble de carte comme indiqué sur la figure 6. Connectez les câbles d'alimentation aux bornes du connecteur à deux positions en insérant les extrémités dénudées du fil dans le connecteur aussi loin que possible. La polarité DOIT être respectée sur les appareils en courant continu. Assurez-vous que l'isolation du câble d'alimentation est à ras du connecteur. Si du fil torsadé est utilisé, assurez-vous qu'il n'y a pas de fil libre en dehors de la prise du connecteur qui pourrait toucher le câble adjacent et causer un court-circuit. Remettez en place le couvercle sur la lampe, l'écran doit s'encliqueter sur l'ensemble de carte.
4. Voir figure 7. Connectez les câbles à la source d'alimentation. La polarité sur les appareils en courant alternatif n'a pas d'importance. Isolez toutes les épissures.

E. Installation du Joint.

AVERTISSEMENT

Voir le "message d'avertissement aux installateurs" emballé avec cet appareil. Se référer aussi à l'introduction et aux instructions de base d'installation dans cette fiche d'instructions avant d'installer le dispositif.

La lampe peut être rendue étanche aux intempéries en installant le joint fourni et en montant un klaxon/haut-parleur résistant aux intempéries, ou en utilisant la plaque BCL pour monter le tube stroboscopique sur un boîtier WB. Des fentes sont prévues dans le joint, permettant au fil de lampe de passer jusqu'au dispositif sonore. Les fentes peuvent être positionnées en tirant doucement sur le joint près des fentes applicables (voir figure 8). Noter qu'il y a quatre fentes dans le centre supérieur du joint. Ces fentes doivent être utilisées lorsque la lampe doit être installée sur un klaxon ou une plaque de montage. Pour installer, faites passer simplement les fils de lampe à travers les fentes applicables et asseyez le joint fermement sur la lampe (voir figure 8). Référez-vous aux instructions d'installation applicables précédemment décrites.

F. Remplacement du Tube Stroboscopique.

Déconnectez l'alimentation du circuit électrique. Attendez 5 minutes avant de retirer l'écran. Retirez les vis fixant l'écran à la surface de montage. Décochez l'écran de la plaque de montage. Remettez soigneusement le tube claqué; il est préférable de lever par les deux côtés à la fois. Mettez en place le nouveau tube en s'assurant que les trois broches entrent dans les connecteurs de carte en appuyant doucement sur les extrémités du tube, de préférence sur les câbles extérieurs. Remettez en place l'écran extérieur, réinstallez en se référant si nécessaire aux instructions d'installation appropriées précédentes.

G. Service.

Federal Signal s'occupe du service de votre matériel ou fournit une assistance technique pour tout problème qui ne peut être traité localement.

Toutes les unités renvoyées à Federal Service pour service, inspection ou réparation doivent être accompagnées d'une autorisation de retour de matériel. Cette autorisation (RMA) peut être obtenue auprès du distributeur local ou des représentants du fabricant.

A ce moment, une courte explication du service demandé, ou la nature du mauvais fonctionnement doit être donnée.

Adressez toutes les communications et expéditions à:

FEDERAL SIGNAL CORPORATION
 Electrical Products Division
 Service Department
 2645 Federal Signal Drive
 University Park, IL 60466-3195

H. Pieces de Rechange.

<u>Description</u>	<u>Référence de pièce</u>
Ecran, VALS, incolore	K8435D539A-06
Ecran, VALS, ambre	K8435D539A
Ecran, VALS, vert	K8435D539A-03
Ecran, VALS, rouge	K8435D539A-07
Lentille, VALS, Bleue	K8435D539A-08
Tube stroboscopique	K149128A
Ensemble de carté à circuit imprimé, 120V CA	K8435B537A-03
Ensemble de carté à circuit imprimé, 240V CA	K8435B537A-04

I. EXPLICATION DE L'AVERTISSEMENT DE UNDERWRITERS LABORATORIES.

“Avertissement-Ne pas utiliser comme appareil de signal d’alarme mode public visuel”



QUE VEUT DIRE CECI ?

Underwriters Laboratories utilise deux normes différentes pour examiner et lister les appareils de signaux visuels. La première Norme UL pour la Sécurité est l’UL1971 – Dispositifs de Signaux pour les Malentendants. Cette norme couvre les dispositifs de signaux visuels que comportent les systèmes d’alarme d’incendie pour alerter les malentendants. La deuxième Norme UL pour la Sécurité est l’UL1638 – Appareils de Signaux Visuels-Signaux d’Urgence Mode Privé et d’Usage Général. Bien que cette norme puisse aussi couvrir les appareils de signaux visuels, elle n’inclut pas l’établissement d’une conception adéquate pour alerter les personnes malentendantes avec un système d’alarme d’incendie.

Pour éviter l’utilisation erronée d’un appareil de signaux visuels listé sous UL1638, l’UL stipule qu’il incombe au fabricant d’avertir l’installateur sur le site et l’Instance de Juridiction Compétente (Authority Having Jurisdiction) (AHJ) sur ce que serait une utilisation non appropriée du produit. En conséquence, les fabrications dont les produits sont listés sous UL1638 sont tenue par Underwriters Laboratories de porter l’avertissement, “*Avertissement –Ne pas utiliser comme appareil de signal d’alarme mode public visuel*”.

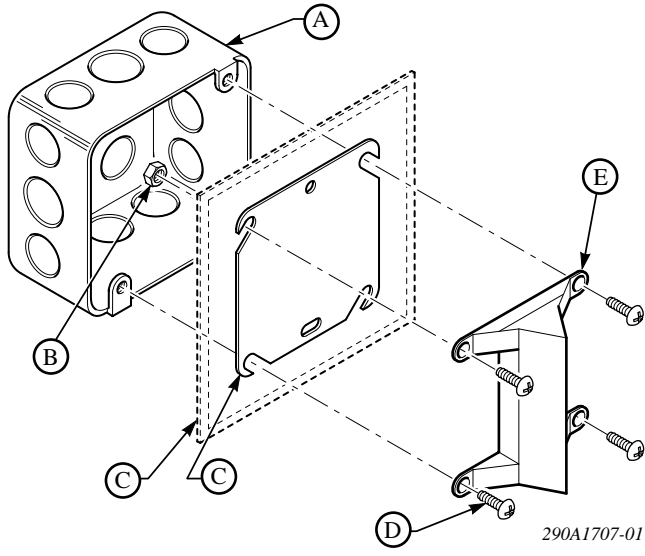
“Mode Opérateur Public” et “Appareil de Signal” sont définis dans le Code National d’Alarme d’Incendie, NFPA 72, comme suit :

Mode Opérateur Public – Signal audible ou visible pour les occupants ou habitants de la zone protégée par le système d’alarme d’incendie.

Appareil de Signal – Un composant de système d’alarme d’incendie tel qu’une sonnerie, une sirène, un haut-parleur, un voyant ou un affichage de texte émettant des signaux audibles, tactiles ou visibles, ou leur combinaison.

En d’autres termes, ce dispositif ne doit pas être utilisé comme composant d’un système d’alarme d’incendie commercial.

I



290A1707-01

English

- A. 4" electrical box
- B. #8-32 nuts (2)
- C. SFL plate or BCL plate as required
- D. #8-32 screws (4)
- E. Light

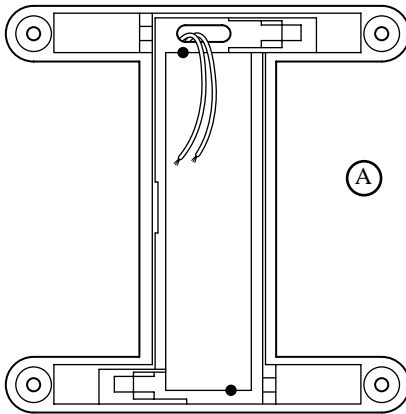
Español

- A. 4" caja eléctrica
- B. #8-32 tuercas (2)
- C. Placa SFL o BCL como convenga
- D. #8-32 tornillos (4)
- E. Luz

Français

- A. Boitier électrique 4"
- B. Ecrous (2) #8-32
- C. Plaque SFL ou plaque BSL selon besoin
- D. Vis (4) #8-32
- E. Lampe

2



290A2558-04

English

- A. Back view
- B. up
- C. Mounting position

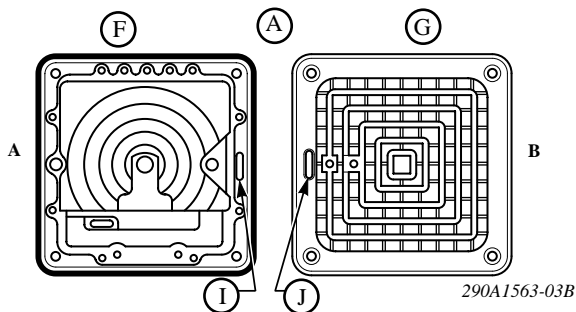
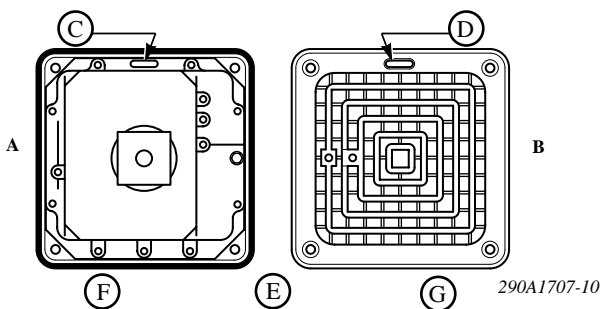
Español

- A. Vista posterior
- B. Arriba
- C. Posición de montaje

Français

- A. Vue arrière
- B. Haut
- C. Position de montage

3



English

- C. Knock-out
- D. Insert bushing
- E. AC horn
- F. Back

- G. Front
- H. DC horn
- I. Knock-out
- J. Insert bushing

Español

- C. Pieza desmontable
- D. Inserte el manguito
- E. Bocina CA
- F. Posterior

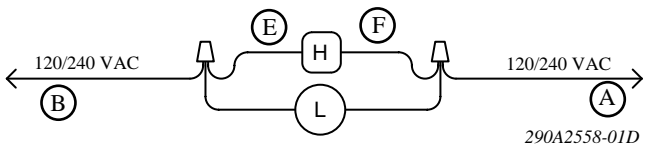
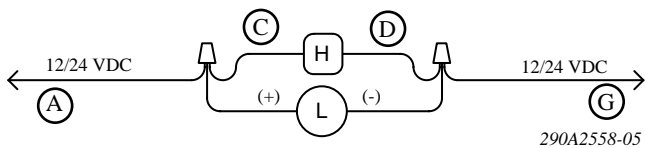
- G. Vista del
- H. Bocina CC
- I. Pieza desmontable
- J. Inserte el manguito

Français

- C. Decoupage
- D. Insérer douille
- E. Klaxon CA
- F. Arrière

- G. Avant
- H. Klaxon CC
- I. Ejection
- J. Douille insérer

4



English

- A. Positive (+)
- B. Phase
- C. Red
- D. Black

- E. Black
- F. White
- G. Negative (-)
- H. Common

Español

- A. Positivo (+)
- B. Fásico
- C. Rojo
- D. Negro

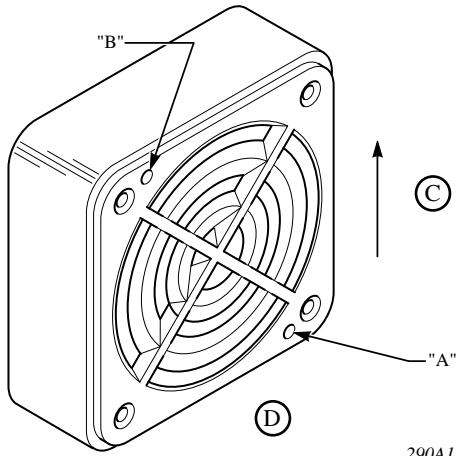
- E. Negro
- F. Blanco
- G. Negativo (-)
- H. Común

Français

- A. Positif (+)
- B. Phase
- C. Rouge
- D. Noir

- E. Noir
- F. Blanc
- G. Négatif (-)
- H. Commun

5



290A1563-08C

English

- C. Up mounting position
- D. Surface mount

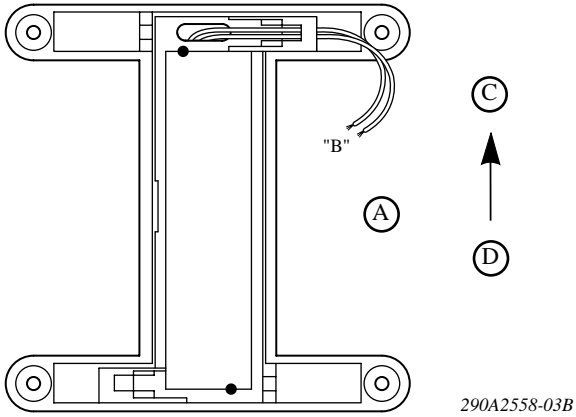
Español

- C. Posición de montaje hacia arriba
- D. Montaje en superficie

Français

- C. Position de montage debout
- D. Montage en surface

6



English

- A. Back view
- C. Up
- D. Mounting position

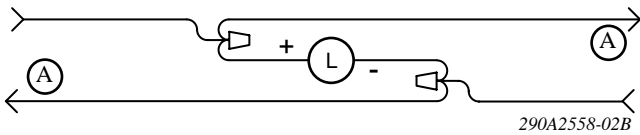
Español

- A. Vista posterior
- C. Arriba
- D. POsición de montaje

Français

- A. Vista posterior
- C. Haut
- D. Vue arriere position de montage debout

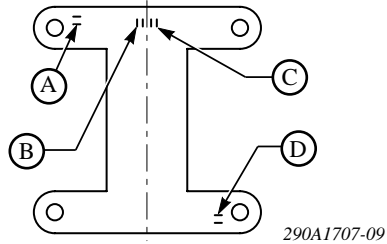
7



- English**
A. Power

- Español**
A. Alimentación

- Français**
A. Alimentation



English

- A. NOTE: Use for two and four speakers only.
- B. Knife slots 3/32" long, typical 8 places.
- C. NOTE:-Use for horns and mounting plate.
- D. NOTE:-Use for four wire speakers only.

Español

- A. NOTA: Usar para altavoces de dos y cuatro cables únicamente
- B. Ranuras de 3/32" de largo, 8 lugares usuales.
- C. NOTA: Usar para bocinas y placa de montaje.
- D. NOTA: Usar para altavoces de cuatro cables únicamente.

Français

- A. NOTA: N'utiliser que pour les haut-parleurs a deux et quatre fils.
- B. Fentes-couteur longueur 3/32" typiquement a 8 endroits.
- C. NOTA: Utiliser pour les klaxons et la plaque de montage
- D. NOTA: N'utiliser que pour les haut-parleurs a quatre fils.