

NAME: 100006199 OBJECT: 2T_CAPACITOR_ASM DATE: 30-Jul-08 14:05:24

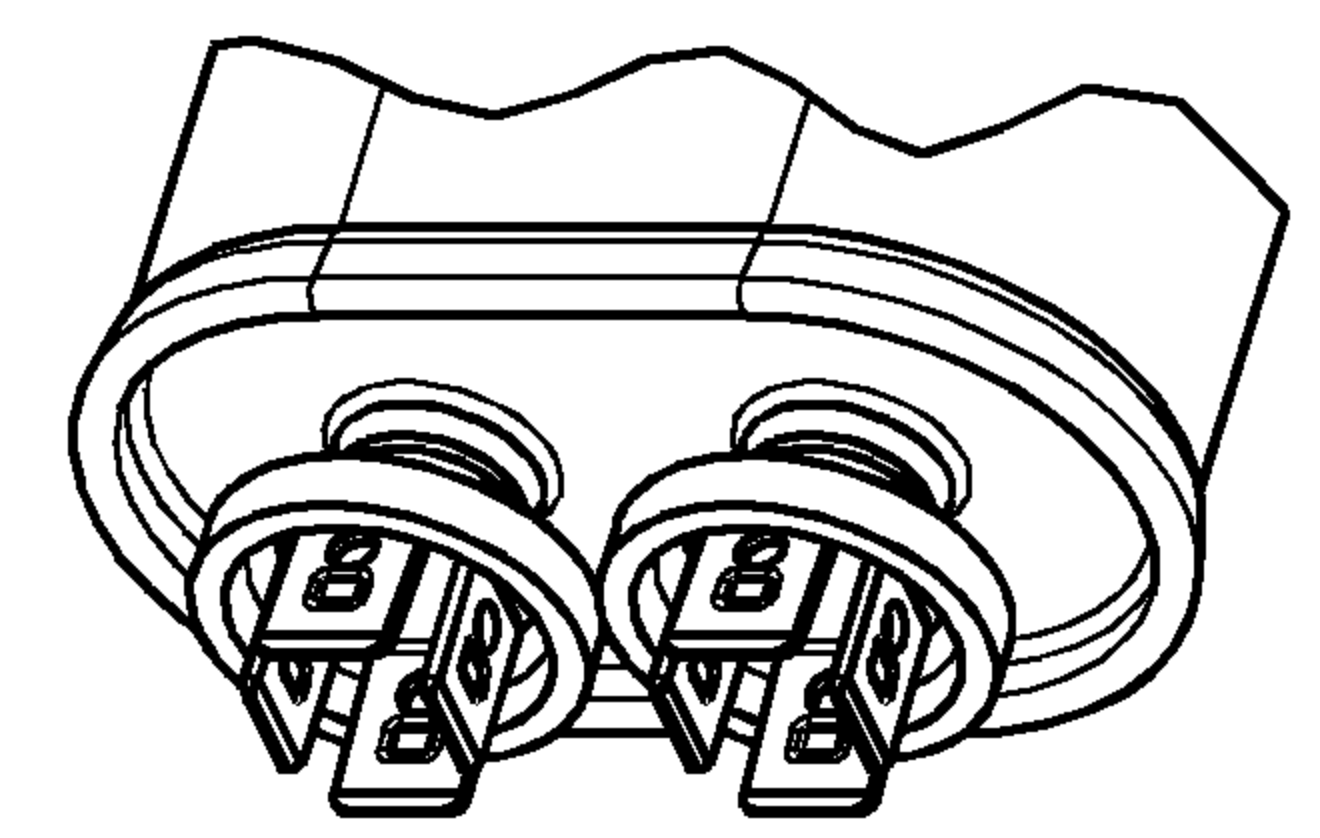
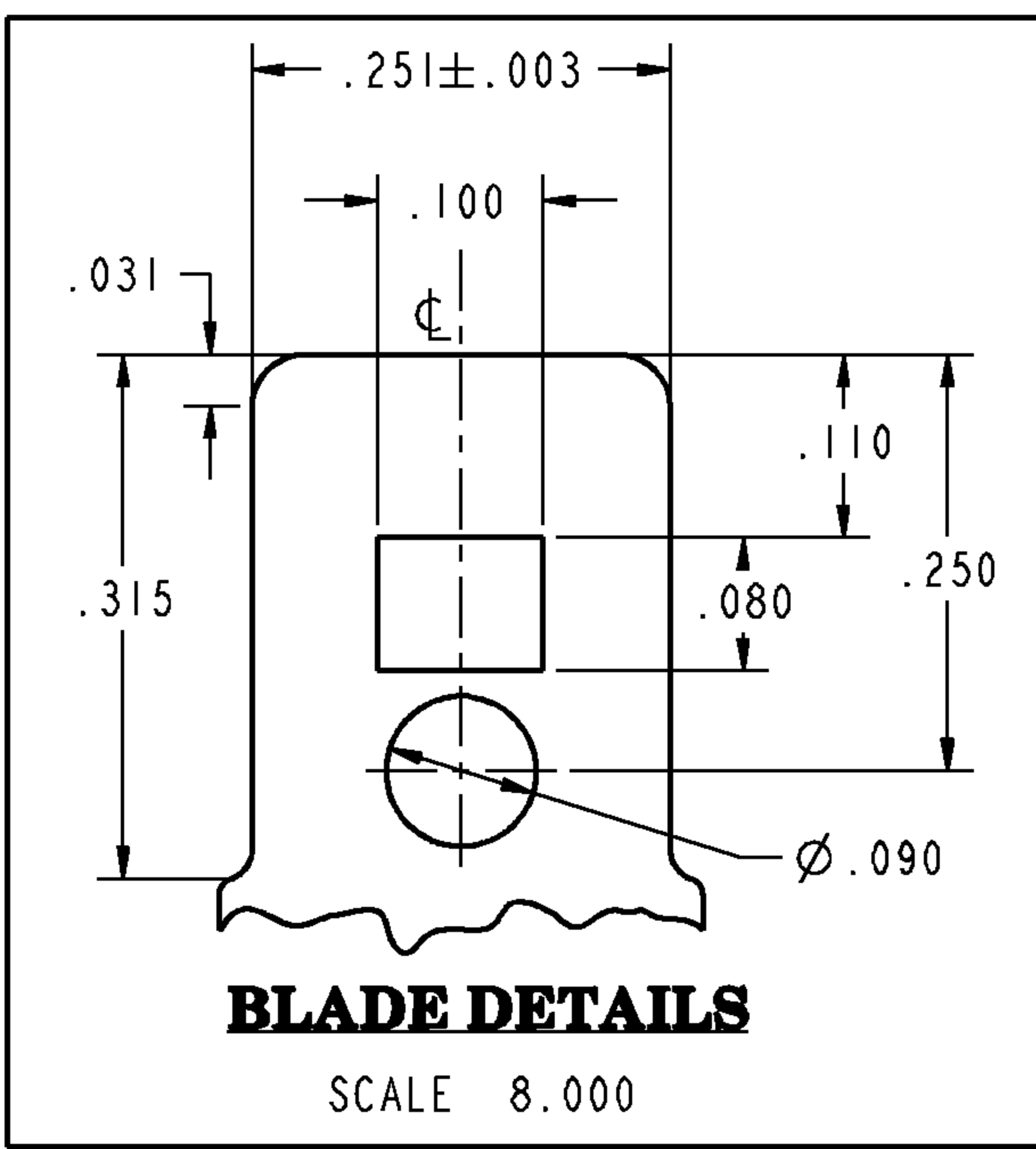
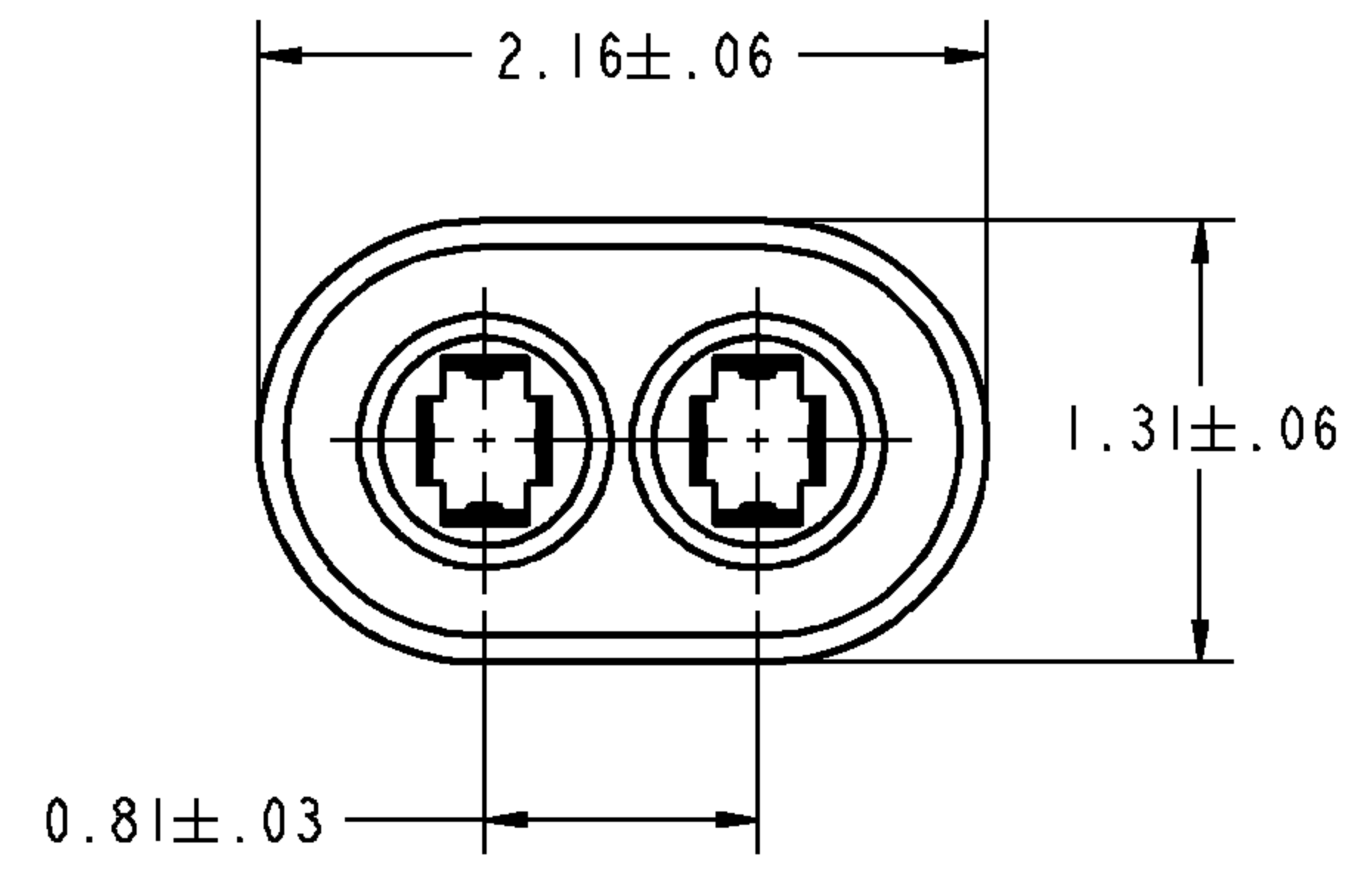
14

13

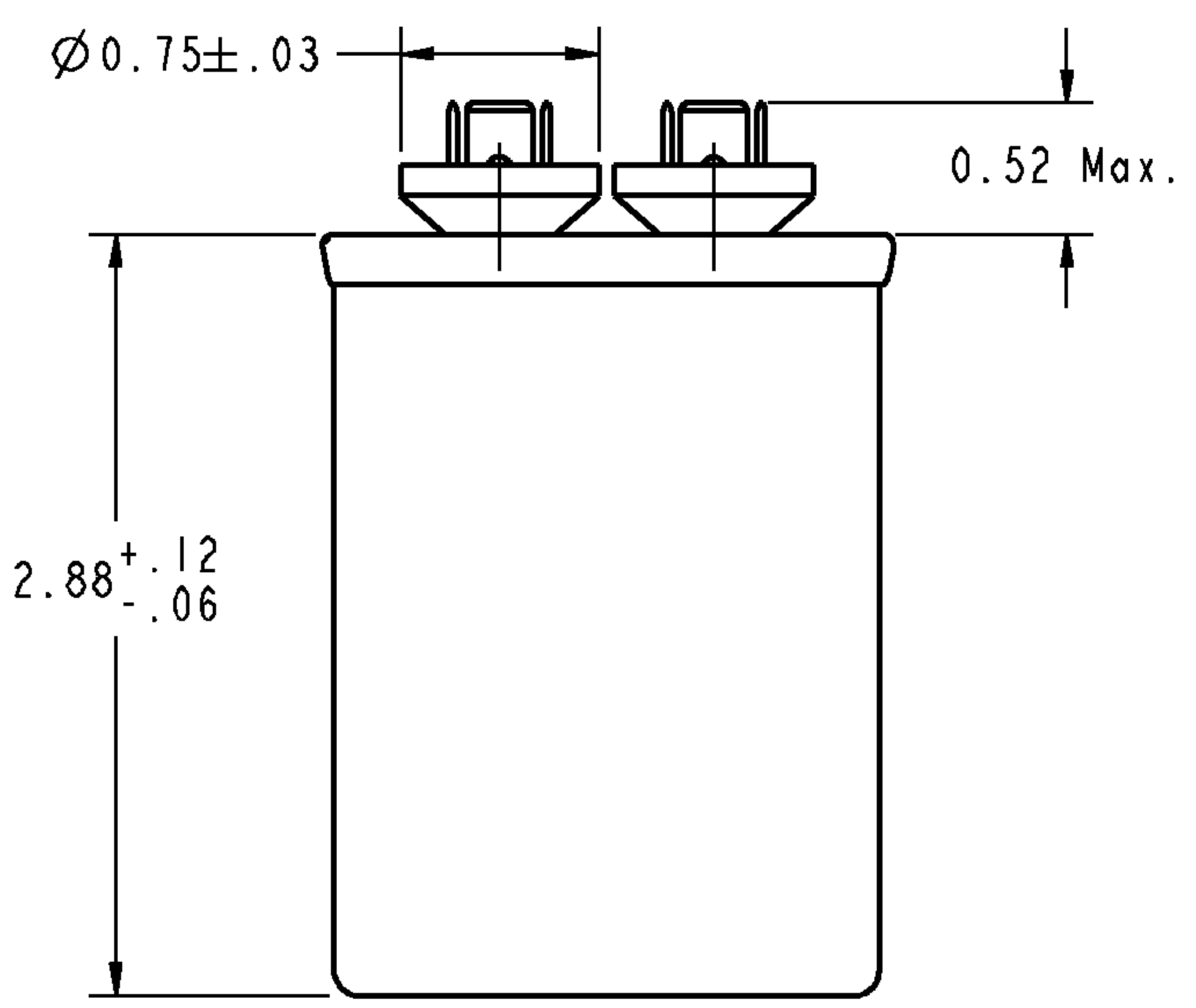
12

RBC PROPRIETARY AND CONFIDENTIAL INFORMATION
 This document is the property of REGAL BELOIT CORPORATION ("RBC") including its subsidiaries and divisions and contains proprietary information of RBC. This document is loaned on the express condition that neither it nor the information contained therein shall be disclosed to others without the express written consent of RBC, and that the information shall be used by the recipient only as approved expressly by RBC. This document shall be returned to RBC upon its request. This document may be subject to certain restrictions under U.S. export control laws and regulations.

REVISIONS			
REV.	DESCRIPTION	DATE	APPROVED
1	Modified as per ECN No. 0627	11/11/05	HV
2	Modified as per ECN No. 0668 & 0673	7/18/08	HV



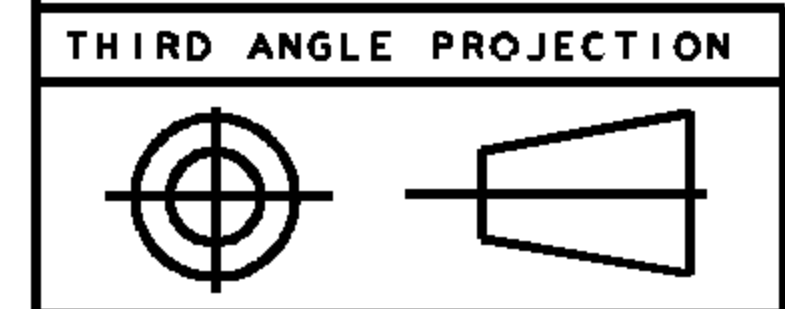
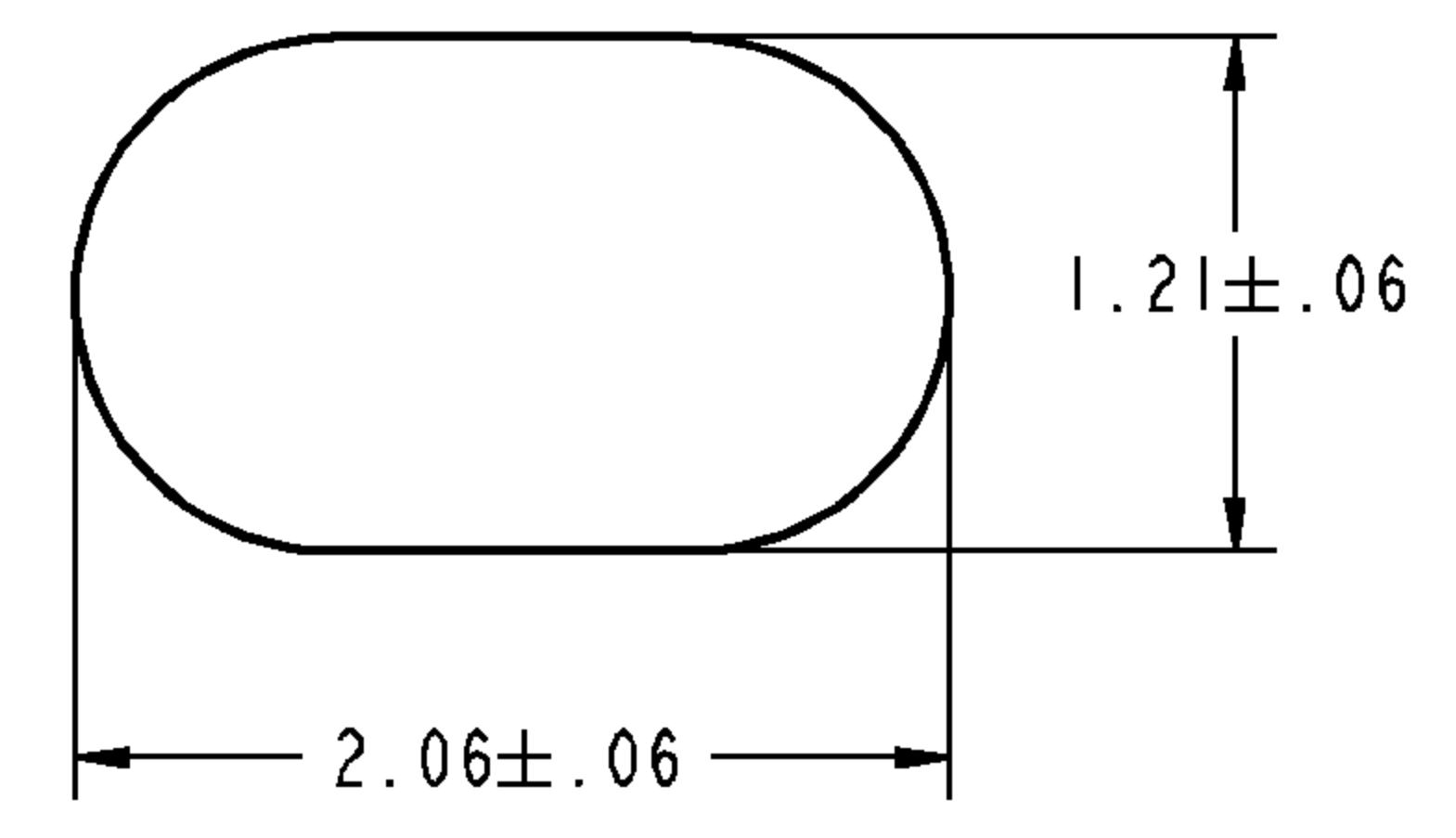
SCALE 1.500



SPECIFICATIONS :

"GEM-III Capacitors are manufactured with High Grade Metallized Polypropylene Film"

Main Capacitance	: 7.50µF ± 6%
Secondary Capacitance	: NIL
Volts	: 370AC
Leakage Current	: 30µA Max.
Frequency	: 50/60 HZ
Operating Temperature	: -40 DEG C TO 70 DEG C
Storage Temperature	: -40 DEG C TO 90 DEG C
Operative Life	: 60,000 HRS WITH 94% SURVIVAL
Dissipation Factor	: 0.1% MAX.
Case Material	: ALUMINIUM
Cover Material	: STEEL TIN PLATED
Terminals	: 0.250"x0.031" Quick Connect Blades
Dielectric Fluid	: DIELEKTROL VI
Internal Protection	: UL RECOGNIZED PSI A10000AFC



FOR ADDITIONAL INFO REFER TO:		SIGNATURES	DATE
APPLIED PRACTICES	MODEL	NPS	07/25/08
UNLESS OTHERWISE SPECIFIED DIMENSIONS ARE IN INCHES	DETAIL	NPS	07/25/08
TOLERANCE ON:	CHECKED	HV	07/25/08
1 PL DECIMALS ± 0.1	ENGRG		
2 PL DECIMALS ± 0.01	MFG		
3 PL DECIMALS ± 0.001	QUALITY		
ANGLES ± 0.5	ISSUED		
FRACTIONS ±			
FINISH ✓			
MATERIAL	SOLID MODEL: 2TCAPACITOR.ASM		



REGAL-BELOIT CORPORATION

TITLE		REV
GEM III CAPACITOR OUTLINE DRAWING		2
SIZE	DRAWING	REV
C	97F5457	2
SCALE: 1.250	REF. No:	SHEET 1 OF 1

14

13

12

11