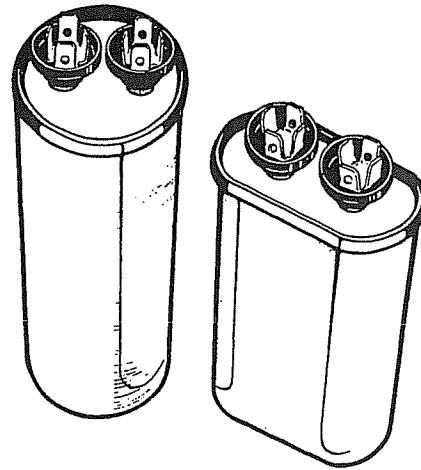


Motor Run Capacitors - Gem III

370 and 440 Volts AC

This capacitor series is designed specifically for motor run applications where the capacitors are used in conjunction with permanent split capacitor type motors. They may be used on either 50 or 60 Hertz systems but should not be used at higher frequencies or in applications where higher frequency harmonics are present. For those types of applications the General Purpose ac Capacitors shown on the following pages should be used. If there is any question regarding the correct application of these products, please contact your GE sales representative.



SPECIFICATIONS:

| | |
|--|---|
| Available Capacitance Range: | 2 to 120 μ F |
| Capacitance Tolerance: | \pm 6% |
| Capacitance Variation with Temperature: | See chart M-3 on pg.9 |
| Rated Voltage: | See Ratings Tables. Rating is the 50/60 Hz RMS voltage for a sinusoidal waveform. |
| Leakage Current: | 30 μ A maximum |
| Frequency: | 50/60 Hz. For higher frequencies use the General Purpose AC Capacitor Series. |
| Operating Temperature: | -40 °C to +70 °C |
| Storage Temperature: | -40 °C to +90 °C |
| Operating Life: | 60,000 hours with 94% survival |
| Dissipation Factor: | 0.1% maximum |
| Case Material/Finish: | Unpainted Aluminum case, terne plate steel cover. Contact GE if material/finish to meet UL outdoor standards is required. |
| Terminations: | 0.250" x 0.031" quick connect blades |
| Dielectric Fluid: | Dielektrol VI |
| Internal Protection: | UL recognized Pressure Sensitive Interrupter. See Ratings Table for GE's UL Code Number listed under GE's UL File E7793(N). For UL submittals with these capacitors use the GE 'Pxxx' number not the Catalog Number. The corresponding generic UL designation that includes the Available Fault Current (AFC) rating is given below. All these capacitors are capable of interrupting available fault currents of up to 10,000 amperes. |

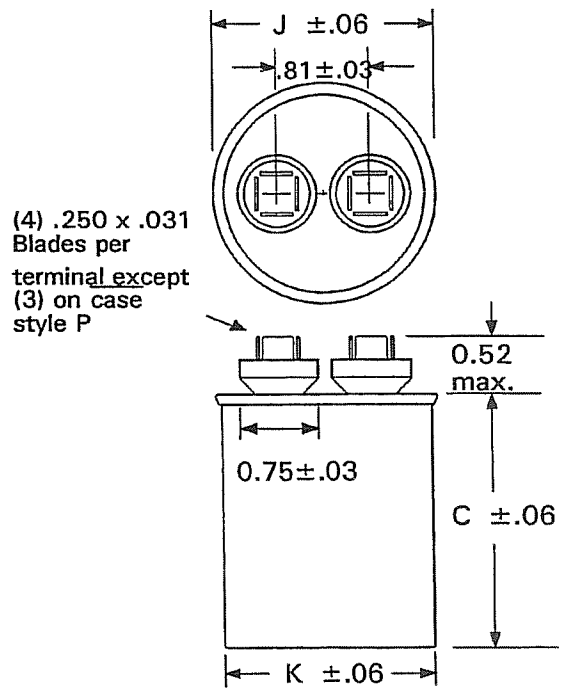
SINGLE SECTION

Motor Run Capacitors - Gem III

*STANDARD RATINGS

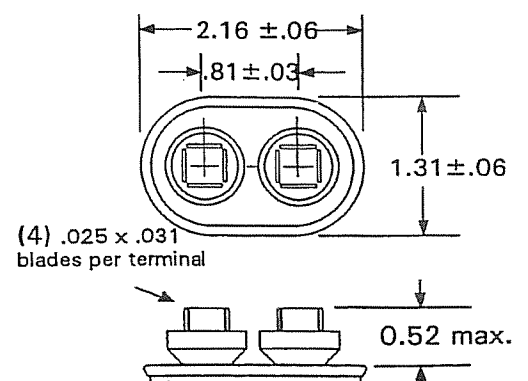
| Capacitance (uF) | Catalog Number | Case Style | Height C (in.) | UL Code |
|-----------------------------|----------------|------------|----------------|---------|
| 370 Volts AC Nominal | | | | |
| 3 | 97F5503 | A | 2.12 | P921 |
| 4 | 97F5704 | A | 2.12 | P921 |
| 5 | 97F5705 | A | 2.12 | P921 |
| 6 | 97F5706 | A | 2.12 | P921 |
| 7.5 | 97F9001 | A | 2.88 | P921 |
| 10 | 97F9002 | A | 2.88 | P921 |
| 12.5 | 97F9003 | A | 3.88 | P921 |
| 15 | 97F9004 | A | 3.88 | P921 |
| 20 | 97F9602 | P | 2.88 | P965 |
| 25 | 97F9606 | P | 2.88 | P965 |
| 30 | 97F9608 | P | 3.88 | P965 |
| 35 | 97F9611 | P | 3.88 | P965 |
| 40 | 97F9614 | P | 3.88 | P965 |
| 45 | 97F9884 | P | 4.75 | P965 |
| 50 | 97F9802 | P | 4.75 | P965 |
| 55 | 97F9010 | S | 4.75 | P968 |
| 60 | 97F5276 | T | 3.88 | P969 |
| 65 | 97F9011 | T | 3.88 | P969 |
| 70 | 97F9012 | T | 4.75 | P969 |
| 440 Volts AC Nominal | | | | |
| 3 | 97F5437 | A | 2.12 | P921 |
| 4 | 97F5337 | A | 2.88 | P921 |
| 5 | 97F5339 | A | 2.88 | P921 |
| 6 | 97F5436 | A | 2.88 | P921 |
| 7.5 | 97F9036 | A | 3.88 | P921 |
| 10 | 97F5300 | A | 3.88 | P921 |
| 12.5 | 97F9080 | A | 4.75 | P921 |
| 15 | 97F9625 | A | 4.75 | P921 |
| 20 | 97F9630 | P | 3.88 | P965 |
| 25 | 97F9632 | P | 3.88 | P965 |
| 30 | 97F9635 | P | 3.88 | P965 |
| 35 | 97F9639 | S | 3.88 | P968 |
| 40 | 97F9642 | S | 3.88 | P968 |
| 45 | 97F9645 | S | 4.75 | P968 |
| 50 | 97F5211 | T | 3.88 | P969 |
| 55 | 97F9042 | T | 4.75 | P969 |
| 60 | 97F9043 | T | 4.75 | P969 |
| 65 | 97F5241 | T | 4.75 | P969 |
| 70 | 97F5251 | T | 4.75 | P969 |

Case Styles P, S, and T



| Case Style | K | J |
|------------|------|------|
| P | 1.75 | 1.88 |
| S | 2.00 | 2.12 |

Case Style A



* It is GE's goal to serve you with the most cost effective and the highest quality capacitor de

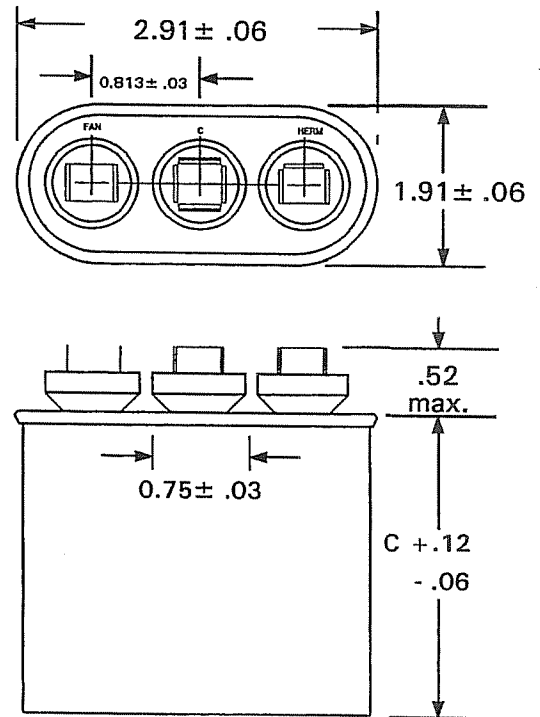
Motor Run Capacitors - Gem III

DUAL SECTION

*STANDARD RATINGS

Case Style C

| Capacitance (uF) (Herm) | Capacitance (uF) (Fan) | Catalog Number | Case Style | Height c (in.) | UL Code |
|-------------------------------|------------------------------|-------------------|---------------|-------------------|------------|
| 370 Volts AC Nominal | | | | | |
| 15 | 5 | 97F9437 | C | 2.88 | P923 |
| 15 | 7.5 | 97F9526 | C | 2.88 | P923 |
| 20 | 5 | 97F9673 | C | 2.88 | P923 |
| 20 | 7.5 | 97F9991 | C | 2.88 | P923 |
| 25 | 5 | 97F9675 | C | 2.88 | P923 |
| 25 | 7.5 | 97F9677 | C | 2.88 | P923 |
| 30 | 5 | 97F9681 | C | 3.88 | P923 |
| 30 | 7.5 | 96F9683 | C | 3.88 | P923 |
| 35 | 5 | 97F9796 | C | 3.88 | P923 |
| 35 | 7.5 | 97F9864 | C | 3.88 | P923 |
| 40 | 5 | 97F9840 | C | 3.88 | P923 |
| 40 | 7.5 | 97F9845 | C | 3.88 | P923 |
| 45 | 5 | 97F9859 | C | 3.88 | P923 |
| 45 | 7.5 | 97F9841 | C | 3.88 | P923 |
| 50 | 5 | 97F9885 | C | 4.75 | P923 |
| 50 | 7.5 | 97F9858 | C | 4.75 | P923 |
| 440 Volts AC Nominal | | | | | |
| 15 | 5 | 97F9694 | C | 2.88 | P923 |
| 15 | 7.5 | 97F9992 | C | 2.88 | P923 |
| 20 | 5 | 97F9695 | C | 2.88 | P923 |
| 20 | 7.5 | 97F9696 | C | 3.88 | P923 |
| 25 | 5 | 97F9730 | C | 3.88 | P923 |
| 25 | 7.5 | 97F9993 | C | 3.88 | P923 |
| 30 | 5 | 97F9994 | C | 3.88 | P923 |
| 30 | 7.5 | 97F9995 | C | 3.88 | P923 |
| 35 | 5 | 97F9842 | C | 4.75 | P923 |
| 35 | 7.5 | 97F9892 | C | 4.75 | P923 |



| Case Style | GE Code | Generic UL Code |
|------------|---------|-----------------|
| C | P923 | C10000AFC |
| D | P924 | D10000AFC |

* It is GE's goal to serve you with the most cost effective and the highest quality capacitor designs. Standardization to the catalog types shown is a major program at GE. However, GE remains sensitive to your needs and requirements, and will continue to offer the above

Motor Run Capacitors - Gem III

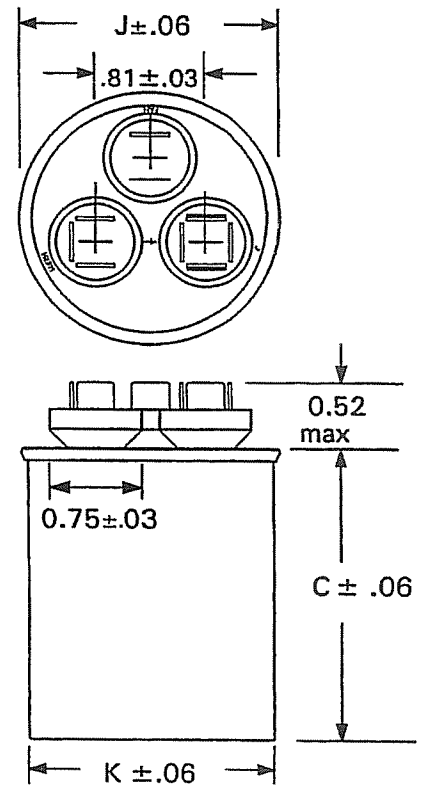
DUAL SECTION

CONCENTRIC ROUND

*STANDARD RATINGS

| Capacitance (uF) (Herm) | Capacitance (uF) (Fan) | Catalog Number | Case Style | Height c (in.) | UL Code |
|-------------------------------|------------------------------|-------------------|---------------|-------------------|------------|
| 370 Volts AC Nominal | | | | | |
| 15 | 5 | 97F9810 | S | 2.88 | P968 |
| 15 | 7.5 | 97F9811 | S | 2.88 | P968 |
| 20 | 5 | 97F9814 | S | 2.88 | P968 |
| 20 | 7.5 | 97F9966 | S | 2.88 | P968 |
| 20 | 10 | 97F9967 | S | 2.88 | P968 |
| 25 | 5 | 97F9803 | S | 2.88 | P968 |
| 25 | 7.5 | 97F9826 | S | 2.88 | P968 |
| 25 | 10 | 97F9827 | S | 3.88 | P968 |
| 30 | 5 | 97F9833 | S | 3.88 | P968 |
| 30 | 7.5 | 97F9968 | S | 3.88 | P968 |
| 30 | 10 | 97F9828 | S | 3.88 | P968 |
| 35 | 5 | 97F9834 | S | 3.88 | P968 |
| 35 | 7.5 | 97F9829 | S | 3.88 | P968 |
| 35 | 10 | 97F9830 | S | 3.88 | P968 |
| 40 | 5 | 97F9849 | S | 3.88 | P968 |
| 40 | 7.5 | 97F9855 | S | 3.88 | P968 |
| 40 | 10 | 97F9831 | S | 3.88 | P968 |
| 45 | 5 | 97F9895 | S | 4.75 | P968 |
| 45 | 7.5 | 97F9969 | S | 4.75 | P968 |
| 45 | 10 | 97F9832 | S | 4.75 | P968 |
| 50 | 5 | 97F9970 | S | 4.75 | P968 |
| 50 | 7.5 | 97F9971 | S | 4.75 | P968 |
| 50 | 10 | 97F9972 | S | 4.75 | P968 |
| 55 | 5 | 97F9815 | T | 3.88 | P969 |
| 55 | 7.5 | 97F9973 | T | 3.88 | P969 |
| 55 | 10 | 97F9974 | T | 3.88 | P969 |
| 60 | 5 | 97F9816 | T | 4.75 | P969 |
| 60 | 7.5 | 97F9817 | T | 4.75 | P969 |

CASE STYLES S, T



| CASE STYLE | K | J |
|------------|------|------|
| S | 2.00 | 2.12 |
| T | 2.50 | 2.62 |

* It is GE's goal to serve you with the most cost effective and the highest quality capacitor designs. Standardization to the catalog types shown is a major program at GE. However, GE remains sensitive to your needs and requirements, and will continue to offer the above ratings (and more) in case configurations to meet your application (s).