

14

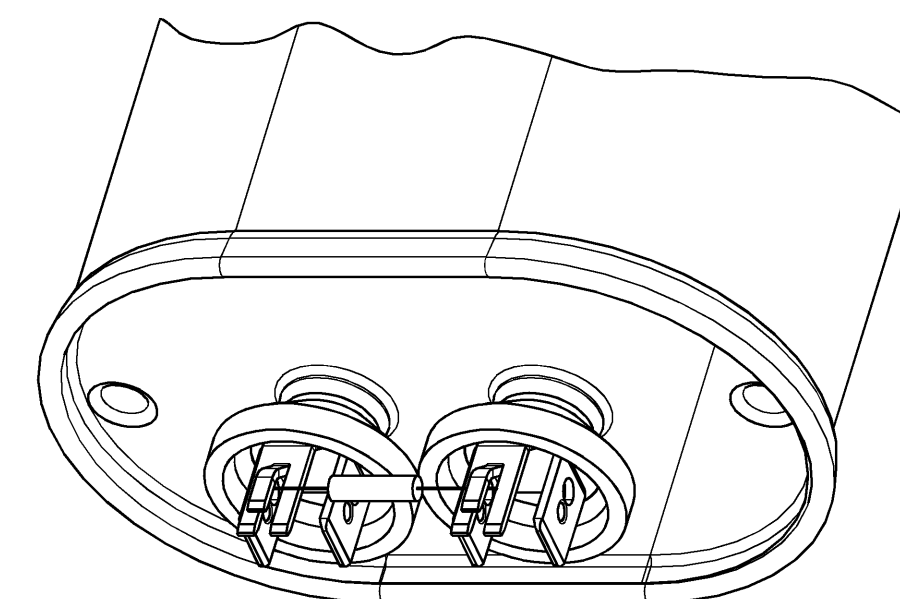
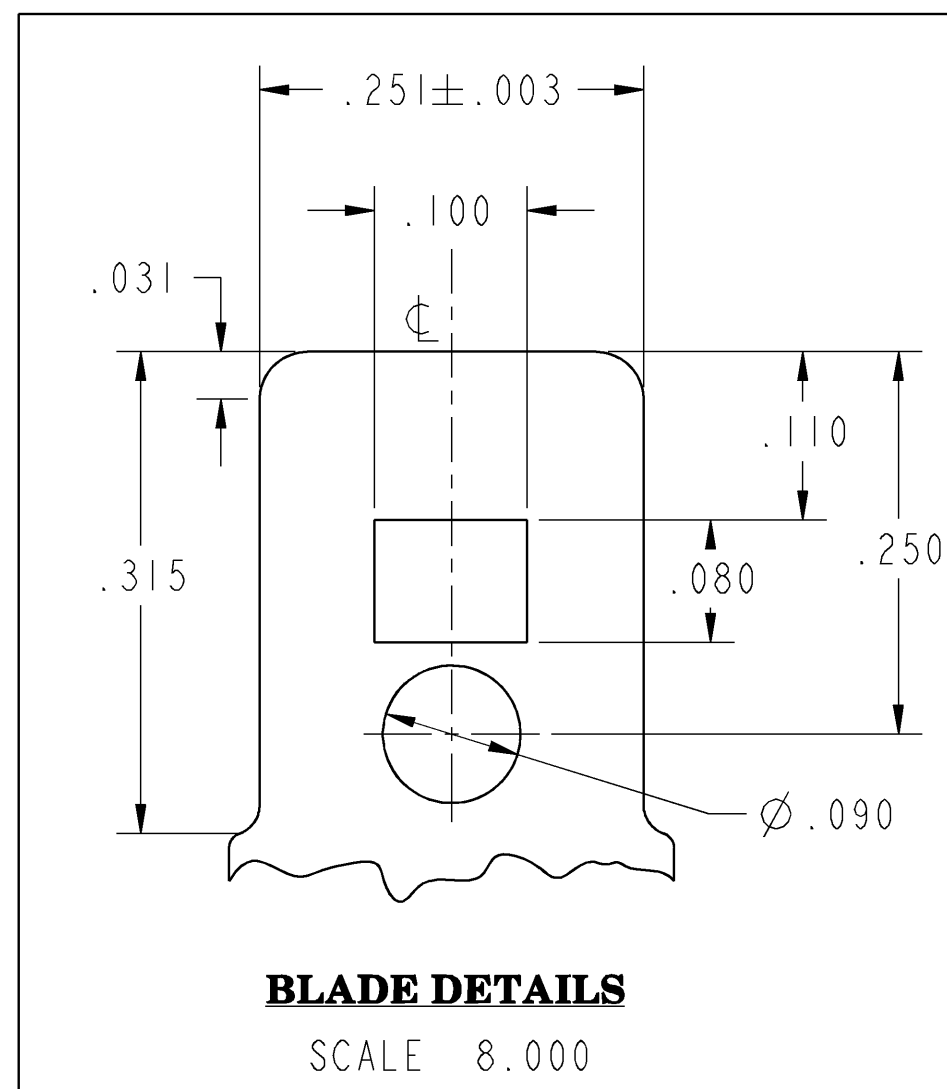
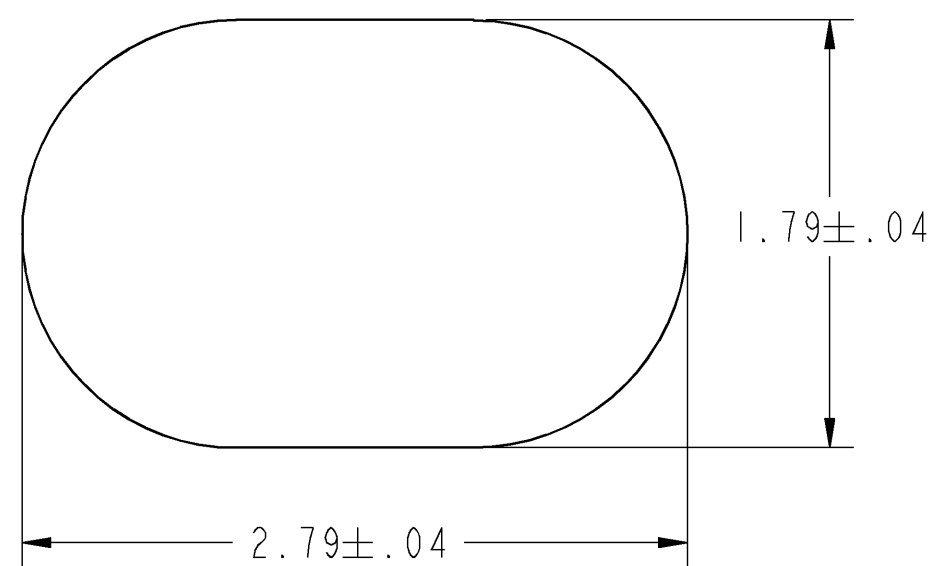
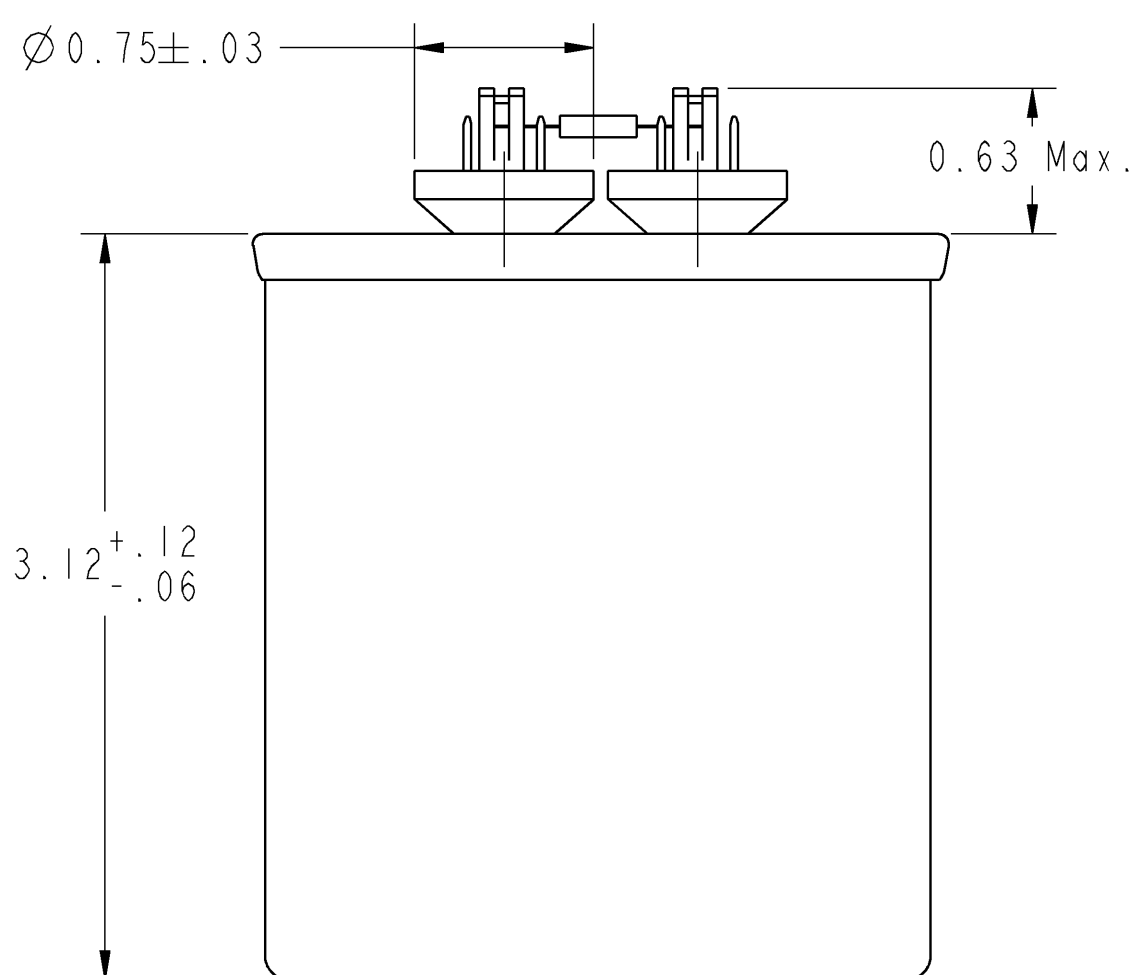
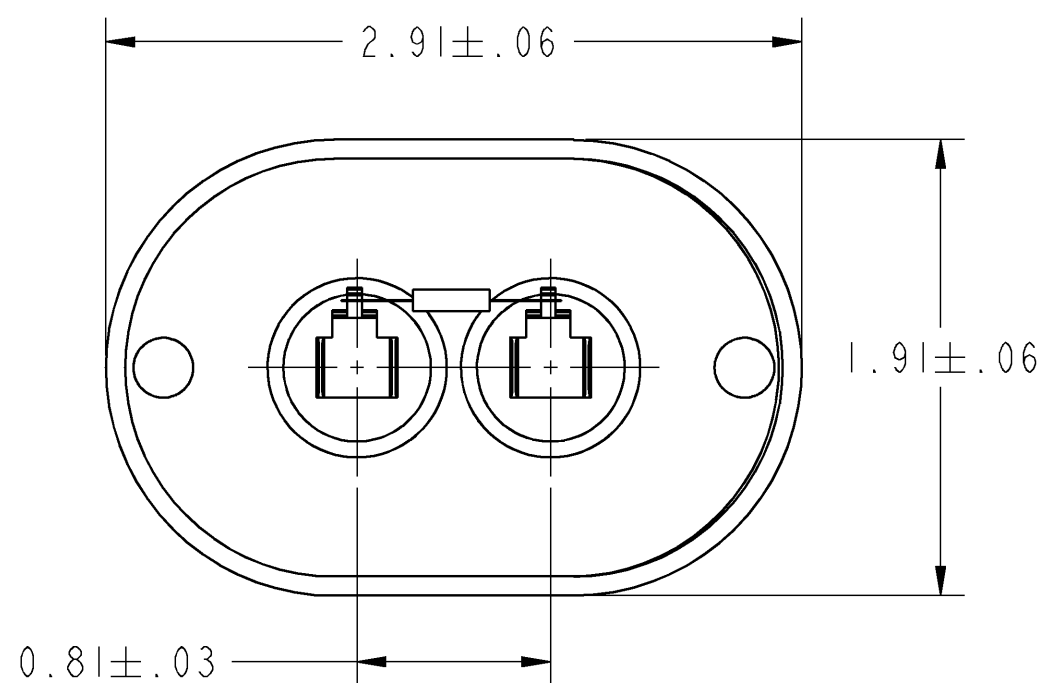
13

12

SIZE C DRAWING NO. 27L7004RC REV 1 SHEET 1

RBC PROPRIETARY AND CONFIDENTIAL INFORMATION
This document is the property of REGAL BELOIT CORPORATION ("RBC") including its subsidiaries and divisions and contains proprietary information of RBC. This document is loaned on the express condition that neither it nor the information contained therein shall be disclosed to others without the express written consent of RBC, and that the information shall be used by the recipient only as approved expressly by RBC. This document shall be returned to RBC upon its request. This document may be subject to certain restrictions under U.S. export control laws and regulations.

REVISIONS			
REV.	DESCRIPTION	DATE	APPROVED
1	Modified per ECN NO. 0627.	11/11/05	HV



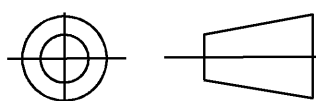
SCALE 1.500

SPECIFICATIONS :

"GEM-III Capacitors are manufactured with High Grade Metallized Polypropylene Film"

Main Capacitance	: 24.00µF ±3%
Secondary Capacitance	: NIL
Volts	:360AC
Leakage Current	:30µA Max.
Frequency	:50/60 HZ
Operating Temperature	:-40 DEG C TO 100 DEG C MAX.
Storage Temperature	:-40 DEG C TO 90 DEG C
Operative Life	:60,000 HRS WITH 94% SURVIVAL
Dissipation Factor	:0.1% MAX.
Case Material	:ALUMINIUM
Cover Material	:TERNPLATE
Terminals	: 0.250"x0.031" Quick Connect Blades
Dielectric Fluid	:DIELEKTROL VI
Internal Protection	: UL RECOGNIZED PRESSURE SENSITIVE INTERRUPTER

THIRD ANGLE PROJECTION



FOR ADDITIONAL INFO REFER TO:	SIGNATURES	DATE
APPLIED PRACTICES	MODEL RAGHU.P.H	09/13/04
UNLESS OTHERWISE SPECIFIED DIMENSIONS ARE IN INCHES	DETAIL RAGHU.P.H	09/13/04
TOLERANCE ON:	CHECKED RAGHU.P.H	09/13/04
1 PL DECIMALS ± 0.1	ENGRG	.
2 PL DECIMALS ± 0.01	MFG	.
3 PL DECIMALS ± 0.001	QUALITY	.
ANGLES ± 0.5	ISSUED	.
FRACTIONS ±		
FINISH		
MATERIAL	SOLID MODEL: 2TCAPACITOR.ASM	



REGAL-BELOIT CORPORATION

TITLE

**GEM III CAPACITOR
OUTLINE DRAWING**

SIZE C

DRAWING

27L7004RC

REV 1

SCALE: 1.250

REF. No. :

SHEET 1 OF 1

14

13

12

11