

GE Consumer & Industrial  
Electrical Distribution

# AF-600 FPTM Fan and Pump Drive

## Design Guide





## Contents

<b>1 How to Read this Design Guide</b>	<b>3</b>
Copyright, Limitation of Liability and Revision Rights	3
Approvals	4
Symbols	4
Abbreviations	5
Definitions	5
<b>2 Introduction to AF-600 FP</b>	<b>11</b>
Safety	11
CE Labelling	13
Aggressive Environments	14
Vibration and Shock	15
Application Examples	22
Control Structures	28
General Aspects of EMC	35
Galvanic Isolation (PELV)	39
PELV - Protective Extra Low Voltage	39
Earth Leakage Current	40
Extreme Running Conditions	40
<b>3 AF-600 FP Selection</b>	<b>45</b>
Options and Accessories	45
<b>4 How to Install</b>	<b>57</b>
Mechanical Dimensions	59
Lifting	64
Electrical Installation	66
Electrical Installation and Control Cables	67
Final Set-Up and Test	82
Additional Connections	84
Motor Insulation	86
Motor Bearing Currents	87
Installation of Misc. Connections	88
Safety	90
EMC-correct Installation	90
Residual Current Device	93
<b>5 Application Examples</b>	<b>95</b>
Start/Stop	95
Pulse Start/Stop	95
Potentiometer Reference	96



Auto Tune	96
Logic Controller	96
Logic Controller Programming	97
LC Application Example	97
BASIC Cascade Controller	99
Pump Staging with Lead Pump Alternation	100
System Status and Operation	100
Fixed Variable Speed Pump Wiring Diagram	101
Lead Pump Alternation Wiring Diagram	102
Cascade Controller Wiring Diagram	103
Start/Stop Conditions	103
<b>6 RS-485 Installation and Set-up</b>	<b>105</b>
RS-485 Installation and Set-up	105
Drive Protocol Overview	107
Network Configuration	109
Drive Protocol Message Framing Structure	109
Examples	114
Modbus RTU Overview	116
Modbus RTU Message Framing Structure	117
How to Access Parameters	121
Examples	122
GE Drive Control Profile	128
<b>7 General Specifications and Troubleshooting</b>	<b>133</b>
Mains Supply Tables	133
General Specifications	145
Efficiency	149
Acoustic Noise	150
Peak Voltage on Motor	150
Special Conditions	155
Troubleshooting	157
Alarms and Warnings	157
Alarm Words	161
Warning Words	162
Extended Status Words	163
Fault Messages	164
<b>Index</b>	<b>169</b>



## 1 How to Read this Design Guide

**1**

# AF-600 FP

## Software version: 1.02



This guide can be used with all AF-600 FP frequency converters with software version 1.02 or later.  
The actual software version number can be read from par. ID-43 *Software Version*.

### 1.1.1 Copyright, Limitation of Liability and Revision Rights

This publication contains information proprietary to GE. By accepting and using this manual the user agrees that the information contained herein will be used solely for operating equipment from GE or equipment from other vendors provided that such equipment is intended for communication with GE equipment over a serial communication link. This publication is protected under the Copyright laws of Denmark and most other countries.

GE does not warrant that a software program produced according to the guidelines provided in this manual will function properly in every physical, hardware or software environment.

Although GE has tested and reviewed the documentation within this manual, GE makes no warranty or representation, neither expressed nor implied, with respect to this documentation, including its quality, performance, or fitness for a particular purpose.

In no event shall GE be liable for direct, indirect, special, incidental, or consequential damages arising out of the use, or the inability to use information contained in this manual, even if advised of the possibility of such damages. In particular, GE is not responsible for any costs, including but not limited to those incurred as a result of lost profits or revenue, loss or damage of equipment, loss of computer programs, loss of data, the costs to substitute these, or any claims by third parties.

GE reserves the right to revise this publication at any time and to make changes to its contents without prior notice or any obligation to notify former or present users of such revisions or changes.





1

### 1.1.2 Available Literature for AF-600 FP

- Operating Instructions provide the necessary information for getting the drive up and running.
- Design Guide entails all technical information about the drive and customer design and applications.
- Programming Guide provides information on how to program and includes complete parameter descriptions.

GE technical literature is available in print from your local GE Sales Office or online at: [www.geelectrical.com/drives](http://www.geelectrical.com/drives)

- AF-600 FP Built-in network manuals are available separately.

### 1.1.3 Approvals



### 1.1.4 Symbols

Symbols used in this guide.

**NB!**  
Indicates something to be noted by the reader.

 Indicates a general warning.

 Indicates a high-voltage warning.

\* Indicates default setting



### 1.1.5 Abbreviations

Alternating current	AC
American wire gauge	AWG
Ampere/AMP	A
Current limit	I <sub>LIM</sub>
Degrees Celsius	°C
Direct current	DC
Drive Control Tool PC Software	DCT 10
Drive Dependent	D-TYPE
Electro Magnetic Compatibility	EMC
Electronic Thermal Overload	Elec. OL
Gram	g
Hertz	Hz
Kilohertz	kHz
Meter	m
Millihenry Inductance	mH
Milliampere	mA
Millisecond	ms
Minute	min
Nanofarad	nF
Newton Meters	Nm
Nominal motor current	I <sub>M,N</sub>
Nominal motor frequency	f <sub>M,N</sub>
Nominal motor power	P <sub>M,N</sub>
Nominal motor voltage	U <sub>M,N</sub>
Parameter	par.
Protective Extra Low Voltage	PELV
Printed Circuit Board	PCB
Rated Inverter Output Current	I <sub>INV</sub>
Revolutions Per Minute	RPM
Regenerative terminals	Regen
Second	s
Synchronous Motor Speed	n <sub>s</sub>
Torque limit	T <sub>LIM</sub>
Volts	V

**1**

### 1.1.6 Definitions

**Drive:**I<sub>DRIVE,MAX</sub>

The maximum output current.

I<sub>DRIVE,N</sub>

The rated output current supplied by the frequency converter.

U<sub>DRIVE,MAX</sub>

The maximum output voltage.

**Input:**Control command

You can start and stop the connected motor by means of keypad and the digital inputs.

Functions are divided into two groups.

Functions in group 1 have higher priority than functions in group 2.

Group 1

Reset, Coasting stop, Reset and Coasting stop, Quick-stop, DC braking, Stop and the "Off" key.

Group 2

Start, Pulse start, Reversing, Start reversing, Jog and Freeze output



1

**Motor:**

$f_{JOG}$

The motor frequency when the jog function is activated (via digital terminals).

$f_M$

The motor frequency.

$f_{MAX}$

The maximum motor frequency.

$f_{MIN}$

The minimum motor frequency.

$f_{M,N}$

The rated motor frequency (nameplate data).

$I_M$

The motor current.

$I_{M,N}$

The rated motor current (nameplate data).

$n_{M,N}$

The rated motor speed (nameplate data).

$P_{M,N}$

The rated motor power (nameplate data).

$T_{M,N}$

The rated torque (motor).

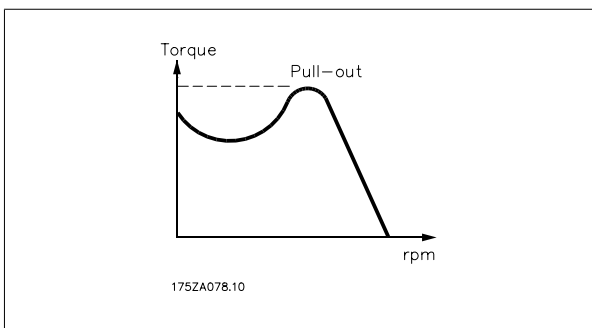
$U_M$

The instantaneous motor voltage.

$U_{M,N}$

The rated motor voltage (nameplate data).

Break-away torque



$\eta_{DRIVE}$

The efficiency of the frequency converter is defined as the ratio between the power output and the power input.



#### Start-disable command

A stop command belonging to the group 1 control commands - see this group.

#### Stop command

See Control commands.

#### **References:**

#### Analog Reference

A signal transmitted to the analog inputs 53 or 54, can be voltage or current.

#### Bus Reference

A signal transmitted to the serial communication port (drive port).

#### Preset Reference

A defined preset reference to be set from -100% to +100% of the reference range. Selection of eight preset references via the digital terminals.

#### Pulse Reference

A pulse frequency signal transmitted to the digital inputs (terminal 29 or 33).

#### Ref<sub>MAX</sub>

Determines the relationship between the reference input at 100% full scale value (typically 10 V, 20mA) and the resulting reference. The maximum reference value set in par. F-53 *Maximum Reference*.

#### Ref<sub>MIN</sub>

Determines the relationship between the reference input at 0% value (typically 0V, 0mA, 4mA) and the resulting reference. The minimum reference value set in par. F-52 *Minimum Reference*

#### **Miscellaneous:**

#### Advanced Vector Control

If compared with standard voltage/frequency ratio control, Advanced Vector Control improves the dynamics and the stability, both when the speed reference is changed and in relation to the load torque.

#### Analog Inputs

The analog inputs are used for controlling various functions of the frequency converter.

There are two types of analog inputs:

Current input, 0-20 mA and 4-20 mA

Voltage input, 0-10 V DC.

#### Analog Outputs

The analog outputs can supply a signal of 0-20 mA, 4-20 mA, or a digital signal.

#### Auto Tune

Auto Tune algorithm determines the electrical parameters for the connected motor at standstill.

#### CT Characteristics

Constant torque characteristics used for screw and scroll refrigeration compressors.

#### Digital Inputs

The digital inputs can be used for controlling various functions of the frequency converter.

#### Digital Outputs

The frequency converter features two Solid State outputs that can supply a 24 V DC (max. 40 mA) signal.

DSP

Digital Signal Processor.

Relay Outputs:

The frequency converter features two programmable Relay Outputs.

Electronic Thermal Overload

Electronic Thermal Overload is a thermal load calculation based on present load and time. Its purpose is to estimate the motor temperature.

Initialising

If initialising is carried out (par. H-03 *Restore Factory Settings*), the programmable parameters of the frequency converter return to their default settings.

Intermittent Duty Cycle

An intermittent duty rating refers to a sequence of duty cycles. Each cycle consists of an on-load and an off-load period. The operation can be either periodic duty or none-periodic duty.

Keypad

The keypad makes up a complete interface for control and programming of the frequency converter. The is detachable and can be installed up to 3 metres from the frequency converter, i.e. in a front panel by means of the installation kit option.

lsb

Least significant bit.

MCM

Short for Mille Circular Mil, an American measuring unit for cable cross-section. 1 MCM  $\equiv$  0.5067 mm<sup>2</sup>.

msb

Most significant bit.

On-line/Off-line Parameters

Changes to on-line parameters are activated immediately after the data value is changed. Changes to off-line parameters are not activated until you enter [OK] on the keypad.

PID Controller

The PID controller maintains the desired speed, pressure, temperature, etc. by adjusting the output frequency to match the varying load.

RCD

Residual Current Device.

Set-up

You can save parameter settings in four Set-ups. Change between the four parameter Set-ups and edit one Set-up, while another Set-up is active.

SFAVM

Switching pattern called Stator Flux oriented Asynchronous Vector Modulation (par. F-37 *Adv. Switching Pattern*).

Slip Compensation

The frequency converter compensates for the motor slip by giving the frequency a supplement that follows the measured motor load keeping the motor speed almost constant.

Logic Controller (LC)

The LC is a sequence of user defined actions executed when the associated user defined events are evaluated as true by the LC.

Thermistor:

A temperature-dependent resistor placed where the temperature is to be monitored (frequency converter or motor).



### Trip

A state entered in fault situations, e.g. if the frequency converter is subject to an over-temperature or when the frequency converter is protecting the motor, process or mechanism. Restart is prevented until the cause of the fault has disappeared and the trip state is cancelled by activating reset or, in some cases, by being programmed to reset automatically. Trip may not be used for personal safety.

### Trip Locked

A state entered in fault situations when the frequency converter is protecting itself and requiring physical intervention, e.g. if the frequency converter is subject to a short circuit on the output. A locked trip can only be cancelled by cutting off mains, removing the cause of the fault, and reconnecting the frequency converter. Restart is prevented until the trip state is cancelled by activating reset or, in some cases, by being programmed to reset automatically. Trip locked may not be used for personal safety.

### VT Characteristics

Variable torque characteristics used for pumps and fans.

### 60° AVM

Switching pattern called 60° Asynchronous Vector Modulation (See par. F-37 *Adv. Switching Pattern*).

## 1.1.7 Power Factor

The power factor is the relation between  $I_1$  and  $I_{RMS}$ .

$$\begin{aligned} \text{Power factor} &= \frac{\sqrt{3} \times U \times I_1 \times \cos\varphi}{\sqrt{3} \times U \times I_{RMS}} \\ &= \frac{I_1 \times \cos\varphi}{I_{RMS}} = \frac{I_1}{I_{RMS}} \text{ since } \cos\varphi = 1 \end{aligned}$$

The power factor for 3-phase control:

The power factor indicates to which extent the frequency converter imposes a load on the mains supply.

$$I_{RMS} = \sqrt{I_1^2 + I_5^2 + I_7^2 + \dots + I_n^2}$$

The lower the power factor, the higher the  $I_{RMS}$  for the same kW performance.

In addition, a high power factor indicates that the different harmonic currents are low.

The frequency converters' built-in DC coils produce a high power factor, which minimizes the imposed load on the mains supply.





## 2 Introduction to AF-600 FP

### 2.1 Safety

#### 2.1.1 Safety Note

2



The voltage of the frequency converter is dangerous whenever connected to mains. Incorrect installation of the motor, frequency converter or network may cause death, serious personal injury or damage to the equipment. Consequently, the instructions in this manual, as well as national and local rules and safety regulations, must be complied with.

#### Safety Regulations

1. The frequency converter must be disconnected from mains if repair work is to be carried out. Check that the mains supply has been disconnected and that the necessary time has passed before removing motor and mains plugs.
2. The [STOP/RESET] key on the keypad of the frequency converter does not disconnect the equipment from mains and is thus not to be used as a safety switch.
3. Correct protective earthing of the equipment must be established, the user must be protected against supply voltage, and the motor must be protected against overload in accordance with applicable national and local regulations.
4. The earth leakage currents are higher than 3.5 mA.
5. Protection against motor overload is set by par. F-10 *Electronic Overload* . If this function is desired, set par. F-10 *Electronic Overload* to data value [Electronic Thermal Overload trip] (default value) or data value [Electronic Thermal Overload warning]. Note: The function is initialized at  $1.16 \times$  rated motor current and rated motor frequency. For the North American market: The Electronic Thermal Overload functions provide class 20 motor overload protection in accordance with NEC.
6. Do not remove the plugs for the motor and mains supply while the frequency converter is connected to mains. Check that the mains supply has been disconnected and that the necessary time has passed before removing motor and mains plugs.
7. Please note that the frequency converter has more voltage inputs than L1, L2 and L3, when load sharing (linking of DC intermediate circuit) and external 24 V DC have been installed. Check that all voltage inputs have been disconnected and that the necessary time has passed before commencing repair work.

#### Installation at high altitudes



Installation at high altitude:

380 - 480 V, unit sizes 1x, 2x and 3x: At altitudes above 2 km, please contact GE regarding PELV.

380 - 480 V, unit sizes 4x, 5x and 6x: At altitudes above 3 km, please contact GE regarding PELV.

525 - 690 V: At altitudes above 2 km, please contact GE regarding PELV.

#### Warning against Unintended Start

1. The motor can be brought to a stop by means of digital commands, bus commands, references or a local stop, while the frequency converter is connected to mains. If personal safety considerations make it necessary to ensure that no unintended start occurs, these stop functions are not sufficient.
2. While parameters are being changed, the motor may start. Consequently, the stop key [STOP/RESET] must always be activated; following which data can be modified.
3. A motor that has been stopped may start if faults occur in the electronics of the frequency converter, or if a temporary overload or a fault in the supply mains or the motor connection ceases.



**Warning:**

Touching the electrical parts may be fatal - even after the equipment has been disconnected from mains.

Also make sure that other voltage inputs have been disconnected, such as external 24 V DC, load sharing (linkage of DC intermediate circuit), as well as the motor connection for kinetic back up. Refer to the Operating Instructions for further safety guidelines.





### 2.1.2 Caution

2



The frequency converter DC link capacitors remain charged after power has been disconnected. To avoid an electrical shock hazard, disconnect the frequency converter from the mains before carrying out maintenance. Wait at least as follows before doing service on the frequency converter:

Voltage (V)	Min. Waiting Time (Minutes)				
	4	15	20	30	40
200 - 240	1.1 - 3.7 kW	5.5 - 45 kW			
380 - 480	1.1 - 7.5 kW	11 - 90 kW	110 - 250 kW		315 - 1000 kW
525 - 600	1.1 - 7.5 kW	11 - 90 kW			
525 - 690			110 - 400 kW	450 - 1200 kW	

Be aware that there may be high voltage on the DC link even when the LEDs are turned off.



### 2.1.3 Disposal Instruction



Equipment containing electrical components may not be disposed of together with domestic waste. It must be separately collected with electrical and electronic waste according to local and currently valid legislation.

2

## 2.2 CE Labelling

### 2.2.1 CE Conformity and Labelling

#### What is CE Conformity and Labelling?

The purpose of CE labelling is to avoid technical trade obstacles within EFTA and the EU. The EU has introduced the CE label as a simple way of showing whether a product complies with the relevant EU directives. The CE label says nothing about the specifications or quality of the product. Frequency converters are regulated by three EU directives:

#### The machinery directive (98/37/EEC)

All machines with critical moving parts are covered by the machinery directive of January 1, 1995. Since a frequency converter is largely electrical, it does not fall under the machinery directive. However, if a frequency converter is supplied for use in a machine, we provide information on safety aspects relating to the frequency converter. We do this by means of a manufacturer's declaration.

#### The low-voltage directive (73/23/EEC)

Frequency converters must be CE labelled in accordance with the low-voltage directive of January 1, 1997. The directive applies to all electrical equipment and appliances used in the 50 - 1000 V AC and the 75 - 1500 V DC voltage ranges. GE CE-labels in accordance with the directive and issues a declaration of conformity upon request.

#### The EMC directive (89/336/EEC)

EMC is short for electromagnetic compatibility. The presence of electromagnetic compatibility means that the mutual interference between different components/appliances does not affect the way the appliances work.

The EMC directive came into effect January 1, 1996. GE CE-labels in accordance with the directive and issues a declaration of conformity upon request. To carry out EMC-correct installation, see the instructions in this Design Guide. In addition, we specify which standards our products comply with. We offer the filters presented in the specifications and provide other types of assistance to ensure the optimum EMC result.

The frequency converter is most often used by professionals of the trade as a complex component forming part of a larger appliance, system or installation. It must be noted that the responsibility for the final EMC properties of the appliance, system or installation rests with the installer.

### 2.2.2 What Is Covered

The EU "Guidelines on the Application of Council Directive 89/336/EEC" outline three typical situations of using a frequency converter. See below for EMC coverage and CE labelling.

1. The frequency converter is sold directly to the end-consumer. The frequency converter is for example sold to a DIY market. The end-consumer is a layman. He installs the frequency converter himself for use with a hobby machine, a kitchen appliance, etc. For such applications, the frequency converter must be CE labelled in accordance with the EMC directive.
2. The frequency converter is sold for installation in a plant. The plant is built up by professionals of the trade. It could be a production plant or a heating/ventilation plant designed and installed by professionals of the trade. Neither the frequency converter nor the finished plant has to be CE labelled under the EMC directive. However, the unit must comply with the basic EMC requirements of the directive. This is ensured by using components, appliances, and systems that are CE labelled under the EMC directive.
3. The frequency converter is sold as part of a complete system. The system is being marketed as complete and could e.g. be an air-conditioning system. The complete system must be CE labelled in accordance with the EMC directive. The manufacturer can ensure CE labelling under the EMC directive either by using CE labelled components or by testing the EMC of the system. If he chooses to use only CE labelled components, he does not have to test the entire system.



### 2.2.3 GE Frequency Converter and CE Labelling

CE labelling is a positive feature when used for its original purpose, i.e. to facilitate trade within the EU and EFTA.

However, CE labelling may cover many different specifications. Thus, you have to check what a given CE label specifically covers.

The covered specifications can be very different and a CE label may therefore give the installer a false feeling of security when using a frequency converter as a component in a system or an appliance.

GE CE labels the frequency converters in accordance with the low-voltage directive. This means that if the frequency converter is installed correctly, we guarantee compliance with the low-voltage directive. GE issues a declaration of conformity that confirms our CE labelling in accordance with the low-voltage directive.

The CE label also applies to the EMC directive provided that the instructions for EMC-correct installation and filtering are followed. On this basis, a declaration of conformity in accordance with the EMC directive is issued.

The Design Guide offers detailed instructions for installation to ensure EMC-correct installation. Furthermore, GE specifies which our different products comply with.

GE provides other types of assistance that can help you obtain the best EMC result.

### 2.2.4 Compliance with EMC Directive 89/336/EEC

As mentioned, the frequency converter is mostly used by professionals of the trade as a complex component forming part of a larger appliance, system, or installation. It must be noted that the responsibility for the final EMC properties of the appliance, system or installation rests with the installer. As an aid to the installer, GE has prepared EMC installation guidelines for the Power Drive system. The standards and test levels stated for Power Drive systems are complied with, provided that the EMC-correct instructions for installation are followed, see the section *EMC Immunity*.

The frequency converter has been designed to meet the IEC/EN 60068-2-3 standard, EN 50178 pkt. 9.4.2.2 at 50°C.

### 2.4.1 Aggressive Environments

A frequency converter contains a large number of mechanical and electronic components. All are to some extent vulnerable to environmental effects.



The frequency converter should not be installed in environments with airborne liquids, particles, or gases capable of affecting and damaging the electronic components. Failure to take the necessary protective measures increases the risk of stoppages, thus reducing the life of the frequency converter.

Liquids can be carried through the air and condense in the frequency converter and may cause corrosion of components and metal parts. Steam, oil, and salt water may cause corrosion of components and metal parts. In such environments, use equipment with Unit Size rating IP 54/55. As an extra protection, coated printed circuit boards can be ordered as an option.

Airborne Particles such as dust may cause mechanical, electrical, or thermal failure in the frequency converter. A typical indicator of excessive levels of airborne particles is dust particles around the frequency converter fan. In very dusty environments, use equipment with Unit Size rating IP 54/55 or a cabinet for IP 00/IP 20/TYP E 1 equipment.

In environments with high temperatures and humidity, corrosive gases such as sulphur, nitrogen, and chlorine compounds will cause chemical processes on the frequency converter components.

Such chemical reactions will rapidly affect and damage the electronic components. In such environments, mount the equipment in a cabinet with fresh air ventilation, keeping aggressive gases away from the frequency converter.

An extra protection in such areas is a coating of the printed circuit boards, which can be ordered as an option.

**NB!**

Mounting frequency converters in aggressive environments increases the risk of stoppages and considerably reduces the life of the converter.

Before installing the frequency converter, check the ambient air for liquids, particles, and gases. This is done by observing existing installations in this environment. Typical indicators of harmful airborne liquids are water or oil on metal parts, or corrosion of metal parts.

Excessive dust particle levels are often found on installation cabinets and existing electrical installations. One indicator of aggressive airborne gases is blackening of copper rails and cable ends on existing installations.

**NB!**

Unit Sizes 4x and 5x have a stainless steel back-channel option to provide additional protection in aggressive environments. Proper ventilation is still required for the internal components of the drive. Contact GE for additional information.

2

## 2.5 Vibration and Shock

The frequency converter has been tested according to the procedure based on the shown standards:

The frequency converter complies with requirements that exist for units mounted on the walls and floors of production premises, as well as in panels bolted to walls or floors.

IEC/EN 60068-2-6:  
IEC/EN 60068-2-64:

Vibration (sinusoidal) - 1970  
Vibration, broad-band random

## 2.7 Advantages

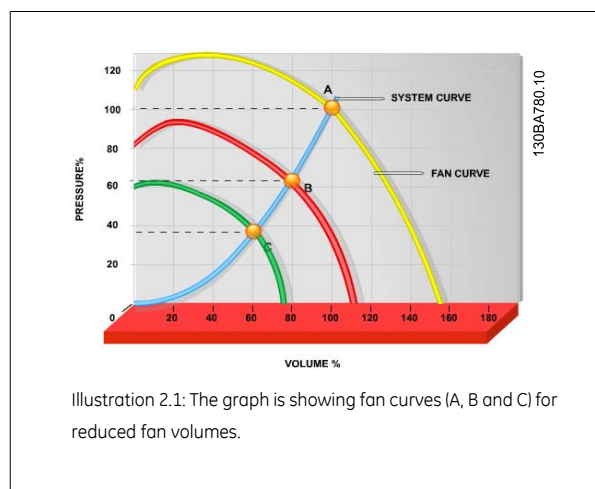
### 2.7.1 Why use a Frequency Converter for Controlling Fans and Pumps?

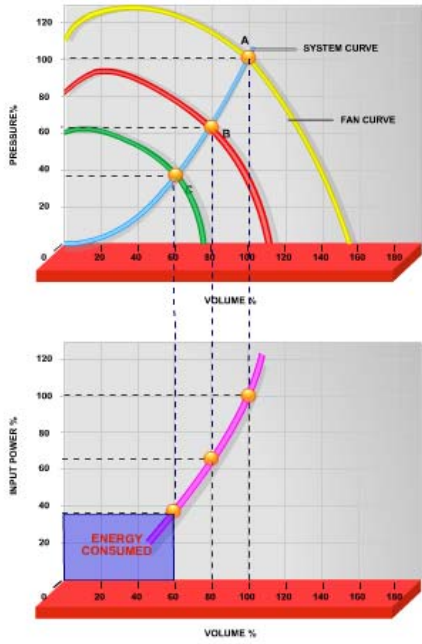
A frequency converter takes advantage of the fact that centrifugal fans and pumps follow the laws of proportionality for such fans and pumps. For further information see the text *The Laws of Proportionality*.

### 2.7.2 The Clear Advantage - Energy Savings

The very clear advantage of using a frequency converter for controlling the speed of fans or pumps lies in the electricity savings.

When comparing with alternative control systems and technologies, a frequency converter is the optimum energy control system for controlling fan and pump systems.





130BA781.10

Illustration 2.2: When using a frequency converter to reduce fan capacity to 60% - more than 50% energy savings may be obtained in typical applications.

### 2.7.3 Example of Energy Savings

As can be seen from the figure (the laws of proportionality), the flow is controlled by changing the RPM. By reducing the speed only 20% from the rated speed, the flow is also reduced by 20%. This is because the flow is directly proportional to the RPM. The consumption of electricity, however, is reduced by 50%. If the system in question only needs to be able to supply a flow that corresponds to 100% a few days in a year, while the average is below 80% of the rated flow for the remainder of the year, the amount of energy saved is even more than 50%.

#### The laws of proportionality

The figure below describes the dependence of flow, pressure and power consumption on RPM.

Q = Flow

P = Power

Q<sub>1</sub> = Rated flow

P<sub>1</sub> = Rated power

Q<sub>2</sub> = Reduced flow

P<sub>2</sub> = Reduced power

H = Pressure

n = Speed regulation

H<sub>1</sub> = Rated pressure

n<sub>1</sub> = Rated speed

H<sub>2</sub> = Reduced pressure

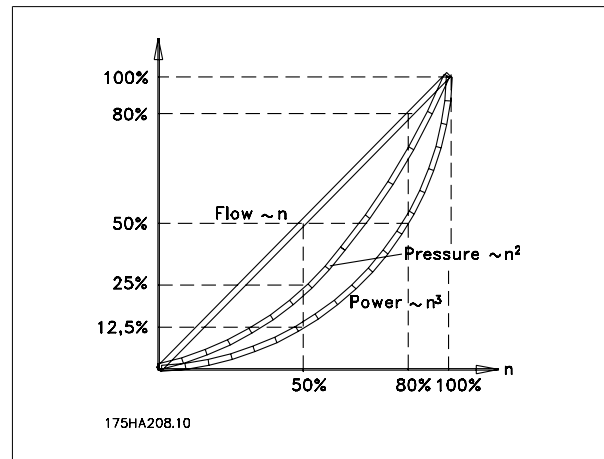
n<sub>2</sub> = Reduced speed



$$\text{Flow} : \frac{Q_1}{Q_2} = \frac{n_1}{n_2}$$

$$\text{Pressure} : \frac{H_1}{H_2} = \left(\frac{n_1}{n_2}\right)^2$$

$$\text{Power} : \frac{P_1}{P_2} = \left(\frac{n_1}{n_2}\right)^3$$



2

### 2.7.4 Comparison of Energy Savings

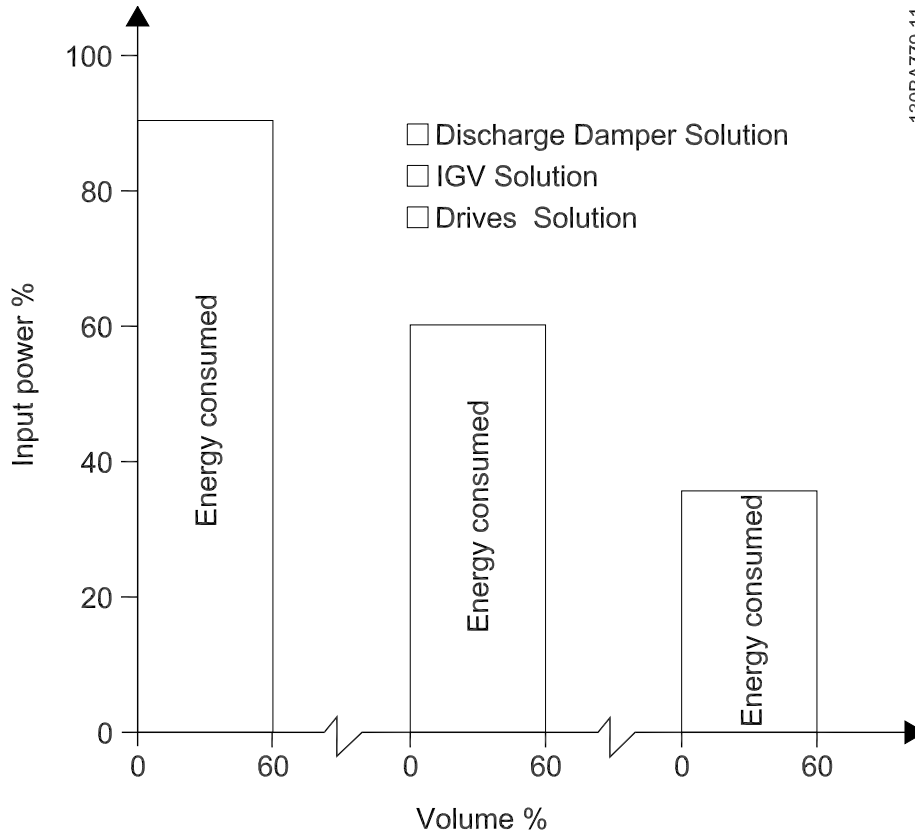
The GE frequency converter solution offers major savings compared with traditional energy saving solutions. This is because the frequency converter is able to control fan speed according to thermal load on the system and the fact that the frequency converter has a build-in facility that enables the frequency converter to function as a Building Management System, BMS.

The graph below illustrates typical energy savings obtainable with 3 well-known solutions when fan volume is reduced to i.e. 60%.

As the graph shows, more than 50% energy savings can be achieved in typical applications.

130BA782.10

Illustration 2.3: The three common energy saving systems.



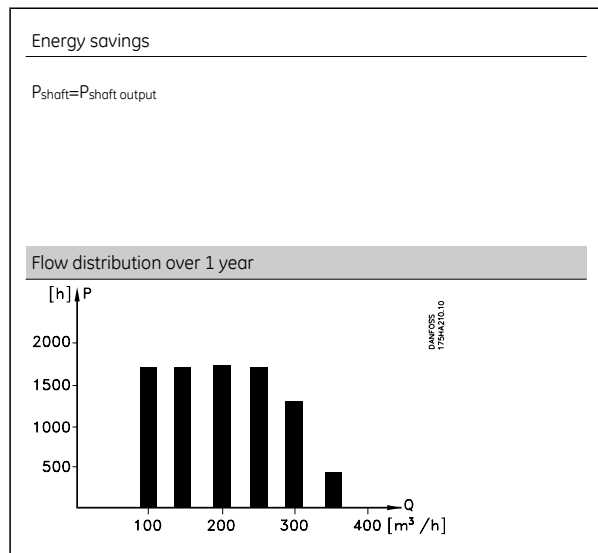
130BA779.11

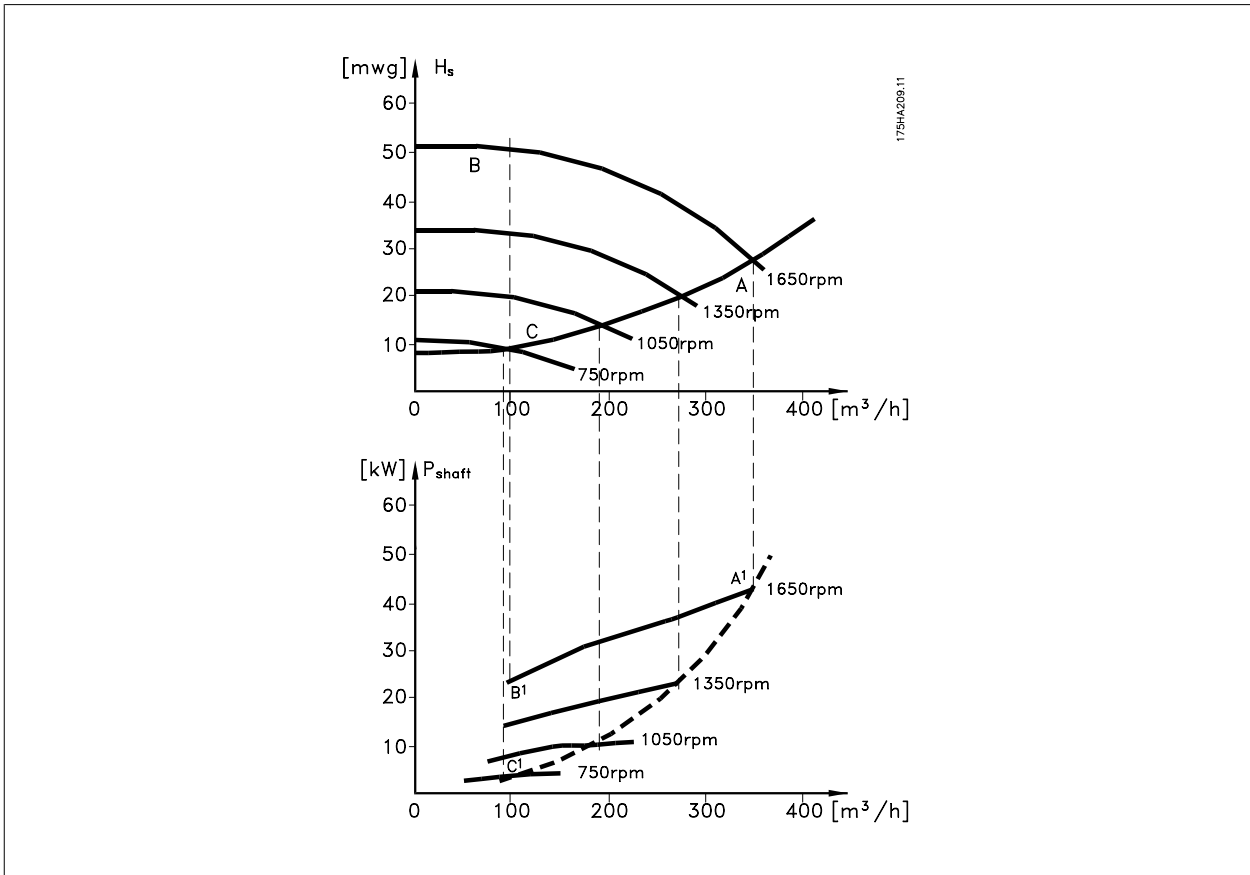
Illustration 2.4: Discharge dampers reduce power consumption somewhat. Inlet Guide Vans offer a 40% reduction but are expensive to install. The GE frequency converter solution reduces energy consumption with more than 50% and is easy to install.

### 2.7.5 Example with Varying Flow over 1 Year

The example below is calculated on the basis of pump characteristics obtained from a pump datasheet.

The result obtained shows energy savings in excess of 50% at the given flow distribution over a year. The pay back period depends on the price per kwh and price of frequency converter. In this example it is less than a year when compared with valves and constant speed.





m³/h	Distribution		Valve regulation		Frequency converter control	
	%	Hours	Power A <sub>1</sub> - B <sub>1</sub>	Consumption kWh	Power A <sub>1</sub> - C <sub>1</sub>	Consumption kWh
350	5	438	42,5	18.615	42,5	18.615
300	15	1314	38,5	50.589	29,0	38.106
250	20	1752	35,0	61.320	18,5	32.412
200	20	1752	31,5	55.188	11,5	20.148
150	20	1752	28,0	49.056	6,5	11.388
100	20	1752	23,0	40.296	3,5	6.132
<b>Σ</b>	100	8760		275.064		26.801

### 2.7.6 Better Control

If a frequency converter is used for controlling the flow or pressure of a system, improved control is obtained.

A frequency converter can vary the speed of the fan or pump, thereby obtaining variable control of flow and pressure.

Furthermore, a frequency converter can quickly adapt the speed of the fan or pump to new flow or pressure conditions in the system.

Simple control of process (Flow, Level or Pressure) utilizing the built in PID control.

### 2.7.7 Cos φ Compensation

Generally speaking, a frequency converter with a cos φ of 1 provides power factor correction for the cos φ of the motor, which means that there is no need to make allowance for the cos φ of the motor when sizing the power factor correction unit.

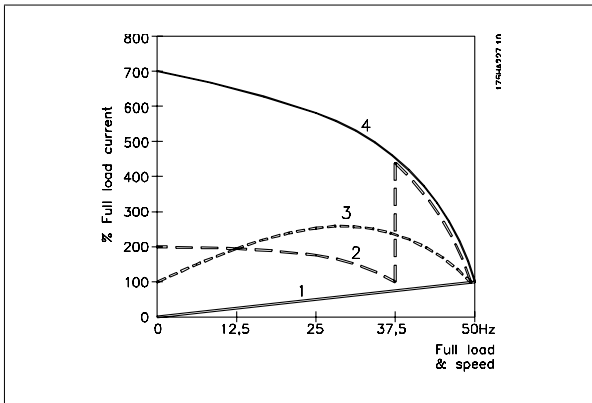


## 2.7.8 Star/Delta Starter or Soft-starter not Required

When larger motors are started, it is necessary in many countries to use equipment that limits the start-up current. In more traditional systems, a star/delta starter or soft-starter is widely used. Such motor starters are not required if a frequency converter is used.

2

As illustrated in the figure below, a frequency converter does not consume more than rated current.



- 1 = AF-600 FP
- 2 = Star/delta starter
- 3 = Soft-starter
- 4 = Start directly on mains

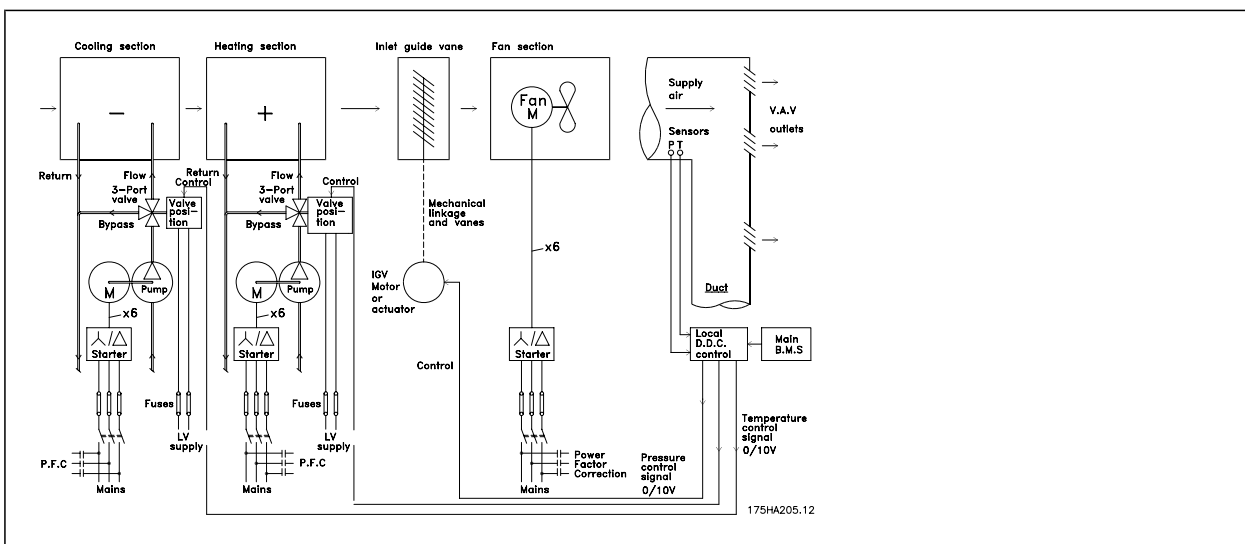
## 2.7.9 Using a Frequency Converter Saves Money

The example on the following page shows that a lot of equipment is not required when a frequency converter is used. It is possible to calculate the cost of installing the two different systems. In the example on the following page, the two systems can be established at roughly the same price.

## 2.7.10 Without a Frequency Converter

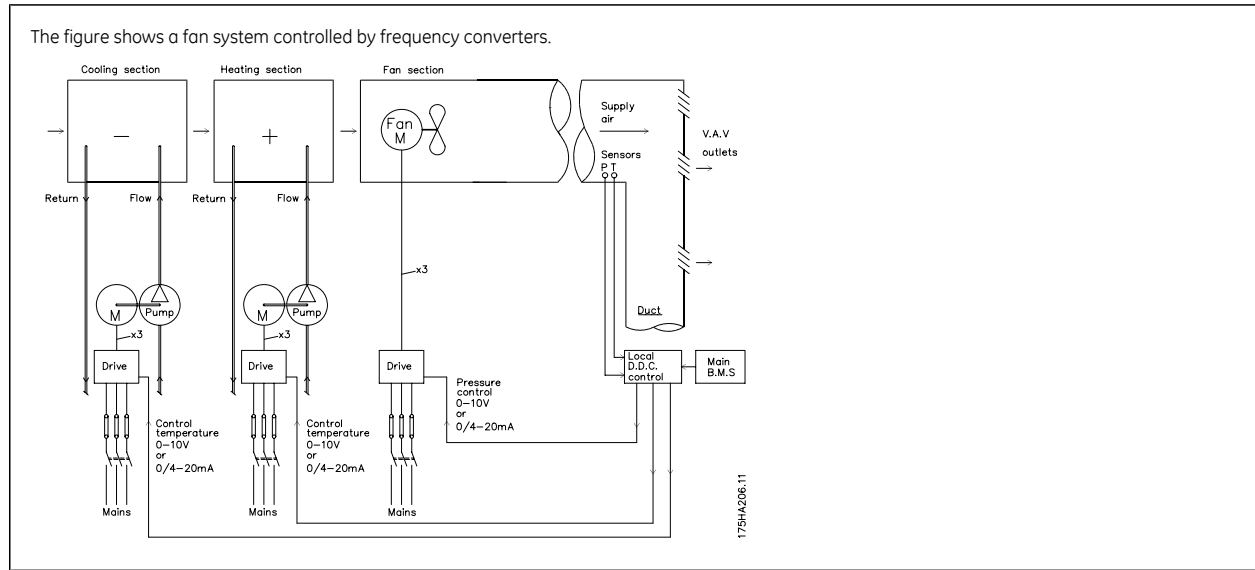
The figure shows a fan system made in the traditional way.

D.D.C.	=	Direct Digital Control	E.M.S.	=	Energy Management system
V.A.V.	=	Variable Air Volume			
Sensor P	=	Pressure	Sensor T	=	Temperature





### 2.7.11 With a Frequency Converter



## 2.7.12 Application Examples

The next few pages give typical examples of applications within HVAC.

# 2

## 2.7.13 Variable Air Volume

VAV or Variable Air Volume systems, are used to control both the ventilation and temperature to satisfy the requirements of a building. Central VAV systems are considered to be the most energy efficient method to air condition buildings. By designing central systems instead of distributed systems, a greater efficiency can be obtained.

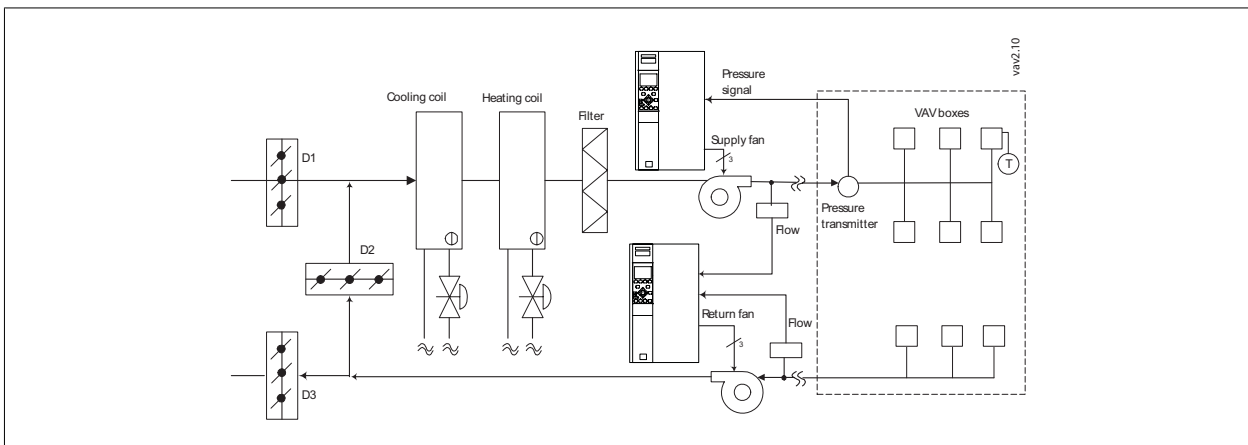
The efficiency comes from utilizing larger fans and larger chillers which have much higher efficiencies than small motors and distributed air-cooled chillers. Savings are also seen from the decreased maintenance requirements.

## 2.7.14 The AF-600 FP Solution

While dampers and IGVs work to maintain a constant pressure in the ductwork, a frequency converter solution saves much more energy and reduces the complexity of the installation. Instead of creating an artificial pressure drop or causing a decrease in fan efficiency, the frequency converter decreases the speed of the fan to provide the flow and pressure required by the system.

Centrifugal devices such as fans behave according to the centrifugal laws. This means the fans decrease the pressure and flow they produce as their speed is reduced. Their power consumption is thereby significantly reduced.

The return fan is frequently controlled to maintain a fixed difference in airflow between the supply and return. The advanced PID controller of the HVAC frequency converter can be used to eliminate the need for additional controllers.





## 2.7.15 Constant Air Volume

CAV, or Constant Air Volume systems are central ventilation systems usually used to supply large common zones with the minimum amounts of fresh tempered air. They preceded VAV systems and therefore are found in older multi-zoned commercial buildings as well. These systems preheat amounts of fresh air utilizing Air Handling Units (AHUs) with a heating coil, and many are also used to air condition buildings and have a cooling coil. Fan coil units are frequently used to assist in the heating and cooling requirements in the individual zones.

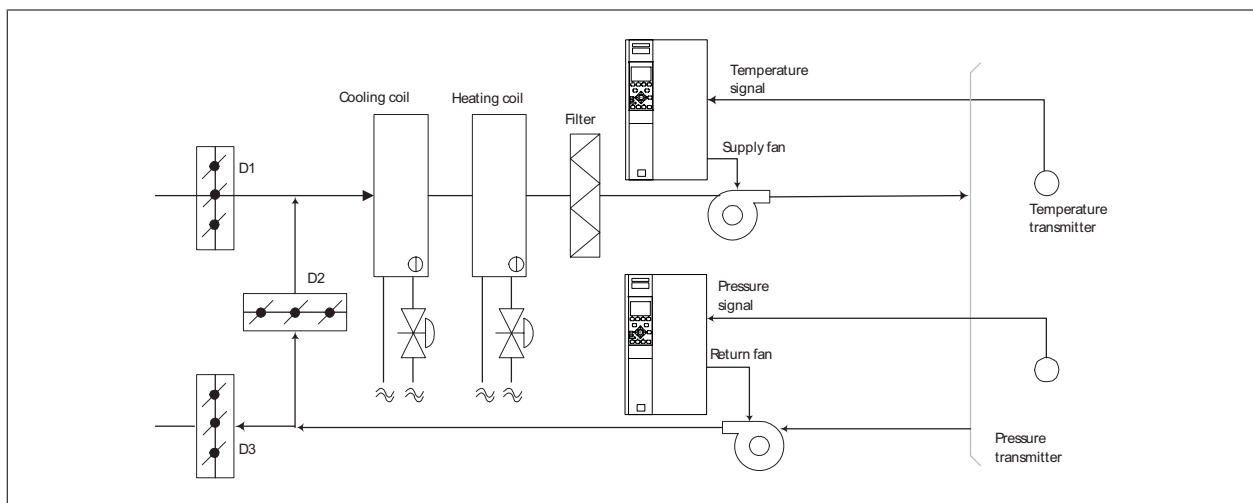
2

## 2.7.16 The AF-600 FP Solution

With a frequency converter, significant energy savings can be obtained while maintaining decent control of the building. Temperature sensors or CO<sub>2</sub> sensors can be used as feedback signals to frequency converters. Whether controlling temperature, air quality, or both, a CAV system can be controlled to operate based on actual building conditions. As the number of people in the controlled area decreases, the need for fresh air decreases. The CO<sub>2</sub> sensor detects lower levels and decreases the supply fans speed. The return fan modulates to maintain a static pressure setpoint or fixed difference between the supply and return air flows.

With temperature control, especially used in air conditioning systems, as the outside temperature varies as well as the number of people in the controlled zone changes, different cooling requirements exist. As the temperature decreases below the set-point, the supply fan can decrease its speed. The return fan modulates to maintain a static pressure set-point. By decreasing the air flow, energy used to heat or cool the fresh air is also reduced, adding further savings.

Several features of the GE dedicated frequency converter can be utilized to improve the performance of your CAV system. One concern of controlling a ventilation system is poor air quality. The programmable minimum frequency can be set to maintain a minimum amount of supply air regardless of the feedback or reference signal. The frequency converter also includes a 3-zone, 3 setpoint PID controller which allows monitoring both temperature and air quality. Even if the temperature requirement is satisfied, the frequency converter will maintain enough supply air to satisfy the air quality sensor. The controller is capable of monitoring and comparing two feedback signals to control the return fan by maintaining a fixed differential air flow between the supply and return ducts as well.





2

### 2.7.17 Cooling Tower Fan

Cooling Tower Fans are used to cool condenser water in water cooled chiller systems. Water cooled chillers provide the most efficient means of creating chilled water. They are as much as 20% more efficient than air cooled chillers. Depending on climate, cooling towers are often the most energy efficient method of cooling the condenser water from chillers.

They cool the condenser water by evaporation.

The condenser water is sprayed into the cooling tower onto the cooling towers "fill" to increase its surface area. The tower fan blows air through the fill and sprayed water to aid in the evaporation. Evaporation removes energy from the water dropping its temperature. The cooled water collects in the cooling towers basin where it is pumped back into the chillers condenser and the cycle is repeated.

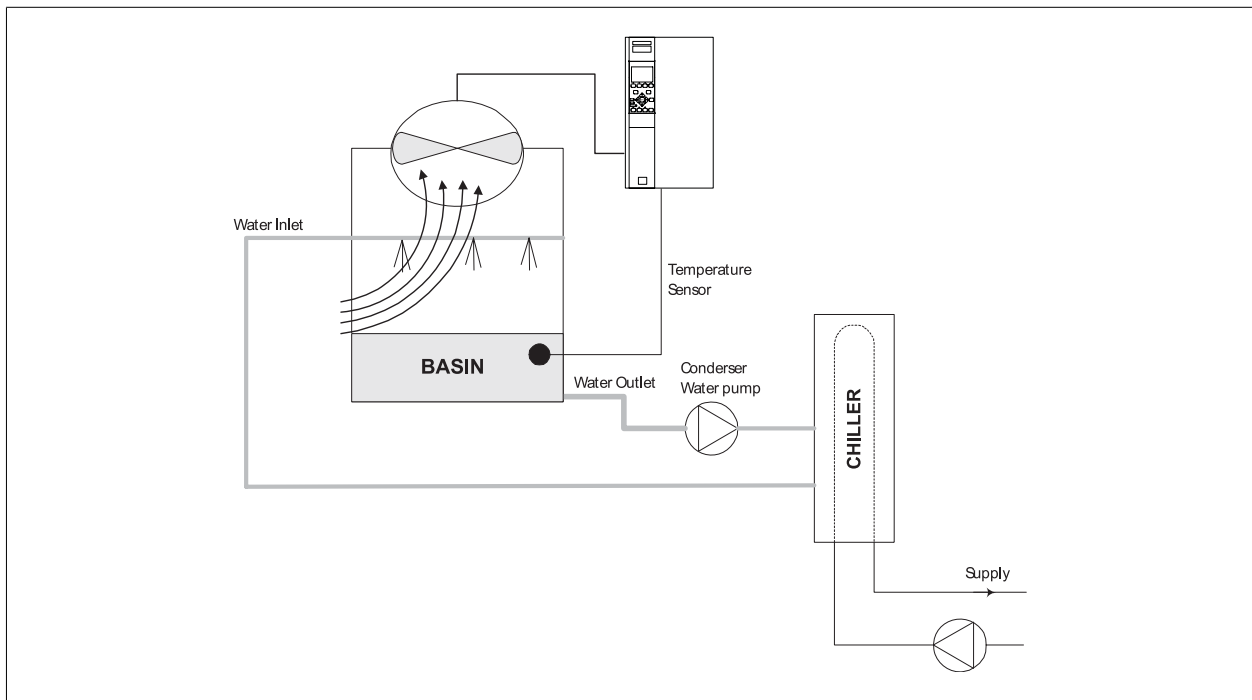
### 2.7.18 The AF-600 FP solution

With a frequency converter, the cooling towers fans can be controlled to the required speed to maintain the condenser water temperature. The frequency converters can also be used to turn the fan on and off as needed.

Several features of the GE dedicated frequency converter, the HVAC frequency converter can be utilized to improve the performance of your cooling tower fans application. As the cooling tower fans drop below a certain speed, the effect the fan has on cooling the water becomes small. Also, when utilizing a gear-box to frequency control the tower fan, a minimum speed of 40-50% may be required.

The customer programmable minimum frequency setting is available to maintain this minimum frequency even as the feedback or speed reference calls for lower speeds.

Also as a standard feature, you can program the frequency converter to enter a "sleep" mode and stop the fan until a higher speed is required. Additionally, some cooling tower fans have undesirable frequencies that may cause vibrations. These frequencies can easily be avoided by programming the bypass frequency ranges in the frequency converter.





### 2.7.19 Condenser Pumps

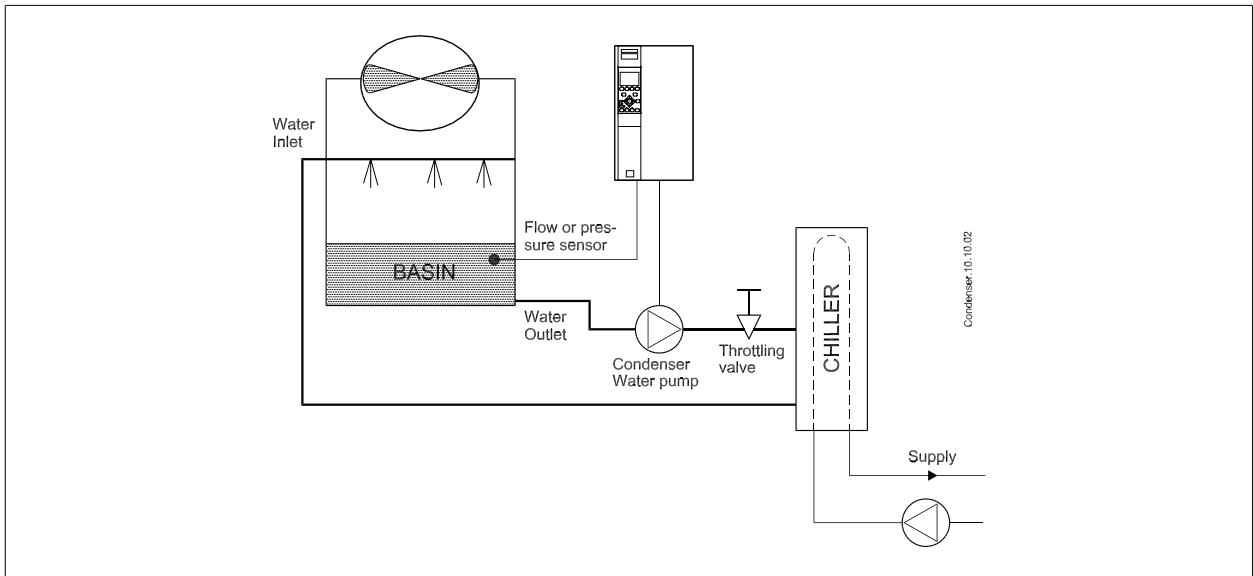
Condenser Water pumps are primarily used to circulate water through the condenser section of water cooled chillers and their associated cooling tower. The condenser water absorbs the heat from the chiller's condenser section and releases it into the atmosphere in the cooling tower. These systems are used to provide the most efficient means of creating chilled water, they are as much as 20% more efficient than air cooled chillers.

2

### 2.7.20 The AF-600 FP solution

Frequency converters can be added to condenser water pumps instead of balancing the pumps with a throttling valve or trimming the pump impeller.

Using a frequency converter instead of a throttling valve simply saves the energy that would have been absorbed by the valve. This can amount to savings of 15-20% or more. Trimming the pump impeller is irreversible, thus if the conditions change and higher flow is required the impeller must be replaced.





## 2.7.21 Primary Pumps

Primary pumps in a primary/secondary pumping system can be used to maintain a constant flow through devices that encounter operation or control difficulties when exposed to variable flow. The primary/secondary pumping technique decouples the "primary" production loop from the "secondary" distribution loop. This allows devices such as chillers to obtain constant design flow and operate properly while allowing the rest of the system to vary in flow.

**2**

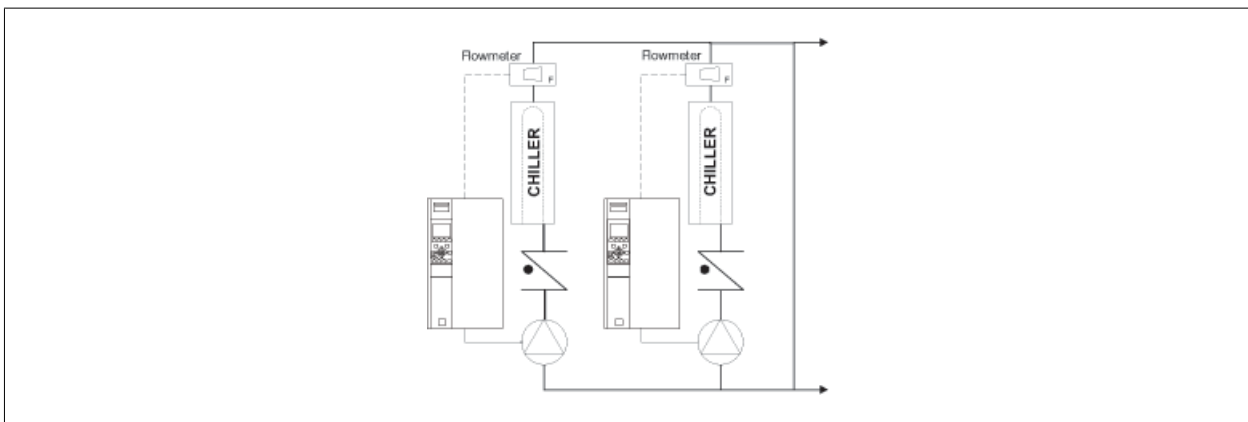
As the evaporator flow rate decreases in a chiller, the chilled water begins to become over-chilled. As this happens, the chiller attempts to decrease its cooling capacity. If the flow rate drops far enough, or too quickly, the chiller cannot shed its load sufficiently and the chiller's low evaporator temperature safety trips the chiller requiring a manual reset. This situation is common in large installations especially when two or more chillers in parallel are installed if primary/secondary pumping is not utilized.

## 2.7.22 The AF-600 FP Solution

Depending on the size of the system and the size of the primary loop, the energy consumption of the primary loop can become substantial. A frequency converter can be added to the primary system, to replace the throttling valve and/or trimming of the impellers, leading to reduced operating expenses. Two control methods are common:

The first method uses a flow meter. Because the desired flow rate is known and is constant, a flow meter installed at the discharge of each chiller, can be used to control the pump directly. Using the built-in PID controller, the frequency converter will always maintain the appropriate flow rate, even compensating for the changing resistance in the primary piping loop as chillers and their pumps are staged on and off.

The other method is local speed determination. The operator simply decreases the output frequency until the design flow rate is achieved. Using a frequency converter to decrease the pump speed is very similar to trimming the pump impeller, except it doesn't require any labor and the pump efficiency remains higher. The balancing contractor simply decreases the speed of the pump until the proper flow rate is achieved and leaves the speed fixed. The pump will operate at this speed any time the chiller is staged on. Because the primary loop doesn't have control valves or other devices that can cause the system curve to change and the variance due to staging pumps and chillers on and off is usually small, this fixed speed will remain appropriate. In the event the flow rate needs to be increased later in the systems life, the frequency converter can simply increase the pump speed instead of requiring a new pump impeller.





## 2.7.23 Secondary Pumps

Secondary pumps in a primary/secondary chilled water pumping system are used to distribute the chilled water to the loads from the primary production loop. The primary/secondary pumping system is used to hydraulically de-couple one piping loop from another. In this case, the primary pump is used to maintain a constant flow through the chillers while allowing the secondary pumps to vary in flow, increase control and save energy.

If the primary/secondary design concept is not used and a variable volume system is designed, when the flow rate drops far enough or too quickly, the chiller cannot shed its load properly. The chiller's low evaporator temperature safety then trips the chiller requiring a manual reset. This situation is common in large installations especially when two or more chillers in parallel are installed.

2

## 2.7.24 The AF-600 FP Solution

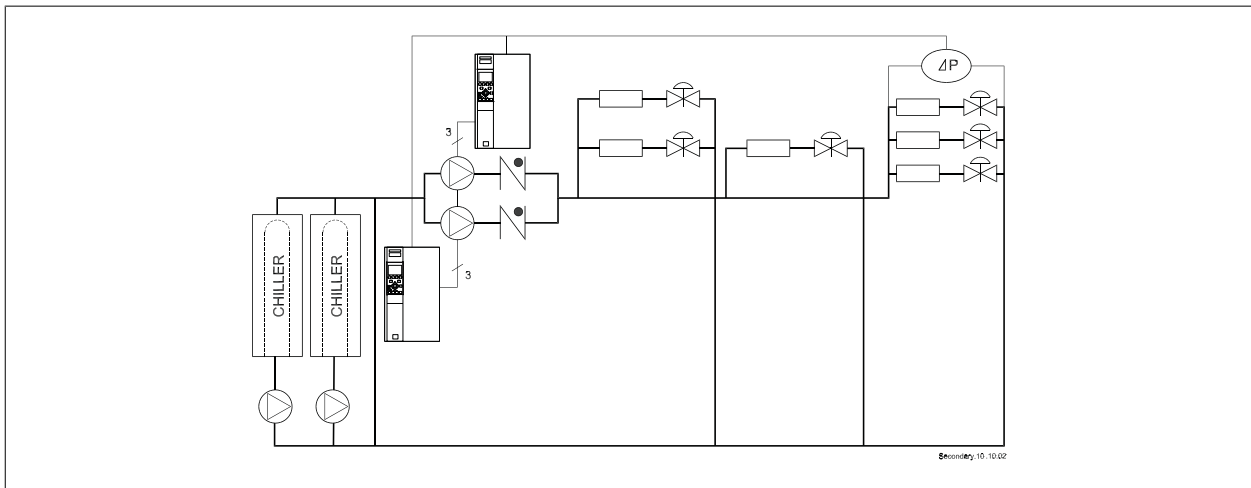
While the primary-secondary system with two-way valves improves energy savings and eases system control problems, the true energy savings and control potential is realized by adding frequency converters.

With the proper sensor location, the addition of frequency converters allows the pumps to vary their speed to follow the system curve instead of the pump curve. This results in the elimination of wasted energy and eliminates most of the over-pressurization, two-way valves can be subjected to.

As the monitored loads are reached, the two-way valves close down. This increases the differential pressure measured across the load and two-way valve. As this differential pressure starts to rise, the pump is slowed to maintain the control head also called setpoint value. This set-point value is calculated by summing the pressure drop of the load and two way valve together under design conditions.

### NB!

Please note that when running multiple pumps in parallel, they must run at the same speed to maximize energy savings, either with individual dedicated drives or one frequency converter running multiple pumps in parallel.

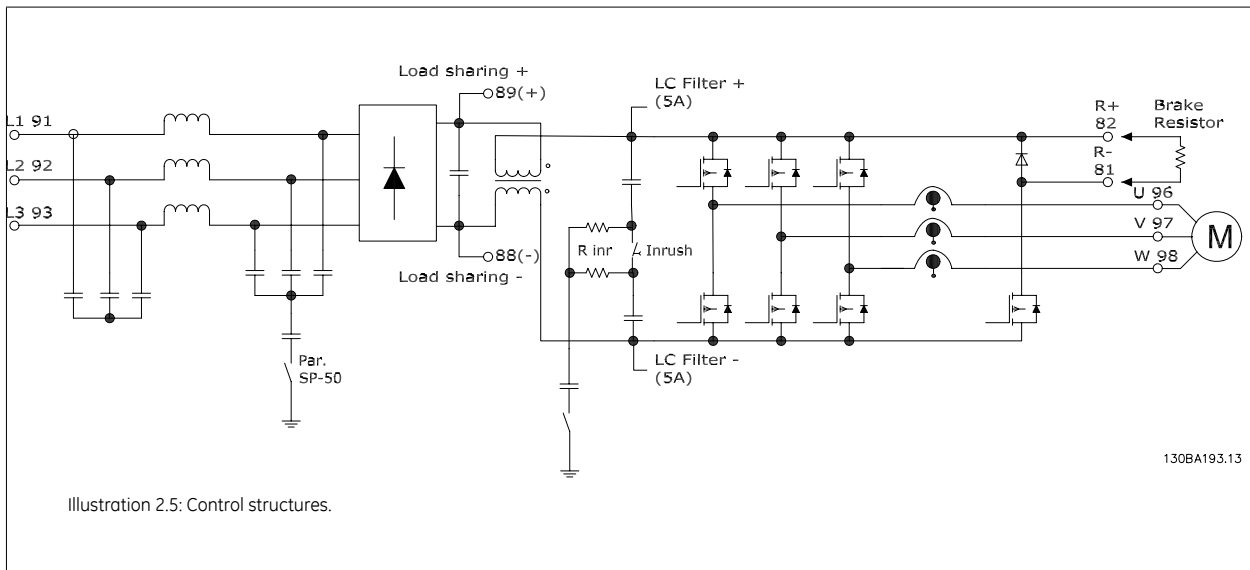




## 2.8 Control Structures

### 2.8.1 Control Principle

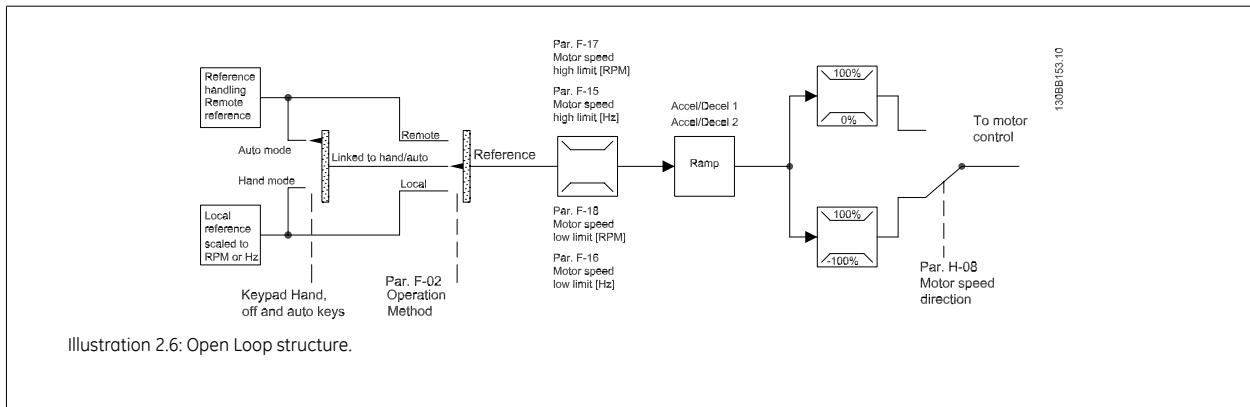
2



The frequency converter is a high performance unit for demanding applications. It can handle various kinds of motor control principles such as U/f special motor mode and advanced vector control and can handle normal squirrel cage asynchronous motors. Short circuit behavior on this drive depends on the 3 current transducers in the motor phases.

In par. H-40 *Configuration Mode* it can be selected if open or closed loop is to be used

### 2.8.2 Control Structure Open Loop



In the configuration shown in the illustration above, par. H-40 *Configuration Mode* is set to Open loop [0]. The resulting reference from the reference handling system or the local reference is received and fed through the ramp limitation and speed limitation before being sent to the motor control. The output from the motor control is then limited by the maximum frequency limit.



### 2.8.3 Local (Hand) and Remote (Auto) Control

The frequency converter can be operated manually via keypad or remotely via analog/digital inputs or serial bus.

If allowed in par. K-40 [Hand] Button on Keypad, par. K-41 [Off] Button on Keypad, par. K-42 [Auto] Button on Keypad, and par. K-43 [Reset] Button on Keypad, it is possible to start and stop the frequency converter by keypad using the [Hand] and [Off] keys. Alarms can be reset via the [RESET] key. After pressing the [Hand] key, the frequency converter goes into Hand Mode and follows (as default) the Local reference set by using the keypad arrow keys up [▲] and down [▼].

After pressing the [Auto] key, the frequency converter goes into Auto mode and follows (as default) the Remote reference. In this mode, it is possible to control the frequency converter via the digital inputs and various serial interfaces (RS-485, USB, or an optional network). See more about starting, stopping, changing ramps and parameter set-ups etc. par. group O-5# (serial communication).



Hand Off Auto keypad Keys	Reference Site par. F-02 Operation Method	Active Reference
Hand	Linked to Hand / Auto	Local
Hand -> Off	Linked to Hand / Auto	Local
Auto	Linked to Hand / Auto	Remote
Auto -> Off	Linked to Hand / Auto	Remote
All keys	Local	Local
All keys	Remote	Remote

The table shows under which conditions either the Local Reference or the Remote Reference is active. One of them is always active, but both can not be active at the same time.

Local reference will force the configuration mode to open loop, independent on the setting of par. H-40 Configuration Mode.

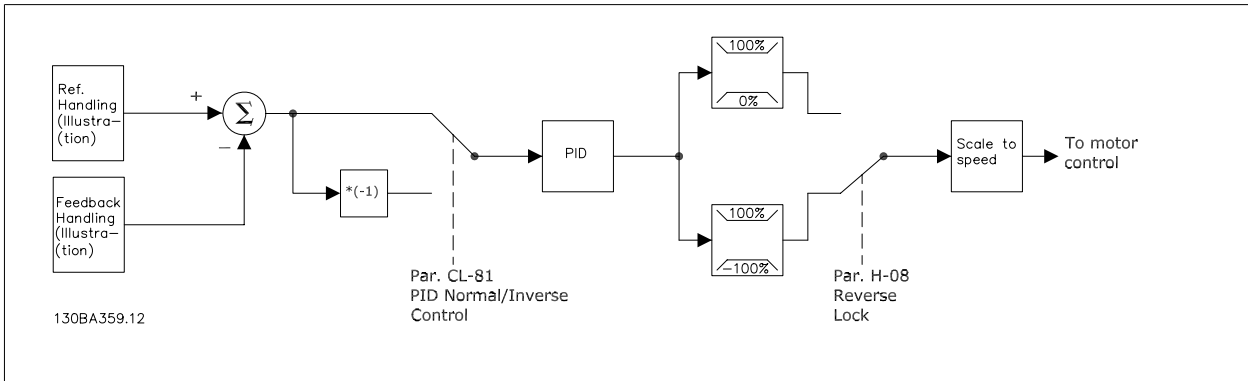
**NB!**

Local Reference will be restored at power-down.

### 2.8.4 Control Structure Closed Loop

The closed loop controller allows the drive to become an integral part of the controlled system. The drive receives a feedback signal from a sensor in the system. It then compares this feedback to a set-point reference value and determines the error, if any, between these two signals. It then adjusts the speed of the motor to correct this error.

For example, consider a pump application where the speed of a pump is to be controlled so that the static pressure in a pipe is constant. The desired static pressure value is supplied to the drive as the set-point reference. A static pressure sensor measures the actual static pressure in the pipe and supplies this to the drive as a feedback signal. If the feedback signal is greater than the set-point reference, the drive will slow down to reduce the pressure. In a similar way, if the pipe pressure is lower than the set-point reference, the drive will automatically speed up to increase the pressure provided by the pump.

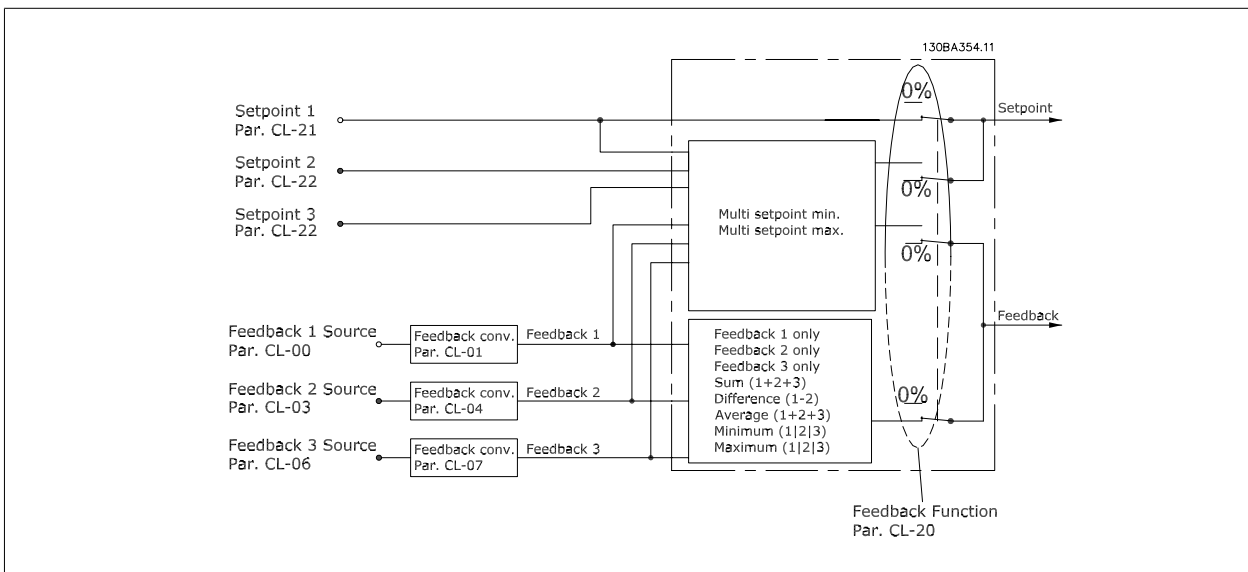

**NB!**

While the default values for the drive's Closed Loop controller will often provide satisfactory performance, the control of the system can often be optimized by adjusting some of the Closed Loop controller's parameters. It is also possible to autotune the PI constants.

The figure is a block diagram of the drive's Closed Loop controller. The details of the Reference Handling block and Feedback Handling block are described in their respective sections below.

## 2.8.5 Feedback Handling

A block diagram of how the drive processes the feedback signal is shown below.



Feedback handling can be configured to work with applications requiring advanced control, such as multiple setpoints and multiple feedbacks. Three types of control are common.

### Single Zone, Single Setpoint

Single Zone Single Setpoint is a basic configuration. Setpoint 1 is added to any other reference (if any, see Reference Handling) and the feedback signal is selected using par. CL-20 *Feedback Function*.

### Multi Zone, Single Setpoint

Multi Zone Single Setpoint uses two or three feedback sensors but only one setpoint. The feedbacks can be added, subtracted (only feedback 1 and 2) or averaged. In addition, the maximum or minimum value may be used. Setpoint 1 is used exclusively in this configuration.

If *Multi Setpoint Min* [13] is selected, the setpoint/feedback pair with the largest difference controls the speed of the drive. *Multi Setpoint Maximum* [14] attempts to keep all zones at or below their respective setpoints, while *Multi Setpoint Min* [13] attempts to keep all zones at or above their respective setpoints.

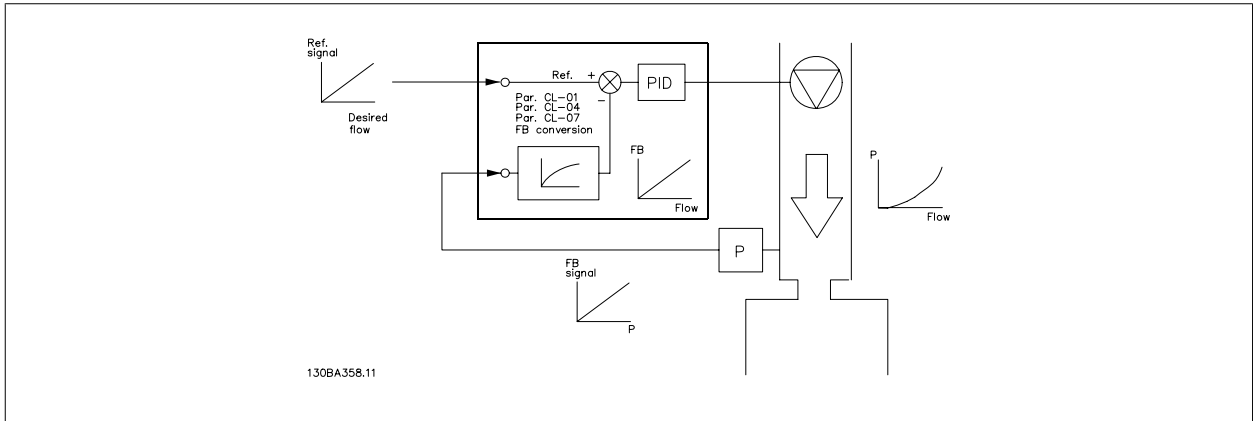


**Example:**

A two zone two setpoint application Zone 1 setpoint is 15 bar and the feedback is 5.5 bar. Zone 2 setpoint is 4.4 bar and the feedback is 4.6 bar. If *Multi Setpoint Max* [14] is selected, Zone 1's setpoint and feedback are sent to the PID controller, since this has the smaller difference (feedback is higher than setpoint, resulting in a negative difference). If *Multi Setpoint Min* [13] is selected, Zone 2's setpoint and feedback is sent to the PID controller, since this has the larger difference (feedback is lower than setpoint, resulting in a positive difference).

### 2.8.6 Feedback Conversion

In some applications it may be useful to convert the feedback signal. One example of this is using a pressure signal to provide flow feedback. Since the square root of pressure is proportional to flow, the square root of the pressure signal yields a value proportional to the flow. This is shown below.

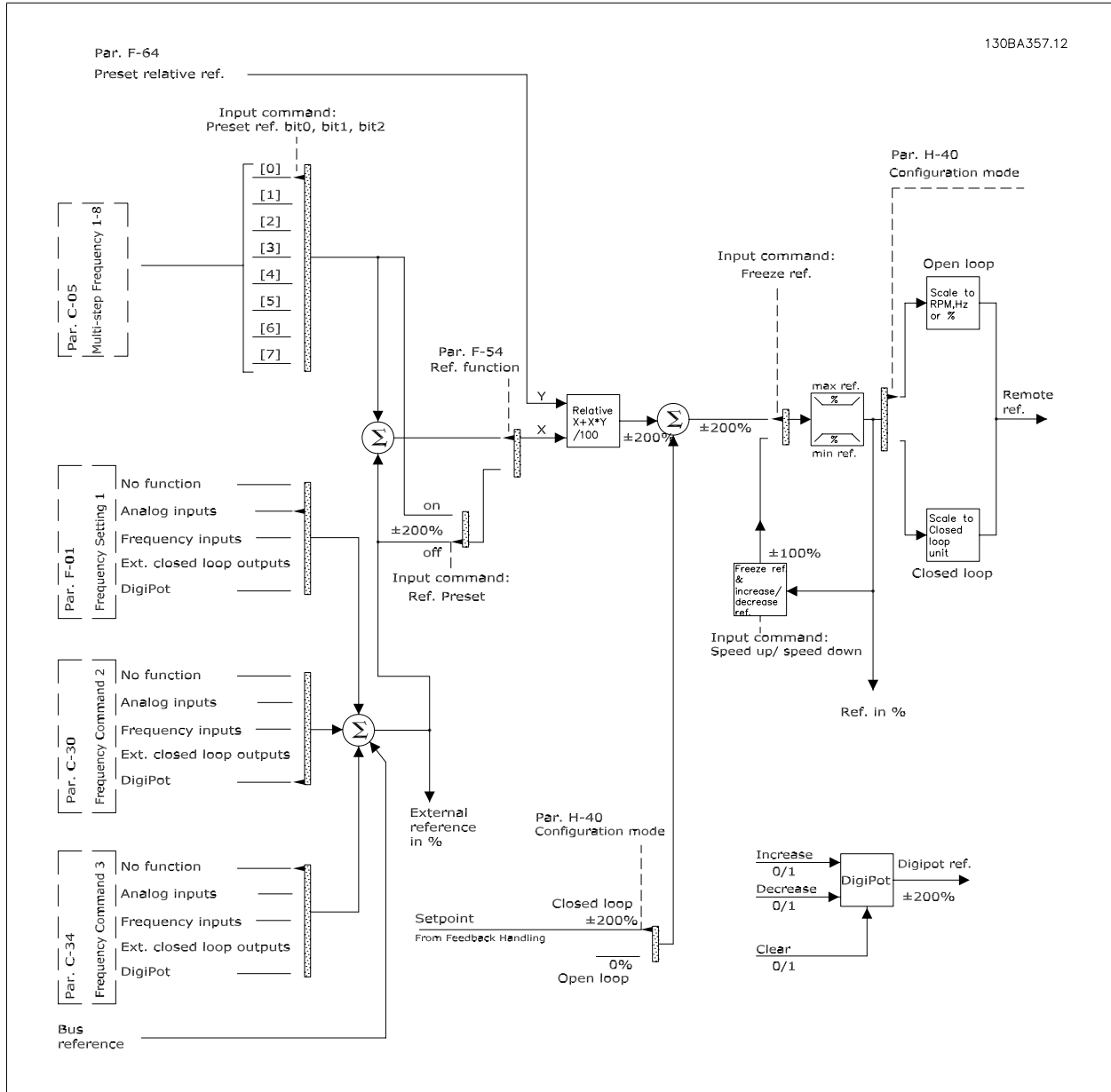


## 2.8.7 Reference Handling

Details for Open Loop and Closed Loop operation.

A block diagram of how the drive produces the Remote Reference is shown below.

2



The Remote Reference is comprised of:

- Preset references.
- External references (analog inputs, pulse frequency inputs, digital potentiometer inputs and serial communication bus references).
- The Preset relative reference.
- Feedback controlled setpoint.

Up to 8 preset references can be programmed in the drive. The active preset reference can be selected using digital inputs or the serial communications bus. The reference can also be supplied externally, most commonly from an analog input. This external source is selected by one of the 3 Reference Source parameters (par. F-01 *Frequency Setting 1*, par. C-30 *Frequency Command 2* and par. C-34 *Frequency Command 3*). Digipot is a digital potentiometer. This is also commonly called a Speed Up/Speed Down Control or a Floating Point Control. To set it up, one digital input is programmed to increase the reference while another digital input is programmed to decrease the reference. A third digital input can be used to reset the Digipot reference. All reference resources and the bus reference are added to produce the total External Reference. The External Reference, the Preset Reference or the sum of the two can be selected to be the active reference. Finally, this reference can be scaled using par. F-64 *Preset Relative Reference*.

The scaled reference is calculated as follows:

$$\text{Reference} = X + X \times \left( \frac{Y}{100} \right)$$

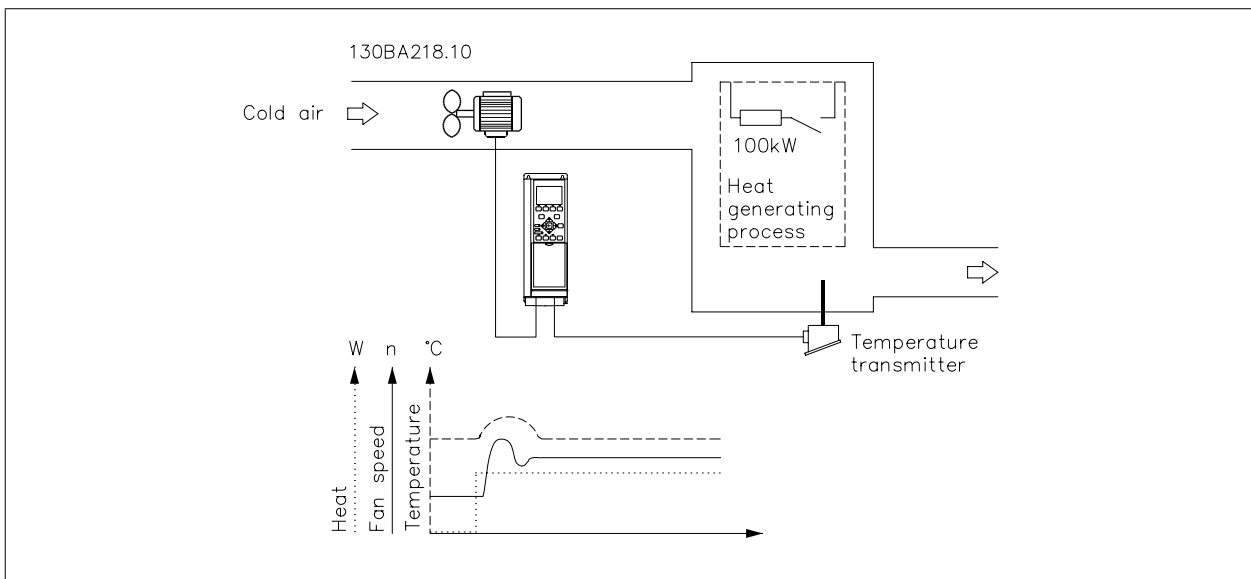
Where X is the external reference, the preset reference or the sum of these and Y is par. F-64 *Preset Relative Reference* in [%].

**NB!**

If Y, par. F-64 *Preset Relative Reference* is set to 0%, the reference will not be affected by the scaling

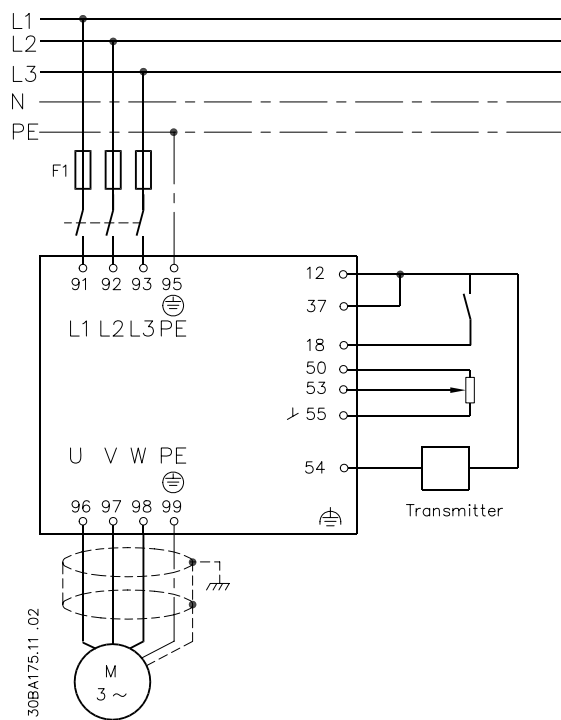
### 2.8.8 Example of Closed Loop PID Control

The following is an example of a Closed Loop Control for a ventilation system:



In a ventilation system, the temperature is to be maintained at a constant value. The desired temperature is set between -5 and +35°C using a 0-10 volt potentiometer. Because this is a cooling application, if the temperature is above the set-point value, the speed of the fan must be increased to provide more cooling air flow. The temperature sensor has a range of -10 to +40°C and uses a two-wire transmitter to provide a 4-20 mA signal. The output frequency range of the frequency converter is 10 to 50 Hz.

1. Start/Stop via switch connected between terminals 12 (+24 V) and 18.
2. Temperature reference via a potentiometer (-5 to +35°C, 0-10 V) connected to terminals 50 (+10 V), 53 (input) and 55 (common).
3. Temperature feedback via transmitter (-10-40°C, 4-20 mA) connected to terminal 54. Switch S202 behind the keypad set to ON (current input).



## 2.8.9 Programming Order

Function	Par. no.	Setting
<b>1) Make sure the motor runs properly. Do the following:</b>		
Set the motor parameters using nameplate data.	P-0# & F-04, F-05	As specified by motor name plate
Run Auto Tune.	P-04	Enable complete Auto Tune [1] and then run the Auto Tune function.
<b>2) Check that the motor is running in the right direction.</b>		
Run Motor Rotation Check.	P-08	If the motor runs in the wrong direction, remove power temporarily and reverse two of the motor phases.
<b>3) Make sure the frequency converter limits are set to safe values</b>		
Check that the ramp settings are within capabilities of the drive and allowed application operating specifications.	F-07 F-08	60 sec. 60 sec. Depends on motor/load size! Also active in Hand mode.
Prohibit the motor from reversing (if necessary)	H-08	Clockwise [0]
Set acceptable limits for the motor speed.	F-16 F-15 F-03	10 Hz, Motor min speed 50 Hz, Motor max speed 50 Hz, Drive max output frequency
Switch from open loop to closed loop.	H-40	Closed Loop [3]
<b>4) Configure the feedback to the PID controller.</b>		
Select the appropriate reference/feedback unit.	CL-12	Bar [71]
<b>5) Configure the set-point reference for the PID controller.</b>		
Set acceptable limits for the set-point reference.	CL-13 CL-14	0 Bar 10 Bar
Choose current or voltage by switches S201 / S202		
<b>6) Scale the analog inputs used for set-point reference and feedback.</b>		
Scale Analog Input 53 for the pressure range of the potentiometer (0 - 10 Bar, 0 - 10 V).	AN-10 AN-11 AN-14 AN-15	0 V 10 V (default) 0 Bar 10 Bar
Scale Analog Input 54 for pressure sensor (0 - 10 Bar, 4 - 20 mA)	AN-22 AN-23 AN-24 AN-25	4 mA 20 mA (default) 0 Bar 10 Bar
<b>7) Tune the PID controller parameters.</b>		
Adjust the drive's Closed Loop Controller, if needed.	CL-93 CL-94	See Optimization of the PID Controller, below.
<b>8) Finished!</b>		
Save the parameter setting to the keypad for safe keeping	K-50	All to keypad [1]



## 2.8.10 Tuning the Drive Closed Loop Controller

Once the drive's Closed Loop Controller has been set up, the performance of the controller should be tested. In many cases, its performance may be acceptable using the default values of par. CL-93 *PID Proportional Gain* and par. CL-94 *PID Integral Time*. However, in some cases it may be helpful to optimize these parameter values to provide faster system response while still controlling speed overshoot.

## 2.8.11 Manual PID Adjustment

1. Start the motor
2. Set par. CL-93 *PID Proportional Gain* to 0.3 and increase it until the feedback signal begins to oscillate. If necessary, start and stop the drive or make step changes in the set-point reference to attempt to cause oscillation. Next reduce the PID Proportional Gain until the feedback signal stabilizes. Then reduce the proportional gain by 40-60%.
3. Set par. CL-94 *PID Integral Time* to 20 sec. and reduce it until the feedback signal begins to oscillate. If necessary, start and stop the drive or make step changes in the set-point reference to attempt to cause oscillation. Next, increase the PID Integral Time until the feedback signal stabilizes. Then increase of the Integral Time by 15-50%.
4. par. CL-95 *PID Differentiation Time* should only be used for very fast-acting systems. The typical value is 25% of par. CL-94 *PID Integral Time*. The differential function should only be used when the setting of the proportional gain and the integral time has been fully optimized. Make sure that oscillations of the feedback signal are sufficiently dampened by the low-pass filter for the feedback signal (par. AN-16, AN-26, E-64 or E-69 as required).

## 2.9 General Aspects of EMC

### 2.9.1 General Aspects of EMC Emissions

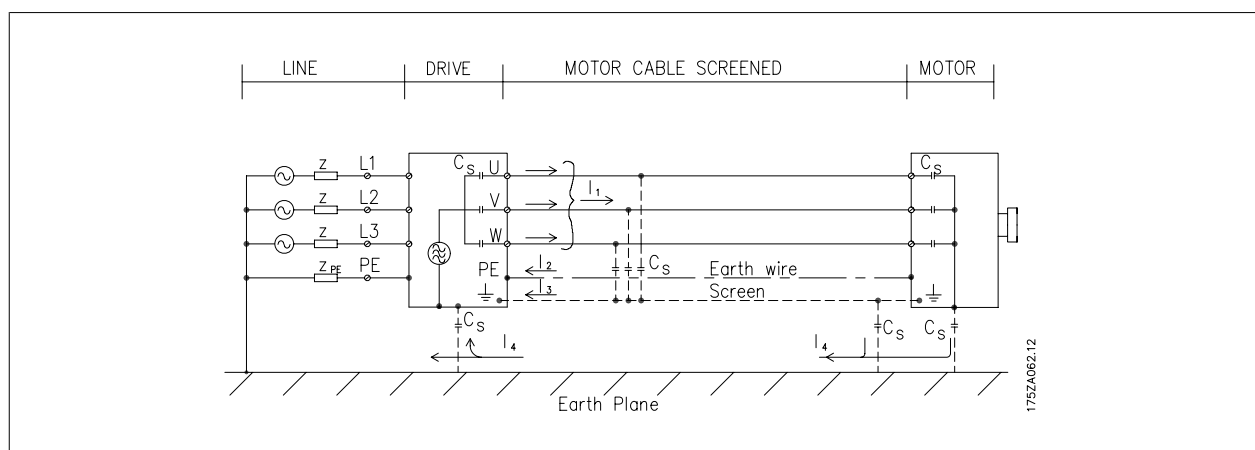
Electrical interference is usually conducted at frequencies in the range 150 kHz to 30 MHz. Airborne interference from the drive system in the range 30 MHz to 1 GHz is generated from the inverter, motor cable, and the motor.

As shown in the illustration below, capacitive currents in the motor cable coupled with a high  $dV/dt$  from the motor voltage generate leakage currents.

The use of a screened motor cable increases the leakage current (see illustration below) because screened cables have higher capacitance to earth than unshielded cables. If the leakage current is not filtered, it will cause greater interference on the mains in the radio frequency range below approximately 5 MHz. Since the leakage current ( $I_1$ ) is carried back to the unit through the screen ( $I_3$ ), there will in principle only be a small electro-magnetic field ( $I_4$ ) from the screened motor cable according to the below figure.

The screen reduces the radiated interference but increases the low-frequency interference on the mains. The motor cable screen must be connected to the frequency converter enclosure as well as on the motor enclosure. This is best done by using integrated screen clamps so as to avoid twisted screen ends (pigtails). These increase the screen impedance at higher frequencies, which reduces the screen effect and increases the leakage current ( $I_4$ ).

If a screened cable is used for network/network, relay, control cable, signal interface and brake, the screen must be mounted on the enclosure at both ends. In some situations, however, it will be necessary to break the screen to avoid current loops.



If the screen is to be placed on a mounting plate for the frequency converter, the mounting plate must be made of metal, because the screen currents have to be conveyed back to the unit. Moreover, ensure good electrical contact from the mounting plate through the mounting screws to the frequency converter chassis.





**NB!**

When unscreened cables are used, some emission requirements are not complied with, although the immunity requirements are observed.

2

In order to reduce the interference level from the entire system (unit + installation), make motor and brake cables as short as possible. Avoid placing cables with a sensitive signal level alongside motor and brake cables. Radio interference higher than 50 MHz (airborne) is especially generated by the control electronics.

### 2.9.2 Emission Requirements

According to the EMC product standard for adjustable speed frequency converters EN/IEC61800-3:2004 the EMC requirements depend on the intended use of the frequency converter. Four categories are defined in the EMC product standard. The definitions of the four categories together with the requirements for mains supply voltage conducted emissions are given in the table below:

Category	Definition	Conducted emission requirement according to the limits given in EN55011
C1	frequency converters installed in the first environment (home and office) with a supply voltage less than 1000 V.	Class B
C2	frequency converters installed in the first environment (home and office) with a supply voltage less than 1000 V, which are neither plug-in nor movable and are intended to be installed and commissioned by a professional.	Class A Group 1
C3	frequency converters installed in the second environment (industrial) with a supply voltage lower than 1000 V.	Class A Group 2
C4	frequency converters installed in the second environment with a supply voltage equal to or above 1000 V or rated current equal to or above 400 A or intended for use in complex systems.	No limit line. An EMC plan should be made.

When the generic emission standards are used the frequency converters are required to comply with the following limits:

Environment	Generic standard	Conducted emission requirement according to the limits given in EN55011
First environment (home and office)	EN/IEC61000-6-3 Emission standard for residential, commercial and light industrial environments.	Class B
Second environment (industrial environment)	EN/IEC61000-6-4 Emission standard for industrial environments.	Class A Group 1

### 2.9.3 EMC Test Results (Emission)

The following test results have been obtained using a system with a frequency converter (with options if relevant), a screened control cable, a control box with potentiometer, as well as a motor and motor screened cable.

RFI filter type	Conducted emission. Maximum shielded cable length.			Radiated emission	
	Industrial environment	Housing, trades and light industries	Industrial environment	Housing, trades and light industries	
Standard	EN 55011 Class A2	EN 55011 Class A1	EN 55011 Class B	EN 55011 Class A1	EN 55011 Class B
<b>A1/B1 RFI Filter installed</b>					
0.75-45 kW 200-240 V	150 m	150 m	50 m	Yes	No
0.75-90 kW 380-480 V	150 m	150 m	50 m	Yes	No
<b>No A1/B1 RFI Filter installed</b>					
0.75-3.7 kW 200-240 V	5 m	No	No	No	No
5.5-45 kW 200-240 V	25 m	No	No	No	No
0.75-7.5 kW 380-480 V	5 m	No	No	No	No
11-90 kW 380-480 V	25 m	No	No	No	No
110-1000 kW 380-480 V	150 m	No	No	No	No
110-1200 kW 525-690 V	150 m	No	No	No	No
<b>No A1/B1 RFI Filter installed</b>					
0.75-90 kW 525-600 V	-	-	-	-	-

Table 2.1: EMC Test Results (Emission)



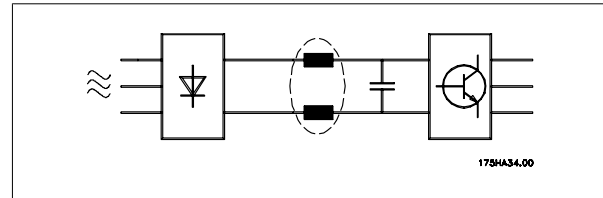
### 2.9.4 General Aspects of Harmonics Emission

A frequency converter takes up a non-sinusoidal current from mains, which increases the input current  $I_{RMS}$ . A non-sinusoidal current is transformed by means of a Fourier analysis and split up into sine-wave currents with different frequencies, i.e. different harmonic currents  $I_N$  with 50 Hz as the basic frequency:

Harmonic currents	$I_1$	$I_5$	$I_7$
Hz	50 Hz	250 Hz	350 Hz

2

The harmonics do not affect the power consumption directly but increase the heat losses in the installation (transformer, cables). Consequently, in plants with a high percentage of rectifier load, maintain harmonic currents at a low level to avoid overload of the transformer and high temperature in the cables.



**NB!**  
Some of the harmonic currents might disturb communication equipment connected to the same transformer or cause resonance in connection with power-factor correction batteries.

**NB!**  
To ensure low harmonic currents, the frequency converter is equipped with intermediate circuit coils as standard. This normally reduces the input current  $I_{RMS}$  by 40%.

The voltage distortion on the mains supply voltage depends on the size of the harmonic currents multiplied by the mains impedance for the frequency in question. The total voltage distortion THD is calculated on the basis of the individual voltage harmonics using this formula:

$$THD \% = \sqrt{U_5^2 + U_7^2 + \dots + U_N^2} \quad (U_N \% \text{ of } U)$$

### 2.9.5 Harmonics Emission Requirements

Equipment connected to the public supply network:

Options:	Definition:
1	IEC/EN 61000-3-2 Class A for 3-phase balanced equipment (for professional equipment only up to 1 kW total power).
2	IEC/EN 61000-3-12 Equipment 16A-75A and professional equipment as from 1 kW up to 16A phase current.

### 2.9.6 Harmonics Test Results (Emission)

Power sizes from 0.75 kW and up to 18.5 kW in 200 V and up to 90 kW in 460 V complies with IEC/EN 61000-3-12, Table 4. Power sizes 110 - 450 kW in 460 V also complies with IEC/EN 61000-3-12 even though not required because currents are above 75 A.

Provided that the short-circuit power of the supply  $S_{sc}$  is greater than or equal to:

$$S_{SC} = \sqrt{3} \times R_{SCE} \times U_{mains} \times I_{equ} = \sqrt{3} \times 120 \times 400 \times I_{equ}$$

at the interface point between the user's supply and the public system ( $R_{SCE}$ ).

It is the responsibility of the installer or user of the equipment to ensure, by consultation with the distribution network operator if necessary, that the equipment is connected only to a supply with a short-circuit power  $S_{sc}$  greater than or equal to specified above.

Other power sizes can be connected to the public supply network by consultation with the distribution network operator.



Compliance with various system level guidelines:

The harmonic current data in the table are given in accordance with IEC/EN61000-3-12 with reference to the Power Drive Systems product standard. They may be used as the basis for calculation of the harmonic currents' influence on the power supply system and for the documentation of compliance with relevant regional guidelines: IEEE 519 -1992; G5/4.

2

### 2.9.7 Immunity Requirements

The immunity requirements for frequency converters depend on the environment where they are installed. The requirements for the industrial environment are higher than the requirements for the home and office environment. All GE frequency converters comply with the requirements for the industrial environment and consequently comply also with the lower requirements for home and office environment with a large safety margin.

In order to document immunity against electrical interference from electrical phenomena, the following immunity tests have been made on a system consisting of a frequency converter (with options if relevant), a screened control cable and a control box with potentiometer, motor cable and motor.

The tests were performed in accordance with the following basic standards:

- **EN 61000-4-2 (IEC 61000-4-2):** Electrostatic discharges (ESD): Simulation of electrostatic discharges from human beings.
- **EN 61000-4-3 (IEC 61000-4-3):** Incoming electromagnetic field radiation, amplitude modulated simulation of the effects of radar and radio communication equipment as well as mobile communications equipment.
- **EN 61000-4-4 (IEC 61000-4-4):** Burst transients: Simulation of interference brought about by switching a contactor, relay or similar devices.
- **EN 61000-4-5 (IEC 61000-4-5):** Surge transients: Simulation of transients brought about e.g. by lightning that strikes near installations.
- **EN 61000-4-6 (IEC 61000-4-6):** RF Common mode: Simulation of the effect from radio-transmission equipment joined by connection cables.

See following EMC immunity form.

Voltage range: 200-240 V, 380-480 V					
Basic standard	Burst IEC 61000-4-4	Surge IEC 61000-4-5	ESD IEC 61000-4-2	Radiated electromagnetic field IEC 61000-4-3	RF common mode voltage IEC 61000-4-6
Acceptance criterion	B	B	B	A	A
Line	4 kV CM	2 kV/2 Ω DM 4 kV/12 Ω CM	—	—	10 V <sub>RMS</sub>
Motor	4 kV CM	4 kV/2 Ω <sup>1)</sup>	—	—	10 V <sub>RMS</sub>
Brake	4 kV CM	4 kV/2 Ω <sup>1)</sup>	—	—	10 V <sub>RMS</sub>
Load sharing	4 kV CM	4 kV/2 Ω <sup>1)</sup>	—	—	10 V <sub>RMS</sub>
Control wires	2 kV CM	2 kV/2 Ω <sup>1)</sup>	—	—	10 V <sub>RMS</sub>
Standard bus	2 kV CM	2 kV/2 Ω <sup>1)</sup>	—	—	10 V <sub>RMS</sub>
Relay wires	2 kV CM	2 kV/2 Ω <sup>1)</sup>	—	—	10 V <sub>RMS</sub>
Application and network options keypad cable	2 kV CM	2 kV/2 Ω <sup>1)</sup>	—	—	10 V <sub>RMS</sub>
External 24 V DC	2 kV CM	0.5 kV/2 Ω DM 1 kV/12 Ω CM	—	—	10 V <sub>RMS</sub>
Enclosure	—	—	8 kV AD 6 kV CD	10 V/m	—

AD: Air Discharge  
 CD: Contact Discharge  
 CM: Common mode  
 DM: Differential mode  
 1. Injection on cable shield.

Table 2.2: Immunity

## 2.10 Galvanic Isolation (PELV)

### 2.10.1 PELV - Protective Extra Low Voltage

PELV offers protection by way of extra low voltage. Protection against electric shock is ensured when the electrical supply is of the PELV type and the installation is made as described in local/national regulations on PELV supplies.

All control terminals and relay terminals 01-03/04-06 comply with PELV (Protective Extra Low Voltage) (Does not apply to grounded Delta leg above 400 V).

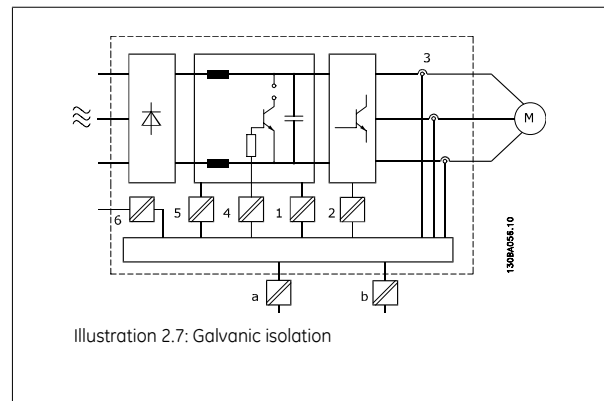
Galvanic (ensured) isolation is obtained by fulfilling requirements for higher isolation and by providing the relevant creepage/clearance distances. These requirements are described in the EN 61800-5-1 standard.

The components that make up the electrical isolation, as described below, also comply with the requirements for higher isolation and the relevant test as described in EN 61800-5-1.

The PELV galvanic isolation can be shown in six locations (see illustration):

In order to maintain PELV all connections made to the control terminals must be PELV, e.g. thermistor must be reinforced/double insulated.

1. Power supply (SMPS) incl. signal isolation of  $U_{DC}$ , indicating the intermediate current voltage.
2. Gate drive that runs the IGBTs (trigger transformers/opto-couplers).
3. Current transducers.
4. Opto-coupler, brake module.
5. Internal inrush, RFI, and temperature measurement circuits.
6. Custom relays.



The functional galvanic isolation (a and b on drawing) is for the 24 V back-up option and for the RS 485 standard bus interface.



Installation at high altitude:

380 - 480 V, unit size 1x, 2x and 3x: At altitudes above 2 km, please contact GE regarding PELV.

380 - 480V, unit size 4x, 5x and 6x: At altitudes above 3 km, please contact GE regarding PELV.

525 - 690 V: At altitudes above 2 km, please contact GE regarding PELV.

## 2.11 Earth Leakage Current



### Warning:

Touching the electrical parts may be fatal - even after the equipment has been disconnected from mains.

Also make sure that other voltage inputs have been disconnected, such as load sharing (linkage of DC intermediate circuit), as well as the motor connection for kinetic back-up.

Before touching any electrical parts, wait at least the amount of time indicated in the *Safety Precautions* section.

Shorter time is allowed only if indicated on the nameplate for the specific unit.



### Leakage Current

The earth leakage current from the frequency converter exceeds 3.5 mA. To ensure that the earth cable has a good mechanical connection to the earth connection (terminal 95), the cable cross section must be at least 10 mm<sup>2</sup> or 2 rated earth wires terminated neatly.

### Residual Current Device

This product can cause a d.c. current in the protective conductor. Where a residual current device (RCD) is used for protection in case of direct or indirect contact, only an RCD of Type B is allowed on the supply side of this product. Otherwise, another protective measure shall be applied, such as separation from the environment by double or reinforced insulation, or isolation from the supply system by a transformer.

Protective earthing of the frequency converter and the use of RCD's must always follow national and local regulations.

## 2.13 Extreme Running Conditions

### Short Circuit (Motor Phase – Phase)

The frequency converter is protected against short circuits by means of current measurement in each of the three motor phases or in the DC link. A short circuit between two output phases will cause an overcurrent in the inverter. The inverter will be turned off individually when the short circuit current exceeds the permitted value (Alarm 16 Trip Lock).

To protect the frequency converter against a short circuit at the load sharing and brake outputs please see the design guidelines.

### Switching on the Output

Switching on the output between the motor and the frequency converter is fully permitted. You cannot damage the frequency converter in any way by switching on the output. However, fault messages may appear.

### Motor-generated Over-voltage

The voltage in the intermediate circuit is increased when the motor acts as a generator. This occurs in following cases:

1. The load drives the motor (at constant output frequency from the frequency converter), ie. the load generates energy.
2. During deceleration if the moment of inertia is high, the friction is low and the decel time is too short for the energy to be dissipated as a loss in the frequency converter, the motor and the installation.
3. Incorrect slip compensation setting may cause higher DC link voltage.

The control unit may attempt to correct the ramp if possible (par. B-17 *Over-voltage Control*).

The inverter turns off to protect the transistors and the intermediate circuit capacitors when a certain voltage level is reached.

See par. B-10 *Brake Function* and par. B-17 *Over-voltage Control* to select the method used for controlling the intermediate circuit voltage level.

### Mains Drop-out

During a mains drop-out, the frequency converter keeps running until the intermediate circuit voltage drops below the minimum stop level, which is typically 15% below the frequency converter's lowest rated supply voltage. The mains voltage before the drop-out and the motor load determines how long it takes for the inverter to coast.

### Static Overload in Advanced Vector Control mode

When the frequency converter is overloaded (the torque limit in par. F-40 *Torque Limiter (Driving)*/par. F-41 *Torque Limiter (Braking)* is reached), the controls reduces the output frequency to reduce the load.

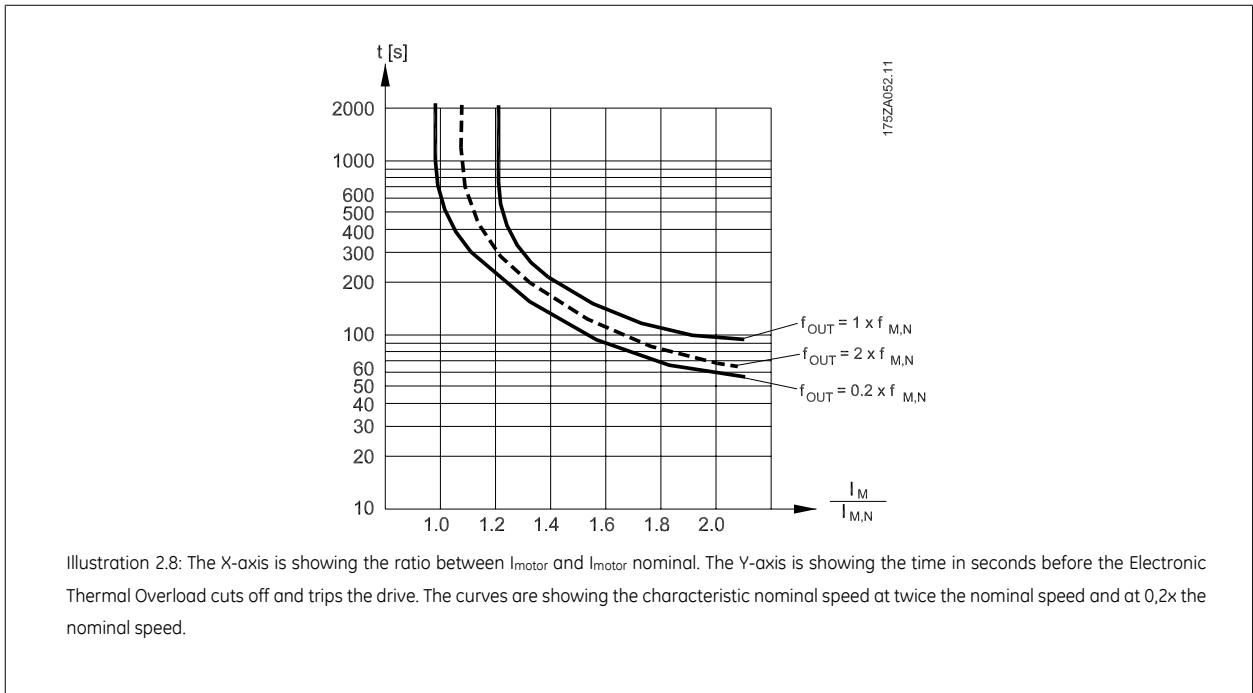
If the overload is excessive, a current may occur that makes the frequency converter cut out after approx. 5-10 s.

Operation within the torque limit is limited in time (0-60 s) in par. SP-25 *Trip Delay at Torque Limit*.



### 2.13.1 Motor Thermal Protection

This is the way GE is protecting the motor from being overheated. It is an electronic feature that simulates a bimetal relay based on internal measurements. The characteristic is shown in the following figure:



2

It is clear that at lower speed the Electronic Thermal Overload cuts off at lower heat due to less cooling of the motor. In that way the motor are protected from being over heated even at low speed. The Electronic Thermal Overload feature is calculating the motor temperature based on actual current and speed. The calculated temperature is visible as a read out parameter in par. DR-18 *Motor Thermal* in the frequency converter.

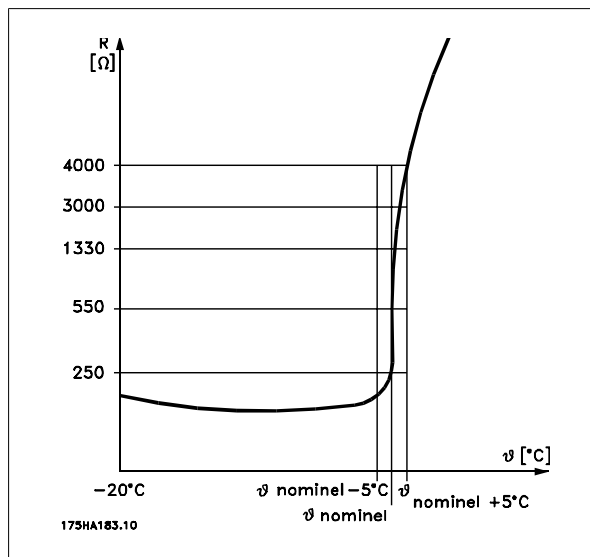


The thermistor cut-out value is  $> 3 \text{ k}\Omega$ .

Integrate a thermistor (PTC sensor) in the motor for winding protection.

2

Motor protection can be implemented using a range of techniques: PTC sensor in motor windings; mechanical thermal switch (Klixon type); or Electronic Thermal Electronic Thermal Overload.



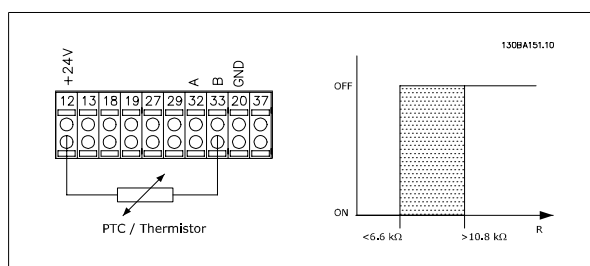
Using a digital input and 24 V as power supply:

Example: The frequency converter trips when the motor temperature is too high.

Parameter set-up:

Set par. F-10 *Electronic Overload* to *Thermistor Trip* [2]

Set par. F-12 *Motor Thermistor Input* to *Digital Input 33* [6]



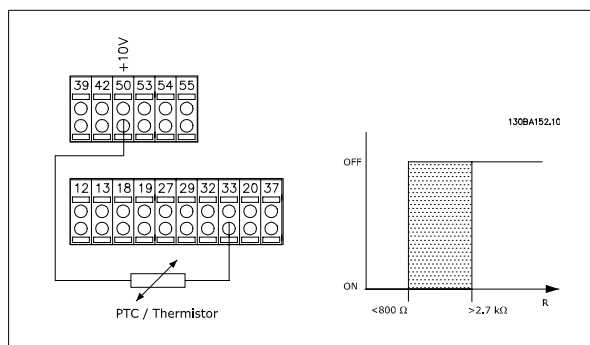
Using a digital input and 10 V as power supply:

Example: The frequency converter trips when the motor temperature is too high.

Parameter set-up:

Set par. F-10 *Electronic Overload* to *Thermistor Trip* [2]

Set par. F-12 *Motor Thermistor Input* to *Digital Input 33* [6]



Using an analog input and 10 V as power supply:

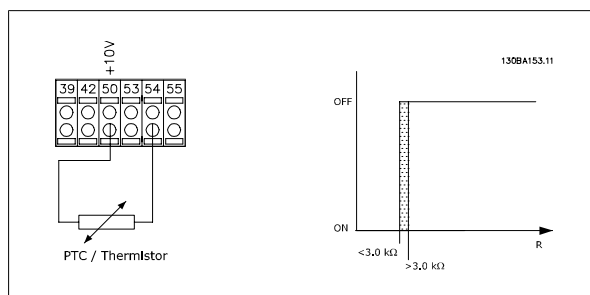
Example: The frequency converter trips when the motor temperature is too high.

Parameter set-up:

Set par. F-10 *Electronic Overload* to *Thermistor Trip* [2]

Set par. F-12 *Motor Thermistor Input* to *Analog Input 54* [2]

Do not select a reference source.



Input	Supply Voltage	Threshold
Digital/analog	Volt	Cut-out Values
Digital	24 V	$< 6.6 \text{ k}\Omega - > 10.8 \text{ k}\Omega$
Digital	10 V	$< 800\Omega - > 2.7 \text{ k}\Omega$
Analog	10 V	$< 3.0 \text{ k}\Omega - > 3.0 \text{ k}\Omega$

**NB!**

Check that the chosen supply voltage follows the specification of the used thermistor element.

**Summary**

With the Torque limit feature the motor is protected for being overloaded independent of the speed. With the Electronic Thermal Overload the motor is protected for being over heated and there is no need for any further motor protection. That means when the motor is heated up the Electronic Thermal Overload timer controls for how long time the motor can be running at the high temperature before it is stopped in order to prevent over heating. If the motor is overloaded without reaching the temperature where the Electronic Thermal Overload shuts of the motor, the torque limit is protecting the motor and application for being overloaded.

**NB!**

Electronic Thermal Overload is activated in par. F-10 *Electronic Overload* and is controlled in par. F-40 *Torque Limiter (Driving)*. The time before the torque limit warning trips the frequency converter is set in par. SP-25 *Trip Delay at Torque Limit*.







## 3 AF-600 FP Selection

### 3.1 Options and Accessories

GE offers a wide range of options and accessories for the frequency converters.

#### 3.1.1 Mounting of Option Modules in Slot B

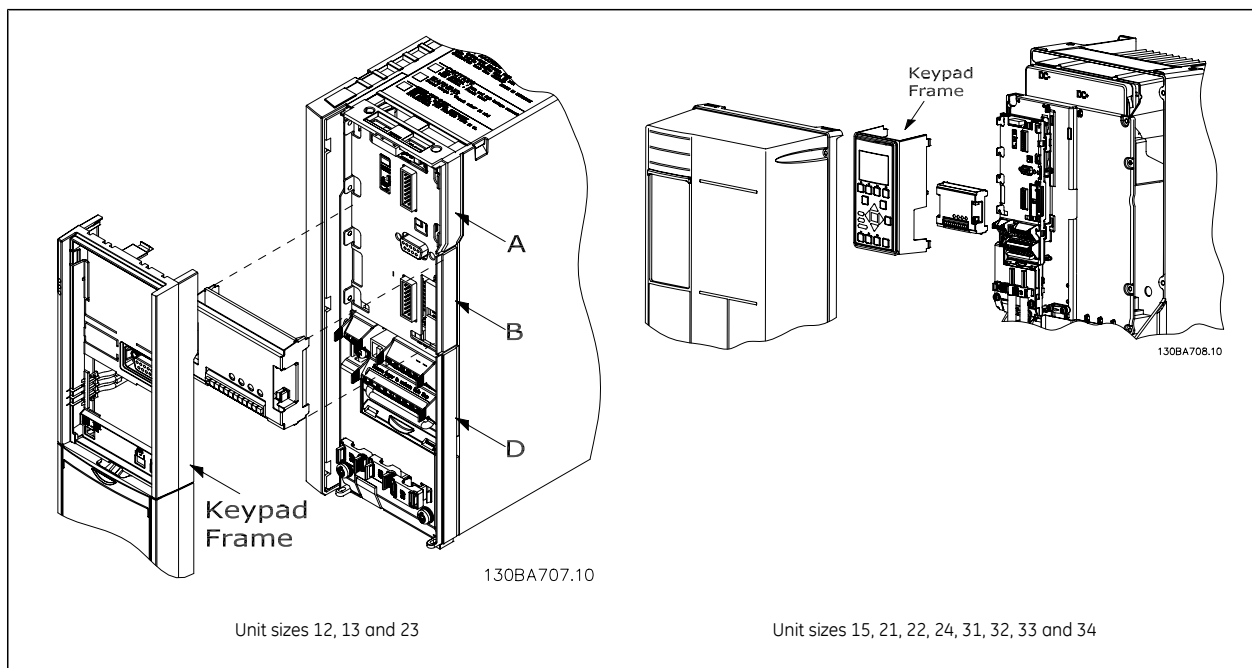
The power to the frequency converter must be disconnected.

For unit sizes 12 and 13:

- Remove the keypad, the terminal cover, and the keypad frame from the frequency converter.
- Fit the option card into slot B.
- Connect the control cables and relieve the cable by the enclosed cable strips.  
Remove the knock out in the extended keypad frame delivered in the option set, so that the option will fit under the extended keypad frame.
- Fit the extended keypad frame and terminal cover.
- Fit the keypad or blind cover in the extended keypad frame.
- Connect power to the frequency converter.
- Set up the input/output functions in the corresponding parameters, as mentioned in the section *General Technical Data*.

For unit sizes 21, 22, 31 and 32:

- Remove the keypad and the keypad cradle
- Fit the option card into slot B
- Connect the control cables and relieve the cable by the enclosed cable strips
- Fit the cradle
- Fit the keypad

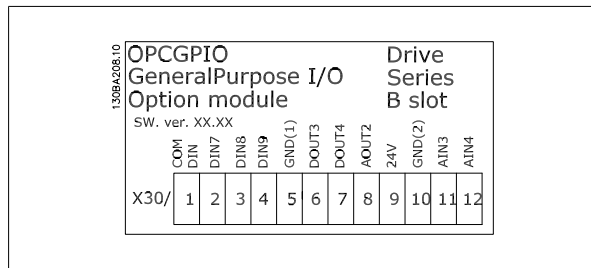


### 3.1.2 General Purpose Input Output Module OPCGPIO

OPCGPIO General Purpose I/O Option Module is used for extension of the number of digital and analog inputs and outputs of the frequency converter.

Contents: OPCGPIO must be fitted into slot B in the frequency converter.

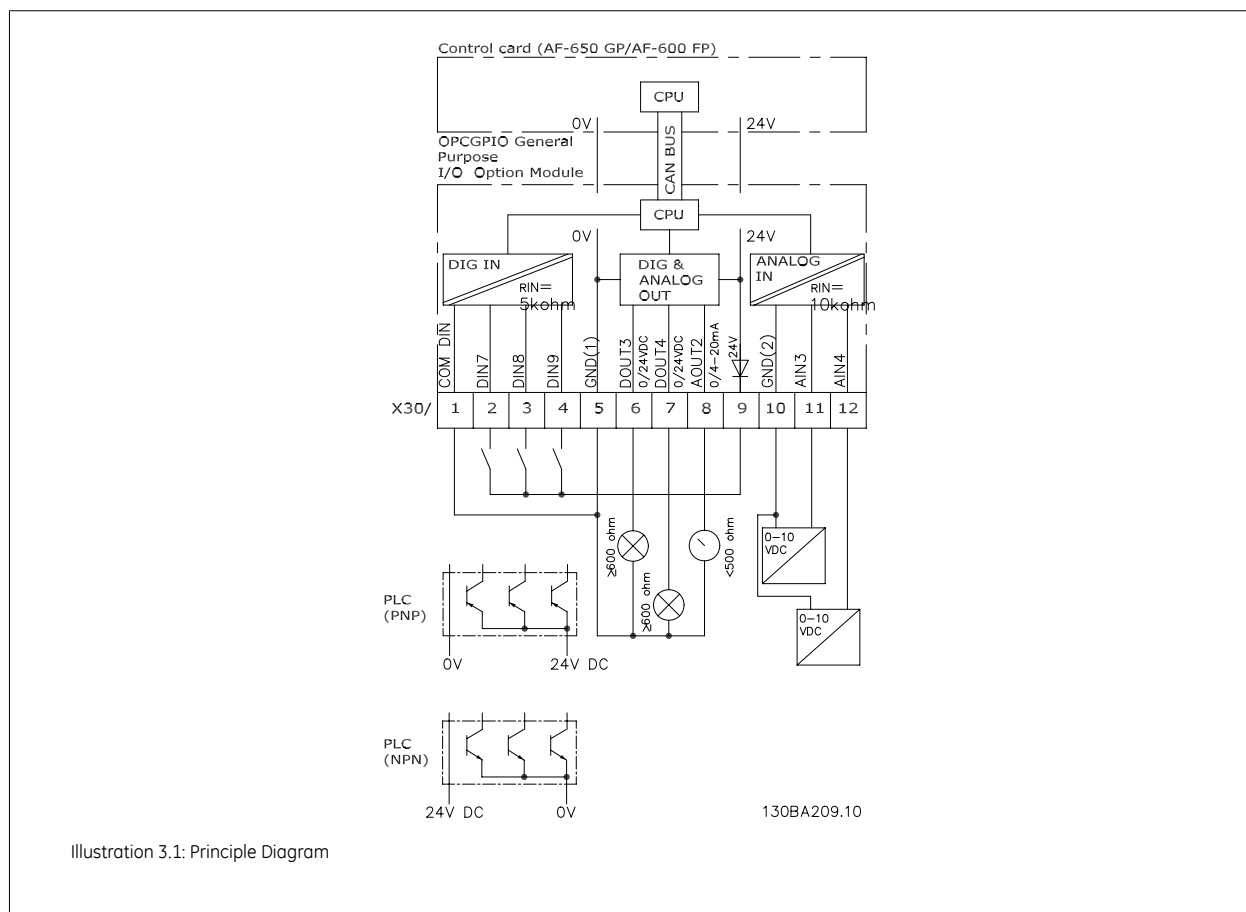
- OPCGPIO option module
- Extended keypad frame
- Terminal cover



#### Galvanic Isolation in the OPCGPIO

Digital/analog inputs are galvanically isolated from other inputs/outputs on the OPCGPIO and in the control card of the frequency converter. Digital/analog outputs in the OPCGPIO are galvanically isolated from other inputs/outputs on the OPCGPIO, but not from these on the control card of the frequency converter.

If the digital inputs 7, 8 or 9 are to be switched by use of the internal 24 V power supply (terminal 9) the connection between terminal 1 and 5 which is illustrated in the drawing has to be established.





### 3.1.3 Digital Inputs - Terminal X30/1-4

Parameters for set-up: E-53, E-54 and E-55				
Number of digital inputs	Voltage level	Voltage levels	Tolerance	Max. Input impedance
3	0-24 V DC	PNP type: Common = 0 V Logic "0": Input < 5 V DC Logic "0": Input > 10 V DC NPN type: Common = 24 V Logic "0": Input > 19 V DC Logic "0": Input < 14 V DC	$\pm 28$ V continuous $\pm 37$ V in minimum 10 sec.	Approx. 5 k ohm

3

### 3.1.4 Analog Voltage Inputs - Terminal X30/10-12

Parameters for set-up: AN-3#, AN-4# and DR-76				
Number of analog voltage inputs	Standardized input signal	Tolerance	Resolution	Max. Input impedance
2	0-10 V DC	$\pm 20$ V continuously	10 bits	Approx. 5 K ohm

### 3.1.5 Digital Outputs - Terminal X30/5-7

Parameters for set-up: E-56 and E-57			
Number of digital outputs	Output level	Tolerance	Max. impedance
2	0 or 24 V DC	$\pm 4$ V	$\geq 600$ ohm

### 3.1.6 Analog Outputs - Terminal X30/5-8

Parameters for set-up: AN-6# and DR-77			
Number of analog outputs	Output signal level	Tolerance	Max. impedance
1	0/4 - 20 mA	$\pm 0.1$ mA	< 500 ohm

### 3.1.7 OPCRLY Relay Option Module

The OPCRLY includes 3 pieces of SPDT contacts and must be fitted into option slot B.

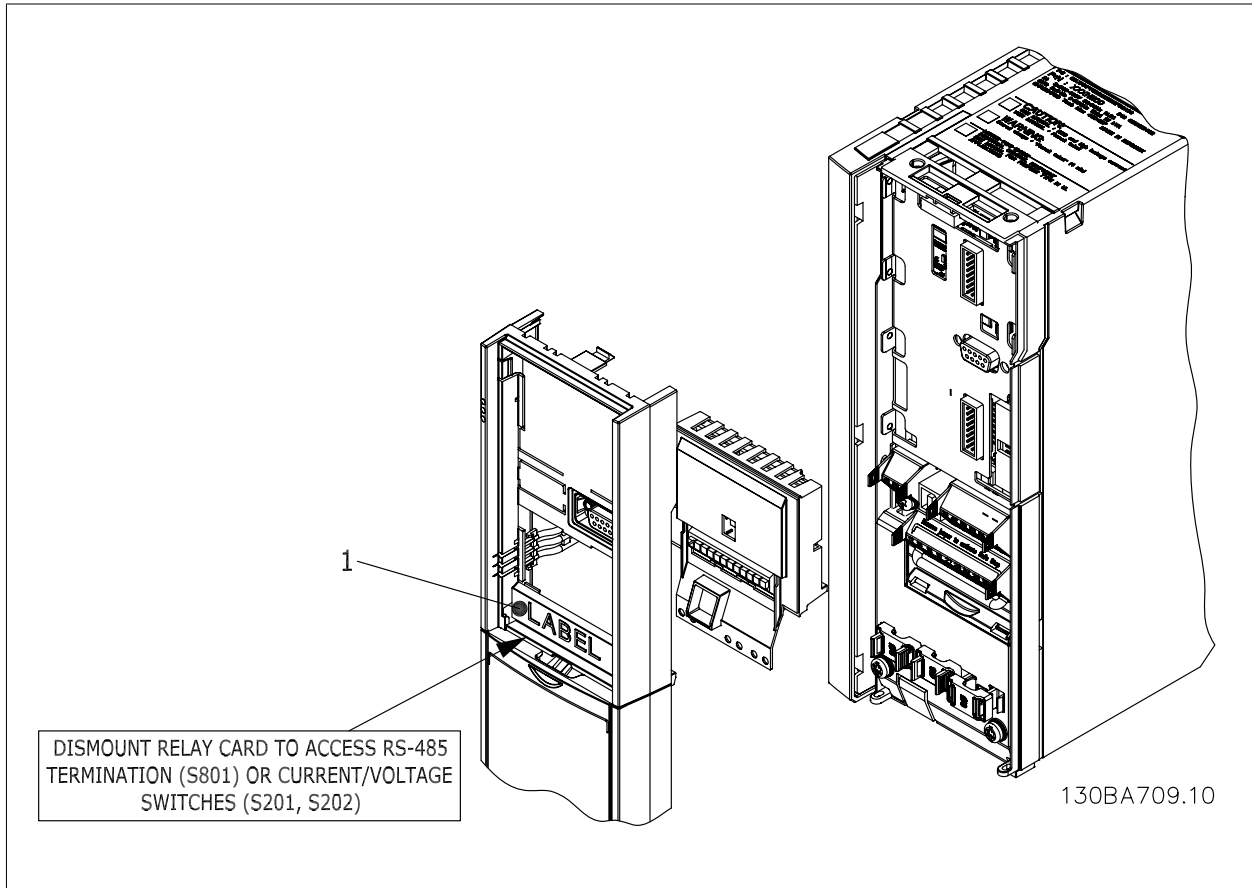
Electrical Data:

Max terminal load (AC-1) <sup>1)</sup> (Resistive load)	240 V AC 2A
Max terminal load (AC-15) <sup>1)</sup> (Inductive load @ cosφ 0.4)	240 V AC 0.2 A
Max terminal load (DC-1) <sup>1)</sup> (Resistive load)	24 V DC 1 A
Max terminal load (DC-13) <sup>1)</sup> (Inductive load)	24 V DC 0.1 A
Min terminal load (DC)	5 V 10 mA
Max switching rate at rated load/min load	6 min <sup>-1</sup> /20 sec <sup>-1</sup>

<sup>1)</sup> IEC 947 part 4 and 5

The kit includes:

- OPCRLY Relay Option Module
- Extended keypad frame and enlarged terminal cover
- Label for covering access to switches S201, S202 and S801
- Cable strips for fastening cables to relay module

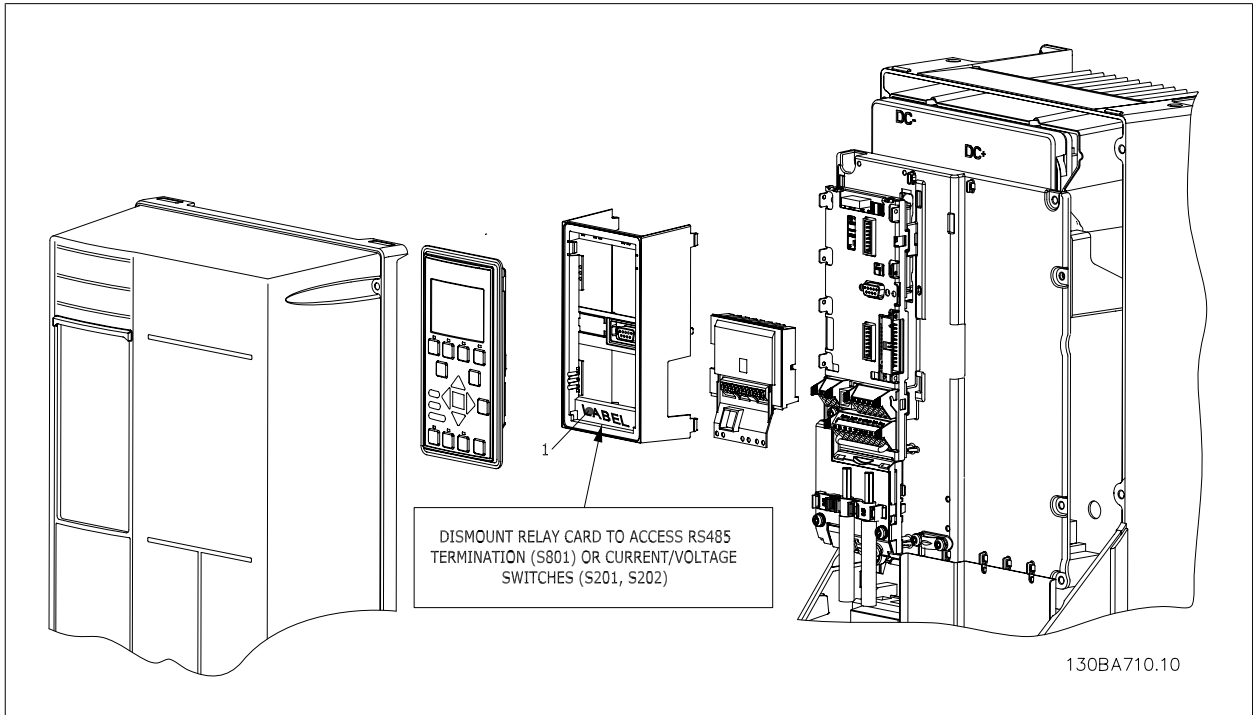




12-13-23

15-21-22-24-31-32-33-34

<sup>1)</sup> IMPORTANT! The label MUST be placed on the keypad frame as shown (UL approved).



3

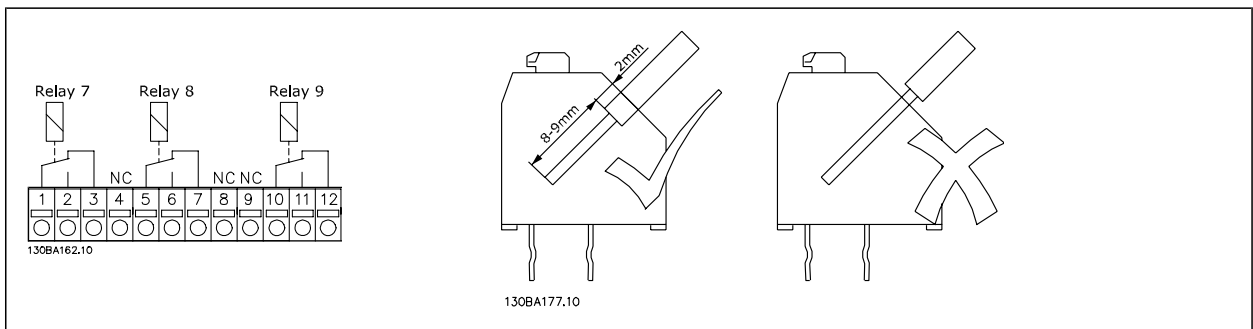


Warning Dual supply

How to add the OPCRLY option:

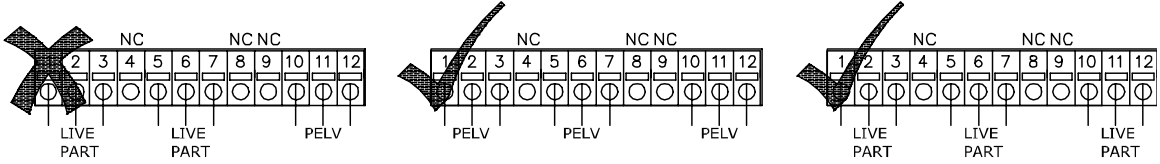
- See mounting instructions in the beginning of section *Options and Accessories*
- The power to the live part connections on relay terminals must be disconnected.
- Do not mix live parts (high voltage) with control signals (PELV).
- Select the relay functions in par. E-24 *Function Relay* [6-8], par. E-26 *On Delay, Relay* [6-8] and par. E-27 *Off Delay, Relay* [6-8].

NB! (Index [6] is relay 7, index [7] is relay 8, and index [8] is relay 9)





1308A1/6.10



3



Do not combine low voltage parts and PELV systems.



### 3.1.8 OPC24VPS 24V DC External Supply Module

#### External 24 V DC Supply

An external 24 V DC supply can be installed for low-voltage supply to the control card and any option card installed. This enables full operation of the keypad (including the parameter setting) and networks without mains supplied to the power section.

External 24 V DC supply specification:

Input voltage range	24 V DC $\pm$ 15 % (max. 37 V in 10 s)
Max. input current	2.2 A
Average input current for the frequency converter	0.9 A
Max cable length	75 m
Input capacitance load	< 10 $\mu$ F
Power-up delay	< 0.6 s

The inputs are protected.

Terminal numbers:

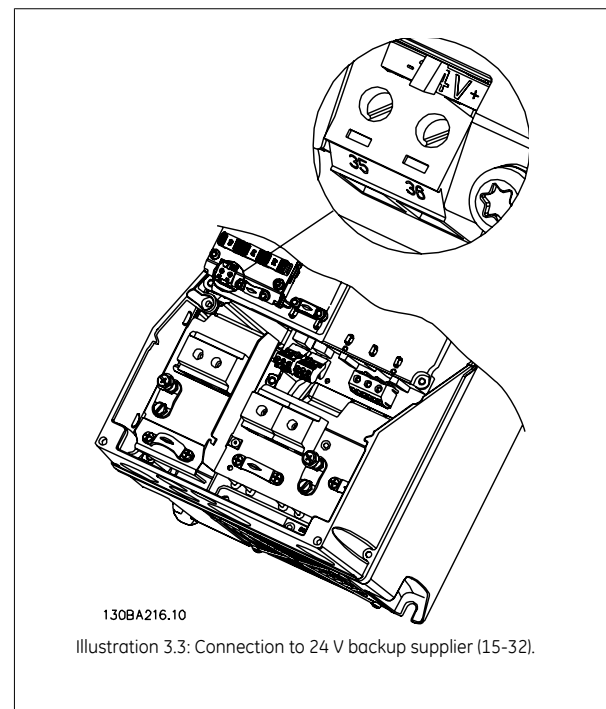
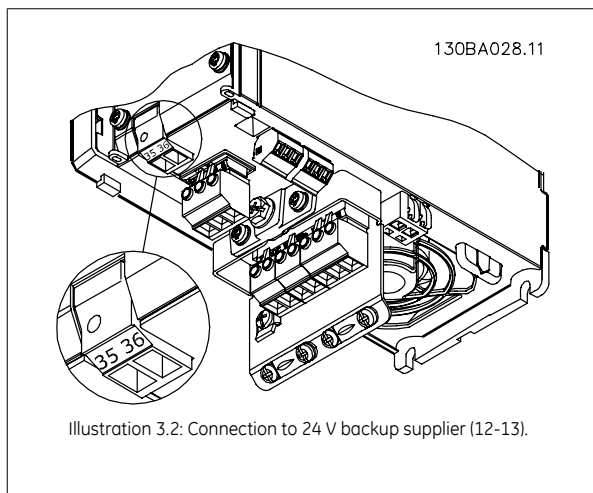
Terminal 35: - external 24 V DC supply.

Terminal 36: + external 24 V DC supply.

Follow these steps:

1. Remove the keypad or Blind Cover
2. Remove the Terminal Cover
3. Remove the Cable De-coupling Plate and the plastic cover underneath
4. Insert the 24 V DC Backup External Supply Option in the Option Slot
5. Mount the Cable De-coupling Plate
6. Attach the Terminal Cover and the keypad or Blind Cover.

When OPC24VPS, 24 V backup option is supplying the control circuit, the internal 24 V supply is automatically disconnected.



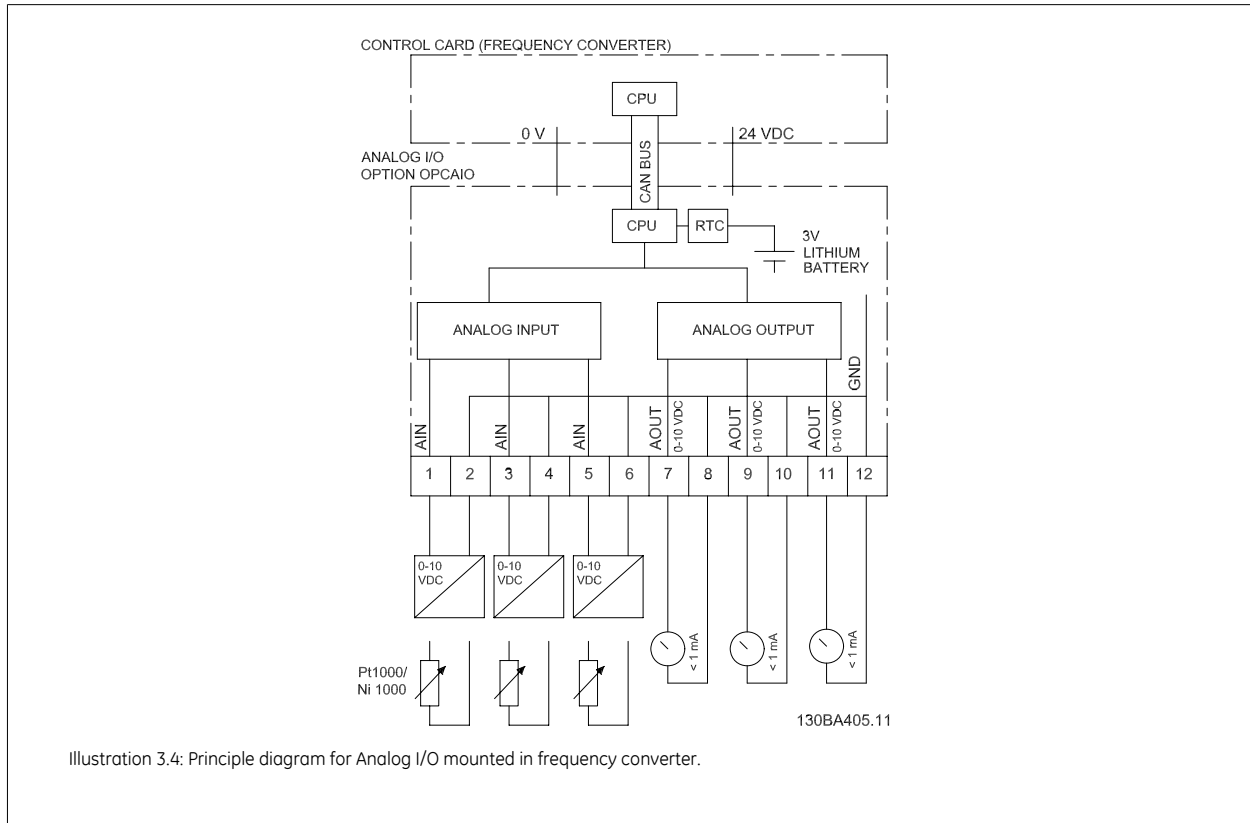


### 3.1.9 OPCAIO Analog I/O Option Module

The Analog I/O card is supposed to be used in the following cases:

- Providing battery back-up of clock function on control card
- As general extension of analog I/O selection available on control card
- Turning frequency converter into de-central I/O block supporting Building Management System with inputs for sensors and outputs for operating dampers and valve actuators
- Support Extended PID controllers with I/Os for set point inputs, transmitter/sensor inputs and outputs for actuators.

3



#### Analog I/O configuration

3 x Analog Inputs, capable of handling following:

- 0 - 10 VDC

OR

- 0-20 mA (voltage input 0-10V) by mounting a 510 $\Omega$  resistor across terminals (see NB!)
- 4-20 mA (voltage input 2-10V) by mounting a 510 $\Omega$  resistor across terminals (see NB)
- Ni1000 temperature sensor of 1000  $\Omega$  at 0° C. Specifications according to DIN43760
- Pt1000 temperature sensor of 1000  $\Omega$  at 0° C. Specifications according to IEC 60751

3 x Analog Outputs supplying 0-10 VDC.

#### NB!

Please note the values available within the different standard groups of resistors:

E12: Closest standard value is 470 $\Omega$ , creating an input of 449.9 $\Omega$  and 8.997V.

E24: Closest standard value is 510 $\Omega$ , creating an input of 486.4 $\Omega$  and 9.728V.

E48: Closest standard value is 511 $\Omega$ , creating an input of 487.3 $\Omega$  and 9.746V.

E96: Closest standard value is 523 $\Omega$ , creating an input of 498.2 $\Omega$  and 9.964V.

**Analog inputs - terminal X42/1-6**

Parameter group for read out: LG-3#. See also *AF-600 FP Programming Guide*.

Parameter groups for set-up: AO-0#, AO-1#, AO-2# and AO-3#. See also *AF-600 FP Programming Guide*.

3 x Analog inputs	Operating range	Resolution	Accuracy	Sampling	Max load	Impedance
Used as temperature sensor input	-50 to +150 °C	11 bits	-50 °C ±1 Kelvin +150 °C ±2 Kelvin	3 Hz	-	-
Used as voltage input	0 - 10 VDC	10 bits	0,2% of full scale at cal. temperature	2,4 Hz	+/- 20 V continuously	Approximately 5 kΩ

When used for voltage, analog inputs are scalable by parameters for each input.

When used for temperature sensor, analog inputs scaling is preset to necessary signal level for specified temperature span.

When analog inputs are used for temperature sensors, it is possible to read out feedback value in both °C and °F.

When operating with temperature sensors, maximum cable length to connect sensors is 80 m non-screened / non-twisted wires.

**Analog outputs - terminal X42/7-12**

Parameter group for read out and write: LG-3#. See also *AF-600 FP Programming Guide*

Parameter groups for set-up: AO-4#, AO-5# and AO-6#. See also *AF-600 FP Programming Guide*

3 x Analog outputs	Output signal level	Resolution	Linearity	Max load
Volt	0-10 VDC	11 bits	1% of full scale	1 mA

Analog outputs are scalable by parameters for each output.

The function assigned is selectable via a parameter and have same options as for analog outputs on control card.

For a more detailed description of parameters, please refer to the *AF-600 FP Programming Guide*.

**Real-time clock (RTC) with back-up**

The data format of RTC includes year, month, date, hour, minutes and weekday.

Accuracy of clock is better than ± 20 ppm at 25 °C.

The built-in lithium back-up battery lasts on average of 10 years, when frequency converter is operating at 40 °C ambient temperature. If battery pack back-up fails, analog I/O option must be exchanged.

### 3.1.10 Remote Mounting Kit for keypad

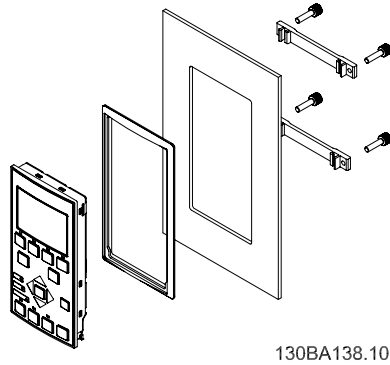
The keypad can be moved to the front of a cabinet by using the remote build in kit. The Unit Size is the IP65. The fastening screws must be tightened with a torque of max. 1 Nm.

#### Technical data

Unit Size:	IP 65 front
Max. cable length between and unit:	3 m
Communication std:	RS 485

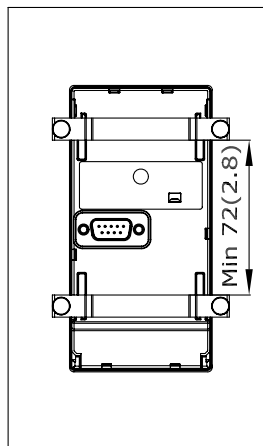
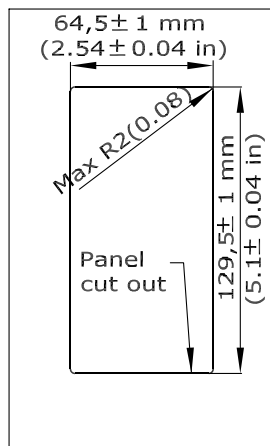
**3**

Ordering no. RMKYDAC



130BA138.10

Illustration 3.5: keypad Kit with graphical keypad, fasteners, 3 m cable and gasket.



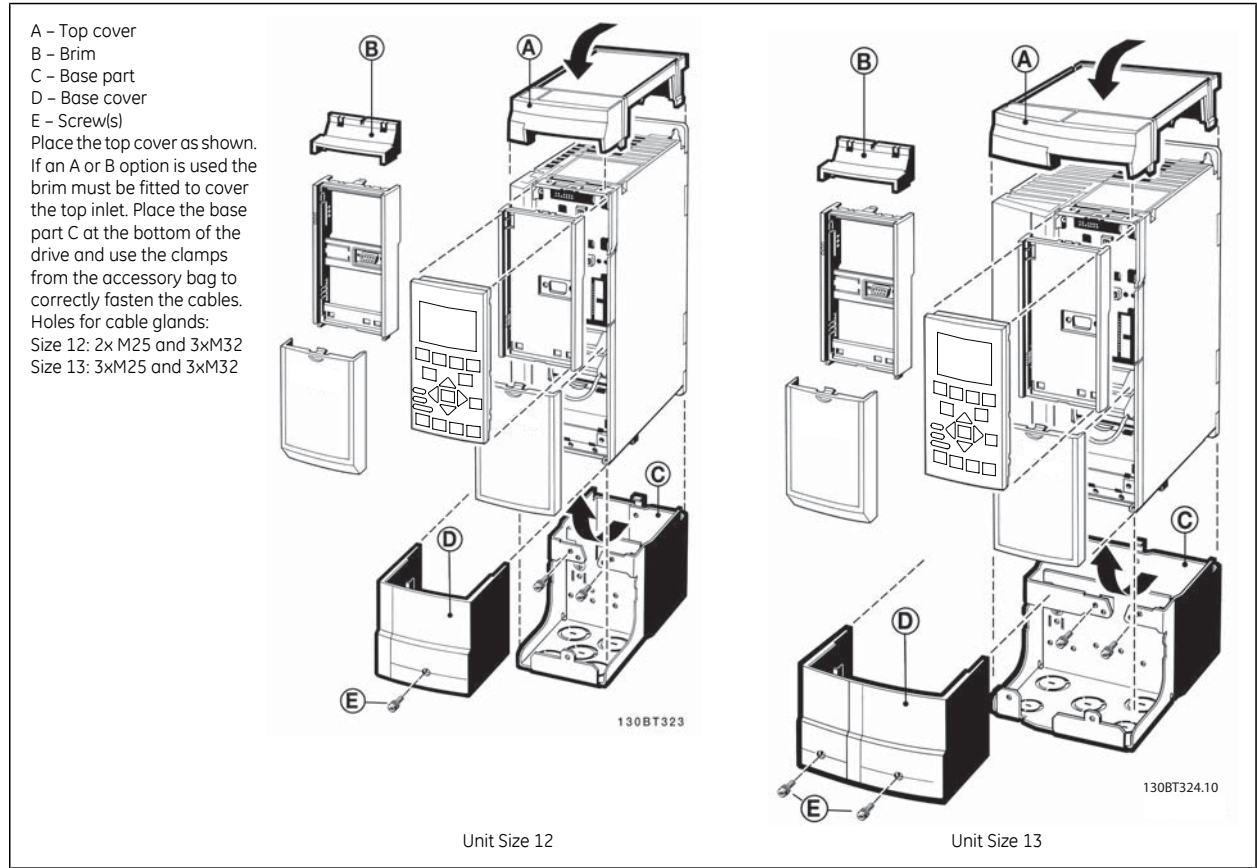
130BA139.11



### 3.1.11 IP 21/IP 4X/ TYPE 1 Enclosure Kit

IP 21/IP 4X top/ TYPE 1 is an optional enclosure element available for IP 20 Compact units, unit size 12-13.  
 If the enclosure kit is used, an IP 20 unit is upgraded to comply with enclosure IP 21/ 4X top/TYPE 1.

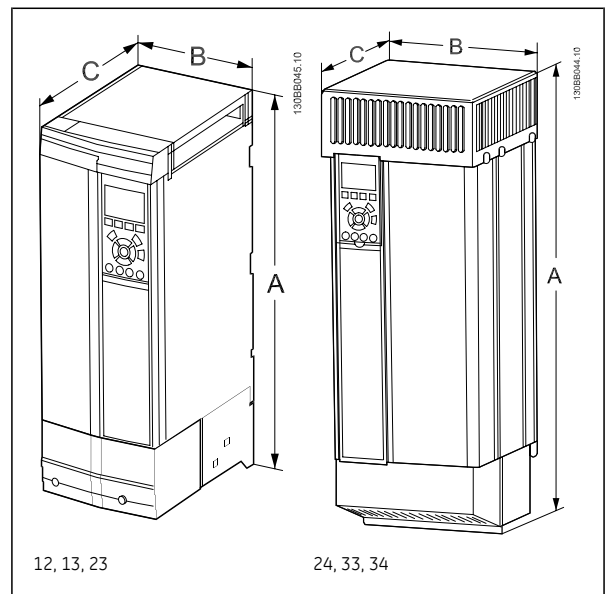
The IP 4X top can be applied to all standard IP 20 AF-600 FP variants.



3

Dimensions			
Unit type	Height (mm)	Width (mm)	Depth (mm)
12	A	B	C*
13	372	130	205
23	475	165	249
24	670	255	246
33	755	329	337
34	950	391	337

\* If option A/B is used, the depth will increase (see section Mechanical Dimensions for details)



**NB!**  
 Side-by-side installation is not possible when using the IP 21/ IP 4X/ TYPE 1 Enclosure Kit



### 3.1.12 Output Filters

The high speed switching of the frequency converter produces some secondary effects, which influence the motor and the enclosed environment. These side effects are addressed by two different filter types, the du/dt and the Sine-wave filter.

#### du/dt filters

Motor insulation stresses are often caused by the combination of rapid voltage and current increase. The rapid energy changes can also be reflected back to the DC-line in the inverter and cause shut down. The du/dt filter is designed to reduce the voltage rise time/the rapid energy change in the motor and by that intervention avoid premature aging and flashover in the motor insulation. du/dt filters have a positive influence on the radiation of magnetic noise in the cable that connects the drive to the motor. The voltage wave form is still pulse shaped but the du/dt ratio is reduced in comparison with the installation without filter.

#### Sine-wave filters

Sine-wave filters are designed to let only low frequencies pass. High frequencies are consequently shunted away which results in a sinusoidal phase to phase voltage waveform and sinusoidal current waveforms.

With the sinusoidal waveforms the use of special frequency converter motors with reinforced insulation is no longer needed. The acoustic noise from the motor is also damped as a consequence of the wave condition.

Besides the features of the du/dt filter, the sine-wave filter also reduces insulation stress and bearing currents in the motor thus leading to prolonged motor lifetime and longer periods between services. Sine-wave filters enable use of longer motor cables in applications where the motor is installed far from the drive. The length is unfortunately limited because the filter does not reduce leakage currents in the cables.



## 4 How to Install

**4.1.1 Mechanical Front Views**

12		IP20/21*																						
13		IP20/21*	130BA11.10																					
15		IP55/66	150BA9B1																					
21		IP21/55/66	210BA9B1																					
22		IP21/55/66	220BA9B1																					
23		IP20/21*	130BA26.10																					
24		IP20/21*	130BA27.10																					
31		IP21/55/66	130BA13.10																					
32		IP21/55/66	130BA13.10																					
33		IP20/21*	330BA9B1																					
34		IP20/21*	340BA9B1																					
														Illustration 4.2: Top and bottom mounting holes. (24+33+34 only)										
														Illustration 4.1: Top and bottom mounting holes.										
Accessory bags containing necessary brackets, screws and connectors are included with the drives upon delivery.																								
All measurements in mm. * IP21 can be established with a kit as described in the section: IP 21/ IP 4X/ TYPE 1 Enclosure Kit in the Design Guide.																								



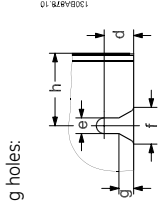
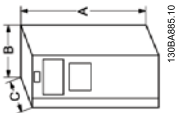
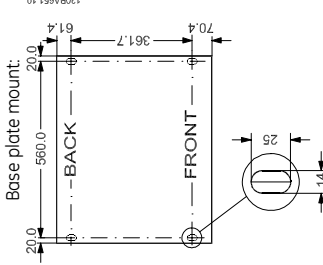
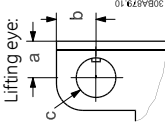
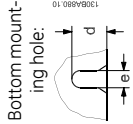
4.1.2 Mechanical Dimensions

		Mechanical dimensions													
Unit size (kW):		12	13	15	21	22	23	24	31	32	33	34			
200-240 V		0.75-2.2	3.0-3.7	0.75-3.7	5.5-11	15	5.5-11	15-18.5	18.5-30	37-45	22-30	37-45	37-45		
380-480 V		0.75-4.0	5.5-7.5	0.75-7.5	11-18.5	22-30	11-18.5	22-37	37-55	75-90	45-55	75-90	75-90		
525-600 V			0.75-7.5	0.75-7.5	11-18.5	22-30	11-18.5	22-37	37-55	75-90	45-55	75-90	75-90		
IP		20	20	21	55	55	20	20	55	55	20	20	20		
NEMA		Chassis	Chassis	Type 1	Type 12	Type 12	Chassis	Chassis	Type 12	Type 12	Chassis	Chassis	Chassis		
<b>Height (mm)</b>															
Enclosure	A**	246	246	372	480	650	350	460	680	770	490	600	600		
...with de-coupling plate	A2	374	374	-	-	-	419	595	-	-	630	800	800		
Back plate	A1	268	268	375	480	650	399	520	680	770	550	660	660		
Distance between mount. holes	a	257	257	350	454	624	380	495	648	739	521	631	631		
<b>Width (mm)</b>															
Enclosure	B	90	130	130	242	242	165	231	308	370	308	370	370		
With one C option	B	130	170	170	242	242	205	231	308	370	308	370	370		
Back plate	B	90	130	130	242	242	165	231	308	370	308	370	370		
Distance between mount. holes	b	70	110	110	210	210	140	200	272	334	270	330	330		
<b>Depth (mm)</b>															
Without option A/B	C	205	205	205	260	260	248	242	310	335	333	333	333		
With option A/B	C*	220	220	220	260	260	262	242	310	335	333	333	333		
<b>Screw holes (mm)</b>															
	c	8.0	8.0	8.0	12	12	8	-	12	12	-	-	-		
Diameter $\phi$	d	11	11	11	19	19	12	-	19	19	-	-	-		
Diameter $\phi$	e	5.5	5.5	5.5	9	9	6.8	8.5	9.0	9.0	8.5	8.5	8.5		
	f	9	9	9	9	9	7.9	15	9.8	9.8	17	17	17		
<b>Max weight (kg)</b>		4.9	6.6	7.0	23	27	12	23.5	45	65	35	50	50		
* Depth of enclosure will vary with different options installed.															
** The free space requirements are above and below the bare enclosure height measurement A. See section Mechanical Mounting for further information.															





<p>62/64</p> <p>130BA885.10</p>		<p>61/63</p> <p>130BA885.10</p>	<p>IP21/54</p> <p>130BA885.10</p>	<p>Unit Size 62</p> <p>130BA885.11</p>
<p>52</p> <p>130BA885.10</p>	<p>51</p> <p>130BA885.10</p>	<p>44</p> <p>130BA885.11</p>	<p>IP21/54</p> <p>130BA885.10</p>	<p>Unit Size 63</p> <p>130BA885.13</p>
<p>43</p> <p>130BA885.11</p>	<p>42</p> <p>130BA885.11</p>	<p>IP00</p> <p>130BA885.11</p>	<p>IP00</p> <p>130BA885.11</p>	<p>Unit Size 64</p> <p>130BA885.13</p>
<p>41</p> <p>130BA885.11</p>	<p>IP21/54</p> <p>130BA885.11</p>	<p>IP21/54</p> <p>130BA885.11</p>	<p>IP21/54</p> <p>130BA885.11</p>	<p>Unit Size 61</p> <p>130BA885.13</p>



All measurements in mm

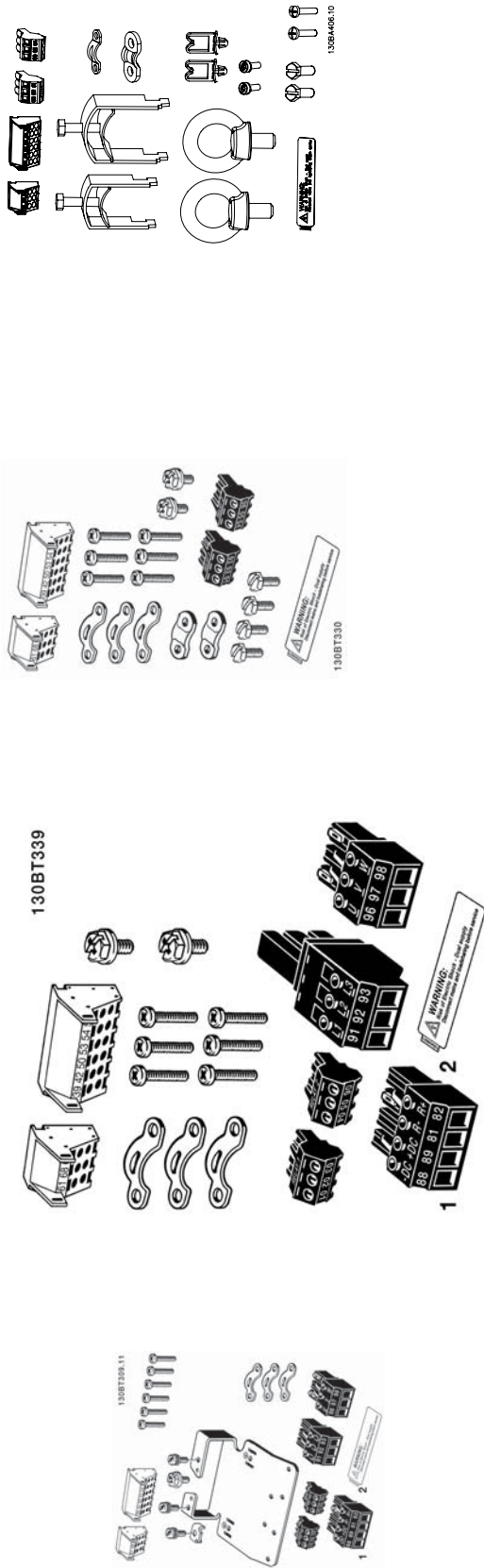


		Mechanical dimensions										
Unit size (kW)		41	42	43	44	51	52	61	62	63	64	
380-480 VAC		110-132	160-250	110-132	160-250	315-450	315-450	500-710	800-1000	500-710	800-1000	
525-690 VAC		110-160	200-400	45-160	200-400	450-630	450-630	710-900	1000-1400	710-900	1000-1400	
IP		21/54	21/54	00	00	21/54	00	21/54	21/54	21/54	21/54	
NEMA		Type 1/12	Type 1/12	Chassis	Chassis	Type 1/12	Chassis	Type 1/12	Type 1/12	Type 1/12	Type 1/12	
<b>Shipping dimensions (mm):</b>												
Width		1730	1730	1220	1490	2197	1705	2324	2324	2324	2324	
Height		650	650	650	650	840	831	1569	1962	2159	2559	
Depth		570	570	570	570	736	736	927	927	927	927	
<b>Drive dimensions: (mm)</b>												
<b>Height</b>												
Back plate	A	1209	1589	1046	1327	2000	1547	2281	2281	2281	2281	
<b>Width</b>												
Back plate	B	420	420	408	408	600	585	1400	1800	2000	2400	
<b>Depth</b>												
	C	380	380	375	375	494	494	607	607	607	607	
<b>Dimensions brackets (mm/inch)</b>												
Centre hole to edge	a	22/0.9	22/0.9	22/0.9	22/0.9	56/2.2	23/0.9					
Centre hole to edge	b	25/1.0	25/1.0	25/1.0	25/1.0	25/1.0	25/1.0					
Hole diameter	c	25/1.0	25/1.0	25/1.0	25/1.0	25/1.0	25/1.0					
	d	20/0.8	20/0.8	20/0.8	20/0.8	27/1.1	27/1.1					
	e	11/0.4	11/0.4	11/0.4	11/0.4	13/0.5	13/0.5					
	f	22/0.9	22/0.9	22/0.9	22/0.9							
	g	10/0.4	10/0.4	10/0.4	10/0.4							
	h	51/2.0	51/2.0	51/2.0	51/2.0							
	i	25/1.0	25/1.0	25/1.0	25/1.0							
	j	49/1.9	49/1.9	49/1.9	49/1.9							
Hole diameter	k	11/0.4	11/0.4	11/0.4	11/0.4							
<b>Max weight (kg)</b>		104	151	91	138	313	277	1004	1246	1299	1541	

Please contact GE for more detailed information and CAD drawings for your own planning purposes.

### 4.1.3 Accessory Bags

Accessory Bags: Find the following parts included in the frequency converter accessory bags

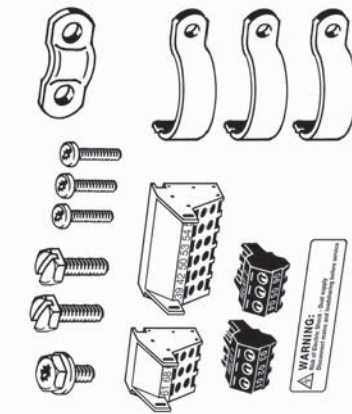


Unit sizes 11, 12 and 13

Unit size 15

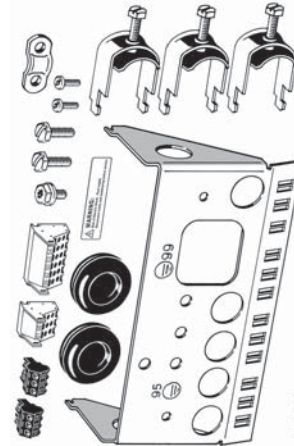
Unit sizes 21 and 22

Unit sizes 31 and 32



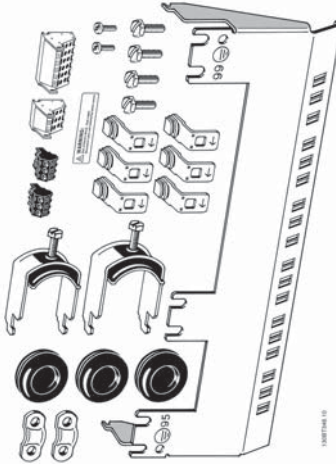
130BT346.10

Unit size 23



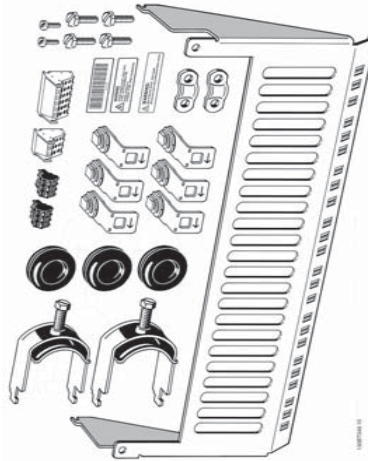
130BT347.10

Unit size 24



130BT348.10

Unit size 33



130BT349.10

Unit size 34

For DC link connection (Load sharing) the connector 1 can be ordered separately



### 4.1.4 Mechanical Mounting

All unit sizes 1x, 2x and 3x allow side-by-side installation.

Exception: If a IP21 kit is used, there has to be a clearance between the enclosures. For unit sizes 12, 13, 23, 24 and 33 the minimum clearance is 50 mm, for 34 it is 75 mm.

For optimal cooling conditions allow a free air passage above and below the frequency converter. See table below.

**Air passage for different unit sizes**

Unit size:	12	13	15	21	22	23	24	31	32	33	34
a (mm):	100	100	100	200	200	200	200	200	225	200	225
b (mm):	100	100	100	200	200	200	200	200	225	200	225

4

1. Drill holes in accordance with the measurements given.
2. You must provide screws suitable for the surface on which you want to mount the frequency converter. Retighten all four screws.

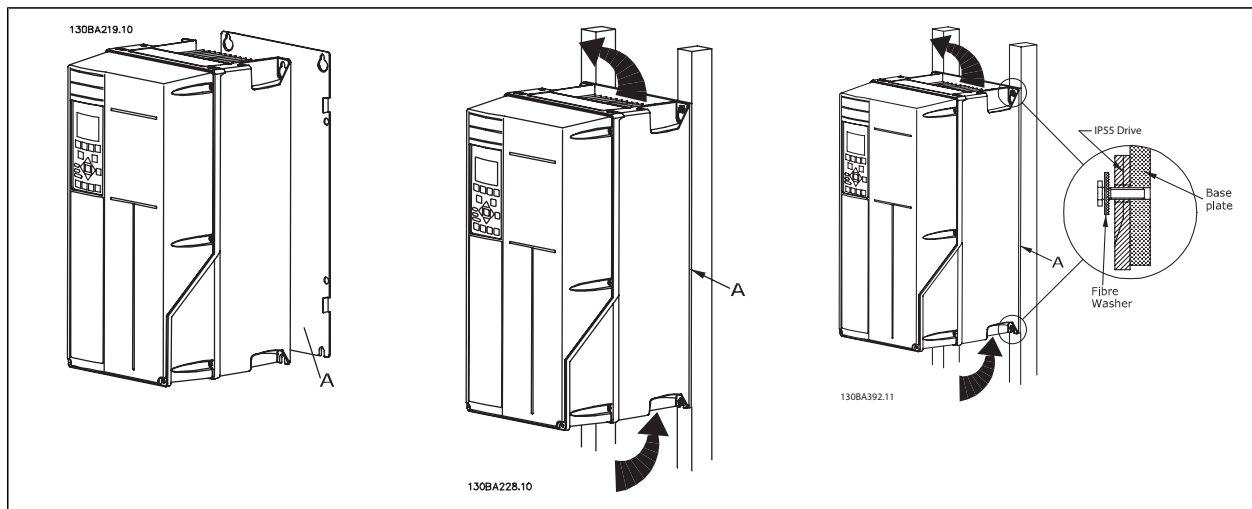


Table 4.1: When mounting unit sizes 15, 21, 22, 24, 31, 32, 33 and 34 on a non-solid back wall, the drive must be provided with a back plate A due to insufficient cooling air over the heat sink.



### 4.1.5 Lifting

Always lift the frequency converter in the dedicated lifting eyes. For all 4X unit size and 52 unit size (IP00) Units, use a bar to avoid bending the lifting holes of the frequency converter.

4

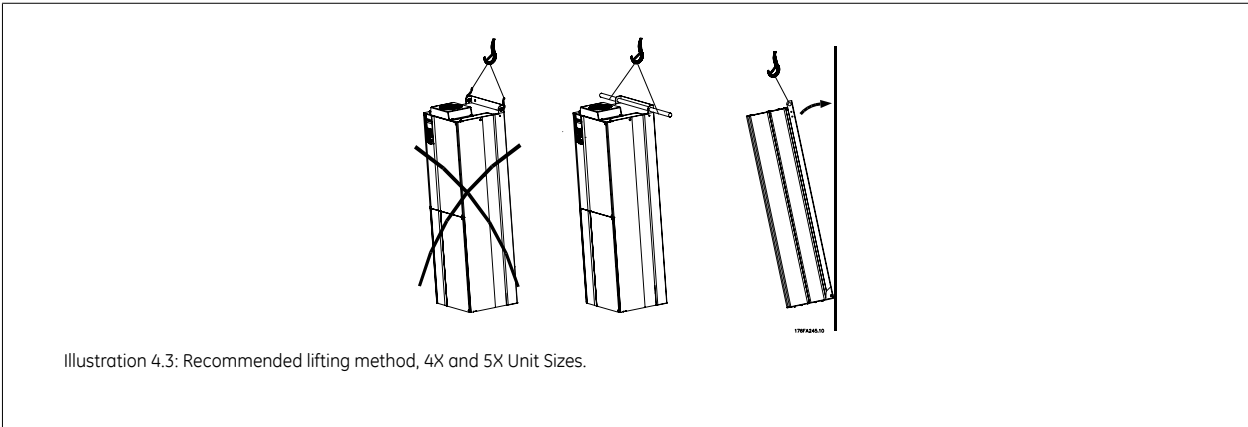


Illustration 4.3: Recommended lifting method, 4X and 5X Unit Sizes.

**NB!**  
The lifting bar must be able to handle the weight of the frequency converter. See *Mechanical Dimensions* for the weight of the different Unit Sizes. Maximum diameter for bar is 2.5 cm (1 inch). The angle from the top of the drive to the lifting cable should be 60 degrees or greater.

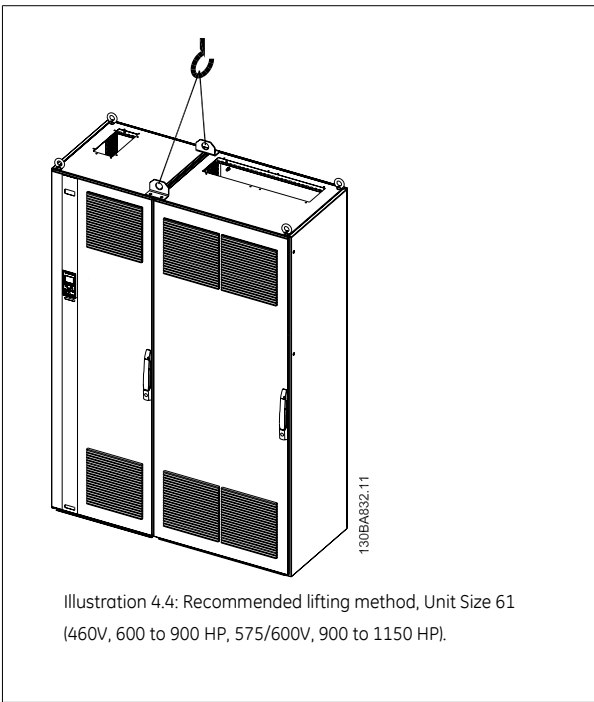


Illustration 4.4: Recommended lifting method, Unit Size 61 (460V, 600 to 900 HP, 575/600V, 900 to 1150 HP).

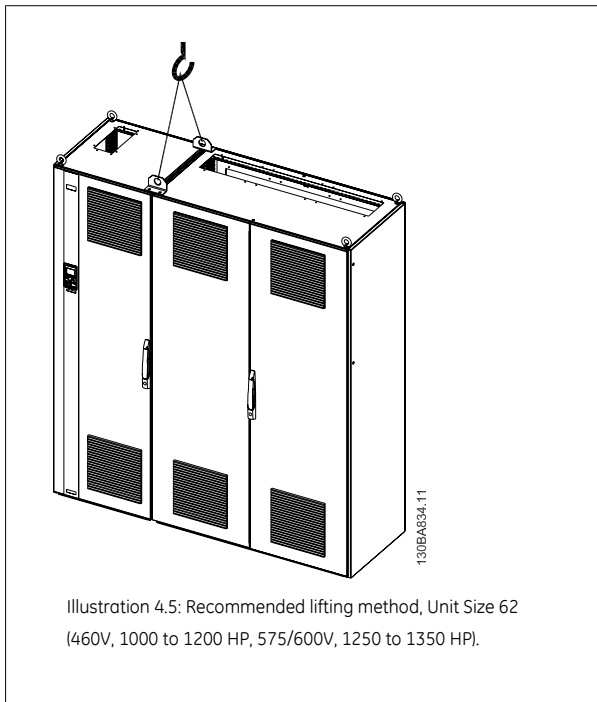
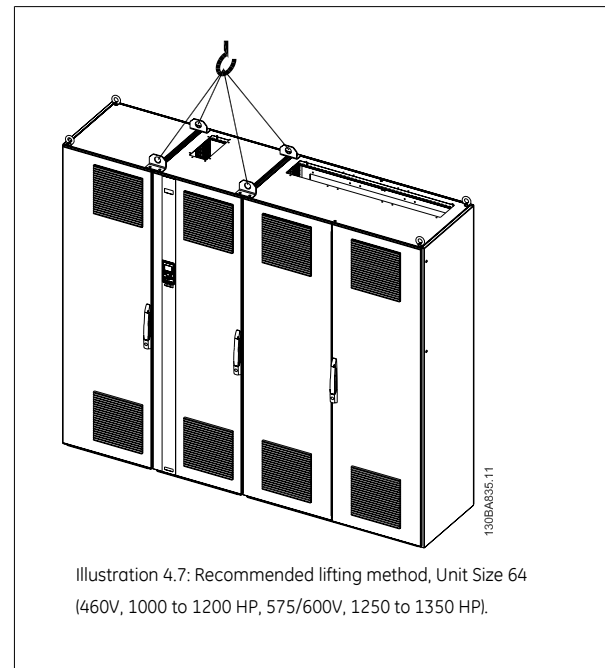
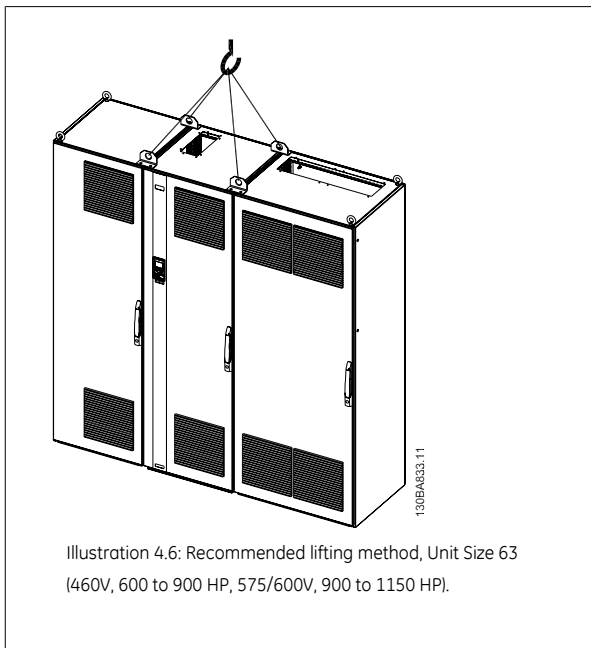


Illustration 4.5: Recommended lifting method, Unit Size 62 (460V, 1000 to 1200 HP, 575/600V, 1250 to 1350 HP).

**NBI**

Note the plinth is provided in the same packaging as the frequency converter but is not attached to Unit Sizes 61-64 during shipment. The plinth is required to allow airflow to the drive to provide proper cooling. The Unit Sizes 6 should be positioned on top of the plinth in the final installation location. The angle from the top of the drive to the lifting cable should be 60 degrees or greater.

#### 4.1.6 Safety Requirements of Mechanical Installation



Pay attention to the requirements that apply to integration and field mounting kit. Observe the information in the list to avoid serious injury or equipment damage, especially when installing large units.

The frequency converter is cooled by means of air circulation.

To protect the unit from overheating, it must be ensured that the ambient temperature *does not exceed the maximum temperature stated for the frequency converter* and that the 24-hour average temperature *is not exceeded*. Locate the maximum temperature and 24-hour average in the paragraph *Derating for Ambient Temperature*.

If the ambient temperature is in the range of 45 °C - 55 °C, derating of the frequency converter will become relevant, see *Derating for Ambient Temperature*.

The service life of the frequency converter is reduced if derating for ambient temperature is not taken into account.

#### 4.1.7 Field Mounting

For field mounting the IP 21/IP 4X top/TYPE 1 kits or IP 54/55 units are recommended.



## 4.2 Electrical Installation

### 4.2.1 Cables General

**NB!**

For the AF-600 FP drives above 125HP, please see AF-600 FP *High Power Operating Instructions*.

**NB!**

**Cables General**

Always comply with national and local regulations on cable cross-sections.

4

**Details of terminal tightening torques.**

Unit	Power (kW)			Torque (Nm)					
	200-240 V	380-480 V	525-600 V	Mains	Motor	DC connec- tion	Brake	Earth	Relay
12	0.75 - 2.2	0.75 - 4.0	0.75 - 4.0	1.8	1.8	1.8	1.8	3	0.6
13	3.7	5.5 - 7.5	5.5 - 7.5	1.8	1.8	1.8	1.8	3	0.6
15	0.75 - 3.7	0.75 - 7.5	0.75 - 7.5	1.8	1.8	1.8	1.8	3	0.6
21	5.5 - 11	11 - 18.5	-	1.8	1.8	1.5	1.5	3	0.6
22	-	22	-	4.5	4.5	3.7	3.7	3	0.6
	15	30	-	4.5 <sup>2)</sup>	4.5 <sup>2)</sup>	3.7	3.7	3	0.6
23	5.5 - 11	11 - 18.5	11 - 18.5	1.8	1.8	1.8	1.8	3	0.6
24	11 - 18.5	18.5 - 37	18.5 - 37	4.5	4.5	4.5	4.5	3	0.6
31	18.5 - 30	37 - 55	-	10	10	10	10	3	0.6
32	37 - 45	75 - 90	-	14/24 <sup>1)</sup>	14/24 <sup>1)</sup>	14	14	3	0.6
33	18.5 - 30	37 - 55	37 - 55	10	10	10	10	3	0.6
34	30 - 45	55 - 90	55 - 90	14/24 <sup>1)</sup>	14/24 <sup>1)</sup>	14	14	3	0.6
High Power									
Unit		380-480 V	525-690 V	Mains	Motor	DC connec- tion	Brake	Earth	Relay
41/43		110-132	45-160	19	19	9.6	9.6	19	0.6
42/44		160-250	200-400	19	19	9.6	9.6	19	0.6
51/52		315-450	450-630	19	19	19	9.6	19	0.6
61-63 <sup>3)</sup>		500-710	710-900	19	19	19	9.6	19	0.6
62-64 <sup>3)</sup>		800-1000	1000-1400	19	19	19	9.6	19	0.6

Table 4.2: Tightening of terminals

- 1) For different cable dimensions x/y, where  $x \leq 95 \text{ mm}^2$  and  $y \geq 95 \text{ mm}^2$
- 2) Cable dimensions above 18.5 kW  $\geq 35 \text{ mm}^2$  and below 22 kW  $\leq 10 \text{ mm}^2$
- 3) For data on the 6x frame size please consult AF-600 FP High Power Operating Instructions



### 4.2.2 Electrical Installation and Control Cables

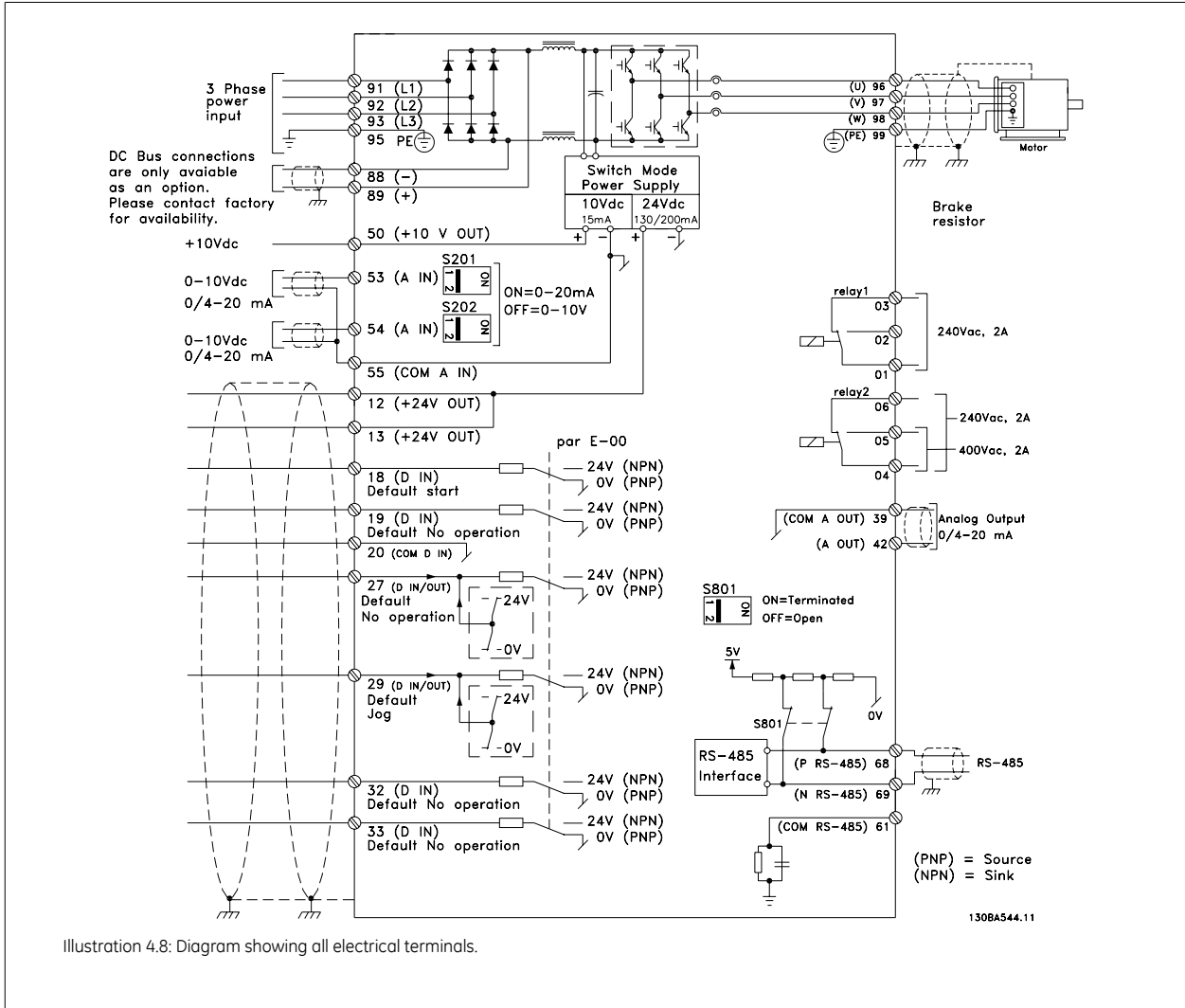


Illustration 4.8: Diagram showing all electrical terminals.

Terminal number	Terminal description	Parameter number	Factory default
1+2+3	Terminal 1+2+3-Relay1	E-24	No operation
4+5+6	Terminal 4+5+6-Relay2	E-24	No operation
12	Terminal 12 Supply	-	+24 V DC
13	Terminal 13 Supply	-	+24 V DC
18	Terminal 18 Digital Input	E-01	Start
19	Terminal 19 Digital Input	E-02	No operation
20	Terminal 20	-	Common
27	Terminal 27 Digital Input/Output	E-03/E-20	No operation
29	Terminal 29 Digital Input/Output	E-04/E-21	Jog
32	Terminal 32 Digital Input	E-05	No operation
33	Terminal 33 Digital Input	E-06	No operation
42	Terminal 42 Analog Output	AN-50	Speed 0-HighLim
53	Terminal 53 Analog Input	F-01/AN-0#/CL-0#	Reference
54	Terminal 54 Analog Input	C-30/AN-2#/CL-0#	Feedback

Table 4.3: Terminal connections

Very long control cables and analog signals may, in rare cases and depending on installation, result in 50/60 Hz earth loops due to noise from mains supply cables.

If this occurs, break the screen or insert a 100 nF capacitor between screen and chassis.



**NB!**

The common of digital / analog inputs and outputs should be connected to separate common terminals 20, 39, and 55. This will avoid ground current interference among groups. For example, it avoids switching on digital inputs disturbing analog inputs.

**NB!**

Control cables must be screened/armoured.

## 4

### 4.2.3 Motor Cables

See section *General Specifications* for maximum dimensioning of motor cable cross-section and length.

- Use a screened/armoured motor cable to comply with EMC emission specifications.
- Keep the motor cable as short as possible to reduce the noise level and leakage currents.
- Connect the motor cable screen to both the de-coupling plate of the frequency converter and to the metal cabinet of the motor.
- Make the screen connections with the largest possible surface area (cable clamp). This is done by using the supplied installation devices in the frequency converter.
- Avoid mounting with twisted screen ends (pigtailed), which will spoil high frequency screening effects.
- If it is necessary to split the screen to install a motor isolator or motor relay, the screen must be continued with the lowest possible HF impedance.

**Unit Size 6X Requirements**

**Unit Size 61/63 requirements:** Motor phase cable quantities must be multiples of 2, resulting in 2, 4, 6, or 8 (1 cable is not allowed) to obtain equal amount of wires attached to both inverter module terminals. The cables are required to be equal length within 10% between the inverter module terminals and the first common point of a phase. The recommended common point is the motor terminals.

**Unit Size 62 and 64 requirements:** Motor phase cable quantities must be multiples of 3, resulting in 3, 6, 9, or 12 (1 or 2 cables are not allowed) to obtain equal amount of wires attached to each inverter module terminal. The wires are required to be equal length within 10% between the inverter module terminals and the first common point of a phase. The recommended common point is the motor terminals.

**Output junction box requirements:** The length, minimum 2.5 meters, and quantity of cables must be equal from each inverter module to the common terminal in the junction box.

### 4.2.4 Electrical Installation of Motor Cables

**Screening of cables**

Avoid installation with twisted screen ends (pigtailed). They spoil the screening effect at higher frequencies.

If it is necessary to break the screen to install a motor isolator or motor contactor, the screen must be continued at the lowest possible HF impedance.

**Cable length and cross-section**

The frequency converter has been tested with a given length of cable and a given cross-section of that cable. If the cross-section is increased, the cable capacitance - and thus the leakage current - may increase, and the cable length must be reduced correspondingly.

**Switching frequency**

When frequency converters are used together with Sine-wave filters to reduce the acoustic noise from a motor, the switching frequency must be set according to the Sine-wave filter instruction in par. F-26 *Motor Noise (Carrier Freq)*.

**Aluminium conductors**

Aluminium conductors are not recommended. Terminals can accept aluminium conductors but the conductor surface has to be clean and the oxidation must be removed and sealed by neutral acid free Vaseline grease before the conductor is connected.

Furthermore, the terminal screw must be retightened after two days due to the softness of the aluminium. It is crucial to keep the connection a gas tight joint, otherwise the aluminium surface will oxidize again.



### 4.2.5 Unit Size Knock-outs

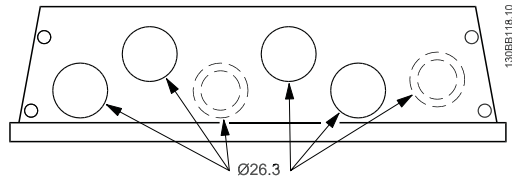


Illustration 4.9: Cable entry holes for unit size 15. The suggested use of the holes are purely recommendations and other solutions are possible.

4

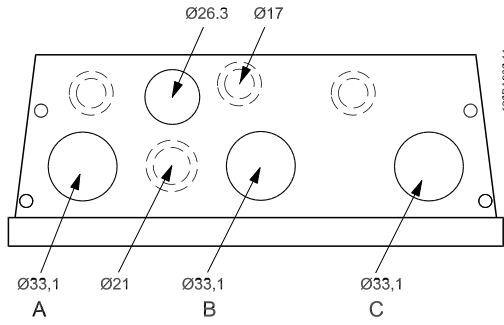


Illustration 4.10: Cable entry holes for unit size 21. The suggested use of the holes are purely recommendations and other solutions are possible.

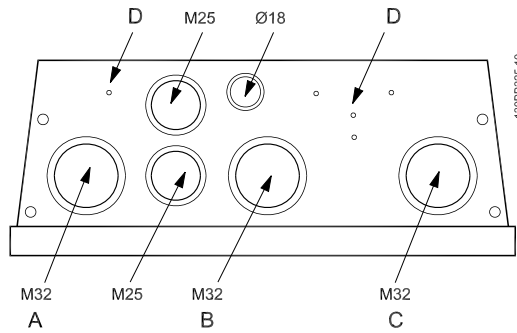


Illustration 4.11: Cable entry holes for unit size 21. The suggested use of the holes are purely recommendations and other solutions are possible.

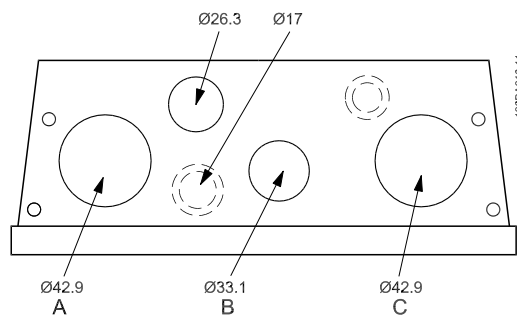


Illustration 4.12: Cable entry holes for unit size 22. The suggested use of the holes are purely recommendations and other solutions are possible.

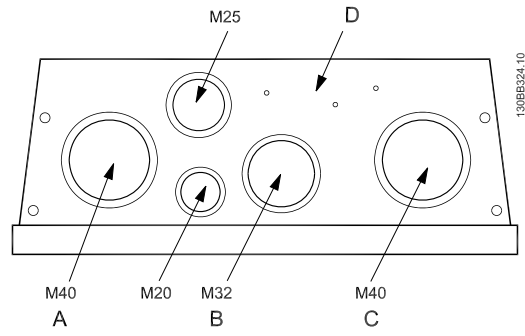


Illustration 4.13: Cable entry holes for unit size 22. The suggested use of the holes are purely recommendations and other solutions are possible.

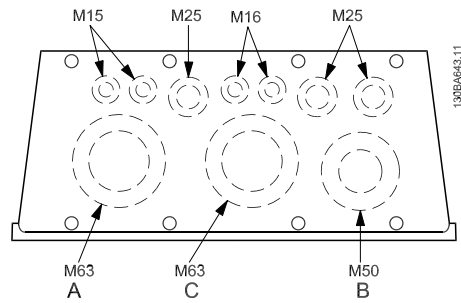


Illustration 4.14: Cable entry holes for unit size 31. The suggested use of the holes are purely recommendations and other solutions are possible.

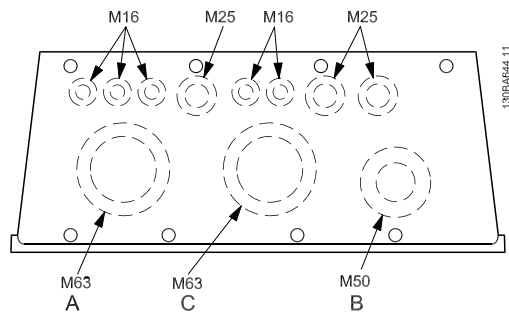


Illustration 4.15: Cable entry holes for unit size 32. The suggested use of the holes are purely recommendations and other solutions are possible.

**Legend:**

- A: Line in**
- B: Load sharing**
- C: Motor out**
- D: Free space**



#### 4.2.6 Removal of Knockouts for Extra Cables

1. Remove cable entry from the frequency converter (Avoiding foreign parts falling into the frequency converter when removing knockouts)
2. Cable entry has to be supported around the knockout you intend to remove.
3. The knockout can now be removed with a strong mandrel and a hammer.
4. Remove burrs from the hole.
5. Mount Cable entry on frequency converter.

#### 4.2.7 Gland/Conduit Entry - IP21 (NEMA 1) and IP54 (NEMA12)

Cables are connected through the gland plate from the bottom. Remove the plate and plan where to place the entry for the glands or conduits. Prepare holes in the marked area on the drawing.

**4****NB!**

The gland plate must be fitted to the frequency converter to ensure the specified protection degree, as well as ensuring proper cooling of the unit. If the gland plate is not mounted, the frequency converter may trip on Alarm 69, Pwr. Card Temp

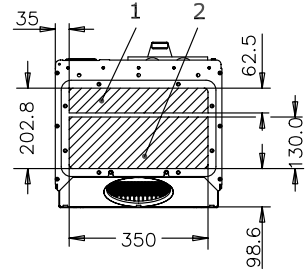


1308B073.10

Illustration 4.16: Example of proper installation of the gland plate.

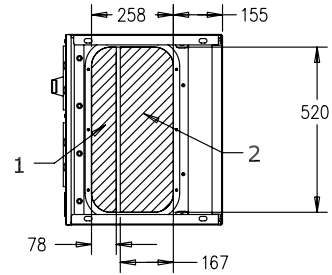


Unit Sizes 41 + 42



176FA289.11

Unit Size 51

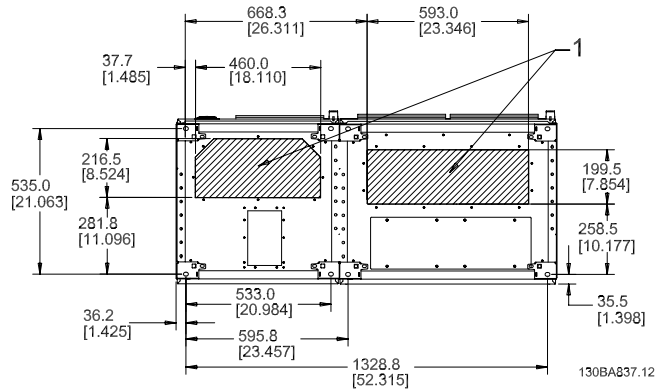


176FA290.11

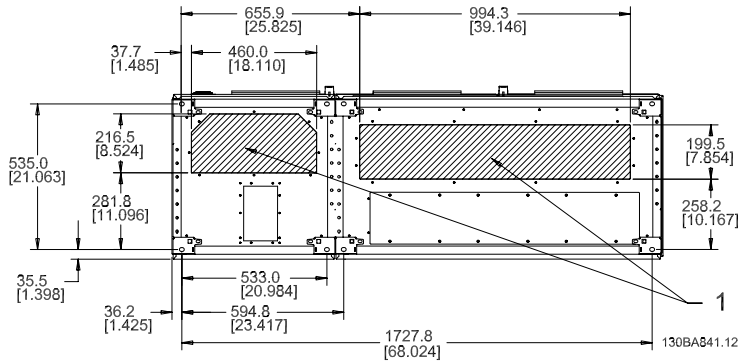
Cable entries viewed from the bottom of the frequency converter - 1) Mains side 2) Motor side



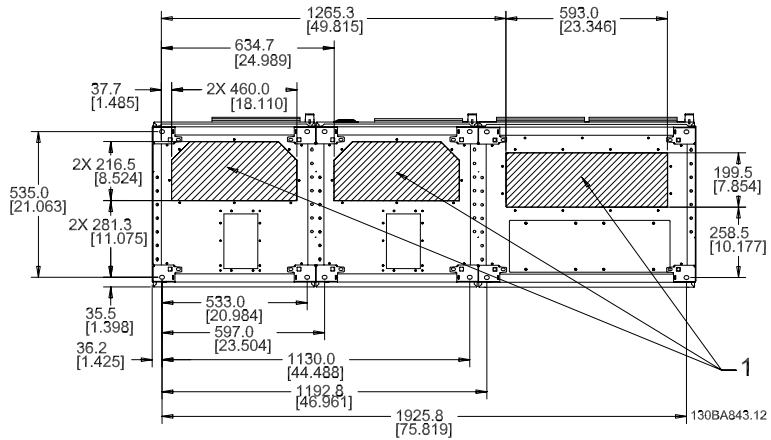
Unit Size 61



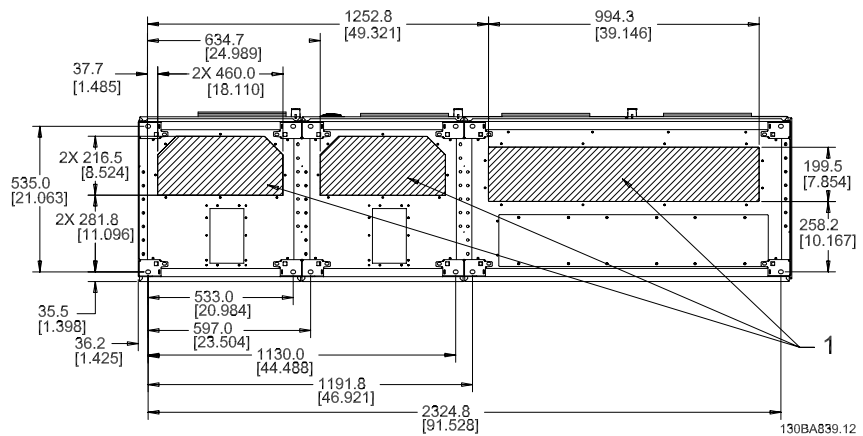
Unit Size 62



Unit Size 63



Unit Size 64



Unit Size 61 to 64: Cable entries viewed from the bottom of the frequency converter - 1) Place conduits in marked areas

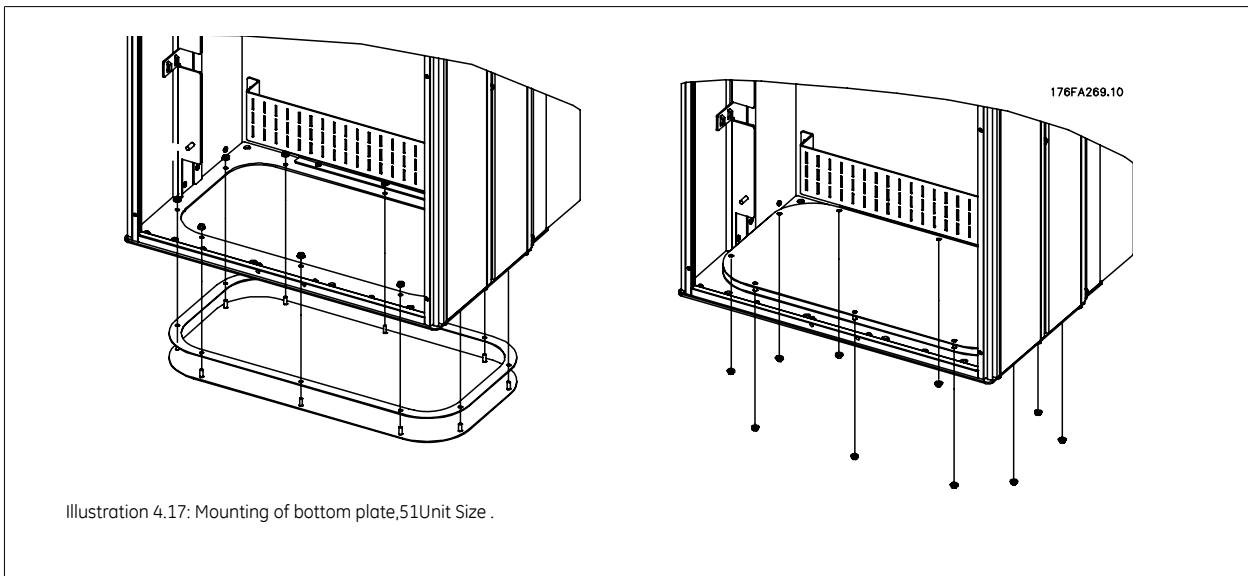


Illustration 4.17: Mounting of bottom plate, 51 Unit Size .

The bottom plate of the 51 Unit Size can be mounted from either in- or outside of the Unit Size, allowing flexibility in the installation process, i.e. if mounted from the bottom the glands and cables can be mounted before the frequency converter is placed on the pedestal.

## 4.2.8 Fuses

### Branch Circuit Protection

In order to protect the installation against electrical and fire hazard, all branch circuits in an installation, switch gear, machines etc., must be short-circuit and over-current protected according to the national/international regulations.



#### Short-circuit protection:

The frequency converter must be protected against short-circuit to avoid electrical or fire hazard. GE recommends using the fuses mentioned below to protect service personnel and equipment in case of an internal failure in the drive. The frequency converter provides full short-circuit protection in case of a short-circuit on the motor output.



#### Over-current protection

Provide overload protection to avoid fire hazard due to overheating of the cables in the installation. Over current protection must always be carried out according to national regulations. The frequency converter is equipped with an internal over current protection that can be used for upstream overload protection (UL-applications excluded). See par. F-43 *Current Limit* in the *AF-600 FP Programming Guide* . Fuses must be designed for protection in a circuit capable of supplying a maximum of 100,000 A<sub>rms</sub> (symmetrical), 500 V/600 V maximum.

If UL/cUL is not to be complied with, we recommend using the following fuses, which will ensure compliance with EN50178:

P110 - P250	380 - 480 V	type gG
P315 - P450	380 - 480 V	type gR



**UL compliance fuses**

Frequency converter	Bussmann	Bussmann	Bussmann	SIBA	Littel fuse	Ferraz-Shawmut	Ferraz-Shawmut
<b>200-240 V</b>							
HP	Type RK1	Type J	Type T	Type RK1	Type RK1	Type CC	Type RK1
1HP	KTN-R10	JKS-10	JJN-10	5017906-010	KLN-R10	ATM-R10	A2K-10R
2HP	KTN-R15	JKS-15	JJN-15	5017906-015	KLN-R15	ATM-R15	A2K-15R
3HP	KTN-R20	JKS-20	JJN-20	5012406-020	KLN-R20	ATM-R20	A2K-20R
5HP	KTN-R30	JKS-30	JJN-30	5012406-030	KLN-R30	ATM-R30	A2K-30R
7.5HP	KTN-R50	JKS-50	JJN-50	5012406-050	KLN-R50	-	A2K-50R
10HP	KTN-R50	JKS-60	JJN-60	5012406-050	KLN-R60	-	A2K-50R
15HP	KTN-R60	JKS-60	JJN-60	5014006-063	KLN-R60	A2K-60R	A2K-60R
20HP	KTN-R80	JKS-80	JJN-80	5014006-080	KLN-R80	A2K-80R	A2K-80R
25HP	KTN-R125	JKS-150	JJN-125	2028220-125	KLN-R125	A2K-125R	A2K-125R
30HP	KTN-R125	JKS-150	JJN-125	2028220-125	KLN-R125	A2K-125R	A2K-125R
40HP	FWX-150	-	-	2028220-150	L25S-150	A25X-150	A25X-150
50HP	FWX-200	-	-	2028220-200	L25S-200	A25X-200	A25X-200
60HP	FWX-250	-	-	2028220-250	L25S-250	A25X-250	A25X-250

Table 4.4: **UL fuses, 200 - 240 V**

Frequency converter	Bussmann	Bussmann	Bussmann	SIBA	Littel fuse	Ferraz-Shawmut	Ferraz-Shawmut
<b>380-480 V, 525-600 V</b>							
HP	Type RK1	Type J	Type T	Type RK1	Type RK1	Type CC	Type RK1
1HP	KTS-R6	JKS-6	JJS-6	5017906-006	KLS-R6	ATM-R6	A6K-6R
2 - 3HP	KTS-R10	JKS-10	JJS-10	5017906-010	KLS-R10	ATM-R10	A6K-10R
5HP	KTS-R20	JKS-20	JJS-20	5017906-020	KLS-R20	ATM-R20	A6K-20R
7.5HP	KTS-R25	JKS-25	JJS-25	5017906-025	KLS-R25	ATM-R25	A6K-25R
10HP	KTS-R30	JKS-30	JJS-30	5012406-032	KLS-R30	ATM-R30	A6K-30R
15HP	KTS-R40	JKS-40	JJS-40	5014006-040	KLS-R40	-	A6K-40R
20HP	KTS-R40	JKS-40	JJS-40	5014006-040	KLS-R40	-	A6K-40R
25HP	KTS-R50	JKS-50	JJS-50	5014006-050	KLS-R50	-	A6K-50R
30HP	KTS-R60	JKS-60	JJS-60	5014006-063	KLS-R60	-	A6K-60R
40HP	KTS-R80	JKS-80	JJS-80	2028220-100	KLS-R80	-	A6K-80R
50HP	KTS-R100	JKS-100	JJS-100	2028220-125	KLS-R100	-	A6K-100R
60HP	KTS-R125	JKS-150	JJS-150	2028220-125	KLS-R125	-	A6K-125R
75HP	KTS-R150	JKS-150	JJS-150	2028220-160	KLS-R150	-	A6K-150R
100HP	FWH-220	-	-	2028220-200	L50S-225	-	A50-P225
125HP	FWH-250	-	-	2028220-250	L50S-250	-	A50-P250

Table 4.5: **UL fuses, 380 - 600 V**

KTS-fuses from Bussmann may substitute KTN for 240 V frequency converters.

FWH-fuses from Bussmann may substitute FWX for 240 V frequency converters.

KLSR fuses from LITTEL FUSE may substitute KLN-R fuses for 240 V frequency converters.

L50S fuses from LITTEL FUSE may substitute L25S fuses for 240 V frequency converters.

A6KR fuses from FERRAZ SHAWMUT may substitute A2KR for 240 V frequency converters.

A50X fuses from FERRAZ SHAWMUT may substitute A25X for 240 V frequency converters.

**380-480 V, frame sizes 4X, 5X and 6X**

The fuses below are suitable for use on a circuit capable of delivering 100,000 Arms (symmetrical), 240V, or 480V, or 500V, or 600V depending on the drive voltage rating. With the proper fusing the drive Short Circuit Current Rating (SCCR) is 100,000 Arms.





AF-600 FP	Bussmann E1958 JFHR2**	Bussmann E4273 T/JDDZ**	SIBA E180276 JFHR2	LittellFuse E71611 JFHR2**	Ferraz-Shawmut E60314 JFHR2**	Bussmann E4274 H/JDDZ**	Bussmann E125085 JFHR2*	Internal Option Bussmann
150 HP	FWH-300	JJS-300	2061032.315	L50S-300	A50-P300	NOS-300	170M3017	170M3018
200 HP	FWH-350	JJS-350	2061032.35	L50S-350	A50-P350	NOS-350	170M3018	170M3018
250 HP	FWH-400	JJS-400	2061032.40	L50S-400	A50-P400	NOS-400	170M4012	170M4016
300 HP	FWH-500	JJS-500	2061032.50	L50S-500	A50-P500	NOS-500	170M4014	170M4016
350 HP	FWH-600	JJS-600	2062032.63	L50S-600	A50-P600	NOS-600	170M4016	170M4016

Table 4.6: For Unit Sizes 41, 42, 43, and 44, 380-480 V

AF-600 FP	Bussmann PN*	Rating	Ferraz	Siba
450 HP	170M4017	700 A, 700 V	6.9URD31D08A0700	20 610 32.700
500 HP	170M6013	900 A, 700 V	6.9URD33D08A0900	20 630 32.900
550 HP	170M6013	900 A, 700 V	6.9URD33D08A0900	20 630 32.900
600 HP	170M6013	900 A, 700 V	6.9URD33D08A0900	20 630 32.900

Table 4.7: For Unit Sizes 51 and 52, 380-480 V

AF-600 FP	Bussmann PN*	Rating	Siba	Internal Bussmann Option
650 HP	170M7081	1600 A, 700 V	20 695 32.1600	170M7082
750 HP	170M7081	1600 A, 700 V	20 695 32.1600	170M7082
900 HP	170M7082	2000 A, 700 V	20 695 32.2000	170M7082
1000 HP	170M7082	2000 A, 700 V	20 695 32.2000	170M7082
1200 HP	170M7083	2500 A, 700 V	20 695 32.2500	170M7083
1350 HP	170M7083	2500 A, 700 V	20 695 32.2500	170M7083

Table 4.8: Unit Sizes 61, 62, 63, and 64, 380-480 V

AF-600 FP	Bussmann PN*	Rating	Siba
650 HP	170M8611	1100 A, 1000 V	20 781 32.1000
750 HP	170M8611	1100 A, 1000 V	20 781 32.1000
900 HP	170M6467	1400 A, 700 V	20 681 32.1400
1000 HP	170M6467	1400 A, 700 V	20 681 32.1400
1200 HP	170M8611	1100 A, 1000 V	20 781 32.1000
1350 HP	170M6467	1400 A, 700 V	20 681 32.1400

Table 4.9: Unit Sizes 61, 62, 63, and 64, Inverter module DC Link Fuses, 380-480 V

\*170M fuses from Bussmann shown use the -/80 visual indicator, -TN/80 Type T, -/110 or TN/110 Type T indicator fuses of the same size and amperage may be substituted for external use

\*\*Any minimum 500 V UL listed fuse with associated current rating may be used to meet UL requirements.

**525-690 V, unit sizes 4x, 5x and 6x**

AF-600 FP	Bussmann E125085 JFHR2	Amps	SIBA E180276 JFHR2	Ferraz-Shawmut E76491 JFHR2	Internal Option Bussmann
125 HP	170M3016	250	2061032.25	6.6URD30D08A0250	170M3018
150 HP	170M3017	315	2061032.315	6.6URD30D08A0315	170M3018
200 HP	170M3018	350	2061032.35	6.6URD30D08A0350	170M3018
250 HP	170M4011	350	2061032.35	6.6URD30D08A0350	170M5011
300 HP	170M4012	400	2061032.4	6.6URD30D08A0400	170M5011
350 HP	170M4014	500	2061032.5	6.6URD30D08A0500	170M5011
400 HP	170M5011	550	2062032.55	6.6URD32D08A550	170M5011

Table 4.10: Unit Size 41, 42, 43, and 44, 525-690 V

AF-600 FP	Bussmann PN*	Rating	Ferraz	Siba
450 HP	170M4017	700 A, 700 V	6.9URD31D08A0700	20 610 32.700
500 HP	170M4017	700 A, 700 V	6.9URD31D08A0700	20 610 32.700
600 HP	170M6013	900 A, 700 V	6.9URD33D08A0900	20 630 32.900
650 HP	170M6013	900 A, 700 V	6.9URD33D08A0900	20 630 32.900

Table 4.11: Unit Sizes 51 and 52, 525-690 V



AF-600 FP	Bussmann PN*	Rating	Siba	Internal Bussmann Option
750 HP	170M7081	1600 A, 700 V	20 695 32.1600	170M7082
950 HP	170M7081	1600 A, 700 V	20 695 32.1600	170M7082
1050 HP	170M7081	1600 A, 700 V	20 695 32.1600	170M7082
1150 HP	170M7081	1600 A, 700 V	20 695 32.1600	170M7082
1350 HP	170M7082	2000 A, 700 V	20 695 32.2000	170M7082

Table 4.12: Unit Sizes 61, 62, 63, and 64, 525-690 V

AF-600 FP	Bussmann PN*	Rating	Siba
750 HP	170M8611	1100 A, 1000 V	20 781 32. 1000
950 HP	170M8611	1100 A, 1000 V	20 781 32. 1000
1050 HP	170M8611	1100 A, 1000 V	20 781 32. 1000
1150 HP	170M8611	1100 A, 1000 V	20 781 32. 1000

Table 4.13: Unit Sizes 61, 62, 63, and 64, Inverter module DC Link 525-690 V

\*170M fuses from Bussmann shown use the -/80 visual indicator, -TN/80 Type T, -/110 or TN/110 Type T indicator fuses of the same size and amperage may be substituted for external use.

**Supplementary fuses**

Unit Sizes	Bussmann PN*	Rating
4X, 5X and 6X	KTK-4	4 A, 600 V

Table 4.14: SMPS Fuse

Size/Type	Bussmann PN*	Littelfuse	Rating
150HP-450HP, 380-480 V	KTK-4		4 A, 600 V
125HP-500HP, 525-690 V	KTK-4		4 A, 600 V
500HP-1350HP, 380-480 V		KLK-15	15A, 600 V
600HP-1350HP, 525-690 V		KLK-15	15A, 600 V

Table 4.15: Fan Fuses

Size/Type	Bussmann PN*	Rating	Alternative Fuses
650HP-1350HP, 380-480 V 2.5-4.0 A	LPJ-6 SP or SPI	6 A, 600 V	Any listed Class J Dual Element, Time Delay, 6A
750HP-1350HP, 525-690 V	LPJ-10 SP or SPI	10 A, 600 V	Any listed Class J Dual Element, Time Delay, 10 A
650HP-1350HP, 380-480 V 4.0-6.3 A	LPJ-10 SP or SPI	10 A, 600 V	Any listed Class J Dual Element, Time Delay, 10 A
750HP-1350HP, 525-690 V	LPJ-15 SP or SPI	15 A, 600 V	Any listed Class J Dual Element, Time Delay, 15 A
650HP-1350HP, 380-480 V 6.3 - 10 A	LPJ-15 SP or SPI	15 A, 600 V	Any listed Class J Dual Element, Time Delay, 15 A
750HP-1350HP, 525-690 V	LPJ-20 SP or SPI	20 A, 600 V	Any listed Class J Dual Element, Time Delay, 20A
650HP-1350HP, 380-480 V 10 - 16 A	LPJ-25 SP or SPI	25 A, 600 V	Any listed Class J Dual Element, Time Delay, 25 A
750HP-1350HP, 525-690 V	LPJ-20 SP or SPI	20 A, 600 V	Any listed Class J Dual Element, Time Delay, 20 A

Table 4.16: Manual Motor Controller Fuses

Unit Sizes	Bussmann PN*	Rating	Alternative Fuses
6X	LPJ-30 SP or SPI	30 A, 600 V	Any listed Class J Dual Element, Time Delay, 30 A

Table 4.17: 30 A Fuse Protected Terminal Fuse

Unit Sizes	Bussmann PN*	Rating	Alternative Fuses
6X	LPJ-6 SP or SPI	6 A, 600 V	Any listed Class J Dual Element, Time Delay, 6 A

Table 4.18: Control Transformer Fuse



Unit Sizes	Bussmann PN*	Rating
6X	GMC-800MA	800 mA, 250 V

Table 4.19: NAMUR Fuse

Unit Sizes	Bussmann PN*	Rating	Alternative Fuses
6X	LP-CC-6	6 A, 600 V	Any listed Class CC, 6 A

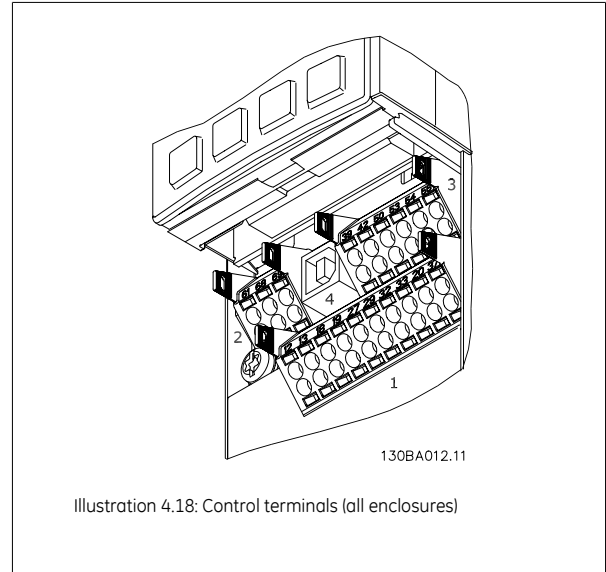
Table 4.20: Safety Relay Coil Fuse with PILS Relay



### 4.2.9 Control Terminals

Drawing reference numbers:

1. 10 pole plug digital I/O.
2. 3 pole plug RS485 Bus.
3. 6 pole analog I/O.
4. USB Connection.



4

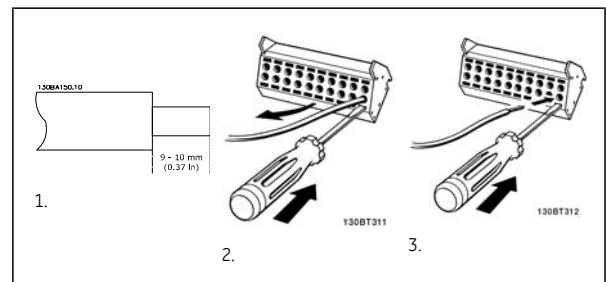
### 4.2.10 Control Cable Terminals

To mount the cable to the terminal:

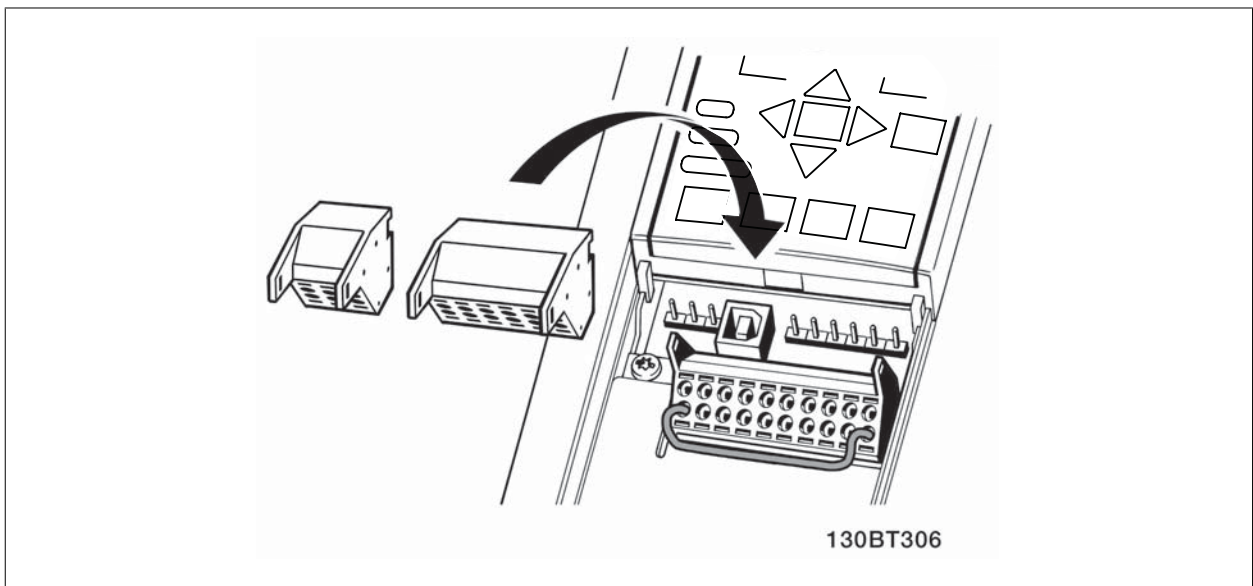
1. Strip isolation of 9-10 mm
2. Insert a screw driver<sup>1)</sup> in the square hole.
3. Insert the cable in the adjacent circular hole.
4. Remove the screw driver. The cable is now mounted to the terminal.

To remove the cable from the terminal:

1. Insert a screw driver<sup>1)</sup> in the square hole.
2. Pull out the cable.



<sup>1)</sup> Max. 0.4 x 2.5 mm



## 4.2.11 Electrical Installation, Control Cables

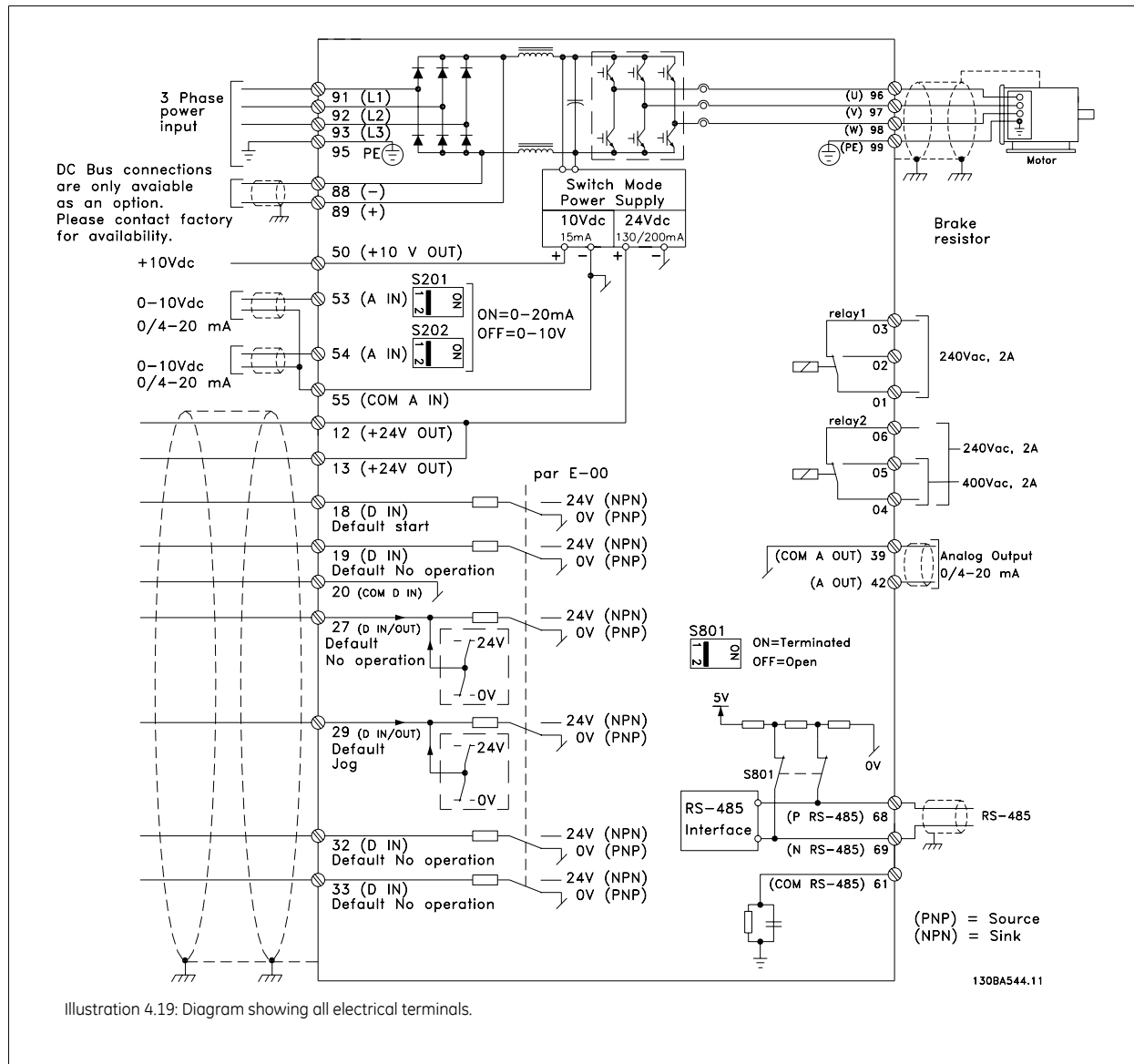


Illustration 4.19: Diagram showing all electrical terminals.

Very long control cables and analog signals may in rare cases and depending on installation result in 50/60 Hz earth loops due to noise from mains supply cables.

If this occurs, you may have to break the screen or insert a 100 nF capacitor between screen and chassis.

The digital and analog in- and outputs must be connected separately to the frequency converter common inputs (terminal 20, 55, 39) to avoid ground currents from both groups to affect other groups. For example, switching on the digital input may disturb the analog input signal.

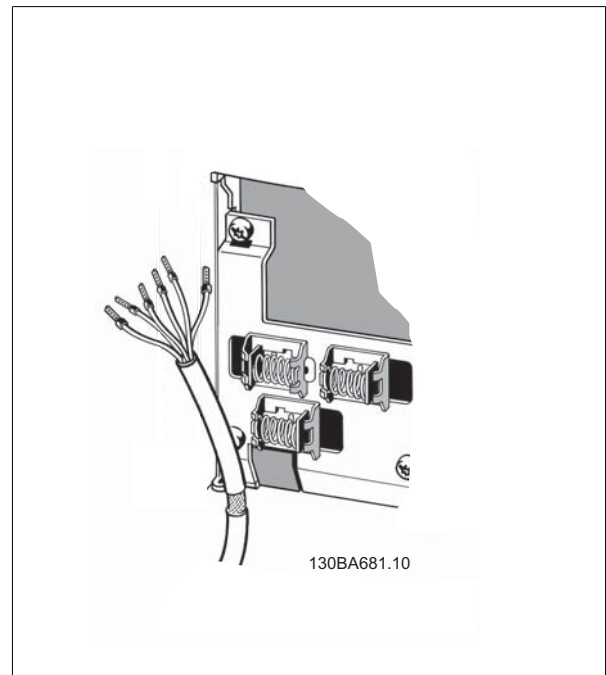
**NB!**

Control cables must be screened/armoured.



1. Use a clamp from the accessory bag to connect the screen to the frequency converter decoupling plate for control cables.

See section entitled *Earthing of Screened/Armoured Control Cables* for the correct termination of control cables.



#### 4.2.12 Switches S201, S202, and S801

Switches S201 (A53) and S202 (A54) are used to select a current (0-20 mA) or a voltage (0 to 10 V) configuration of the analog input terminals 53 and 54 respectively.

Switch S801 (BUS TER.) can be used to enable termination on the RS-485 port (terminals 68 and 69).

See drawing *Diagram showing all electrical terminals* in section *Electrical Installation*.

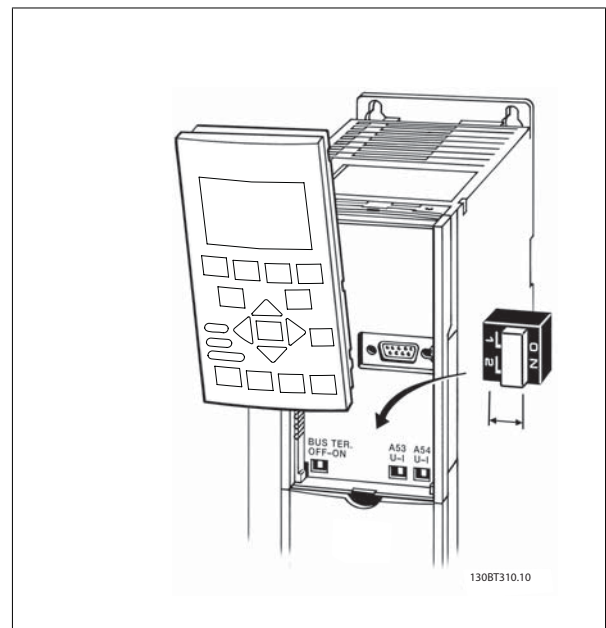
Default setting:

S201 (A53) = OFF (voltage input)

S202 (A54) = OFF (voltage input)

S801 (Bus termination) = OFF

**NB!**  
It is recommended to only change switch position at power off.



## 4.3 Final Set-Up and Test

To test the set-up and ensure that the frequency converter is running, follow these steps.

### Step 1. Locate the motor name plate

#### NB!

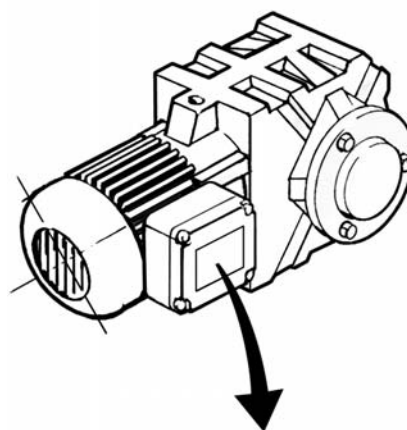
The motor is either star- (Y) or delta- connected ( $\Delta$ ). This information is located on the motor name plate data.

# 4

### Step 2. Enter the motor name plate data in this parameter list.

To access this list first press the [QUICK MENU] key then select "Q2 Quick Setup".

1.	Motor Power [kW] or Motor Power [HP]	par. P-07 Motor Power [kW] par. P-02 Motor Power [HP]
2.	Motor Voltage	par. F-05 Motor Rated Voltage
3.	Motor Frequency	par. F-04 Base Frequency
4.	Motor Current	par. P-03 Motor Current
5.	Motor Nominal Speed	par. P-06 Base Speed



3 ~ MOTOR NR. 1827421		2003
S/E005A9		
	1,5	kW
$n_2$	31,5	/min. 400 Y V
$n_1$	1400	/min. 50 Hz
$\cos \varphi$	0,80	3,6 A
1,7L		
B	IP 65	H1/1A

130BT307

### Step 3. Activate the Auto Tune

Performing an auto tune will ensure optimum performance. The auto tune measures the values from the motor model equivalent diagram.

1. Activate the auto tune par. P-04 Auto Tune.
2. Choose between complete or reduced auto tune. If an LC filter is mounted, run only the reduced auto tune, or remove the LC filter during the auto tune procedure.
3. Press the [OK] key. The display shows "Press [Hand] to start".
4. Press the [Hand] key. A progress bar indicates if the auto tune is in progress.

**Stop the auto tune during operation**

1. Press the [OFF] key - the frequency converter enters into alarm mode and the display shows that the auto tune was terminated by the user.

**Successful auto tune**

1. The display shows "Press [OK] to finish auto tune".
2. Press the [OK] key to exit the auto tune state.

**Unsuccessful auto tune**

1. The frequency converter enters into alarm mode. A description of the alarm can be found in the *Troubleshooting* section.
2. "Report Value" in the [Alarm Log] shows the last measuring sequence carried out by the auto tune, before the frequency converter entered alarm mode. This number along with the description of the alarm will assist you in troubleshooting. If you contact GE Service, make sure to mention number and alarm description.

**NB!**

Unsuccessful auto tune is often caused by incorrectly registered motor name plate data or too big difference between the motor power size and the frequency converter power size.

**Step 4. Set speed limit and ramp time**

Set up the desired limits for speed and ramp time.

Minimum Reference	par. F-52 <i>Minimum Reference</i>
Maximum Reference	par. F-53 <i>Maximum Reference</i>
Motor Speed Low Limit	par. F-18 <i>Motor Speed Low Limit [RPM]</i> or par. F-16 <i>Motor Speed Low Limit [Hz]</i>
Motor Speed High Limit	par. F-17 <i>Motor Speed High Limit [RPM]</i> or par. F-15 <i>Motor Speed High Limit [Hz]</i>
Accel Time 1 [s]	par. F-07 <i>Accel Time 1</i>
Decel Time 1 [s]	par. F-08 <i>Decel Time 1</i>





## 4.4 Additional Connections

### 4.4.1 External Fan Supply

Unit size 4x, 5x and 6x

In case the frequency converter is supplied by DC or if the fan must run independently of the power supply, an external power supply can be applied. The connection is made on the power card.

4

Terminal No.	Function
100, 101	Auxiliary supply S, T
102, 103	Internal supply S, T

The connector located on the power card provides the connection of line voltage for the cooling fans. The fans are connected from factory to be supplied from a common AC line (jumpers between 100-102 and 101-103). If external supply is needed, the jumpers are removed and the supply is connected to terminals 100 and 101. A 5 Amp fuse should be used for protection. In UL applications this should be LittleFuse KLK-5 or equivalent.

### 4.4.2 Relay Output

#### Relay 1

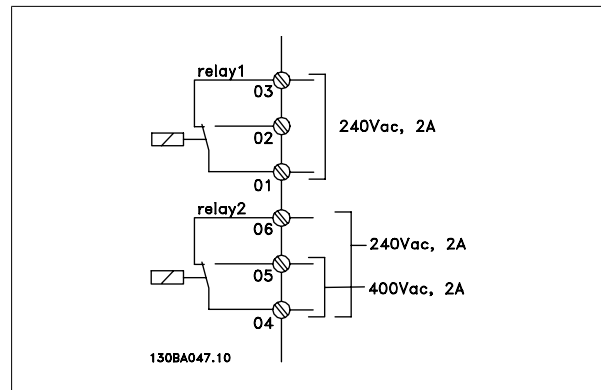
- Terminal 01: common
- Terminal 02: normal open 240 V AC
- Terminal 03: normal closed 240 V AC

Relay 1 and relay 2 are programmed in par. E-24 *Function Relay*, par. E-26 *On Delay, Relay*, and par. E-27 *Off Delay, Relay*.

Additional relay outputs can be added to the drive with the Relay Option Module, GE Model Number OPCRLY.

#### Relay 2

- Terminal 04: common
- Terminal 05: normal open 400 V AC
- Terminal 06: normal closed 240 V AC





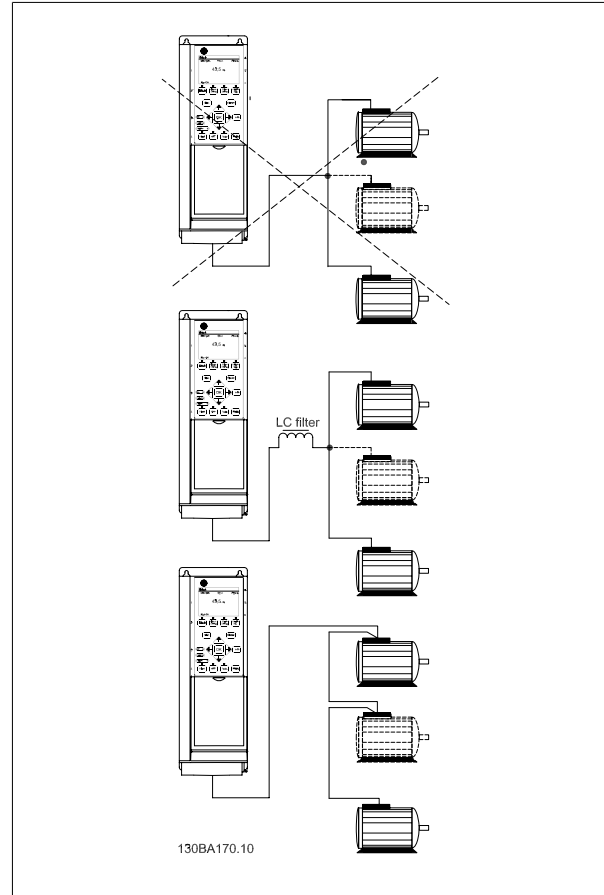
### 4.4.3 Parallel Connection of Motors

The frequency converter can control several parallel-connected motors. The total current consumption of the motors must not exceed the rated output current  $I_{INV}$  for the frequency converter.

**NB!**  
When motors are connected in parallel, par. P-04 *Auto Tune* cannot be used.

Problems may arise at start and at low RPM values if motor sizes are widely different because small motors' relatively high ohmic resistance in the stator calls for a higher voltage at start and at low RPM values.

The electronic thermal relay (Electronic Thermal Overload) of the frequency converter cannot be used as motor protection for the individual motor of systems with parallel-connected motors. Provide further motor protection by e.g. thermistors in each motor or individual thermal relays. (Circuit breakers are not suitable as protection).



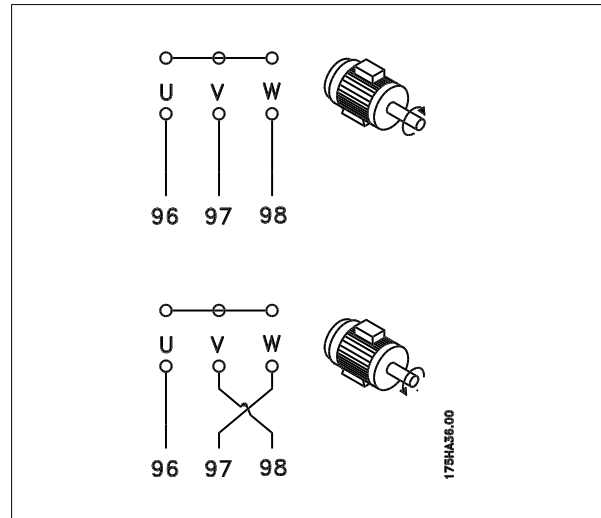
#### 4.4.4 Direction of Motor Rotation

The default setting is clockwise rotation with the frequency converter output connected as follows.

Terminal 96 connected to U-phase  
 Terminal 97 connected to V-phase  
 Terminal 98 connected to W-phase

4

The direction of motor rotation is changed by switching two motor phases.



#### 4.4.5 Motor Thermal Protection

The electronic thermal relay in the frequency converter has received the UL-approval for single motor protection, when par. F-10 *Electronic Overload* is set for *Electronic Thermal Overload Trip* and par. P-03 *Motor Current* is set to the rated motor current (see motor name plate).

#### 4.4.6 Motor Insulation

For motor cable lengths  $\leq$  the maximum cable length listed in the General Specifications tables the following motor insulation ratings are recommended because the peak voltage can be up to twice the DC link voltage, 2.8 times the mains voltage, due to transmission line effects in the motor cable. If a motor has lower insulation rating it recommended to use a du/dt or sine wave filter.

Nominal Mains Voltage	Motor Insulation
$U_N \leq 420$ V	Standard $U_{LL} = 1300$ V
$420$ V < $U_N \leq 500$ V	Reinforced $U_{LL} = 1600$ V
$500$ V < $U_N \leq 600$ V	Reinforced $U_{LL} = 1800$ V
$600$ V < $U_N \leq 690$ V	Reinforced $U_{LL} = 2000$ V



#### 4.4.7 Motor Bearing Currents

All motors installed with 110 kW or higher power drives should have NDE (Non-Drive End) insulated bearings installed to eliminate circulating bearing currents. To minimize DE (Drive End) bearing and shaft currents proper grounding of the drive, motor, driven machine, and motor to the driven machine is required.

##### Standard Mitigation Strategies:

1. Use an insulated bearing
2. Apply rigorous installation procedures
  - Ensure the motor and load motor are aligned
  - Strictly follow the EMC Installation guideline
  - Reinforce the PE so the high frequency impedance is lower in the PE than the input power leads
  - Provide a good high frequency connection between the motor and the frequency converter for instance by screened cable which has a 360° connection in the motor and the frequency converter
  - Make sure that the impedance from frequency converter to building ground is lower than the grounding impedance of the machine. This can be difficult for pumps- Make a direct earth connection between the motor and load motor.
3. Apply conductive lubrication
4. Try to ensure the line voltage is balanced to ground. This can be difficult for IT, TT, TN-CS or Grounded leg systems
5. Use an insulated bearing as recommended by the motor manufacturer (note: Motors from reputable manufacturers will typically have these fitted as standard in motors of this size)

If found to be necessary and after consultation with GE:

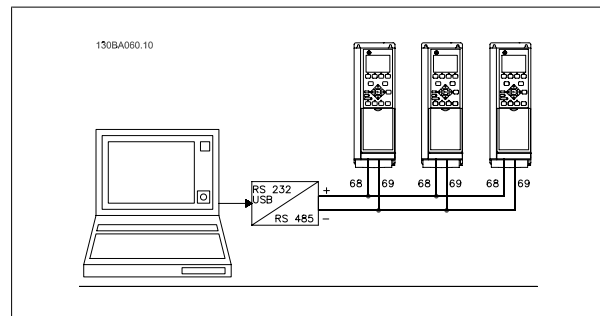
6. Lower the IGBT switching frequency
7. Modify the inverter waveform, 60° AVM vs. SFAVM
8. Install a shaft grounding system or use an isolating coupling between motor and load
9. Use minimum speed settings if possible
10. Use a dU/dt or sinus filter

## 4.5 Installation of Misc. Connections

### 4.5.1 RS 485 Bus Connection

One or more frequency converters can be connected to a control (or master) using the RS485 standardized interface. Terminal 68 is connected to the P signal (TX+, RX+), while terminal 69 is connected to the N signal (TX-,RX-).

If more than one frequency converter is connected to a master, use parallel connections.



In order to avoid potential equalizing currents in the screen, earth the cable screen via terminal 61, which is connected to the frame via an RC-link.

#### Bus termination

The RS485 bus must be terminated by a resistor network at both ends. For this purpose, set switch S801 on the control card for "ON". For more information, see the paragraph *Switches S201, S202, and S801*.

### 4.5.2 How to Connect a PC to the Frequency Converter

To control or program the frequency converter from a PC, install the PC-based Drive Control Tool DCT 10.

The PC is connected via a standard (host/device) USB cable, or via the RS-485 interface as shown in the *AF-600 FP Design Guide, chapter How to Install > Installation of misc. connections*.

#### NB!

The USB connection is galvanically isolated from the supply voltage (PELV) and other high-voltage terminals. The USB connection is connected to protection earth on the frequency converter. Use only isolated laptop as PC connection to the USB connector on the frequency converter.

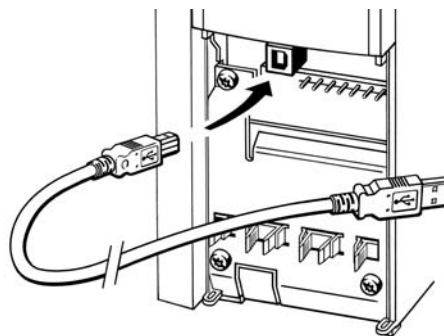


Illustration 4.20: For control cable connections, see section on *Control Terminals*.

#### PC-based Configuration Tool DCT 10

All drives are equipped with a serial communication port. We provide a PC tool for communication between PC and frequency converter, PC-based Configuration Tool DCT 10.

**DCT 10 Set-up Software**

DCT 10 has been designed as an easy to use interactive tool for setting parameters in our frequency converters.

The PC-based Configuration Tool DCT 10 will be useful for:

- Planning a communication network off-line. DCT 10 contains a complete frequency converter database
- Commissioning frequency converters on line
- Saving settings for all frequency converters
- Replacing a frequency converter in a network
- Expanding an existing network
- Future developed drives will be supported

The PC-based Configuration Tool DCT 10 supports Profibus DP-V1 via a Master class 2 connection. It makes it possible to on line read/write parameters in a frequency converter via the Profibus network. This will eliminate the need for an extra communication network. See *Operating Instructions DET-609 and DET-610* for more information about the features supported by the Profibus DP V1 functions.

4

**Save Drive Settings:**

1. Connect a PC to the unit via USB com port
2. Open PC-based Configuration Tool DCT 10
3. Choose "Read from drive"
4. Choose "Save as"

All parameters are now stored in the PC.

**Load Drive Settings:**


1. Connect a PC to the unit via USB com port
2. Open PC-based Configuration Tool DCT 10
3. Choose "Open"– stored files will be shown
4. Open the appropriate file
5. Choose "Write to drive"

All parameter settings are now transferred to the frequency converter.

A separate manual for PC-based Configuration Tool DCT 10 is available.

**The PC-based Configuration Tool DCT 10 modules**

The following modules are included in the software package:

	<b>DCT 10 Set-up Software</b>
	Setting parameters Copy to and from frequency converters Documentation and print out of parameter settings incl. diagrams
	<b>Ext. User Interface</b>
	Preventive Maintenance Schedule Clock settings Timed Action Programming Logic Controller Set-up

## 4.6 Safety

### 4.6.1 High Voltage Test

Carry out a high voltage test by short-circuiting terminals U, V, W, L<sub>1</sub>, L<sub>2</sub> and L<sub>3</sub>. Energize maximum 2.15 kV DC for 380-480V frequency converters and 2.525 kV DC for 525-690V frequency converters for one second between this short-circuit and the chassis.

**NB!**

When running high voltage tests of the entire installation, interrupt the mains and motor connection if the leakage currents are too high.

**4**

### 4.6.2 Safety Earth Connection

The frequency converter has a high leakage current and must be earthed appropriately for safety reasons according to EN 50178.



The earth leakage current from the frequency converter exceeds 3.5 mA. To ensure a good mechanical connection from the earth cable to the earth connection (terminal 95), the cable cross-section must be at least 10 mm<sup>2</sup> or 2 rated earth wires terminated separately.

## 4.7 EMC-correct Installation

### 4.7.1 Electrical Installation - EMC Precautions

The following is a guideline to good engineering practice when installing frequency converters. Follow these guidelines to comply with EN 61800-3 *First environment*. If the installation is in EN 61800-3 *Second environment*, i.e. industrial networks, or in an installation with its own transformer, deviation from these guidelines is allowed but not recommended. See also paragraphs *CE Labelling*, *General Aspects of EMC Emission* and *EMC Test Results*.

**Good engineering practice to ensure EMC-correct electrical installation:**

- Use only braided screened/armoured motor cables and braided screened/armoured control cables. The screen should provide a minimum coverage of 80%. The screen material must be metal, not limited to but typically copper, aluminium, steel or lead. There are no special requirements for the mains cable.
- Installations using rigid metal conduits are not required to use screened cable, but the motor cable must be installed in conduit separate from the control and mains cables. Full connection of the conduit from the drive to the motor is required. The EMC performance of flexible conduits varies a lot and information from the manufacturer must be obtained.
- Connect the screen/armour/conduit to earth at both ends for motor cables as well as for control cables. In some cases, it is not possible to connect the screen in both ends. If so, connect the screen at the frequency converter. See also *Earthing of Braided Screened/Armoured Control Cables*.
- Avoid terminating the screen/armour with twisted ends (pigtailed). It increases the high frequency impedance of the screen, which reduces its effectiveness at high frequencies. Use low impedance cable clamps or EMC cable glands instead.
- Avoid using unscreened/unarmoured motor or control cables inside cabinets housing the drive(s), whenever this can be avoided.

Leave the screen as close to the connectors as possible.

The illustration shows an example of an EMC-correct electrical installation of an IP 20 frequency converter. The frequency converter is fitted in an installation cabinet with an output contactor and connected to a PLC, which is installed in a separate cabinet. Other ways of doing the installation may have just as good an EMC performance, provided the above guide lines to engineering practice are followed.

If the installation is not carried out according to the guideline and if unscreened cables and control wires are used, some emission requirements are not complied with, although the immunity requirements are fulfilled. See the paragraph *EMC test results*.

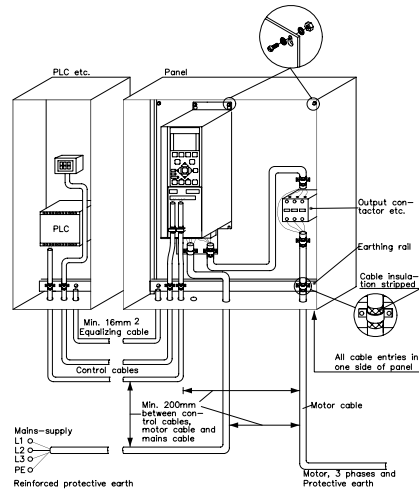


Illustration 4.21: EMC-correct electrical installation of a frequency converter in cabinet.

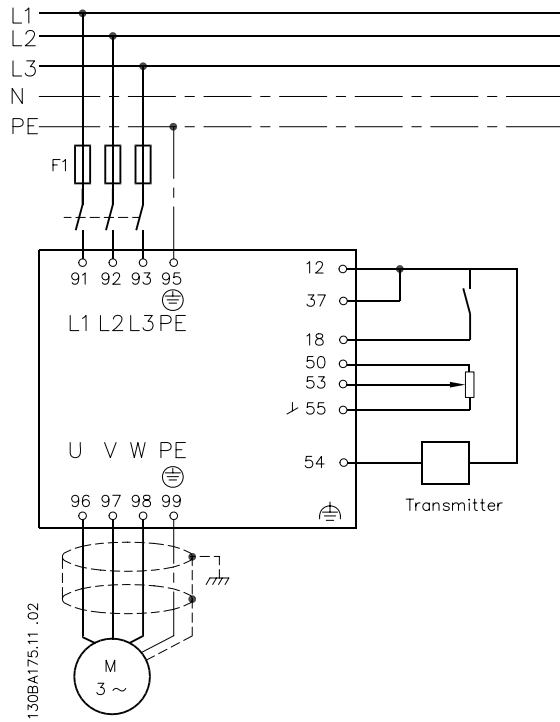


Illustration 4.22: Electrical connection diagram.



## 4.7.2 Use of EMC-Correct Cables

GE recommends braided screened/armoured cables to optimise EMC immunity of the control cables and the EMC emission from the motor cables.

The ability of a cable to reduce the in- and outgoing radiation of electric noise depends on the transfer impedance ( $Z_T$ ). The screen of a cable is normally designed to reduce the transfer of electric noise; however, a screen with a lower transfer impedance ( $Z_T$ ) value is more effective than a screen with a higher transfer impedance ( $Z_T$ ).

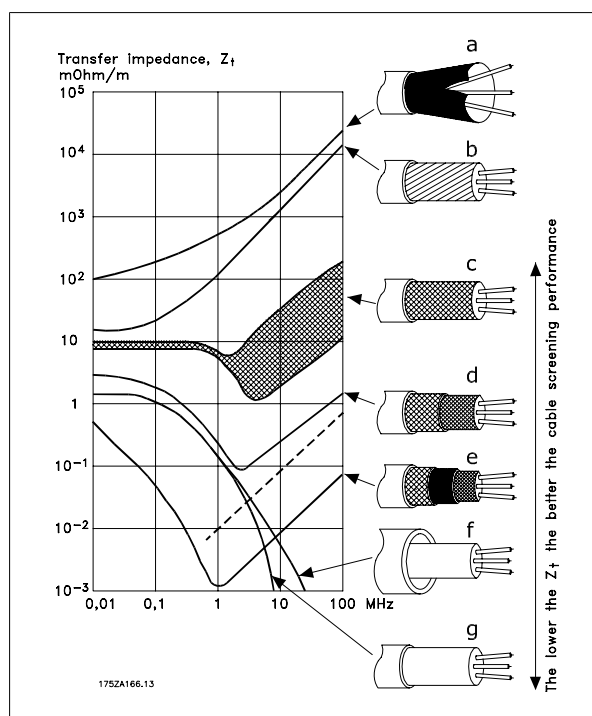
Transfer impedance ( $Z_T$ ) is rarely stated by cable manufacturers but it is often possible to estimate transfer impedance ( $Z_T$ ) by assessing the physical design of the cable.

# 4

Transfer impedance ( $Z_T$ ) can be assessed on the basis of the following factors:

- The conductivity of the screen material.
- The contact resistance between the individual screen conductors.
- The screen coverage, i.e. the physical area of the cable covered by the screen - often stated as a percentage value.
- Screen type, i.e. braided or twisted pattern.

- a. Aluminium-clad with copper wire.
- b. Twisted copper wire or armoured steel wire cable.
- c. Single-layer braided copper wire with varying percentage screen coverage.  
This is the typical GE reference cable.
- d. Double-layer braided copper wire.
- e. Twin layer of braided copper wire with a magnetic, screened/armoured intermediate layer.
- f. Cable that runs in copper tube or steel tube.
- g. Lead cable with 1.1 mm wall thickness.

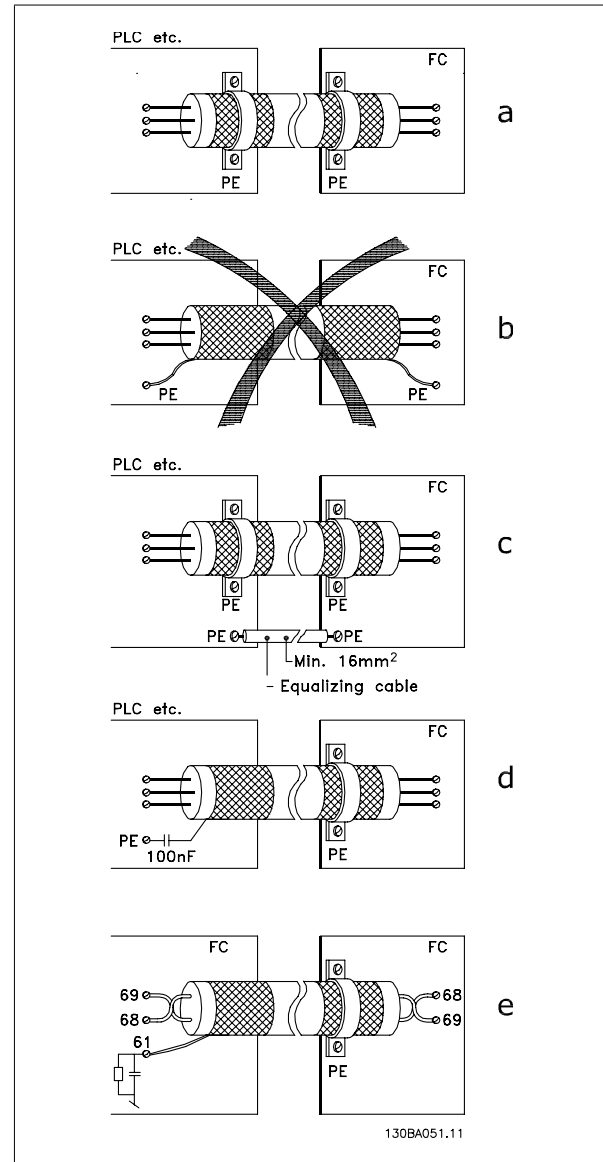


### 4.7.3 Earthing of Screened/Armoured Control Cables

Generally speaking, control cables must be braided screened/armoured and the screen must be connected by means of a cable clamp at both ends to the metal cabinet of the unit.

The drawing below indicates how correct earthing is carried out and what to do if in doubt.

- Correct earthing**  
 Control cables and cables for serial communication must be fitted with cable clamps at both ends to ensure the best possible electrical contact.
- Wrong earthing**  
 Do not use twisted cable ends (pigtailed). They increase the screen impedance at high frequencies.
- Protection with respect to earth potential between PLC and frequency converter**  
 If the earth potential between the frequency converter and the PLC (etc.) is different, electric noise may occur that will disturb the entire system. Solve this problem by fitting an equalising cable, next to the control cable. Minimum cable cross-section: 16 mm<sup>2</sup>.
- For 50/60 Hz earth loops**  
 If very long control cables are used, 50/60 Hz earth loops may occur. Solve this problem by connecting one end of the screen to earth via a 100nF capacitor (keeping leads short).
- Cables for serial communication**  
 Eliminate low-frequency noise currents between two frequency converters by connecting one end of the screen to terminal 61. This terminal is connected to earth via an internal RC link. Use twisted-pair cables to reduce the differential mode interference between the conductors.



### 4.8.1 Residual Current Device

You can use RCD relays, multiple protective earthing or earthing as extra protection, provided that local safety regulations are complied with.

If an earth fault appears, a DC content may develop in the faulty current.

If RCD relays are used, you must observe local regulations. Relays must be suitable for protection of 3-phase equipment with a bridge rectifier and for a brief discharge on power-up see section *Earth Leakage Current* for further information.



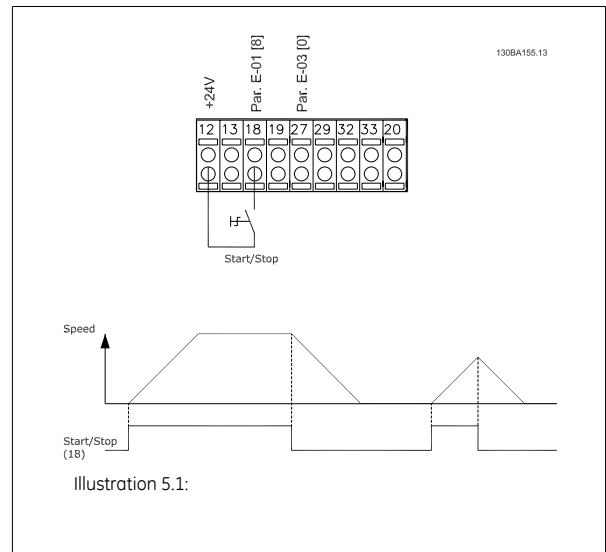


# 5 Application Examples

## 5.1.1 Start/Stop

Terminal 18 = start/stop par. E-01 Terminal 18 Digital Input [8] Start  
Terminal 27 = No operation par. E-03 Terminal 27 Digital Input [0] No operation

- Par. E-01 Terminal 18 Digital Input = Start (default)
- Par. E-03 Terminal 27 Digital Input = no operation (default)

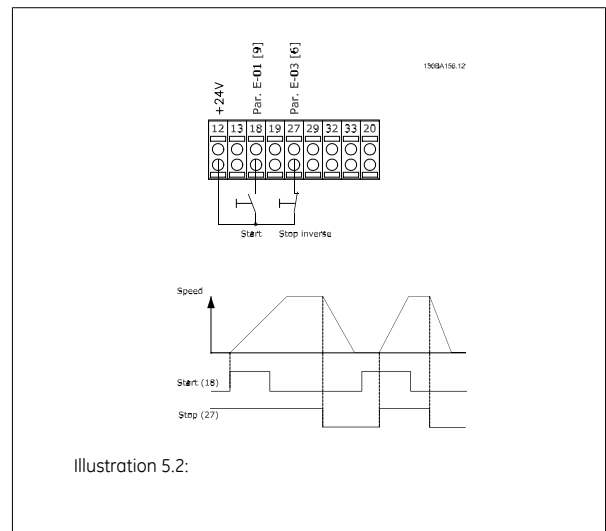


5

## 5.1.2 Pulse Start/Stop

Terminal 18 = start/stop par. E-01 Terminal 18 Digital Input [9] Latched start  
Terminal 27 = Stop par. E-03 Terminal 27 Digital Input [6] Stop inverse

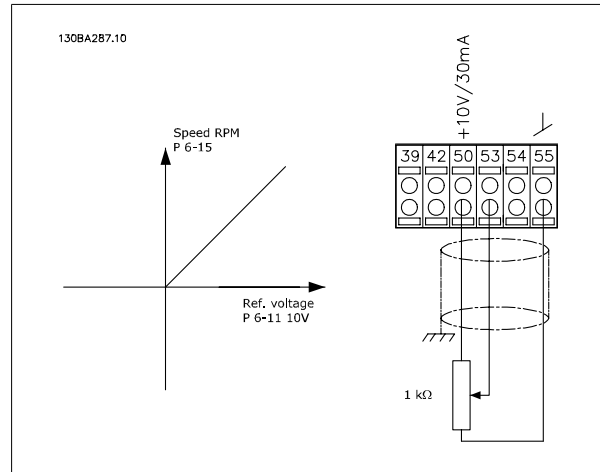
- Par. E-01 Terminal 18 Digital Input = Latched start
- Par. E-03 Terminal 27 Digital Input = Stop inverse



### 5.1.3 Potentiometer Reference

Voltage reference via a potentiometer.

- Par. F-01 *Frequency Setting 1 [1] = Analog Input 53*
- Par. AN-10 *Terminal 53 Low Voltage = 0 Volt*
- Par. AN-11 *Terminal 53 High Voltage = 10 Volt*
- Par. AN-14 *Terminal 53 Low Ref./Feedb. Value = 0 RPM*
- Par. AN-15 *Terminal 53 High Ref./Feedb. Value = 1.500 RPM*
- Switch S201 = OFF (U)



5

### 5.1.4 Auto Tune

Auto tune is an algorithm to measure the electrical motor parameters on a motor at standstill. This means that auto tune itself does not supply any torque. Auto tune is useful when commissioning systems and optimising the adjustment of the frequency converter to the applied motor. This feature is particularly used where the default setting does not apply to the connected motor.

Par. P-04 *Auto Tune* allows a choice of complete auto tune with determination of all electrical motor parameters or reduced auto tune with determination of the stator resistance  $R_s$  only.

The duration of a total auto tune varies from a few minutes on small motors to more than 15 minutes on large motors.

#### Limitations and preconditions:

- For the auto tune to determine the motor parameters optimally, enter the correct motor nameplate data in P-07, P-02, F-05, F-04, P-03, P-06.
- For the best adjustment of the frequency converter, carry out auto tune on a cold motor. Repeated auto tune runs may lead to a heating of the motor, which results in an increase of the stator resistance,  $R_s$ . Normally, this is not critical.
- Auto tune can only be carried out if the rated motor current is minimum 35% of the rated output current of the frequency converter. Auto tune can be carried out on up to one oversize motor.
- It is possible to carry out a reduced auto tune test with a Sine-wave filter installed. Avoid carrying out a complete auto tune with a Sine-wave filter. If an overall setting is required, remove the Sine-wave filter while running a total auto tune. After completion of the auto tune, reinsert the Sine-wave filter.
- If motors are coupled in parallel, use only reduced auto tune if any.
- Avoid running a complete auto tune when using synchronous motors. If synchronous motors are applied, run a reduced auto tune and manually set the extended motor data. The auto tune function does not apply to permanent magnet motors.
- The frequency converter does not produce motor torque during an auto tune. During an auto tune, it is imperative that the application does not force the motor shaft to run, which is known to happen with e.g. wind milling in ventilation systems. This disturbs the auto tune function.

### 5.1.5 Logic Controller

New useful facility in the AF-600 FP frequency converter is the Logic Controller (LC).

In applications where a PLC is generating a simple sequence the LC may take over elementary tasks from the main control.

LC is designed to act from event send to or generated in the frequency converter. The frequency converter will then perform the pre-programmed action.



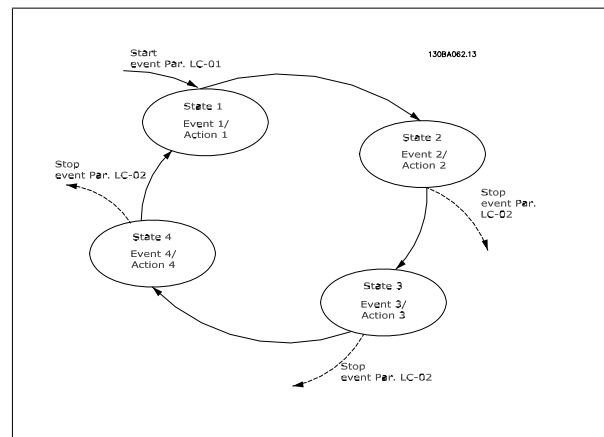
### 5.1.6 Logic Controller Programming

The Logic Controller (LC) is essentially a sequence of user defined actions (see par. LC-52 *Logic Controller Action*) executed by the LC when the associated user defined event (see par. LC-51 *Logic Controller Event*) is evaluated as TRUE by the LC.

Events and actions are each numbered and are linked in pairs called states. This means that when event [1] is fulfilled (attains the value TRUE), action [1] is executed. After this, the conditions of event [2] will be evaluated and if evaluated TRUE, action [2] will be executed and so on. Events and actions are placed in array parameters.

Only one event will be evaluated at any time. If an event is evaluated as FALSE, nothing happens (in the LC) during the present scan interval and no other events will be evaluated. This means that when the LC starts, it evaluates event [1] (and only event [1]) each scan interval. Only when event [1] is evaluated TRUE, the LC executes action [1] and starts evaluating event [2].

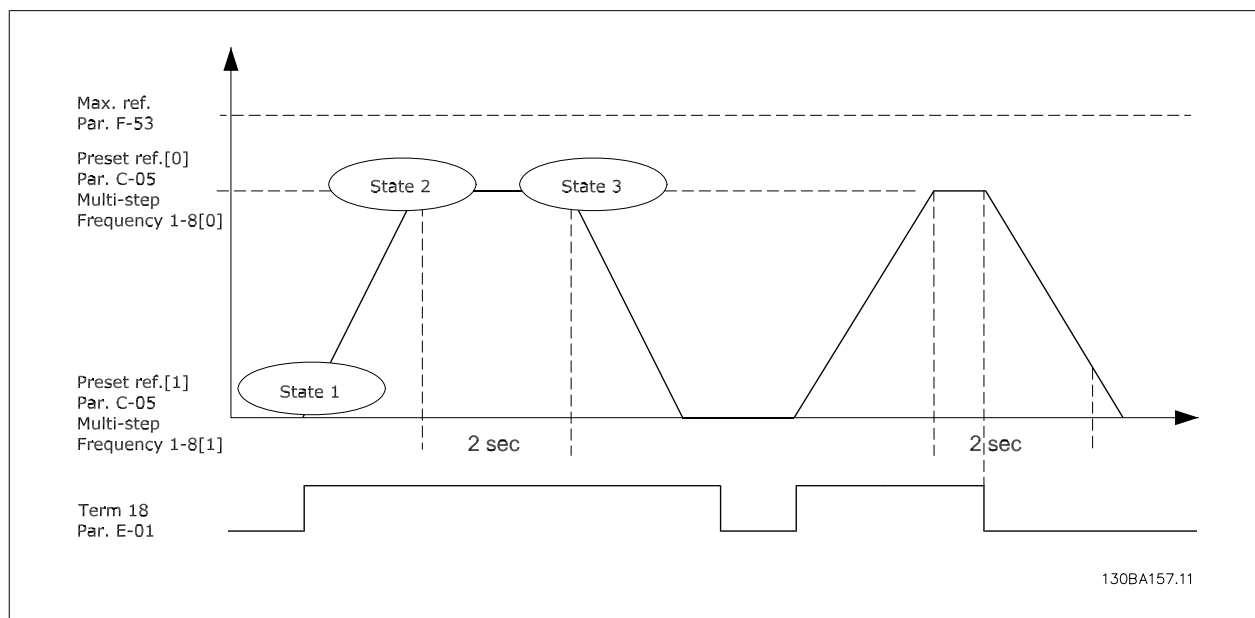
It is possible to program from 0 to 20 events and actions. When the last event / action has been executed, the sequence starts over again from event [1] / action [1]. The illustration shows an example with three events / actions:



### 5.1.7 LC Application Example

One sequence 1:

Start – accel – run at reference speed 2 sec – decel and hold shaft until stop.



Set the accel/decel times in par. F-07 *Accel Time 1* and par. F-08 *Decel Time 1* to the wanted times

$$t_{ramp} = \frac{t_{acc} \times n_{norm} (par. P - 06)}{ref[RPM]}$$



Set Preset reference 0 to first preset speed (par. C-05 Multi-step Frequency 1 - 8 [0]) in percentage of Max reference speed (par. F-53 Maximum Reference). Ex.: 60%

Set preset reference 1 to second preset speed (par. C-05 Multi-step Frequency 1 - 8 [1] Ex.: 0 % (zero).

Set the timer 0 for constant running speed in par. LC-20 Logic Controller Timer [0]. Ex.: 2 sec.

Set Event 1 in par. LC-51 Logic Controller Event [1] to True [1]

Set Event 2 in par. LC-51 Logic Controller Event [2] to On Reference [4]

Set Event 3 in par. LC-51 Logic Controller Event [3] to Time Out [30]

Set Event 4 in par. LC-51 Logic Controller Event [4] to False [0]

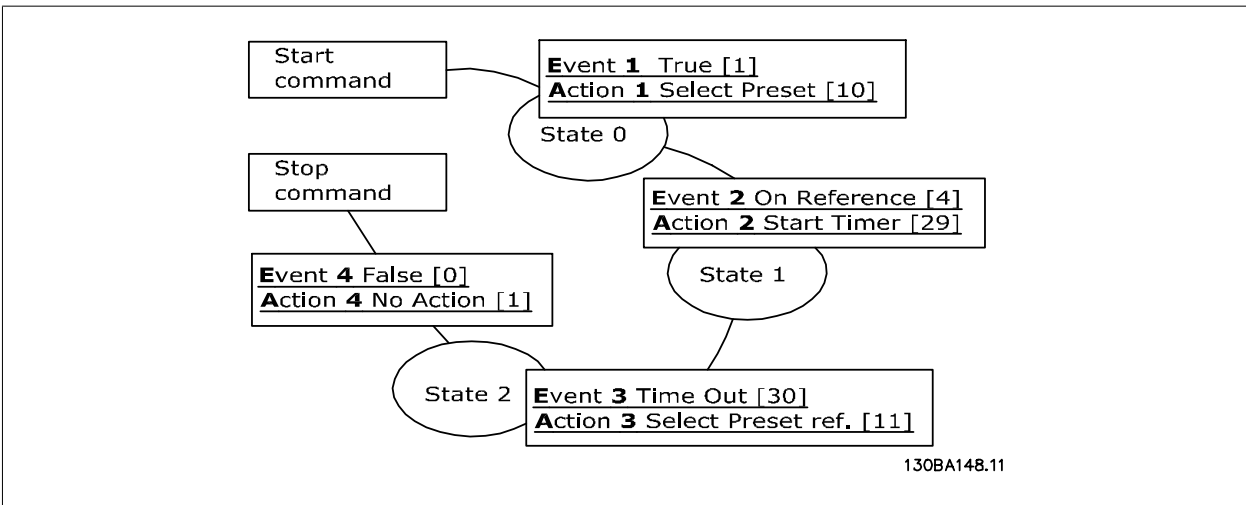
Set Action 1 in par. LC-52 Logic Controller Action [1] to Select preset 0 [10]

Set Action 2 in par. LC-52 Logic Controller Action [2] to Start Timer 0 [29]

Set Action 3 in par. LC-52 Logic Controller Action [3] to Select preset 1 [11]

Set Action 4 in par. LC-52 Logic Controller Action [4] to No Action [1]

5

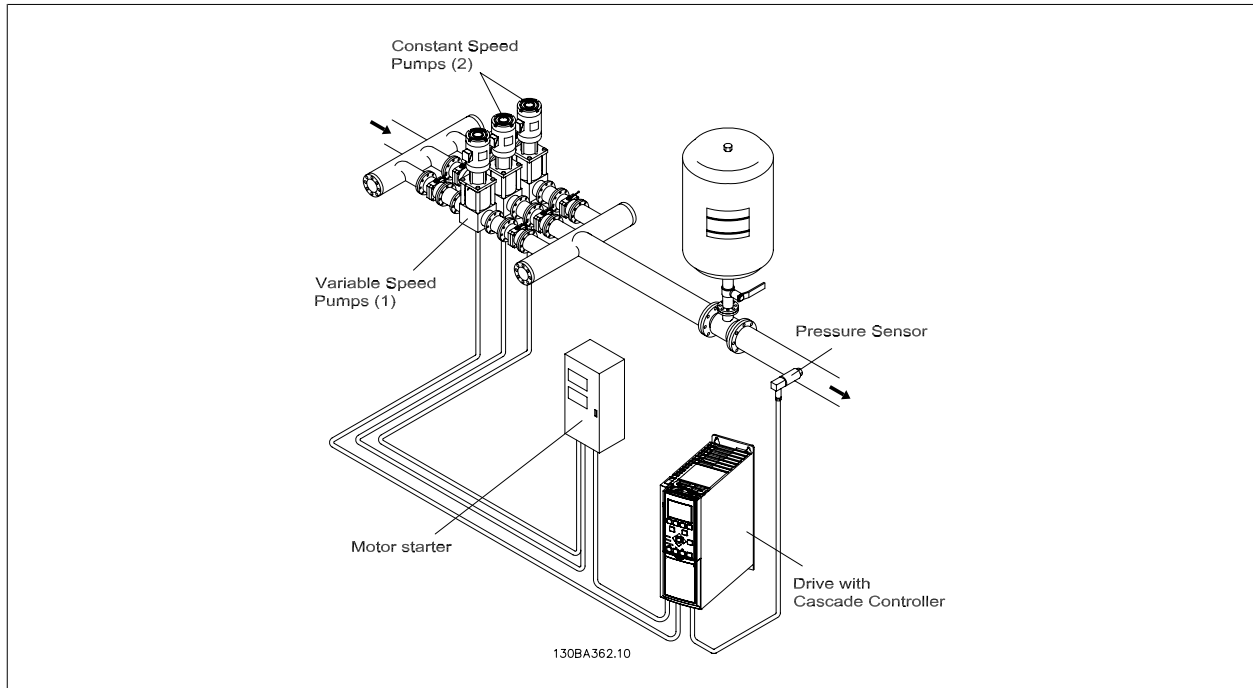


Set the Logic Controller in par. LC-00 Logic Controller Mode to ON.

Start / stop command is applied on terminal 18. If stop signal is applied the frequency converter will decel and go into free mode.



### 5.1.8 BASIC Cascade Controller



5

The BASIC Cascade Controller is used for pump applications where a certain pressure ("head") or level needs to be maintained over a wide dynamic range. Running a large pump at variable speed over a wide for range is not an ideal solution because of low pump efficiency and because there is a practical limit of about 25% rated full load speed for running a pump.

In the BASIC Cascade Controller the frequency converter controls a variable speed motor as the variable speed pump (lead) and can stage up to two additional constant speed pumps on and off. By varying the speed of the initial pump, variable speed control of the entire system is provided. This maintains constant pressure while eliminating pressure surges, resulting in reduced system stress and quieter operation in pumping systems.

#### Fixed Lead Pump

The motors must be of equal size. The BASIC Cascade Controller allows the frequency converter to control up to 3 equal size pumps using the drives two built-in relays. When the variable pump (lead) is connected directly to the frequency converter, the other 2 pumps are controlled by the two built-in relays. When lead pump alternations is enabled, pumps are connected to the built-in relays and the frequency converter is capable of operating 2 pumps.

#### Lead Pump Alternation

The motors must be of equal size. This function makes it possible to cycle the frequency converter between the pumps in the system (maximum of 2 pumps). In this operation the run time between pumps is equalized reducing the required pump maintenance and increasing reliability and lifetime of the system. The alternation of the lead pump can take place at a command signal or at staging (adding another pump).

The command can be a manual alternation or an alternation event signal. If the alternation event is selected, the lead pump alternation takes place every time the event occurs. Selections include whenever an alternation timer expires, at a predefined time of day or when the lead pump goes into sleep mode. Staging is determined by the actual system load.

A separate parameter limits alternation only to take place if total capacity required is > 50%. Total pump capacity is determined as lead pump plus fixed speed pumps capacities.

#### Bandwidth Management

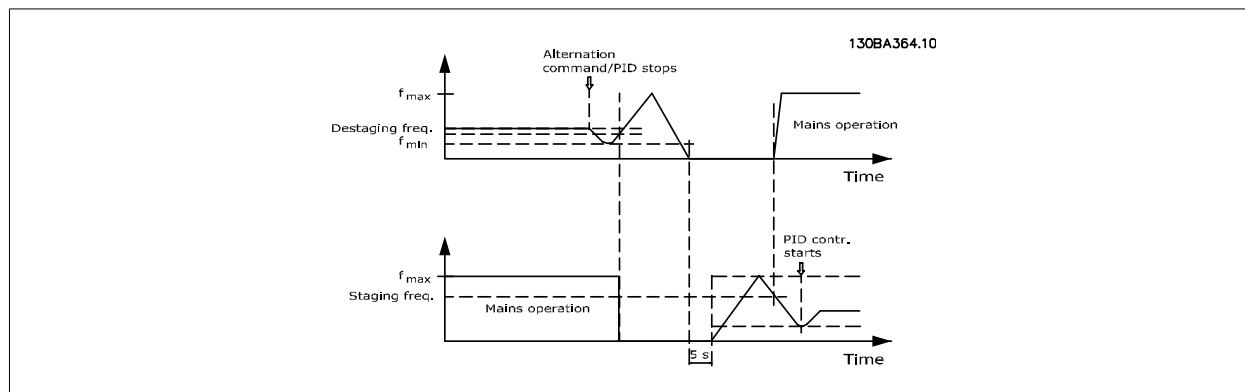
In cascade control systems, to avoid frequent switching of fixed speed pumps, the desired system pressure is kept within a bandwidth rather than at a constant level. The Staging Bandwidth provides the required bandwidth for operation. When a large and quick change in system pressure occurs, the Override Bandwidth overrides the Staging Bandwidth to prevent immediate response to a short duration pressure change. An Override Bandwidth Timer can be programmed to prevent staging until the system pressure has stabilized and normal control established.





When the Cascade Controller is enabled and running normally and the frequency converter issues a trip alarm, the system head is maintained by staging and destaging fixed speed pumps. To prevent frequent staging and destaging and minimize pressure fluctuations, a wider Fixed Speed Bandwidth is used instead of the Staging bandwidth.

### 5.1.9 Pump Staging with Lead Pump Alternation



With lead pump alternation enabled, a maximum of two pumps are controlled. At an alternation command, the lead pump will ramp to minimum frequency ( $f_{min}$ ) and after a delay will ramp to maximum frequency ( $f_{max}$ ). When the speed of the lead pump reaches the destaging frequency, the fixed speed pump will be cut out (destaged). The lead pump continues to accel and then decels to a stop and the two relays are cut out.

After a time delay, the relay for the fixed speed pump cuts in (staged) and this pump becomes the new lead pump. The new lead pump accels to maximum speed and then down to minimum speed when decelling and reaching the staging frequency, the old lead pump is now cut in (staged) on the mains as the new fixed speed pump.

If the lead pump has been running at minimum frequency ( $f_{min}$ ) for a programmed amount of time, with a fixed speed pump running, the lead pump contributes little to the system. When the programmed value of the timer expires, the lead pump is removed, avoiding a deal heat water circulation problem.

### 5.1.10 System Status and Operation

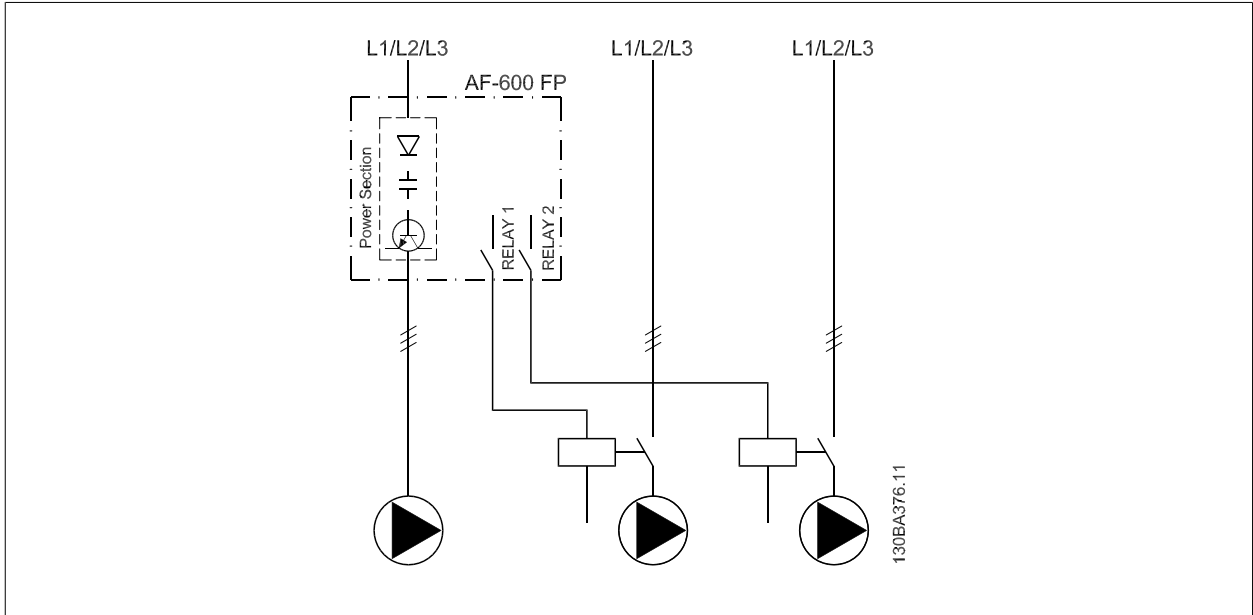
If the lead pump goes into Sleep Mode, the function is displayed on the keypad. It is possible to alternate the lead pump on a Sleep Mode condition.

When the Cascade Controller is enabled, the operation status for each pump and the Cascade Controller is displayed on the keypad. Information displayed includes:

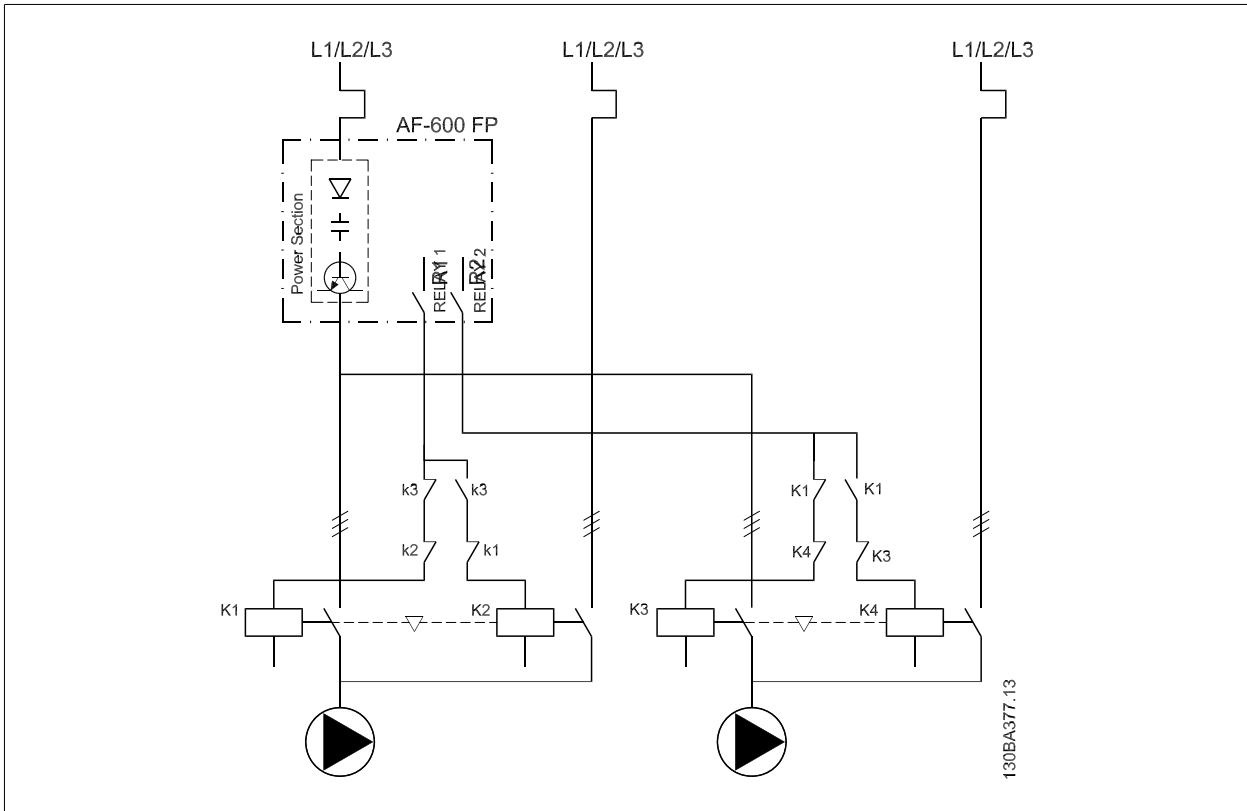
- Pumps Status, is a read out of the status for the relays assigned to each pump. The display shows pumps that are disabled, off, running on the frequency converter or running on the mains/motor starter.
- Cascade Status, is a read out of the status for the Cascade Controller. The display shows the Cascade Controller is disabled, all pumps are off, and emergency has stopped all pumps, all pumps are running, fixed speed pumps are being staged/destaged and lead pump alternation is occurring.
- Destage at No-Flow ensures that all fixed speed pumps are stopped individually until the no-flow status disappears.



### 5.1.11 Fixed Variable Speed Pump Wiring Diagram



## 5.1.12 Lead Pump Alternation Wiring Diagram



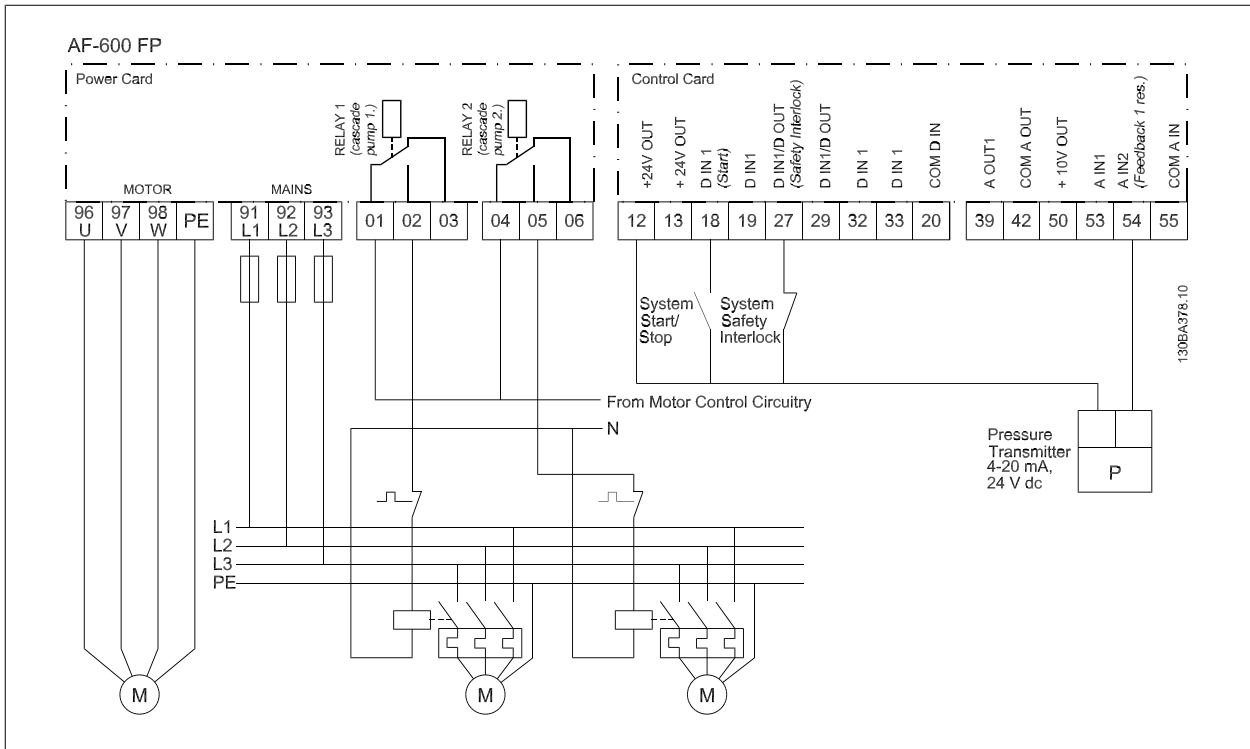
Every pump must be connected to two contactors (K1/K2 and K3/K4) with a mechanical interlock. Thermal relays or other motor protection devices must be applied according to local regulation and/or individual demands.

- RELAY 1 (R1) and RELAY 2 (R2) are the built-in relays in the frequency converter.
- When all relays are de-energized, the first built in relay to be energized will cut in the contactor corresponding to the pump controlled by the relay. E.g. RELAY 1 cuts in contactor K1, which becomes the lead pump.
- K1 blocks for K2 via the mechanical interlock preventing mains to be connected to the output of the frequency converter (via K1).
- Auxiliary break contact on K1 prevents K3 to cut in.
- RELAY 2 controls contactor K4 for on/off control of the fixed speed pump.
- At alternation both relays de-energizes and now RELAY 2 will be energized as the first relay.



### 5.1.13 Cascade Controller Wiring Diagram

The wiring diagram shows an example with the built in BASIC Cascade Controller with one variable speed pump (lead) and two fixed speed pumps, a 4-20 mA transmitter and System Safety Interlock.



5

### 5.1.14 Start/Stop Conditions

Commands assigned to digital inputs. See *Digital Inputs*, parameter group ID-40.

	Variable speed pump (lead)	Fixed speed pumps
Start (SYSTEM START /STOP)	Accels (if stopped and there is a demand)	Staging (if stopped and there is a demand)
Lead Pump Start	Accels if SYSTEM START is active	Not affected
Coast (EMERGENCY STOP)	Coast to stop	Cut out (built in relays are de-energized)
Safety Interlock	Coast to stop	Cut out (built in relays are de-energized)

Function of buttons on keypad:

	Variable speed pump (lead)	Fixed speed pumps
Hand	Accels (if stopped by a normal stop command) or stays in operation if already running	Destaging (if running)
Off	Decels	Decels
Auto	Starts and stops according to commands via terminals or serial bus	Staging/Destaging





## 6 RS-485 Installation and Set-up

### 6.1 RS-485 Installation and Set-up

#### 6.1.1 Overview

RS-485 is a two-wire bus interface compatible with multi-drop network topology, i.e. nodes can be connected as a bus, or via drop cables from a common trunk line. A total of 32 nodes can be connected to one network segment.

Network segments are divided up by repeaters. Please note that each repeater functions as a node within the segment in which it is installed. Each node connected within a given network must have a unique node address, across all segments.

Terminate each segment at both ends, using either the termination switch (S801) of the frequency converters or a biased termination resistor network. Always use screened twisted pair (STP) cable for bus cabling, and always follow good common installation practice.

Low-impedance ground connection of the screen at every node is very important, including at high frequencies. This can be achieved by connecting a large surface of the screen to ground, for example by means of a cable clamp or a conductive cable gland. It may be necessary to apply potential-equalizing cables to maintain the same ground potential throughout the network, particularly in installations where there are long lengths of cable.

To prevent impedance mismatch, always use the same type of cable throughout the entire network. When connecting a motor to the frequency converter, always use screened motor cable.

Cable: Screened twisted pair (STP)
Impedance: 120 Ohm
Cable length: Max. 1200 m (including drop lines)
Max. 500 m station-to-station

#### 6.1.2 Network Connection

Connect the frequency converter to the RS-485 network as follows (see also diagram):

1. Connect signal wires to terminal 68 (P+) and terminal 69 (N-) on the main control board of the frequency converter.
2. Connect the cable screen to the cable clamps.

**NB!**

Screened, twisted-pair cables are recommended in order to reduce noise between conductors.

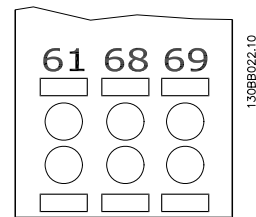
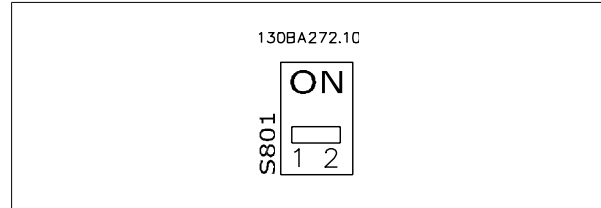


Illustration 6.1: Network Terminal Connection



### 6.1.3 Frequency Converter Hardware Setup

Use the terminator dip switch on the main control board of the frequency converter to terminate the RS-485 bus.



Terminator Switch Factory Setting

**NB!**

The factory setting for the dip switch is OFF.

## 6

### 6.1.4 Frequency Converter Parameter Settings for Modbus Communication

The following parameters apply to the RS-485 interface (drive-port):

Parameter Number	Parameter name	Function
O-30	Protocol	Select the application protocol to run on the RS-485 interface
O-31	Address	Set the node address. Note: The address range depends on the protocol selected in par. O-30 <i>Protocol</i>
O-32	Baud Rate	Set the baud rate. Note: The default baud rate depends on the protocol selected in par. O-30 <i>Protocol</i>
O-33	PC port parity/Stop bits	Set the parity and number of stop bits. Note: The default selection depends on the protocol selected in par. O-30 <i>Protocol</i>
O-35	Min. response delay	Specify a minimum delay time between receiving a request and transmitting a response. This can be used for overcoming modem turnaround delays.
O-36	Max. response delay	Specify a maximum delay time between transmitting a request and receiving a response.
O-37	Max. inter-char delay	Specify a maximum delay time between two received bytes to ensure time-out if transmission is interrupted.

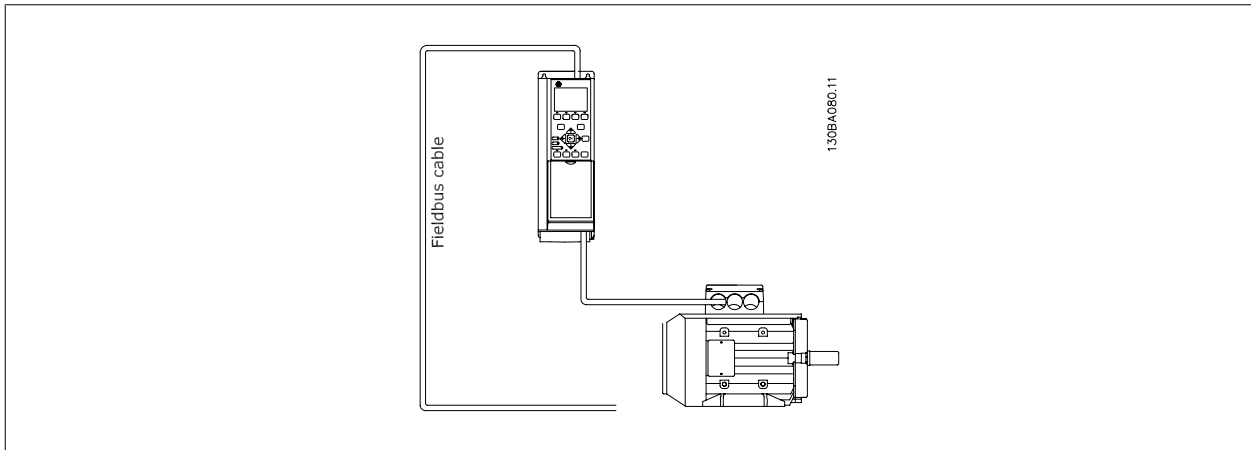


## 6.1.5 EMC Precautions

The following EMC precautions are recommended in order to achieve interference-free operation of the RS-485 network.

### NB!

Relevant national and local regulations, for example regarding protective earth connection, must be observed. The RS-485 communication cable must be kept away from motor and brake resistor cables to avoid coupling of high frequency noise from one cable to another. Normally a distance of 200 mm (8 inches) is sufficient, but keeping the greatest possible distance between the cables is generally recommended, especially where cables run in parallel over long distances. When crossing is unavoidable, the RS-485 cable must cross motor and brake resistor cables at an angle of 90 degrees.



## 6.2 Drive Protocol Overview

The Drive protocol, also referred to as Drive bus or Standard bus, is the GE standard network. It defines an access technique according to the master-slave principle for communications via a serial bus.

One master and a maximum of 126 slaves can be connected to the bus. The individual slaves are selected by the master via an address character in the telegram. A slave itself can never transmit without first being requested to do so, and direct message transfer between the individual slaves is not possible. Communications occur in the half-duplex mode.

The master function cannot be transferred to another node (single-master system).

The physical layer is RS-485, thus utilizing the RS-485 port built into the frequency converter. The Drive protocol supports different telegram formats; a short format of 8 bytes for process data, and a long format of 16 bytes that also includes a parameter channel. A third telegram format is used for texts.





### 6.2.1 Drive with Modbus RTU

The Drive protocol provides access to the Control Word and Bus Reference of the frequency converter.

The Control Word allows the Modbus master to control several important functions of the frequency converter:

- Start
- Stop of the frequency converter in various ways:
  - Coast stop
  - Quick stop
  - DC Brake stop
  - Normal (ramp) stop
- Reset after a fault trip
- Run at a variety of preset speeds
- Run in reverse
- Change of the active set-up
- Control of the two relays built into the frequency converter

The Bus Reference is commonly used for speed control. It is also possible to access the parameters, read their values, and where possible, write values to them. This permits a range of control options, including controlling the setpoint of the frequency converter when its internal PID controller is used.



## 6.3 Network Configuration

### 6.3.1 Frequency Converter Set-up

Set the following parameters to enable the Drive protocol for the frequency converter.

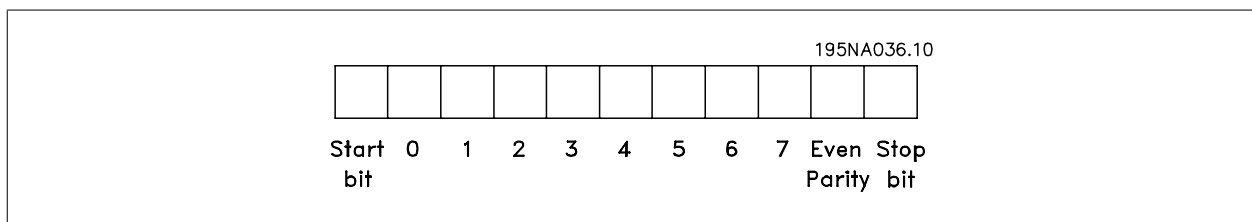
Parameter Number	Parameter Name	Setting
O-30	Protocol	Drive
O-31	Address	1 - 126
O-32	Baud Rate	2400 - 115200
O-33	Parity/Stop bits	Even parity, 1 stop bit (default)

## 6.4 Drive Protocol Message Framing Structure

**6**

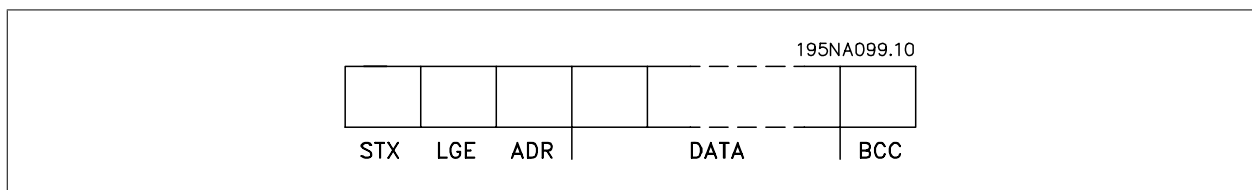
### 6.4.1 Content of a Character (byte)

Each character transferred begins with a start bit. Then 8 data bits are transferred, corresponding to a byte. Each character is secured via a parity bit, which is set at "1" when it reaches parity (i.e. when there is an equal number of 1's in the 8 data bits and the parity bit in total). A character is completed by a stop bit, thus consisting of 11 bits in all.



### 6.4.2 Telegram Structure

Each telegram begins with a start character (STX)=02 Hex, followed by a byte denoting the telegram length (LGE) and a byte denoting the frequency converter address (ADR). A number of data bytes (variable, depending on the type of telegram) follows. The telegram is completed by a data control byte (BCC).



### 6.4.3 Telegram Length (LGE)

The telegram length is the number of data bytes plus the address byte ADR and the data control byte BCC.

The length of messages with 4 data bytes is	$LGE = 4 + 1 + 1 = 6$ bytes
The length of messages with 12 data bytes is	$LGE = 12 + 1 + 1 = 14$ bytes
The length of messages containing texts is	$10^1+n$ bytes

<sup>1)</sup> The 10 represents the fixed characters, while the "n" is variable (depending on the length of the text).



### 6.4.4 Frequency Converter Address (ADR)

Two different address formats are used.

The address range of the frequency converter is either 1-31 or 1-126.

1. Address format 1-31:

Bit 7 = 0 (address format 1-31 active)

Bit 6 is not used

Bit 5 = 1: Broadcast, address bits (0-4) are not used

Bit 5 = 0: No Broadcast

Bit 0-4 = Frequency converter address 1-31

2. Address format 1-126:

Bit 7 = 1 (address format 1-126 active)

Bit 0-6 = Frequency converter address 1-126

Bit 0-6 = 0 Broadcast

The slave returns the address byte unchanged to the master in the response telegram.

### 6.4.5 Data Control Byte (BCC)

The checksum is calculated as an XOR-function. Before the first byte in the telegram is received, the Calculated Checksum is 0.

### 6.4.6 The Data Field

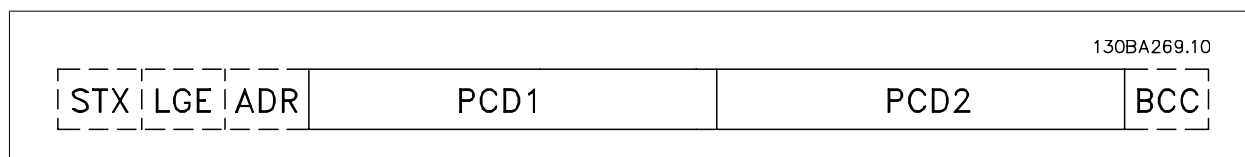
The structure of data blocks depends on the type of telegram. There are three telegram types, and the type applies for both control messages (master=>slave) and response messages (slave=>master).

The three types of telegram are:

Process block (PCD):

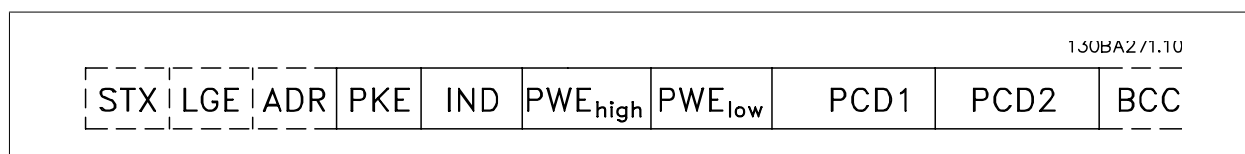
The PCD is made up of a data block of four bytes (2 words) and contains:

- Control word and reference value (from master to slave)
- Status word and present output frequency (from slave to master).



Parameter block:

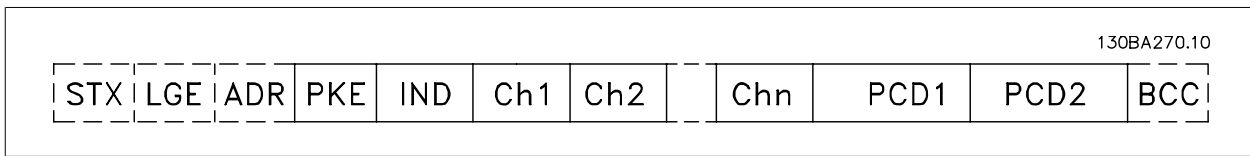
The parameter block is used to transfer parameters between master and slave. The data block is made up of 12 bytes (6 words) and also contains the process block.





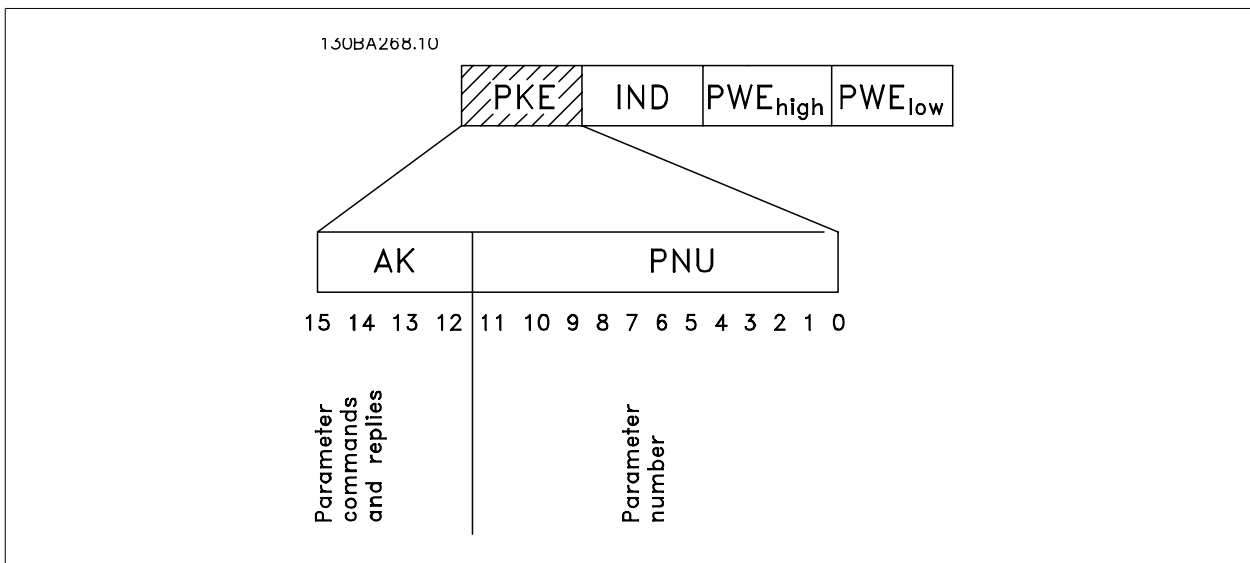
Text block:

The text block is used to read or write texts via the data block.



### 6.4.7 The PKE Field

The PKE field contains two sub-fields: Parameter command and response AK, and Parameter number PNU:



6

Bits no. 12-15 transfer parameter commands from master to slave and return processed slave responses to the master.

Parameter commands master ⇒ slave				
Bit no.	Parameter command			
15	14	13	12	
0	0	0	0	No command
0	0	0	1	Read parameter value
0	0	1	0	Write parameter value in RAM (word)
0	0	1	1	Write parameter value in RAM (double word)
1	1	0	1	Write parameter value in RAM and EEPROM (double word)
1	1	1	0	Write parameter value in RAM and EEPROM (word)
1	1	1	1	Read/write text

Response slave ⇒master				
Bit no.	Response			
15	14	13	12	
0	0	0	0	No response
0	0	0	1	Parameter value transferred (word)
0	0	1	0	Parameter value transferred (double word)
0	1	1	1	Command cannot be performed
1	1	1	1	text transferred



If the command cannot be performed, the slave sends this response:

0111 *Command cannot be performed*

- and issues the following fault report in the parameter value (PWE):

PWE low (Hex)	Fault Report
0	The parameter number used does not exist
1	There is no write access to the defined parameter
2	Data value exceeds the parameter's limits
3	The sub index used does not exist
4	The parameter is not the array type
5	The data type does not match the defined parameter
11	Data change in the defined parameter is not possible in the frequency converter's present mode. Certain parameters can only be changed when the motor is turned off
82	There is no bus access to the defined parameter
83	Data change is not possible because factory setup is selected

## 6

### 6.4.8 Parameter Number (PNU)

Bits no. 0-11 transfer parameter numbers. The function of the relevant parameter is defined in the parameter description in the chapter *How to Programme*.

### 6.4.9 Index (IND)

The index is used together with the parameter number to read/write-access parameters with an index, e.g. par. ID-30 *Alarm Log: Error Code*. The index consists of 2 bytes, a low byte and a high byte.

#### NB!

Only the low byte is used as an index.

### 6.4.10 Parameter Value (PWE)

The parameter value block consists of 2 words (4 bytes), and the value depends on the defined command (AK). The master prompts for a parameter value when the PWE block contains no value. To change a parameter value (write), write the new value in the PWE block and send from the master to the slave.

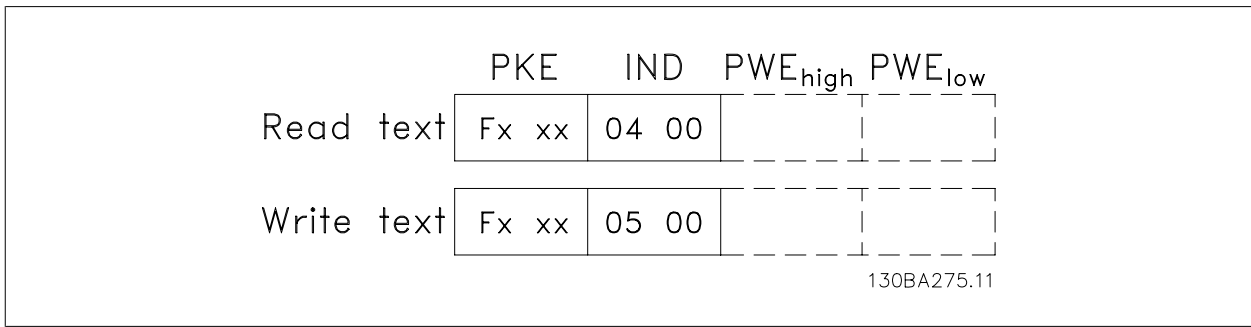
When a slave responds to a parameter request (read command), the present parameter value in the PWE block is transferred and returned to the master. If a parameter contains not a numerical value but several data options, e.g. par. K-01 *Language* where [0] corresponds to English, and [4] corresponds to Spanish, select the data value by entering the value in the PWE block. See Example - Selecting a data value. Serial communication is only capable of reading parameters containing data type 9 (text string).

par. ID-40 *Drive Type* to par. ID-53 *Power Card Serial Number* contain data type 9.

For example, read the unit size and mains voltage range in par. ID-40 *Drive Type*. When a text string is transferred (read), the length of the telegram is variable, and the texts are of different lengths. The telegram length is defined in the second byte of the telegram, LGE. When using text transfer the index character indicates whether it is a read or a write command.

To read a text via the PWE block, set the parameter command (AK) to 'F' Hex. The index character high-byte must be "4".

Some parameters contain text that can be written to via the serial bus. To write a text via the PWE block, set the parameter command (AK) to 'F' Hex. The index characters high-byte must be "5".



### 6.4.11 Data Types Supported by the Frequency Converter

Unsigned means that there is no operational sign in the telegram.

Data types	Description
3	Integer 16
4	Integer 32
5	Unsigned 8
6	Unsigned 16
7	Unsigned 32
9	Text string
10	Byte string
13	Time difference
33	Reserved
35	Bit sequence

### 6.4.12 Conversion

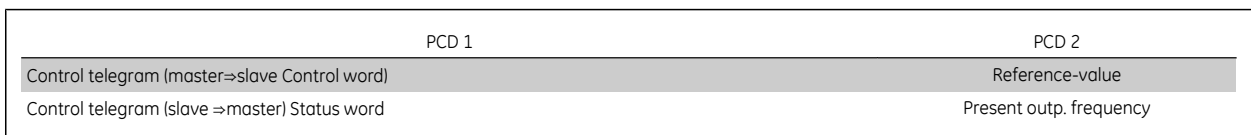
The various attributes of each parameter are displayed in the section Factory Settings. Parameter values are transferred as whole numbers only. Conversion factors are therefore used to transfer decimals.

par. F-16 *Motor Speed Low Limit [Hz]* has a conversion factor of 0.1. To preset the minimum frequency to 10 Hz, transfer the value 100. A conversion factor of 0.1 means that the value transferred is multiplied by 0.1. The value 100 is thus perceived as 10.0.

Conversion table	
Conversion index	Conversion factor
74	0.1
2	100
1	10
0	1
-1	0.1
-2	0.01
-3	0.001
-4	0.0001
-5	0.00001

### 6.4.13 Process Words (PCD)

The block of process words is divided into two blocks of 16 bits, which always occur in the defined sequence.





## 6.5 Examples

All parameters in the AF-600FP is named with one or two letters, a "-" and a number e.g. F-07. To access parameters the following table has to be used because letters cannot be addressed.

Example: F-07 = 7, E-01 = 101, DR-53 = 1253.

Letter	Number
F	0
E	1
C	2
P	3
H	4
K	5
AN	6
B	7
O	8
PB	9
SP	10
XC	11
DR	12
LG	13
CL	14
ID	15
AP	16
T	17
FB	18
PC	19
AO	20
BP	21
DN	22
PI	23
LC	24
EC	25
RS	26
BN	27
LN	28
EN	29



### 6.5.1 Writing a Parameter Value

Change par. F-15 *Motor Speed High Limit [Hz]* to 100 Hz.

Write the data in EEPROM.

PKE = E00F Hex - Write single word in par. F-15 *Motor Speed High Limit [Hz]*

IND = 0000 Hex

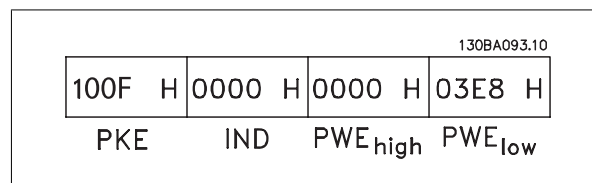
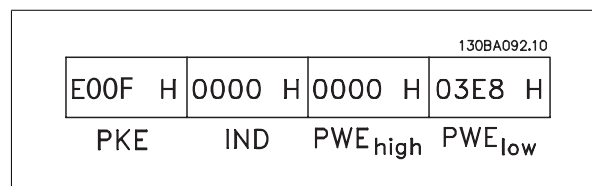
PWEHIGH = 0000 Hex

PWELOW = 03E8 Hex - Data value 1000, corresponding to 100 Hz, see Conversion.

The telegram will look like this:

Note: Par. F-15 *Motor Speed High Limit [Hz]* is a single word, and the parameter command for write in EEPROM is "E". Parameter number F-15 is 00F in hexadecimal.

The response from the slave to the master will be:



### 6.5.2 Reading a Parameter Value

Read the value in par. F-07 *Accel Time 1*

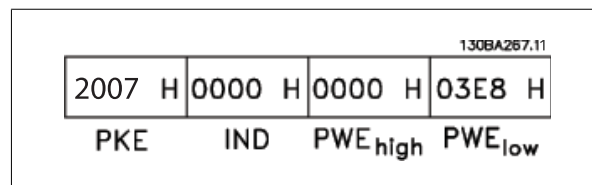
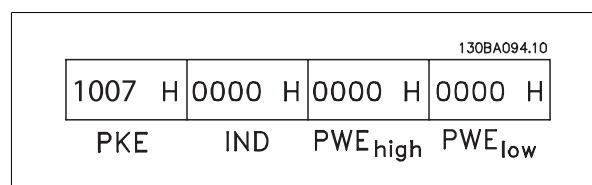
PKE = 1007 Hex - Read parameter value in par. F-07 *Accel Time 1*

IND = 0000 Hex

PWEHIGH = 0000 Hex

PWELOW = 0000 Hex

If the value in par. F-07 *Accel Time 1* is 10 s, the response from the slave to the master will be:



#### NB!

3E8 Hex corresponds to 1000 decimal. The conversion index for par. F-07 *Accel Time 1* is -2, i.e. 0.01.  
par. F-07 *Accel Time 1* is of the type *Unsigned 32*.





## 6.6 Modbus RTU Overview

### 6.6.1 Assumptions

These operating instructions assume that the installed controller supports the interfaces in this document and that all the requirements stipulated in the controller, as well as the frequency converter, are strictly observed, along with all limitations therein.

### 6.6.2 What the User Should Already Know

The Modbus RTU (Remote Terminal Unit) is designed to communicate with any controller that supports the interfaces defined in this document. It is assumed that the user has full knowledge of the capabilities and limitations of the controller.

### 6.6.3 Modbus RTU Overview

# 6

Regardless of the type of physical communication networks, the Modbus RTU Overview describes the process a controller uses to request access to another device. This includes i.a. how it will respond to requests from another device, and how errors will be detected and reported. It also establishes a common format for the layout and contents of message fields.

During communications over a Modbus RTU network, the protocol determines how each controller will learn its device address, recognise a message addressed to it, determine the kind of action to be taken, and extract any data or other information contained in the message. If a reply is required, the controller will construct the reply message and send it.

Controllers communicate using a master-slave technique in which only one device (the master) can initiate transactions (called queries). The other devices (slaves) respond by supplying the requested data to the master, or by taking the action requested in the query.

The master can address individual slaves, or can initiate a broadcast message to all slaves. Slaves return a message (called a response) to queries that are addressed to them individually. No responses are returned to broadcast queries from the master. The Modbus RTU protocol establishes the format for the master's query by placing into it the device (or broadcast) address, a function code defining the requested action, any data to be sent, and an error-checking field. The slave's response message is also constructed using Modbus protocol. It contains fields confirming the action taken, any data to be returned, and an error-checking field. If an error occurs in receipt of the message, or if the slave is unable to perform the requested action, the slave will construct an error message and send it in response, or a time-out will occur.

### 6.6.4 Frequency Converter with Modbus RTU

The frequency converter communicates in Modbus RTU format over the built-in RS-485 interface. Modbus RTU provides access to the Control Word and Bus Reference of the frequency converter.

The Control Word allows the Modbus master to control several important functions of the frequency converter:

- Start
- Stop of the frequency converter in various ways:
  - Coast stop
  - Quick stop
  - DC Brake stop
  - Normal (accel/decel) stop
- Reset after a fault trip
- Run at a variety of preset speeds
- Run in reverse
- Change the active set-up
- Control the frequency converter's built-in relay

The Bus Reference is commonly used for speed control. It is also possible to access the parameters, read their values, and where possible, write values to them. This permits a range of control options, including controlling the setpoint of the frequency converter when its internal PI controller is used.



## 6.7 Network Configuration

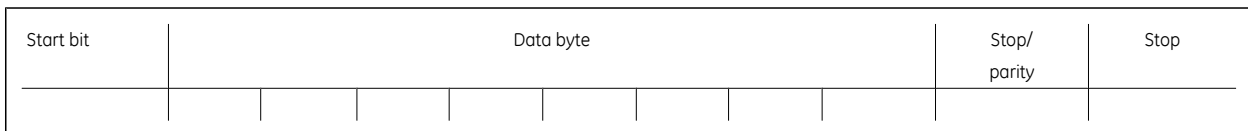
To enable Modbus RTU on the frequency converter, set the following parameters:

Parameter Number	Parameter name	Setting
O-30	Protocol	Modbus RTU
O-31	Address	1 - 247
O-32	Baud Rate	2400 - 115200
O-33	Parity/Stop bits	Even parity, 1 stop bit (default)

## 6.8 Modbus RTU Message Framing Structure

### 6.8.1 Frequency Converter with Modbus RTU

The controllers are set up to communicate on the Modbus network using RTU (Remote Terminal Unit) mode, with each byte in a message containing two 4-bit hexadecimal characters. The format for each byte is shown below.



Coding System	8-bit binary, hexadecimal 0-9, A-F. Two hexadecimal characters contained in each 8-bit field of the message
Bits Per Byte	1 start bit 8 data bits, least significant bit sent first 1 bit for even/odd parity; no bit for no parity 1 stop bit if parity is used; 2 bits if no parity
Error Check Field	Cyclical Redundancy Check (CRC)

### 6.8.2 Modbus RTU Message Structure

The transmitting device places a Modbus RTU message into a frame with a known beginning and ending point. This allows receiving devices to begin at the start of the message, read the address portion, determine which device is addressed (or all devices, if the message is broadcast), and to recognise when the message is completed. Partial messages are detected and errors set as a result. Characters for transmission must be in hexadecimal 00 to FF format in each field. The frequency converter continuously monitors the network bus, also during 'silent' intervals. When the first field (the address field) is received, each frequency converter or device decodes it to determine which device is being addressed. Modbus RTU messages addressed to zero are broadcast messages. No response is permitted for broadcast messages. A typical message frame is shown below.

#### Typical Modbus RTU Message Structure

Start	Address	Function	Data	CRC check	End
T1-T2-T3-T4	8 bits	8 bits	N x 8 bits	16 bits	T1-T2-T3-T4



### 6.8.3 Start / Stop Field

Messages start with a silent period of at least 3.5 character intervals. This is implemented as a multiple of character intervals at the selected network baud rate (shown as Start T1-T2-T3-T4). The first field to be transmitted is the device address. Following the last transmitted character, a similar period of at least 3.5 character intervals marks the end of the message. A new message can begin after this period. The entire message frame must be transmitted as a continuous stream. If a silent period of more than 1.5 character intervals occurs before completion of the frame, the receiving device flushes the incomplete message and assumes that the next byte will be the address field of a new message. Similarly, if a new message begins prior to 3.5 character intervals after a previous message, the receiving device will consider it a continuation of the previous message. This will cause a time-out (no response from the slave), since the value in the final CRC field will not be valid for the combined messages.

### 6.8.4 Address Field

The address field of a message frame contains 8 bits. Valid slave device addresses are in the range of 0 – 247 decimal. The individual slave devices are assigned addresses in the range of 1 – 247. (0 is reserved for broadcast mode, which all slaves recognize.) A master addresses a slave by placing the slave address in the address field of the message. When the slave sends its response, it places its own address in this address field to let the master know which slave is responding.

## 6

### 6.8.5 Function Field

The function field of a message frame contains 8 bits. Valid codes are in the range of 1-FF. Function fields are used to send messages between master and slave. When a message is sent from a master to a slave device, the function code field tells the slave what kind of action to perform. When the slave responds to the master, it uses the function code field to indicate either a normal (error-free) response, or that some kind of error occurred (called an exception response). For a normal response, the slave simply echoes the original function code. For an exception response, the slave returns a code that is equivalent to the original function code with its most significant bit set to logic 1. In addition, the slave places a unique code into the data field of the response message. This tells the master what kind of error occurred, or the reason for the exception. Please also refer to the sections *Function Codes Supported by Modbus RTU* and *Exception Codes*.

### 6.8.6 Data Field

The data field is constructed using sets of two hexadecimal digits, in the range of 00 to FF hexadecimal. These are made up of one RTU character. The data field of messages sent from a master to slave device contains additional information which the slave must use to take the action defined by the function code. This can include items such as coil or register addresses, the quantity of items to be handled, and the count of actual data bytes in the field.

### 6.8.7 CRC Check Field

Messages include an error-checking field, operating on the basis of a Cyclical Redundancy Check (CRC) method. The CRC field checks the contents of the entire message. It is applied regardless of any parity check method used for the individual characters of the message. The CRC value is calculated by the transmitting device, which appends the CRC as the last field in the message. The receiving device recalculates a CRC during receipt of the message and compares the calculated value to the actual value received in the CRC field. If the two values are unequal, a bus time-out results. The error-checking field contains a 16-bit binary value implemented as two 8-bit bytes. When this is done, the low-order byte of the field is appended first, followed by the high-order byte. The CRC high-order byte is the last byte sent in the message.

### 6.8.8 Coil Register Addressing

In Modbus, all data are organized in coils and holding registers. Coils hold a single bit, whereas holding registers hold a 2-byte word (i.e. 16 bits). All data addresses in Modbus messages are referenced to zero. The first occurrence of a data item is addressed as item number zero. For example: The coil known as 'coil 1' in a programmable controller is addressed as coil 0000 in the data address field of a Modbus message. Coil 127 decimal is addressed as coil 007EHEX (126 decimal). Holding register 40001 is addressed as register 0000 in the data address field of the message. The function code field already specifies a 'holding register' operation. Therefore, the '4XXXX' reference is implicit. Holding register 40108 is addressed as register 006BHEX (107 decimal).



Coil Number	Description	Signal Direction
1-16	Frequency converter control word (see table below)	Master to slave
17-32	Frequency converter speed or set-point reference Range 0x0 – 0xFFFF (-200% ... ~200%)	Master to slave
33-48	Frequency converter status word (see table below)	Slave to master
49-64	Open loop mode: Frequency converter output frequency Closed loop mode: Frequency converter feedback signal	Slave to master
65	Parameter write control (master to slave) 0 = Parameter changes are written to the RAM of the frequency converter 1 = Parameter changes are written to the RAM and EEPROM of the frequency converter.	Master to slave
66-65536	Reserved	

Coil	0	1
01	Preset reference LSB	
02	Preset reference MSB	
03	DC brake	No DC brake
04	Coast stop	No coast stop
05	Quick stop	No quick stop
06	Freeze freq.	No freeze freq.
07	Ramp stop	Start
08	No reset	Reset
09	No jog	Jog
10	Ramp 1	Ramp 2
11	Data not valid	Data valid
12	Relay 1 off	Relay 1 on
13	Relay 2 off	Relay 2 on
14	Set up LSB	
15	Set up MSB	
16	No reversing	Reversing
<b>Frequency converter control word (Drive profile)</b>		

Coil	0	1
33	Control not ready	Control ready
34	Frequency converter not ready	Frequency converter ready
35	Coasting stop	Safety closed
36	No alarm	Alarm
37	Not used	Not used
38	Not used	Not used
39	Not used	Not used
40	No warning	Warning
41	Not at reference	At reference
42	Hand mode	Auto mode
43	Out of freq. range	In frequency range
44	Stopped	Running
45	Not used	Not used
46	No voltage warning	Voltage warning
47	Not in current limit	Current limit
48	No thermal warning	Thermal warning
<b>Frequency converter status word (Drive profile)</b>		

Holding registers	
Register Number	Description
00001-00006	Reserved
00007	Last error code from an Drive data object interface
00008	Reserved
00009	Parameter index*
00010-00990	000 parameter group (parameters 001 through 099)
01000-01990	100 parameter group (parameters 100 through 199)
02000-02990	200 parameter group (parameters 200 through 299)
03000-03990	300 parameter group (parameters 300 through 399)
04000-04990	400 parameter group (parameters 400 through 499)
...	...
49000-49990	4900 parameter group (parameters 4900 through 4999)
50000	Input data: Frequency converter control word register (CTW).
50010	Input data: Bus reference register (REF).
...	...
50200	Output data: Frequency converter status word register (STW).
50210	Output data: Frequency converter main actual value register (MAV).

\* Used to specify the index number to be used when accessing an indexed parameter.



## 6.8.9 How to Control the Frequency Converter

This section describes codes which can be used in the function and data fields of a Modbus RTU message. For a complete description of all the message fields please refer to the section *Modbus RTU Message Framing Structure*.

## 6.8.10 Function Codes Supported by Modbus RTU

Modbus RTU supports use of the following function codes in the function field of a message:

Function	Function Code
Read coils	1 hex
Read holding registers	3 hex
Write single coil	5 hex
Write single register	6 hex
Write multiple coils	F hex
Write multiple registers	10 hex
Get comm. event counter	B hex
Report slave ID	11 hex

6

Function	Function Code	Sub-function code	Sub-function
Diagnostics	8	1	Restart communication
		2	Return diagnostic register
		10	Clear counters and diagnostic register
		11	Return bus message count
		12	Return bus communication error count
		13	Return bus exception error count
		14	Return slave message count

## 6.8.11 Modbus Exception Codes

For a full explanation of the structure of an exception code response, please refer to the section *Modbus RTU Message Framing Structure, Function Field*.

Modbus Exception Codes		
Code	Name	Meaning
1	Illegal function	The function code received in the query is not an allowable action for the server (or slave). This may be because the function code is only applicable to newer devices, and was not implemented in the unit selected. It could also indicate that the server (or slave) is in the wrong state to process a request of this type, for example because it is not configured and is being asked to return register values.
2	Illegal data address	The data address received in the query is not an allowable address for the server (or slave). More specifically, the combination of reference number and transfer length is invalid. For a controller with 100 registers, a request with offset 96 and length 4 would succeed, a request with offset 96 and length 5 will generate exception 02.
3	Illegal data value	A value contained in the query data field is not an allowable value for server (or slave). This indicates a fault in the structure of the remainder of a complex request, such as that the implied length is incorrect. It specifically does NOT mean that a data item submitted for storage in a register has a value outside the expectation of the application program, since the Modbus protocol is unaware of the significance of any particular value of any particular register.
4	Slave device failure	An unrecoverable error occurred while the server (or slave) was attempting to perform the requested action.



## 6.9 How to Access Parameters

### 6.9.1 Parameter Handling

The PNU (Parameter Number) is translated from the register address contained in the Modbus read or write message. The parameter number is translated to Modbus as (10 x parameter number) DECIMAL.

### 6.9.2 Storage of Data

The Coil 65 decimal determines whether data written to the frequency converter are stored in EEPROM and RAM (coil 65 = 1) or only in RAM (coil 65 = 0).

### 6.9.3 IND

The array index is set in Holding Register 9 and used when accessing array parameters.

### 6.9.4 Text Blocks

Parameters stored as text strings are accessed in the same way as the other parameters. The maximum text block size is 20 characters. If a read request for a parameter is for more characters than the parameter stores, the response is truncated. If the read request for a parameter is for fewer characters than the parameter stores, the response is space filled.

### 6.9.5 Conversion Factor

The different attributes for each parameter can be seen in the section on factory settings. Since a parameter value can only be transferred as a whole number, a conversion factor must be used to transfer decimals. Please refer to the *Parameters section*.

### 6.9.6 Parameter Values

#### Standard Data Types

Standard data types are int16, int32, uint8, uint16 and uint32. They are stored as 4x registers (40001 – 4FFFF). The parameters are read using function 03HEX "Read Holding Registers." Parameters are written using the function 6HEX "Preset Single Register" for 1 register (16 bits), and the function 10HEX "Preset Multiple Registers" for 2 registers (32 bits). Readable sizes range from 1 register (16 bits) up to 10 registers (20 characters).

#### Non standard Data Types

Non standard data types are text strings and are stored as 4x registers (40001 – 4FFFF). The parameters are read using function 03HEX "Read Holding Registers" and written using function 10HEX "Preset Multiple Registers." Readable sizes range from 1 register (2 characters) up to 10 registers (20 characters).



## 6.10 Examples

The following examples illustrate various Modbus RTU commands. If an error occurs, please refer to the Exception Codes section.

### 6.10.1 Read Coil Status (01 HEX)

#### Description

This function reads the ON/OFF status of discrete outputs (coils) in the frequency converter. Broadcast is never supported for reads.

#### Query

The query message specifies the starting coil and quantity of coils to be read. Coil addresses start at zero, i.e. coil 33 is addressed as 32.

Example of a request to read coils 33-48 (Status Word) from slave device 01:

Field Name	Example (HEX)
Slave Address	01 (frequency converter address)
Function	01 (read coils)
Starting Address HI	00
Starting Address LO	20 (32 decimals) Coil 33
No. of Points HI	00
No. of Points LO	10 (16 decimals)
Error Check (CRC)	-

#### Response

The coil status in the response message is packed as one coil per bit of the data field. Status is indicated as: 1 = ON; 0 = OFF. The LSB of the first data byte contains the coil addressed in the query. The other coils follow toward the high order end of this byte, and from 'low order to high order' in subsequent bytes.

If the returned coil quantity is not a multiple of eight, the remaining bits in the final data byte will be padded with zeros (toward the high order end of the byte).

The Byte Count field specifies the number of complete bytes of data.

Field Name	Example (HEX)
Slave Address	01 (frequency converter address)
Function	01 (read coils)
Byte Count	02 (2 bytes of data)
Data (Coils 40-33)	07
Data (Coils 48-41)	06 (STW=0607hex)
Error Check (CRC)	-

#### NB!

Coils and registers are addressed explicit with an off-set of -1 in Modbus.

I.e. Coil 33 is addressed as Coil 32.



## 6.10.2 Force/Write Single Coil (05 HEX)

### Description

This function forces a writes a coil to either ON or OFF. When broadcast the function forces the same coil references in all attached slaves.

### Query

The query message specifies the coil 65 (parameter write control) to be forced. Coil addresses start at zero, i.e. coil 65 is addressed as 64. Force Data = 00 00HEX (OFF) or FF 00HEX (ON).

Field Name	Example (HEX)
Slave Address	01 (frequency converter address)
Function	05 (write single coil)
Coil Address HI	00
Coil Address LO	40 (64 decimal) Coil 65
Force Data HI	FF
Force Data LO	00 (FF 00 = ON)
Error Check (CRC)	-

### Response

The normal response is an echo of the query, returned after the coil state has been forced.

Field Name	Example (HEX)
Slave Address	01
Function	05
Force Data HI	FF
Force Data LO	00
Quantity of Coils HI	00
Quantity of Coils LO	01
Error Check (CRC)	-





### 6.10.3 Force/Write Multiple Coils (0F HEX)

This function forces each coil in a sequence of coils to either ON or OFF. When broadcast the function forces the same coil references in all attached slaves. .

The **query** message specifies the coils 17 to 32 (speed set-point) to be forced.

Field Name	Example (HEX)
Slave Address	01 (frequency converter address)
Function	0F (write multiple coils)
Coil Address HI	00
Coil Address LO	10 (coil address 17)
Quantity of Coils HI	00
Quantity of Coils LO	10 (16 coils)
Byte Count	02
Force Data HI (Coils 8-1)	20
Force Data LO (Coils 10-9)	00 (ref. = 2000hex)
Error Check (CRC)	-

#### Response

The normal response returns the slave address, function code, starting address, and quantity of coils forced.

Field Name	Example (HEX)
Slave Address	01 (frequency converter address)
Function	0F (write multiple coils)
Coil Address HI	00
Coil Address LO	10 (coil address 17)
Quantity of Coils HI	00
Quantity of Coils LO	10 (16 coils)
Error Check (CRC)	-



## 6.10.4 Read Holding Registers (03 HEX)

### Description

This function reads the contents of holding registers in the slave.

### Query

The query message specifies the starting register and quantity of registers to be read. Register addresses start at zero, i.e. registers 1-4 are addressed as 0-3.

Example: Read par. F-53 *Maximum Reference*, register 00530.

Field Name	Example (HEX)
Slave Address	01
Function	03 (read holding registers)
Starting Address HI	02 (Register address 529)
Starting Address LO	11 (Register address 529)
No. of Points HI	00
No. of Points LO	02 - (Par. F-53 is 32 bits long, i.e. 2 registers)
Error Check (CRC)	-

**6**

### Response

The register data in the response message are packed as two bytes per register, with the binary contents right justified within each byte. For each register, the first byte contains the high order bits and the second contains the low order bits.

Field Name	Example (HEX)
Slave Address	01
Function	03
Byte Count	04
Data HI (Register 530)	00
Data LO (Register 530)	16
Data HI (Register 531)	E3
Data LO (Register 531)	60
Error Check (CRC)	-



### 6.10.5 Preset Single Register (06 HEX)

#### Description

This function presets a value into a single holding register.

#### Query

The query message specifies the register reference to be preset. Register addresses start at zero, i.e. register 1 is addressed as 0.

Example: Write to H-40, register 4400.

Field Name	Example (HEX)
Slave Address	01
Function	06
Register Address HI	11 (Register address 4399)
Register Address LO	2F (Register address 4399)
Preset Data HI	00
Preset Data LO	01
Error Check (CRC)	-

#### Response

Response The normal response is an echo of the query, returned after the register contents have been passed.

Field Name	Example (HEX)
Slave Address	01
Function	06
Register Address HI	11
Register Address LO	2F
Preset Data HI	00
Preset Data LO	01
Error Check (CRC)	-



## 6.10.6 Preset Multiple Registers (10 HEX)

### Description

This function presets values into a sequence of holding registers.

### Query

The query message specifies the register references to be preset. Register addresses start at zero, i.e. register 1 is addressed as 0. Example of a request to preset two registers (set parameter P-03 = 738 (7.38 A)):

Field Name	Example (HEX)
Slave Address	01
Function	10
Starting Address HI	0B
Starting Address LO	D5
No. of Registers HI	00
No. of registers LO	02
Byte Count	04
Write Data HI (Register 4: 3029)	00
Write Data LO (Register 4: 3029)	00
Write Data HI (Register 4: 3030)	02
Write Data LO (Register 4: 3030)	E2
Error Check (CRC)	-

### Response

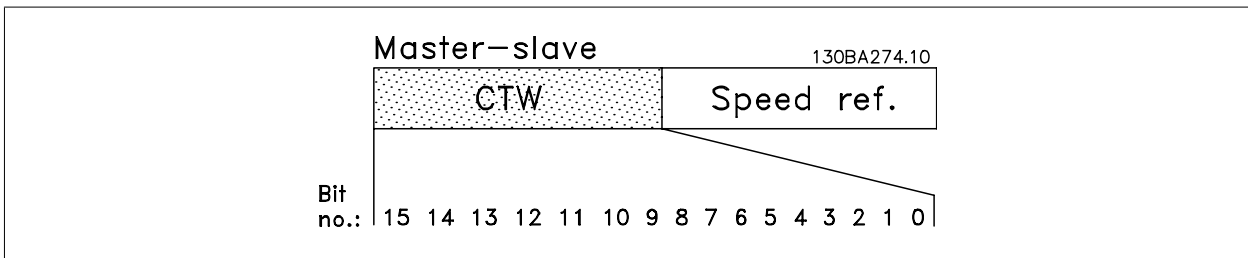
The normal response returns the slave address, function code, starting address, and quantity of registers preset.

Field Name	Example (HEX)
Slave Address	01
Function	10
Starting Address HI	0B
Starting Address LO	D5
No. of Registers HI	00
No. of registers LO	02
Error Check (CRC)	-



## 6.11 GE Drive Control Profile

### 6.11.1 Control Word According to Drive Profile(par. O-10 Control Word Profile = Drive profile)



6

Bit	Bit value = 0	Bit value = 1
00	Reference value	external selection lsb
01	Reference value	external selection msb
02	DC brake	Ramp
03	Coasting	No coasting
04	Quick stop	Ramp
05	Hold output frequency	use ramp
06	Ramp stop	Start
07	No function	Reset
08	No function	Jog
09	Ramp 1	Ramp 2
10	Data invalid	Data valid
11	No function	Relay 01 active
12	No function	Relay 02 active
13	Parameter set-up	selection lsb
14	Parameter set-up	selection msb
15	No function	Reverse

#### Explanation of the Control Bits

##### Bits 00/01

Bits 00 and 01 are used to choose between the four reference values, which are pre-programmed in par. C-05 *Multi-step Frequency 1 - 8* according to the following table:

Programmed ref. value	Par.	Bit 01	Bit 00
1	par. C-05 <i>Multi-step Frequency 1 - 8</i> [0]	0	0
2	par. C-05 <i>Multi-step Frequency 1 - 8</i> [1]	0	1
3	par. C-05 <i>Multi-step Frequency 1 - 8</i> [2]	1	0
4	par. C-05 <i>Multi-step Frequency 1 - 8</i> [3]	1	1

#### NB!

Make a selection in par. O-56 *Preset Reference Select* to define how Bit 00/01 gates with the corresponding function on the digital inputs.

##### Bit 02, DC brake:

Bit 02 = '0' leads to DC braking and stop. Set braking current and duration in par. B-01 *DC Brake Current* and par. B-02 *DC Braking Time*. Bit 02 = '1' leads to ramping.

**Bit 03, Coasting:**

Bit 03 = '0': The frequency converter immediately "lets go" of the motor, (the output transistors are "shut off") and it coasts to a standstill. Bit 03 = '1': The frequency converter starts the motor if the other starting conditions are met.

**NB!**

Make a selection in par. O-50 *Coasting Select* to define how Bit 03 gates with the corresponding function on a digital input.

**Bit 04, Quick stop:**

Bit 04 = '0': Makes the motor speed decel to stop (set in par. C-23 *Quick Stop Decel Time*).

**Bit 05, Hold output frequency**

Bit 05 = '0': The present output frequency (in Hz) freezes. Change the frozen output frequency only by means of the digital inputs (par. E-01 *Terminal 18 Digital Input* to par. E-06 *Terminal 33 Digital Input*) programmed to *Speed up* and *Slow down*.

**NB!**

If Freeze output is active, the frequency converter can only be stopped by the following:

- Bit 03 Coasting stop
- Bit 02 DC braking
- Digital input (par. E-01 *Terminal 18 Digital Input* to par. E-06 *Terminal 33 Digital Input*) programmed to *DC braking*, *Coasting stop*, or *Reset and coasting stop*.

**Bit 06, Ramp stop/start:**

Bit 06 = '0': Causes a stop and makes the motor speed decel to stop via the selected decel parameter. Bit 06 = '1': Permits the frequency converter to start the motor, if the other starting conditions are met.

**NB!**

Make a selection in par. O-53 *Start Select* to define how Bit 06 Ramp stop/start gates with the corresponding function on a digital input.

**Bit 07, Reset:** Bit 07 = '0': No reset. Bit 07 = '1': Resets a trip. Reset is activated on the signal's leading edge, i.e. when changing from logic '0' to logic '1'.

**Bit 08, Jog:**

Bit 08 = '1': The output frequency is determined by par. C-21 *Jog Speed [RPM]*.

**Bit 09, Selection of ramp 1/2:**

Bit 09 = "0": Ramp 1 is active (par. F-07 *Accel Time 1* to par. F-08 *Decel Time 1*). Bit 09 = "1": Ramp 2 (par. E-10 *Accel Time 2* to par. E-11 *Decel Time 2*) is active.

**Bit 10, Data not valid/Data valid:**

Tell the frequency converter whether to use or ignore the control word. Bit 10 = '0': The control word is ignored. Bit 10 = '1': The control word is used. This function is relevant because the telegram always contains the control word, regardless of the telegram type. Thus, you can turn off the control word if you do not want to use it when updating or reading parameters.

**Bit 11, Relay 01:**

Bit 11 = "0": Relay not activated. Bit 11 = "1": Relay 01 activated provided that *Control word bit 11* is chosen in par. E-24 *Function Relay*.

**Bit 12, Relay 04:**

Bit 12 = "0": Relay 04 is not activated. Bit 12 = "1": Relay 04 is activated provided that *Control word bit 12* is chosen in par. E-24 *Function Relay*.



**Bit 13/14, Selection of set-up:**

Use bits 13 and 14 to choose from the four menu set-ups according to the shown table: .

Set-up	Bit 14	Bit 13
1	0	0
2	0	1
3	1	0
4	1	1

The function is only possible when *Multi Set-Ups* is selected in par. K-10 *Active Set-up*.

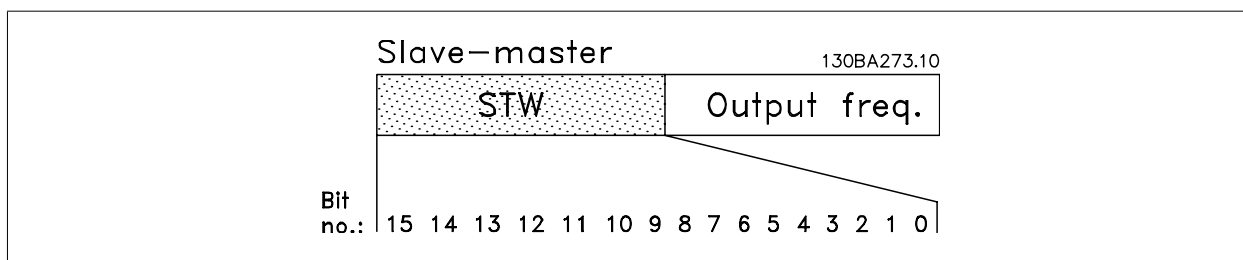
**NB!**  
Make a selection in par. O-55 *Set-up Select* to define how Bit 13/14 gates with the corresponding function on the digital inputs.

**Bit 15 Reverse:**

Bit 15 = '0': No reversing. Bit 15 = '1': Reversing. In the default setting, reversing is set to digital in par. O-54 *Reversing Select*. Bit 15 causes reversing only when Ser. communication, Logic or or Logic and is selected.

**6.11.2 Status Word According to Drive Profile (STW) (par. O-10 Control Word Profile = Drive profile)**

6



Bit	Bit = 0	Bit = 1
00	Control not ready	Control ready
01	Drive not ready	Drive ready
02	Coasting	Enable
03	No error	Trip
04	No error	Error (no trip)
05	Reserved	-
06	No error	Triplack
07	No warning	Warning
08	Speed ≠ reference	Speed = reference
09	Local operation	Bus control
10	Out of frequency limit	Frequency limit OK
11	No operation	In operation
12	Drive OK	Stopped, auto start
13	Voltage OK	Voltage exceeded
14	Torque OK	Torque exceeded
15	Timer OK	Timer exceeded

**Explanation of the Status Bits**

**Bit 00, Control not ready/ready:**

Bit 00 = '0': The frequency converter trips. Bit 00 = '1': The frequency converter controls are ready but the power component does not necessarily receive any power supply (in case of external 24 V supply to controls).

**Bit 01, Drive ready:**

Bit 01 = '1': The frequency converter is ready for operation but the coasting command is active via the digital inputs or via serial communication.

**Bit 02, Coasting stop:**

Bit 02 = '0': The frequency converter releases the motor. Bit 02 = '1': The frequency converter starts the motor with a start command.

**Bit 03, No error/trip:**

Bit 03 = '0': The frequency converter is not in fault mode. Bit 03 = '1': The frequency converter trips. To re-establish operation, enter [Reset].

Bit 04, No error/error (no trip):

Bit 04 = '0': The frequency converter is not in fault mode. Bit 04 = '1': The frequency converter shows an error but does not trip.

Bit 05, Not used:

Bit 05 is not used in the status word.

Bit 06, No error / tripplock:

Bit 06 = '0': The frequency converter is not in fault mode. Bit 06 = '1': The frequency converter is tripped and locked.

Bit 07, No warning/warning:

Bit 07 = '0': There are no warnings. Bit 07 = '1': A warning has occurred.

Bit 08, Speed≠ reference/speed = reference:

Bit 08 = '0': The motor is running but the present speed is different from the preset speed reference. It might e.g. be the case when the speed accels/decels during start/stop. Bit 08 = '1': The motor speed matches the preset speed reference.

Bit 09, Local operation/bus control:

Bit 09 = '0': [STOP/RESET] is activate on the control unit or *Local control* in par. F-02 *Operation Method* is selected. You cannot control the frequency converter via serial communication. Bit 09 = '1' It is possible to control the frequency converter via the network / serial communication.

Bit 10, Out of frequency limit:

Bit 10 = '0': The output frequency has reached the value in par. F-18 *Motor Speed Low Limit [RPM]* or par. F-17 *Motor Speed High Limit [RPM]*. Bit 10 = "1": The output frequency is within the defined limits.

Bit 11, No operation/in operation:

Bit 11 = '0': The motor is not running. Bit 11 = '1': The frequency converter has a start signal or the output frequency is greater than 0 Hz.

Bit 12, Drive OK/stopped, autostart:

Bit 12 = '0': There is no temporary over temperature on the inverter. Bit 12 = '1': The inverter stops because of over temperature but the unit does not trip and will resume operation once the over temperature stops.

Bit 13, Voltage OK/limit exceeded:

Bit 13 = '0': There are no voltage warnings. Bit 13 = '1': The DC voltage in the frequency converter's intermediate circuit is too low or too high.

Bit 14, Torque OK/limit exceeded:

Bit 14 = '0': The motor current is lower than the torque limit selected in par. F-43 *Current Limit*. Bit 14 = '1': The torque limit in par. F-43 *Current Limit* is exceeded.

Bit 15, Timer OK/limit exceeded:

Bit 15 = '0': The timers for motor thermal protection and thermal protection are not exceeded 100%. Bit 15 = '1': One of the timers exceeds 100%.

**NB!**

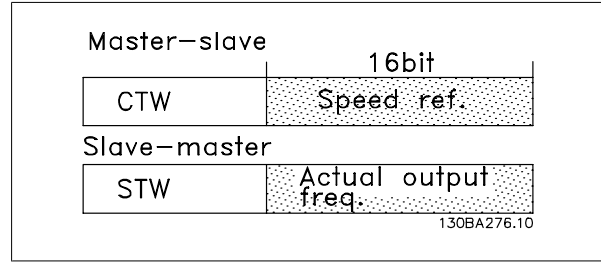
All bits in the STW are set to '0' if the connection between the Interbus option and the frequency converter is lost, or an internal communication problem has occurred.



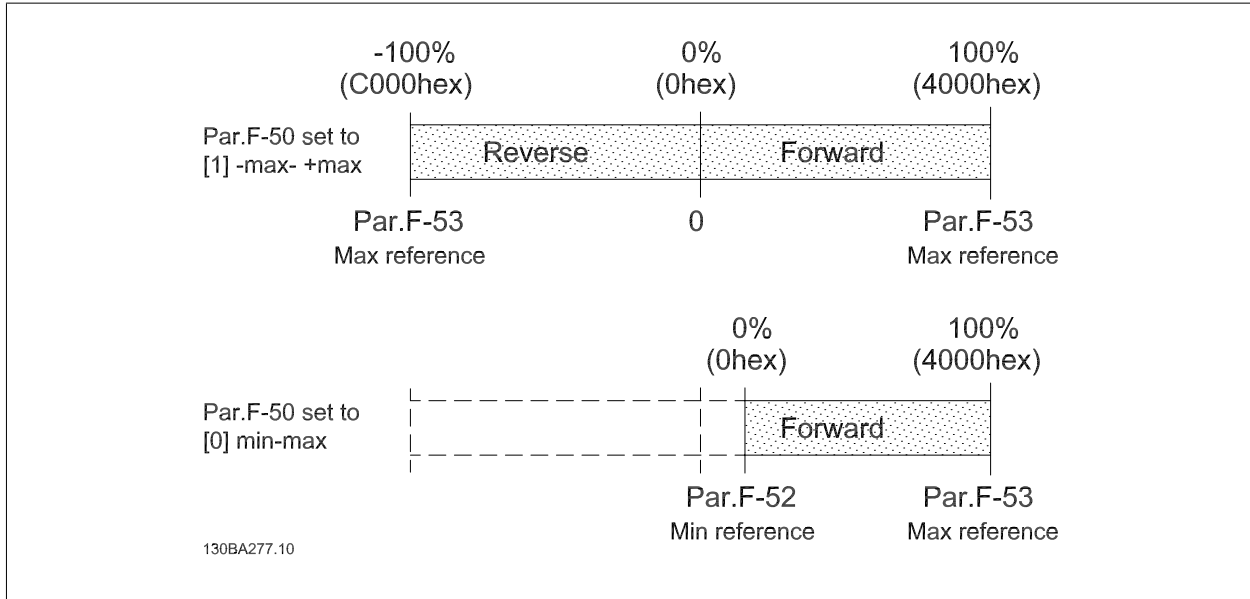


### 6.11.3 Bus Speed Reference Value

Speed reference value is transmitted to the frequency converter in a relative value in %. The value is transmitted in the form of a 16-bit word; in integers (0-32767) the value 16384 (4000 Hex) corresponds to 100%. Negative figures are formatted by means of 2's complement. The Actual Output frequency (MAV) is scaled in the same way as the bus reference.



The reference and MAV are scaled as follows:





## 7 General Specifications and Troubleshooting

### 7.1 Mains Supply Tables

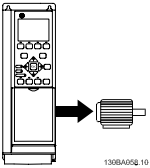
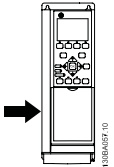
Mains supply 200 - 240 VAC						
Light duty (LD) 110% for 1 minute						
Typical Shaft Output [kW]		0.75	1.5	2.2	3.7	
IP 20 / Chassis		12	12	12	13	
IP 55 / NEMA 12		15	15	15	15	
Typical Shaft Output [HP] at 208 V		1.0	2.0	3.0	5.0	
Output current						
	Continuous (3 x 200-240 V) [A]	4.6	7.5	10.6	16.7	
	Intermittent (3 x 200-240 V) [A]	5.1	8.3	11.7	18.4	
	Continuous kVA (208 V AC) [kVA]	1.66	2.70	3.82	6.00	
	Max. cable size: (mains, motor) [mm <sup>2</sup> /AWG] <sup>2)</sup>	4/10				
	<b>Max. input current</b>					
	Continuous (3 x 200-240 V) [A]	4.1	6.8	9.5	15.0	
	Intermittent (3 x 200-240 V) [A]	4.5	7.5	10.5	16.5	
	Max. pre-fuses <sup>1)</sup> [A]	10	20	20	32	
	Environment					
	Estimated power loss at rated max. load [W] <sup>4)</sup>	54	82	116	185	
	Weight enclosure IP20 [kg]	4.9	4.9	4.9	6.6	
	Weight enclosure IP21 [kg]	5.5	5.5	5.5	7.5	
	Weight enclosure IP55 [kg]	13.5	13.5	13.5	13.5	
Weight enclosure IP 66 [kg]	13.5	13.5	13.5	13.5		
Efficiency <sup>3)</sup>	0.95	0.96	0.96	0.96		

Table 7.1: Mains Supply 3 x 200 - 240 VAC

**Mains supply 3 x 200 - 240 VAC - Light duty (LD) 110% for 1 minute**

IP 20 / Chassis	23	23	23	23	23	24	24	24	24	33	33	34	34	34
IP 55 / NEMA 12	21	21	21	21	21	22	31	31	31	31	31	32	32	32
Frequency converter Typical Shaft Output [kW]	5.5	7.5	11	15	18.5	22	30	30	30	37	45			
Typical Shaft Output [HP] at 208 V														
<b>Output current</b>														
Continuous (3 x 200-240 V) [A]	24.2	30.8	46.2	59.4	74.8	88.0	115	143	170					
Intermittent (3 x 200-240 V) [A]	26.6	33.9	50.8	65.3	82.3	96.8	127	157	187					
Continuous kVA (208 V AC) [kVA]	8.7	11.1	16.6	21.4	26.9	31.7	41.4	51.5	61.2					
Max. cable size: (mains, motor) [mm <sup>2</sup> /AWG] <sup>2)</sup>		10/7		35/2		50/1/0 (24=35/2)		95/4/0	120/250 MCM					
<b>Max. input current</b>														
Continuous (3 x 200-240 V) [A]	22.0	28.0	42.0	54.0	68.0	80.0	104.0	130.0	154.0					
Intermittent (3 x 200-240 V) [A]	24.2	30.8	46.2	59.4	74.8	88.0	114.0	143.0	169.0					
Max. pre-fuses <sup>1)</sup> [A]	63	63	63	80	125	125	160	200	250					
Environment: Estimated power loss at rated max. load [W] <sup>4)</sup>	269	310	447	602	737	845	1140	1353	1636					
Weight enclosure IP20 [kg]	12	12	12	23.5	23.5	35	35	50	50					
Weight enclosure IP55 [kg]	23	23	23	27	45	45	45	65	65					
Efficiency <sup>3)</sup>	0.96	0.96	0.96	0.96	0.96	0.97	0.97	0.97	0.97					

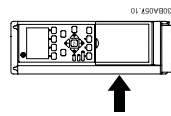
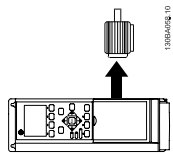


Table 7.2: Mains Supply 3 x 200 - 240 VAC



Mains Supply 3 x 380 - 480 VAC - Light duty (LD) 110% for 1 minute									
Typical Shaft Output [kW]	0.75	1.5	2.2	4	5.5	7.5			
Typical Shaft Output [HP] at 460 V	1	2	3	5	7.5	10			
IP 20 / Chassis	12	12	12	12	13	13			
IP 55 / NEMA 12	15	15	15	15	15	15			
<b>Output current</b>									
Continuous [3 x 380-440 V] [A]	2.4	4.1	5.6	10	13	16			
Intermittent [3 x 380-440 V] [A]	2.6	4.5	6.2	11	14.3	17.6			
Continuous [3 x 440-480 V] [A]	2.1	3.4	4.8	8.2	11	14.5			
Intermittent [3 x 440-480 V] [A]	2.3	3.7	5.3	9.0	12.1	15.4			
Continuous kVA 400 V AC [kVA]	1.7	2.8	3.9	6.9	9.0	11.0			
Continuous kVA (460 V AC) [kVA]	1.7	2.7	3.8	6.5	8.8	11.6			
Max. cable size: (mains, motor) [mm <sup>2</sup> / AWG] <sup>2)</sup>	4/10								
<b>Max. input current</b>									
Continuous [3 x 380-440 V] [A]	2.2	3.7	5.0	9.0	11.7	14.4			
Intermittent [3 x 380-440 V] [A]	2.4	4.1	5.5	9.9	12.9	15.8			
Continuous [3 x 440-480 V] [A]	1.9	3.1	4.3	7.4	9.9	13.0			
Intermittent [3 x 440-480 V] [A]	2.1	3.4	4.7	8.1	10.9	14.3			
Max. pre-fuses <sup>1)</sup> [A]	10	10	20	20	32	32			
Environment									
Estimated power loss at rated max. load [W] <sup>4)</sup>	46	62	88	124	187	255			
Weight enclosure IP20 [kg]	4.8	4.9	4.9	4.9	6.6	6.6			
Weight enclosure IP 55 [kg]	13.5	13.5	13.5	13.5	14.2	14.2			
Efficiency <sup>3)</sup>	0.96	0.97	0.97	0.97	0.97	0.97			

Table 7.3: Mains Supply 3 x 380 - 480 VAC

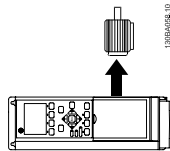


**Mains Supply 3 x 380 - 480 VAC - Light duty (LD) 110% for 1 minute**

Typical Shaft Output [kW]	11	15	18.5	22	30	37	45	55	75	90
Typical Shaft Output [HP] at 460 V	15	20	25	30	40	50	60	75	100	125
IP 20 / Chassis	23	23	23	24	24	24	33	33	34	34
IP 55 / NEMA 12	21	21	21	22	22	31	31	31	32	32

**Output current**

Continuous [3 x 380-439 V] [A]	24	32	37.5	44	61	73	90	106	147	177
Intermittent [3 x 380-439 V] [A]	26.4	35.2	41.3	48.4	67.1	80.3	99	117	162	195
Continuous [3 x 440-480 V] [A]	21	27	34	40	52	65	80	105	130	160
Intermittent [3 x 440-480 V] [A]	23.1	29.7	37.4	44	61.6	71.5	88	116	143	176
Continuous kVA (400 V AC) [kVA]	16.6	22.2	26	30.5	42.3	50.6	62.4	73.4	102	123
Continuous kVA 460 V AC [kVA]	16.7	21.5	27.1	31.9	41.4	51.8	63.7	83.7	104	128



10000008 10

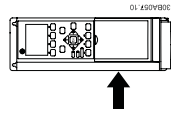
Max. cable size:

(mains, motor) [mm<sup>2</sup>/  
AWG] <sup>2)</sup>

	10/7	35/2	50/1/0 (24=35/2)	95/ 4/0	120/ MCM250
--	------	------	---------------------	------------	----------------

**Max. input current**

Continuous [3 x 380-439 V] [A]	22	29	34	40	55	66	82	96	133	161
Intermittent [3 x 380-439 V] [A]	24.2	31.9	37.4	44	60.5	72.6	90.2	106	146	177
Continuous [3 x 440-480 V] [A]	19	25	31	36	47	59	73	95	118	145
Intermittent [3 x 440-480 V] [A]	20.9	27.5	34.1	39.6	51.7	64.9	80.3	105	130	160
Max. pre-fuses <sup>1)</sup> [A]	63	63	63	63	80	100	125	160	250	250



10000008 10

Environment

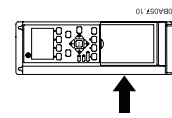
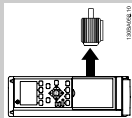
Estimated power loss  
at rated max. load [W] <sup>4)</sup>

	278	392	465	525	698	739	843	1083	1384	1474
Weight enclosure IP20 [kg]	12	12	12	23.5	23.5	23.5	35	35	50	50
Weight enclosure IP 55 [kg]	23	23	23	27	27	45	45	45	65	65
Efficiency <sup>3)</sup>	0.98	0.98	0.98	0.98	0.98	0.98	0.98	0.98	0.98	0.99

Table 7.4: Mains Supply 3 x 380 - 480 VAC

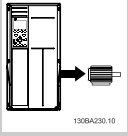
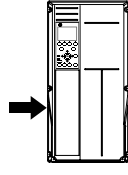


Mains supply 3 x 525 - 600 VAC Light duty (LD) 110% for 1 minute																	
Typical Shaft Output [kW]																	
Output current	0.75	1.5	2.2	4	5.5	7.5	11	15	18.5	22	30	37	45	55	75	90	
IP 20 / Chassis	12	12	12	12	13	13	23	23	23	24	24	24	33	33	34	34	
IP 55 / NEMA 12	15	15	15	15	15	15	21	21	21	22	22	22	31	31	32	32	
Continuous (3 x 525-550 V) [A]	2.6	2.9	4.1	6.4	9.5	11.5	19	23	28	36	43	54	65	87	105	137	
Intermittent (3 x 525-550 V) [A]	2.9	3.2	4.5	7.0	10.5	12.7	21	25	31	40	47	59	72	96	116	151	
Continuous (3 x 525-600 V) [A]	2.4	2.7	3.9	6.1	9.0	11.0	18	22	27	34	41	52	62	83	100	131	
Intermittent (3 x 525-600 V) [A]	2.6	3.0	4.3	6.7	9.9	12.1	20	24	30	37	45	57	68	91	110	144	
Continuous kVA (525 V AC) [kVA]	2.5	2.8	3.9	6.1	9.0	11.0	18.1	21.9	26.7	34.3	41	51.4	61.9	82.9	100	130.5	
Continuous kVA (575 V AC) [kVA]	2.4	2.7	3.9	6.1	9.0	11.0	17.9	21.9	26.9	33.9	40.8	51.8	61.7	82.7	99.6	130.5	
Max. cable size, IP 55 (mains, motor) [mm <sup>2</sup> ]/[AWG] <sup>2)</sup>			4/ 10			10/ 7			50/ 1/0			120/ MCM250			95/ 4/0		
Max. cable size, IP 20 (mains, motor) [mm <sup>2</sup> ]/[AWG] <sup>2)</sup>			4/ 10			16/ 6			50/ 1/0			150/ MCM250			95/ 4/0		
<b>Max. input current</b>																	
Continuous (3 x 525-600 V) [A]	2.4	2.7	4.1	5.8	8.6	10.4	17.2	20.9	25.4	32.7	39	49	59	78.9	95.3	124.3	
Intermittent (3 x 525-600 V) [A]	2.7	3.0	4.5	6.4	9.5	11.5	19	23	28	36	43	54	65	87	105	137	
Max. pre-fuses <sup>1)</sup> [A]	10	10	20	20	32	32	63	63	63	63	80	100	125	160	250	250	
Environment:																	
Estimated power loss at rated max. load [W] <sup>4)</sup>	50	65	92	145	195	261	300	400	475	525	700	750	850	1100	1400	1500	
Weight enclosure IP20 [kg]	6.5	6.5	6.5	6.5	6.6	6.6	12	12	12	23.5	23.5	23.5	35	35	50	50	
Weight enclosure IP55 [kg]	13.5	13.5	13.5	13.5	14.2	14.2	23	23	23	27	27	27	45	45	65	65	
Efficiency <sup>4)</sup>	0.97	0.97	0.97	0.97	0.97	0.97	0.98	0.98	0.98	0.98	0.98	0.98	0.98	0.98	0.98	0.98	





7.1.1 Mains Supply High Power

Mains Supply 3 x 380 - 480 VAC						
	Typical Shaft output at 400 V [kW]	110	132	160	200	250
	Typical Shaft output at 460 V [HP]	150	200	250	300	350
	Unit Size IP21	41	41	42	42	42
	Unit Size IP54	41	41	42	42	42
	Unit Size IP00	43	43	44	44	44
	<b>Output current</b>					
 <p>130BA230.10</p>	Continuous (at 400 V) [A]	212	260	315	395	480
	Intermittent (60 sec overload) (at 400 V) [A]	233	286	347	435	528
	Continuous (at 460 V) [A]	190	240	302	361	443
	Intermittent (60 sec overload) (at 460 V) [A]	209	264	332	397	487
	Continuous KVA (at 400 V) [KVA]	147	180	218	274	333
	Continuous KVA (at 460 V) [KVA]	151	191	241	288	353
	<b>Max. input current</b>					
 <p>130BA229.10</p>	Continuous (at 400 V) [A]	204	251	304	381	463
	Continuous (at 460 V) [A]	183	231	291	348	427
	Max. cable size, mains motor and load share [mm <sup>2</sup> (AWG <sup>2</sup> )]	2 x 70 (2 x 2/0)	2 x 70 (2 x 2/0)	2 x 185 (2 x 350 mcm)	2 x 185 (2 x 350 mcm)	2 x 185 (2 x 350 mcm)
	Max. external pre-fuses [A] <sup>1</sup>	300	350	400	500	600
	Estimated power loss at rated max. load [W] <sup>4)</sup>	3234	3782	4213	5119	5893
	Weight, Unit Size IP21, IP 54 [kg]	96	104	125	136	151
	Weight, Unit Size IP00 [kg]	82	91	112	123	138
	Efficiency <sup>4)</sup>	0.98				
	Output frequency	0 - 800 Hz				
	Heatsink overtemp. trip	85 °C	90 °C	105 °C	105 °C	115 °C
	Power card ambient trip	60 °C				

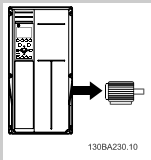
7



**Mains Supply 3 x 380 - 480 VAC**

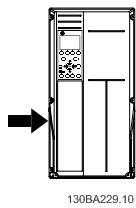
Typical Shaft output at 400 V [kW]	315	355	400	450
Typical Shaft output at 460 V [HP]	450	500	600	600
Unit Size IP21	51	51	51	51
Unit Size IP54	51	51	51	51
Unit Size IP00	52	52	52	52

**Output current**



Continuous (at 400 V) [A]	600	658	745	800
Intermittent (60 sec over-load) (at 400 V) [A]	660	724	820	880
Continuous (at 460 V) [A]	540	590	678	730
Intermittent (60 sec over-load) (at 460 V) [A]	594	649	746	803
Continuous KVA (at 400 V) [KVA]	416	456	516	554
Continuous KVA (at 460 V) [KVA]	430	470	540	582

**Max. input current**



Continuous (at 400 V) [A]	590	647	733	787
Continuous (at 460 V) [A]	531	580	667	718

Max. cable size, mains, motor and load share [mm <sup>2</sup> (AWG <sup>2</sup> )]	4x240 (4x500 mcm)	4x240 (4x500 mcm)	4x240 (4x500 mcm)	4x240 (4x500 mcm)
--	-------------------	-------------------	-------------------	-------------------

Max. external pre-fuses [A] <sup>1</sup>	700	900	900	900
--	-----	-----	-----	-----

Estimated power loss at rated max. load [W] <sup>4)</sup>	7630	7701	8879	9428
---	------	------	------	------

Weight, Unit Size IP21, IP 54 [kg]	263	270	272	313
------------------------------------	-----	-----	-----	-----

Weight, Unit Size IP00 [kg]	221	234	236	277
-----------------------------	-----	-----	-----	-----

Efficiency <sup>4)</sup>	0.98			
--------------------------	------	--	--	--

Output frequency	0 - 600 Hz			
------------------	------------	--	--	--

Heatsink overtemp. trip	95 °C			
-------------------------	-------	--	--	--

Power card ambient trip	68 °C			
-------------------------	-------	--	--	--

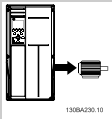




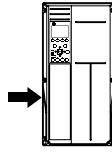
**Mains Supply 3 x 380 - 480 VAC**

Typical Shaft output at 400 V [kW]	500	560	630	710	800	1000
Typical Shaft output at 460 V [HP]	650	750	900	1000	1200	1350
Unit Size IP21, 54 without/ with options cabinet	61/63	61/63	61/63	61/63	62/64	62/64

**Output current**

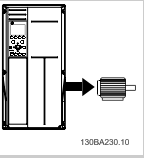
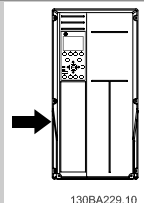
 <p>130BA230.10</p>	Continuous (at 400 V) [A]	880	990	1120	1260	1460	1720
	Intermittent (60 sec overload) (at 400 V) [A]	968	1089	1232	1386	1606	1892
	Continuous (at 460 V) [A]	780	890	1050	1160	1380	1530
	Intermittent (60 sec overload) (at 460 V) [A]	858	979	1155	1276	1518	1683
	Continuous KVA (at 400 V) [KVA]	610	686	776	873	1012	1192
	Continuous KVA (at 460 V) [KVA]	621	709	837	924	1100	1219

**Max. input current**

 <p>130BA229.10</p>	Continuous (at 400 V) [A]	857	964	1090	1227	1422	1675
	Continuous (at 460 V) [A]	759	867	1022	1129	1344	1490
	Max. cable size, motor [mm <sup>2</sup> (AWG <sup>2</sup> )]	8x150 (8x300 mcm)			12x150 (12x300 mcm)		
	Max. cable size, mains [mm <sup>2</sup> (AWG <sup>2</sup> )]	8x240 (8x500 mcm)					
Max. cable size, load-sharing [mm <sup>2</sup> (AWG <sup>2</sup> )]	4x120 (4x250 mcm)						
Max. external pre-fuses [A] <sup>1</sup>	1600		2000		2500		
Estimated power loss at rated max. load [W] <sup>4)</sup>							
Weight, Unit Size IP21, IP 54 [kg]	1004/ 1299	1004/ 1299	1004/ 1299	1004/ 1299	1246/ 1541	1246/ 1541	
Weight Rectifier Module [kg]	102	102	102	102	136	136	
Weight Inverter Module [kg]	102	102	102	136	102	102	
Efficiency <sup>4)</sup>	0.98						
Output frequency	0-600 Hz						
Heatsink overtemp. trip	95 °C						
Power card ambient trip	68 °C						

7



Mains Supply 3 x 525- 690 VAC						
	Typical Shaft output at 550 V [kW]	110	132	160	200	
	Typical Shaft output at 575 V [HP]	150	200	250	300	
	Unit Size IP21	41	41	42	42	
	Unit Size IP54	41	41	42	42	
	Unit Size IP00	43	43	44	44	
Output current						
 <p>130BA230.10</p>	Continuous (at 550 V) [A]	162	201	253	303	
	Intermittent (60 sec over-load) (at 550 V) [A]	178	221	278	333	
	Continuous (at 575/690 V) [A]	155	192	242	290	
	Intermittent (60 sec over-load) (at 575/690 V) [A]	171	211	266	319	
	Continuous KVA (at 550 V) [KVA]	154	191	241	289	
	Continuous KVA (at 575 V) [KVA]	154	191	241	289	
	Continuous KVA (at 690 V) [KVA]	185	229	289	347	
	Max. input current					
	 <p>130BA229.10</p>	Continuous (at 550 V) [A]	158	198	245	299
		Continuous (at 575 V) [A]	151	189	234	286
Continuous (at 690 V) [A]		155	197	240	296	
	Max. cable size, mains motor, load share and brake [mm <sup>2</sup> (AWG)]	2 x 70 (2 x 2/0)	2 x 70 (2 x 2/0)	2 x 185 (2 x 350 mcm)	2 x 185 (2 x 350 mcm)	
	Max. external pre-fuses [A] <sup>1</sup>	315	350	350	400	
	Estimated power loss at rated max. load [W] <sup>4)</sup>	3114	3612	4292	5156	
	Weight, Unit Size IP21, IP 54 [kg]	96	104	125	136	
	Weight, Unit Size IP00 [kg]	82	91	112	123	
	Efficiency <sup>4)</sup>	0.98				
	Output frequency	0 - 600 Hz				
	Heatsink overtemp. trip	85 °C	90 °C	110 °C	110 °C	
	Power card ambient trip	60 °C				

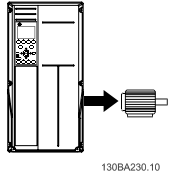
7



**Mains Supply 3 x 525 - 690 VAC**

Typical Shaft output at 550 V [kW]	250	315	355
Typical Shaft output at 575 V [HP]	350	400	450
Typical Shaft output at 690 V [kW]	315	400	450
Unit Size IP21	42	42	51
Unit Size IP54	42	42	51
Unit Size IP00	44	44	52

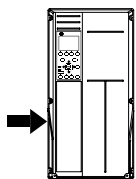
**Output current**



130BA230.10

Continuous (at 550 V) [A]	360	418	470
Intermittent (60 sec overload) (at 550 V) [A]	396	460	517
Continuous (at 575/690 V) [A]	344	400	450
Intermittent (60 sec overload) (at 575/690 V) [A]	378	440	495
Continuous KVA (at 550 V) [KVA]	343	398	448
Continuous KVA (at 575 V) [KVA]	343	398	448
Continuous KVA (at 690 V) [KVA]	411	478	538

**Max. input current**



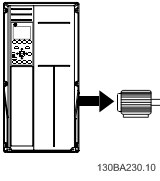
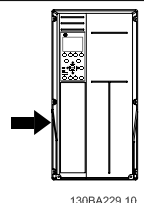
130BA229.10

Continuous (at 550 V) [A]	355	408	453
Continuous (at 575 V) [A]	339	390	434
Continuous (at 690 V) [A]	352	400	434

Max. cable size, mains, motor and load share [mm <sup>2</sup> (AWG)]	2 x 185 (2 x 350 mcm)	2 x 185 (2 x 350 mcm)	4 x 240 (4 x 500 mcm)
Max. external pre-fuses [A] <sup>1</sup>	500	550	700
Estimated power loss at rated max. load [W] <sup>4)</sup>	5821	6149	6449
Weight, Unit Size IP21, IP 54 [kg]	151	165	263
Weight, Unit Size IP00 [kg]	138	151	221
Efficiency <sup>4)</sup>		0.98	
Output frequency	0 - 600 Hz	0 - 500 Hz	0 - 500 Hz
Heatsink overtemp. trip	110 °C	110 °C	85 °C
Power card ambient trip	60 °C	60 °C	68 °C

7

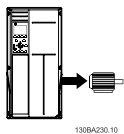


Mains Supply 3 x 525 - 690 VAC					
	Typical Shaft output at 550 V [kW]	400	450	500	
	Typical Shaft output at 575 V [HP]	500	600	650	
	Typical Shaft output at 690 V [HP]	500	560	630	
	Unit Size IP21	51	51	51	
	Unit Size IP54	51	51	51	
	Unit Size IP00	52	52	52	
Output current					
 <p>130BA230.10</p>	Continuous (at 550 V) [A]	523	596	630	
	Intermittent (60 sec overload) (at 550 V) [A]	575	656	693	
	Continuous (at 575/690 V) [A]	500	570	630	
	Intermittent (60 sec overload) (at 575/690 V) [A]	550	627	693	
	Continuous KVA (at 550 V) [KVA]	498	568	600	
	Continuous KVA (at 575 V) [KVA]	498	568	627	
	Continuous KVA (at 690 V) [KVA]	598	681	753	
	Max. input current				
	 <p>130BA229.10</p>	Continuous (at 550 V) [A]	504	574	607
		Continuous (at 575 V) [A]	482	549	607
Continuous (at 690 V) [A]		482	549	607	
	Max. cable size, mains, motor and load share [mm <sup>2</sup> (AWG)]	4x240 (4x500 mcm)	4x240 (4x500 mcm)	4x240 (4x500 mcm)	
	Max. external pre-fuses [A] <sup>1</sup>	700	900	900	
	Estimated power loss at rated max. load [W] <sup>4)</sup>	7249	8727	9673	
	Weight, Unit Size IP21, IP 54 [kg]	263	272	313	
	Weight, Unit Size IP00 [kg]	221	236	277	
	Efficiency <sup>4)</sup>		0.98		
	Output frequency		0 - 500 Hz		
	Heatsink overtemp. trip		85 °C		
	Power card ambient trip		68 °C		



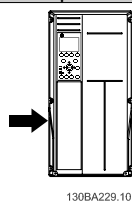
**Mains Supply 3 x 525 - 690 VAC**

Typical Shaft output at 550 V [kW]	560	670	750	850	1000
Typical Shaft output at 575 V [HP]	750	950	1050	1150	1350
Typical Shaft output at 690 V [HP]	710	800	900	1000	1200
Unit Size IP21, 54 without/ with options cabinet	61/ 63	61/ 63	61/ 63	62/ 64	62/ 64
<b>Output current</b>					
Continuous (at 550 V) [A]	763	889	988	1108	1317
Intermittent (60 sec overload) (at 550 V) [A]	839	978	1087	1219	1449
Continuous (at 575/690 V) [A]	730	850	945	1060	1260
Intermittent (60 sec overload) (at 575/690 V) [A]	803	935	1040	1166	1386
Continuous KVA (at 550 V) [KVA]	727	847	941	1056	1255
Continuous KVA (at 575 V) [KVA]	727	847	941	1056	1255
Continuous KVA (at 690 V) [KVA]	872	1016	1129	1267	1506



**Max. input current**

Continuous (at 550 V) [A]	743	866	962	1079	1282
Continuous (at 575 V) [A]	711	828	920	1032	1227
Continuous (at 690 V) [A]	711	828	920	1032	1227
Max. cable size, motor [mm <sup>2</sup> (AWG <sup>2</sup> )]	8x150 (8x300 mcm)		12x150 (12x300 mcm)		
Max. cable size, mains [mm <sup>2</sup> (AWG <sup>2</sup> )]	8x240 (8x500 mcm)				
Max. cable size, load-sharing [mm <sup>2</sup> (AWG <sup>2</sup> )]	4x120 (4x250 mcm)				
Max. external pre-fuses [A] <sup>1</sup>	1600			2000	
Estimated power loss at rated max. load [W] <sup>4</sup>					
Weight, Unit Size IP21, IP 54 [kg]	1004/ 1299	1004/ 1299	1004/ 1299	1246/ 1541	1246/ 1541
Weight, Rectifier Module [kg]	102	102	102	136	136
Weight, Inverter Module [kg]	102	102	136	102	102
Efficiency <sup>4</sup>	0.98				
Output frequency	0-500 Hz				
Heatsink overtemp. trip	85 °C				
Power card ambient trip	68 °C				



7

1) For type of fuse see section *Fuses*.

2) American Wire Gauge.

3) Measured using 5 m screened motor cables at rated load and rated frequency.

4) The typical power loss is at nominal load conditions and expected to be within +/-15% (tolerance relates to variety in voltage and cable conditions). Values are based on a typical motor efficiency (eff2/eff3 border line). Motors with lower efficiency will also add to the power loss in the frequency converter and opposite. If the switching frequency is increased to the default setting, the power losses may rise significantly. keypad and typical control card power consumptions are included. Further options and customer load may add up to 30W to the losses. (Though typical only 4W extra for a fully loaded control card, or options for slot A or slot B, each).

Although measurements are made with state of the art equipment, some measurement inaccuracy must be allowed for (+/-5%).



## 7.2 General Specifications

### Mains supply (L1, L2, L3):

Supply voltage	200-240 V $\pm 10\%$ , 380-480 V $\pm 10\%$ , , 525-600 V $\pm 10\%$ , 525-690 V $\pm 10\%$
----------------	---

#### Mains voltage low / mains drop-out:

During low mains voltage or a mains drop-out, the drive continues until the intermediate circuit voltage drops below the minimum stop level, which corresponds typically to 15% below the drive's lowest rated supply voltage. Power-up and full torque cannot be expected at mains voltage lower than 10% below the drive's lowest rated supply voltage.

Supply frequency	50/60 Hz $\pm 5\%$
Max. imbalance temporary between mains phases	3.0 % of rated supply voltage
True Power Factor (I)	$\geq 0.9$ nominal at rated load
Displacement Power Factor (cos) near unity	(> 0.98)
Switching on input supply L1, L2, L3 (power-ups) $\leq$ unit size 1x	maximum twice/min.
Switching on input supply L1, L2, L3 (power-ups) $\geq$ unit sizes 2x, 3x	maximum once/min.
Switching on input supply L1, L2, L3 (power-ups) $\geq$ unit sizes 4x, 5x, 6x	maximum once/2 min.
Environment according to EN60664-1	overvoltage category III / pollution degree 2

The unit is suitable for use on a circuit capable of delivering not more than 100.000 RMS symmetrical Amperes, 480/600 V maximum.

### Motor output (U, V, W):

Output voltage	0 - 100% of supply voltage
Output frequency	0 - 1000 Hz*
Switching on output	Unlimited
Accel/Decel Times	1 - 3600 sec.

\* Dependent on power size.

### Torque characteristics:

Starting torque (Constant torque)	maximum 110% for 1 min.*
Starting torque	maximum 135% up to 0.5 sec.*
Overload torque (Constant torque)	maximum 110% for 1 min.*

\*Percentage relates to the frequency converter's nominal torque.

### Cable lengths and cross sections:

Max. motor cable length, screened/armoured	150 m
Max. motor cable length, unscreened/unarmoured	300 m
Max. cross section to motor, mains and load sharing*	
Maximum cross section to control terminals, rigid wire	1.5 mm <sup>2</sup> /16 AWG (2 x 0.75 mm <sup>2</sup> )
Maximum cross section to control terminals, flexible cable	1 mm <sup>2</sup> /18 AWG
Maximum cross section to control terminals, cable with enclosed core	0.5 mm <sup>2</sup> /20 AWG
Minimum cross section to control terminals	0.25 mm <sup>2</sup>

\* See Mains Supply tables for more information!

### Digital inputs:

Programmable digital inputs	4 (6)
Terminal number	18, 19, 27 <sup>1)</sup> , 29, 32, 33,
Logic	PNP or NPN
Voltage level	0 - 24 V DC
Voltage level, logic '0' PNP	< 5 V DC
Voltage level, logic '1' PNP	> 10 V DC
Voltage level, logic '0' NPN	> 19 V DC
Voltage level, logic '1' NPN	< 14 V DC
Maximum voltage on input	28 V DC
Input resistance, R <sub>i</sub>	approx. 4 k $\Omega$

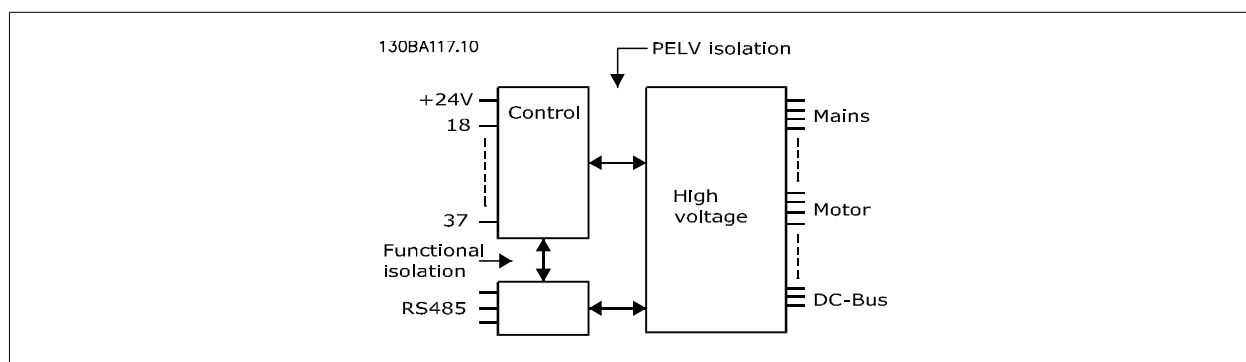
All digital inputs are galvanically isolated from the supply voltage (PELV) and other high-voltage terminals.

1) Terminals 27 and 29 can also be programmed as output.

## Analog inputs:

Number of analog inputs	2
Terminal number	53, 54
Modes	Voltage or current
Mode select	Switch S201 and switch S202
Voltage mode	Switch S201/switch S202 = OFF (U)
Voltage level	: 0 to + 10 V (scaleable)
Input resistance, $R_i$	approx. 10 k $\Omega$
Max. voltage	$\pm 20$ V
Current mode	Switch S201/switch S202 = ON (I)
Current level	0/4 to 20 mA (scaleable)
Input resistance, $R_i$	approx. 200 $\Omega$
Max. current	30 mA
Resolution for analog inputs	10 bit (+ sign)
Accuracy of analog inputs	Max. error 0.5% of full scale
Bandwidth	: 200 Hz

The analog inputs are galvanically isolated from the supply voltage (PELV) and other high-voltage terminals.



7

## Pulse inputs:

Programmable pulse inputs	2
Terminal number pulse	29, 33
Max. frequency at terminal, 29, 33	110 kHz (Push-pull driven)
Max. frequency at terminal, 29, 33	5 kHz (open collector)
Min. frequency at terminal, 29, 33	4 Hz
Voltage level	see section on Digital input
Maximum voltage on input	28 V DC
Input resistance, $R_i$	approx. 4 k $\Omega$
Pulse input accuracy (0.1 - 1 kHz)	Max. error: 0.1% of full scale

## Analog output:

Number of programmable analog outputs	1
Terminal number	42
Current range at analog output	0/4 - 20 mA
Max. resistor load to common at analog output	500 $\Omega$
Accuracy on analog output	Max. error: 0.8 % of full scale
Resolution on analog output	8 bit

The analog output is galvanically isolated from the supply voltage (PELV) and other high-voltage terminals.

## Control card, RS-485 serial communication:

Terminal number	68 (P,TX+, RX+), 69 (N,TX-, RX-)
Terminal number 61	Common for terminals 68 and 69

The RS-485 serial communication circuit is functionally seated from other central circuits and galvanically isolated from the supply voltage (PELV).



## Digital output:

Programmable digital/pulse outputs	2
Terminal number	27, 29 <sup>1)</sup>
Voltage level at digital/frequency output	0 - 24 V
Max. output current (sink or source)	40 mA
Max. load at frequency output	1 kΩ
Max. capacitive load at frequency output	10 nF
Minimum output frequency at frequency output	0 Hz
Maximum output frequency at frequency output	32 kHz
Accuracy of frequency output	Max. error: 0.1 % of full scale
Resolution of frequency outputs	12 bit

1) Terminal 27 and 29 can also be programmed as input.

The digital output is galvanically isolated from the supply voltage (PELV) and other high-voltage terminals.

## Control card, 24 V DC output:

Terminal number	12, 13
Max. load	: 200 mA

The 24 V DC supply is galvanically isolated from the supply voltage (PELV), but has the same potential as the analog and digital inputs and outputs.

## Relay outputs:

Programmable relay outputs	2
<b>Relay 01 Terminal number</b>	1-3 (break), 1-2 (make)
Max. terminal load (AC-1) <sup>1)</sup> on 1-3 (NC), 1-2 (NO) (Resistive load)	240 V AC, 2 A
Max. terminal load (AC-15) <sup>1)</sup> (Inductive load @ cosφ 0.4)	240 V AC, 0.2 A
Max. terminal load (DC-1) <sup>1)</sup> on 1-2 (NO), 1-3 (NC) (Resistive load)	60 V DC, 1A
Max. terminal load (DC-13) <sup>1)</sup> (Inductive load)	24 V DC, 0.1A
<b>Relay 02 Terminal number</b>	4-6 (break), 4-5 (make)
Max. terminal load (AC-1) <sup>1)</sup> on 4-5 (NO) (Resistive load) <sup>2)3)</sup>	400 V AC, 2 A
Max. terminal load (AC-15) <sup>1)</sup> on 4-5 (NO) (Inductive load @ cosφ 0.4)	240 V AC, 0.2 A
Max. terminal load (DC-1) <sup>1)</sup> on 4-5 (NO) (Resistive load)	80 V DC, 2 A
Max. terminal load (DC-13) <sup>1)</sup> on 4-5 (NO) (Inductive load)	24 V DC, 0.1A
Max. terminal load (AC-1) <sup>1)</sup> on 4-6 (NC) (Resistive load)	240 V AC, 2 A
Max. terminal load (AC-15) <sup>1)</sup> on 4-6 (NC) (Inductive load @ cosφ 0.4)	240 V AC, 0.2A
Max. terminal load (DC-1) <sup>1)</sup> on 4-6 (NC) (Resistive load)	50 V DC, 2 A
Max. terminal load (DC-13) <sup>1)</sup> on 4-6 (NC) (Inductive load)	24 V DC, 0.1 A
Min. terminal load on 1-3 (NC), 1-2 (NO), 4-6 (NC), 4-5 (NO)	24 V DC 10 mA, 24 V AC 20 mA
Environment according to EN 60664-1	overvoltage category III/pollution degree 2

1) IEC 60947 t 4 and 5

The relay contacts are galvanically isolated from the rest of the circuit by reinforced isolation (PELV).

2) Overvoltage Category II

3) UL applications 300 V AC 2A

## Control card, 10 V DC output:

Terminal number	50
Output voltage	10.5 V ±0.5 V
Max. load	25 mA

The 10 V DC supply is galvanically isolated from the supply voltage (PELV) and other high-voltage terminals.

## Control characteristics:

Resolution of output frequency at 0 - 1000 Hz	: +/- 0.003 Hz
System response time (terminals 18, 19, 27, 29, 32, 33)	: ≤ 2 ms
Speed control range (open loop)	1:100 of synchronous speed
Speed accuracy (open loop)	30 - 4000 rpm: Maximum error of ±8 rpm

All control characteristics are based on a 4-pole asynchronous motor





## Surroundings:

Unit Size 1x types	IP 20/Chassis, IP 21kit/Type 1, IP55/Type12
Unit Size 21 and 22 types	IP55/Type12
Unit Size 23 and 24 types	IP20/Chassis
Unit Size 31 and 32 types	IP55/Type 12
Unit Size 33 and 34 types	IP20/Chassis
Unit Size 41, 42, and 51 types	IP21/Type 1, IP54/Type12
Unit Size 43, 44, and 52 types	IP00/Chassis
Unit Size 61/63	IP21, 54/Type1, 12
Unit Size 62/64	IP21, 54/Type1, 12
IP21/Nema 1 kit for all unit sizes 1x, 2x, and 3x	IP21/NEMA 1/on top of enclosure
Vibration test unit size 1x, 2x, 3x	1.0 g
Vibration test unit size 4x, 5x, 6x	0.7 g
Relative humidity	5% - 95% (IEC 721-3-3; Class 3K3 (non-condensing) during operation
Aggressive environment (IEC 60068-2-43) H <sub>2</sub> S test	class Kd
Test method according to IEC 60068-2-43 H <sub>2</sub> S (10 days)	
Ambient temperature (at 60 AVM switching mode)	
- with derating	max. 50 ° C <sup>1)</sup>
- with full output power of typical EFF2 motors (up to 90% output current)	max. 50 ° C <sup>1)</sup>
- at full continuous Drive output current	max. 45 ° C <sup>1)</sup>

<sup>1)</sup> For more information on derating see the AF-600 FP Design Guide, section on Special Conditions.

Minimum ambient temperature during full-scale operation	0 °C
Minimum ambient temperature at reduced performance	- 10 °C
Temperature during storage/transport	-25 - +65/70 °C
Maximum altitude above sea level without derating	1000 m
Maximum altitude above sea level with derating	3000 m

Derating for high altitude, see section on special conditions

EMC standards, Emission	EN 61800-3, EN 61000-6-3/4, EN 55011, IEC 61800-3 EN 61800-3, EN 61000-6-1/2,
EMC standards, Immunity	EN 61000-4-2, EN 61000-4-3, EN 61000-4-4, EN 61000-4-5, EN 61000-4-6

See section on special conditions!

## Control card performance:

Scan interval	: 5 ms
Control card, USB serial communication:	
USB standard	1.1 (Full speed)
USB plug	USB type B "device" plug



Connection to PC is carried out via a standard host/device USB cable.

The USB connection is galvanically isolated from the supply voltage (PELV) and other high-voltage terminals.

The USB connection is not galvanically isolated from protection earth. Use only isolated laptop/PC as connection to the USB connector on frequency converter or an isolated USB cable/converter.

## Protection and Features:

- Electronic thermal overload motor protection against overload.
- Temperature monitoring of the heatsink ensures that the frequency converter trips if the temperature reaches 95 °C ± 5°C. An overload temperature cannot be reset until the temperature of the heatsink is below 70 °C ± 5°C (Guideline - these temperatures may vary for different power sizes, enclosures etc.). The frequency converter has an auto derating function to avoid it's heatsink reaching 95 deg C.
- The frequency converter is protected against short-circuits on motor terminals U, V, W.
- If a mains phase is missing, the frequency converter trips or issues a warning (depending on the load).
- Monitoring of the intermediate circuit voltage ensures that the frequency converter trips if the intermediate circuit voltage is too low or too high.
- The frequency converter is protected against earth faults on motor terminals U, V, W.



## 7.3 Efficiency

### Efficiency of the frequency converter ( $\eta_{\text{DRIVE}}$ )

The load on the frequency converter has little effect on its efficiency. In general, the efficiency is the same at the rated motor frequency  $f_{M,N}$ , even if the motor supplies 100% of the rated shaft torque or only 75%, i.e. in case of part loads.

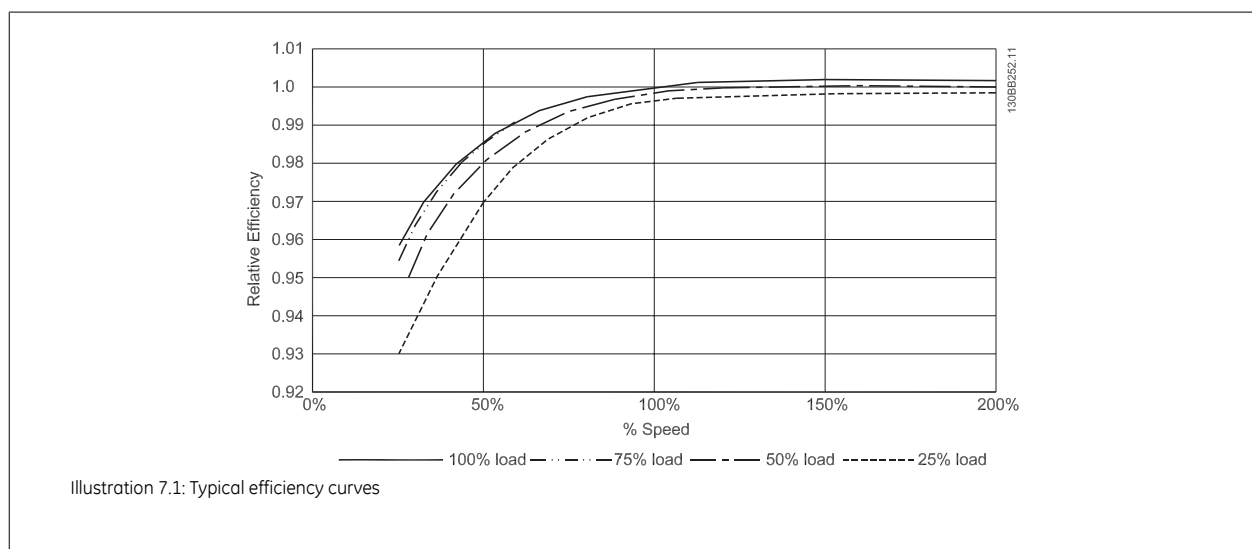
This also means that the efficiency of the frequency converter does not change even if other U/f characteristics are chosen.

However, the U/f characteristics influence the efficiency of the motor.

The efficiency declines a little when the switching frequency is set to a value of above 5 kHz. The efficiency will also be slightly reduced if the mains voltage is 480 V, or if the motor cable is longer than 30 m.

### Frequency converter efficiency calculation

Calculate the efficiency of the frequency converter at different loads based on the graph below. The factor in this graph must be multiplied with the specific efficiency factor listed in the specification tables:



The above example shows the efficiency of a 55 kW, 380-480 VAC frequency converter at 25% load at 25 Hz. The graph is showing 0.97 - rated efficiency for a 55 kW AF-600 FP is 0.98. The actual efficiency is then:  $0.97 \times 0.98 = 0.95$ .

### Efficiency of the motor ( $\eta_{\text{MOTOR}}$ )

The efficiency of a motor connected to the frequency converter depends on magnetizing level. In general, the efficiency is just as good as with mains operation. The efficiency of the motor depends on the type of motor.

In the range of 75-100% of the rated torque, the efficiency of the motor is practically constant, both when it is controlled by the frequency converter and when it runs directly on mains.

In small motors, the influence from the U/f characteristic on efficiency is marginal. However, in motors from 11 kW and up, the advantages are significant.

In general, the switching frequency does not affect the efficiency of small motors. Motors from 11 kW and up have their efficiency improved (1-2%). This is because the sine shape of the motor current is almost perfect at high switching frequency.

### Efficiency of the system ( $\eta_{\text{SYSTEM}}$ )

To calculate the system efficiency, the efficiency of the frequency converter ( $\eta_{\text{DRIVE}}$ ) is multiplied by the efficiency of the motor ( $\eta_{\text{MOTOR}}$ ):

$$\eta_{\text{SYSTEM}} = \eta_{\text{DRIVE}} \times \eta_{\text{MOTOR}}$$



## 7.4 Acoustic Noise

The acoustic noise from the frequency converter comes from three sources:

1. DC intermediate circuit coils.
2. Integral fan.
3. RFI filter choke.

The typical values measured at a distance of 1 m from the unit:

Unit size	At reduced fan speed (50%) [dBA] ***	Full fan speed [dBA]
12	51	60
13	51	60
15	54	63
21	61	67
22	58	70
23	59.4	70.5
24	53	62.8
31	52	62
32	55	65
33	56.4	67.3
34	-	-
41/43	74	76
42/44	73	74
51/52*	73	74
51/52**	82	83
61/62/63/64	78	80

\* 315 kW, 380-480 VAC and 450-500 kW, 525-690 VAC only!  
 \*\* Remaining 51/52 unit sizes.  
 \*\*\* For 4x, 5x and 6x sizes, reduced fan speed is at 87%, measured at 200 V.

7

## 7.5 Peak Voltage on Motor

When a transistor in the inverter bridge switches, the voltage across the motor increases by a  $du/dt$  ratio depending on:

- the motor cable (type, cross-section, length screened or unscreened)
- inductance

The natural induction causes an overshoot  $U_{PEAK}$  in the motor voltage before it stabilizes itself at a level depending on the voltage in the intermediate circuit. The rise time and the peak voltage  $U_{PEAK}$  affect the service life of the motor. If the peak voltage is too high, especially motors without phase coil insulation are affected.

If the motor cable is short (a few metres), the rise time and peak voltage are lower.

If the motor cable is long (100 m), the rise time and peak voltage increases.

In motors without phase insulation paper or other insulation reinforcement suitable for operation with voltage supply (such as a frequency converter), fit a sine-wave filter on the output of the frequency converter.

To obtain approximate values for cable lengths and voltages not mentioned below, use the following rules of thumb:

1. Rise time increases/decreases proportionally with cable length.

2.  $U_{PEAK} = \text{DC link voltage} \times 1.9$   
(DC link voltage = Mains voltage  $\times 1.35$ ).

3. 
$$dU \Big| dt = \frac{0.8 \times U_{PEAK}}{\text{Risetime}}$$

Data are measured according to IEC 60034-17.

Cable lengths are in metres.

**Frequency Converter, 7.5 HP, 200-240 V**

Cable length [m]	Mains voltage [V]	Rise time [ $\mu$ sec]	Vpeak [kV]	dU/dt [kV/ $\mu$ sec]
36	240	0.226	0.616	2.142
50	240	0.262	0.626	1.908
100	240	0.650	0.614	0.757
150	240	0.745	0.612	0.655

**Frequency Converter, 10 HP, 200-240 V**

Cable length [m]	Mains voltage [V]	Rise time [ $\mu$ sec]	Vpeak [kV]	dU/dt [kV/ $\mu$ sec]
5	230	0.13	0.510	3.090
50	230	0.23	0.590	2.034
100	230	0.54	0.580	0.865
150	230	0.66	0.560	0.674

**Frequency Converter, 15 HP, 200-240 V**

Cable length [m]	Mains voltage [V]	Rise time [ $\mu$ sec]	Vpeak [kV]	dU/dt [kV/ $\mu$ sec]
36	240	0.264	0.624	1.894
136	240	0.536	0.596	0.896
150	240	0.568	0.568	0.806

**Frequency Converter, 20 HP, 200-240 V**

Cable length [m]	Mains voltage [V]	Rise time [ $\mu$ sec]	Vpeak [kV]	dU/dt [kV/ $\mu$ sec]
30	240	0.556	0.650	0.935
100	240	0.592	0.594	0.807
150	240	0.708	0.575	0.669

**Frequency Converter, 25 HP, 200-240 V**

Cable length [m]	Mains voltage [V]	Rise time [ $\mu$ sec]	Vpeak [kV]	dU/dt [kV/ $\mu$ sec]
36	240	0.244	0.608	1.993
136	240	0.568	0.580	0.832
150	240	0.720	0.574	0.661

**Frequency Converter, 30 HP, 200-240 V**

Cable length [m]	Mains voltage [V]	Rise time [ $\mu$ sec]	Vpeak [kV]	dU/dt [kV/ $\mu$ sec]
36	240	0.244	0.608	1.993
136	240	0.560	0.580	0.832
150	240	0.720	0.574	0.661

**Frequency Converter, 40 HP, 200-240 V**

Cable length [m]	Mains voltage [V]	Rise time [ $\mu$ sec]	Vpeak [kV]	dU/dt [kV/ $\mu$ sec]
15	240	0.194	0.626	2.581
50	240	0.252	0.574	1.929
150	240	0.444	0.538	0.977

**Frequency Converter, 50 HP, 200-240 V**

Cable length [m]	Mains voltage [V]	Rise time [ $\mu$ sec]	Vpeak [kV]	dU/dt [kV/ $\mu$ sec]
30	240	0.300	0.598	1.593
100	240	0.536	0.566	0.843
150	240	0.776	0.546	0.559

**Frequency Converter, 60 HP, 200-240 V**

Cable length [m]	Mains voltage [V]	Rise time [ $\mu$ sec]	Vpeak [kV]	dU/dt [kV/ $\mu$ sec]
30	240	0.300	0.598	1.593
100	240	0.536	0.566	0.843
150	240	0.776	0.546	0.559

**Frequency Converter, 2 HP, 380-480 V**

Cable length [m]	Mains voltage [V]	Rise time [ $\mu$ sec]	Vpeak [kV]	dU/dt [kV/ $\mu$ sec]
5	400	0.640	0.690	0.862
50	400	0.470	0.985	0.985
150	400	0.760	1.045	0.947

**Frequency Converter, 5 HP, 380-480 V**

Cable length [m]	Mains voltage [V]	Rise time [ $\mu$ sec]	Vpeak [kV]	dU/dt [kV/ $\mu$ sec]
5	400	0.172	0.890	4.156
50	400	0.310		2.564
150	400	0.370	1.190	1.770

**Frequency Converter, 10 HP, 380-480 V**

Cable length [m]	Mains voltage [V]	Rise time [ $\mu$ sec]	Vpeak [kV]	dU/dt [kV/ $\mu$ sec]
5	400	0.04755	0.739	8.035
50	400	0.207	1.040	4.548
150	400	0.6742	1.030	2.828

**Frequency Converter, 15 HP, 380-480 V**

Cable length [m]	Mains voltage [V]	Rise time [ $\mu$ sec]	Vpeak [kV]	dU/dt [kV/ $\mu$ sec]
15	400	0.408	0.718	1.402
100	400	0.364	1.050	2.376
150	400	0.400	0.980	2.000

**Frequency Converter, 20 HP, 380-480 V**

Cable length [m]	Mains voltage [V]	Rise time [ $\mu$ sec]	Vpeak [kV]	dU/dt [kV/ $\mu$ sec]
36	400	0.422	1.060	2.014
100	400	0.464	0.900	1.616
150	400	0.896	1.000	0.915

**Frequency Converter, 25 HP, 380-480 V**

Cable length [m]	Mains voltage [V]	Rise time [ $\mu$ sec]	Vpeak [kV]	dU/dt [kV/ $\mu$ sec]
36	400	0.344	1.040	2.442
100	400	1.000	1.190	0.950
150	400	1.400	1.040	0.596

**Frequency Converter, 30 HP, 380-480 V**

Cable length [m]	Mains voltage [V]	Rise time [ $\mu$ sec]	Vpeak [kV]	dU/dt [kV/ $\mu$ sec]
36	400	0.232	0.950	3.534
100	400	0.410	0.980	1.927
150	400	0.430	0.970	1.860

**Frequency Converter, 40 HP, 380-480 V**

Cable length [m]	Mains voltage [V]	Rise time [ $\mu$ sec]	Vpeak [kV]	dU/dt [kV/ $\mu$ sec]
15	400	0.271	1.000	3.100
100	400	0.440	1.000	1.818
150	400	0.520	0.990	1.510

**Frequency Converter, 50 HP, 380-480 V**

Cable length [m]	Mains voltage	Rise time [ $\mu$ sec]	Vpeak [kV]	dU/dt [kV/ $\mu$ sec]
5	480	0.270	1.276	3.781
50	480	0.435	1.184	2.177
100	480	0.840	1.188	1.131
150	480	0.940	1.212	1.031

**Frequency Converter, 60 HP, 380-480 V**

Cable length [m]	Mains voltage [V]	Rise time [ $\mu$ sec]	Vpeak [kV]	dU/dt [kV/ $\mu$ sec]
36	400	0.254	1.056	3.326
50	400	0.465	1.048	1.803
100	400	0.815	1.032	1.013
150	400	0.890	1.016	0.913

**Frequency Converter, 75 HP, 380-480 V**

Cable length [m]	Mains voltage [V]	Rise time [ $\mu$ sec]	Vpeak [kV]	dU/dt [kV/ $\mu$ sec]
10	400	0.350	0.932	2.130

**Frequency Converter, 100 HP, 380-480 V**

Cable length [m]	Mains voltage [V]	Rise time [ $\mu$ sec]	Vpeak [kV]	dU/dt [kV/ $\mu$ sec]
5	480	0.371	1.170	2.466

**Frequency Converter, 125 HP, 380-480 V**

Cable length [m]	Mains voltage [V]	Rise time [ $\mu$ sec]	Vpeak [kV]	dU/dt [kV/ $\mu$ sec]
5	400	0.364	1.030	2.264



High Power Range:

Frequency Converter, 150-350 HP, 380-480 V				
Cable length [m]	Mains voltage [V]	Rise time [ $\mu$ sec]	Vpeak [kV]	dU/dt [kV/ $\mu$ sec]
30	400	0.34	1.040	2.447

Frequency Converter, 450-1350 HP, 380-480 V				
Cable length [m]	Mains voltage [V]	Rise time [ $\mu$ sec]	Vpeak [kV]	dU/dt [kV/ $\mu$ sec]
30	500	0.71	1.165	1.389
30	400	0.61	0.942	1.233
30	500 <sup>1</sup>	0.80	0.906	0.904
30	400 <sup>1</sup>	0.82	0.760	0.743

Table 7.5: 1: With GE dU/dt filter.

7

Frequency Converter, 150-400 HP, 525-690 V				
Cable length [m]	Mains voltage [V]	Rise time [ $\mu$ sec]	Vpeak [kV]	dU/dt [kV/ $\mu$ sec]
30	690	0.38	1.513	3.304
30	575	0.23	1.313	2.750
30	690 <sup>1)</sup>	1.72	1.329	0.640

1) With GE dU/dt filter.

Frequency Converter, 450-1350 HP, 525-690 V				
Cable length [m]	Mains voltage [V]	Rise time [ $\mu$ sec]	Vpeak [kV]	dU/dt [kV/ $\mu$ sec]
30	690	0.57	1.611	2.261
30	575	0.25	1.313	2.510
30	690 <sup>1)</sup>	1.13	1.629	1.150

1) With GE dU/dt filter.



## 7.6 Special Conditions

### 7.6.1 Purpose of Derating

Derating must be taken into account when using the frequency converter at low air pressure (heights), at low speeds, with long motor cables, cables with a large cross section or at high ambient temperature. The required action is described in this section.

### 7.6.2 Derating for Ambient Temperature

90% frequency converter output current can be maintained up to max. 50 °C ambient temperature.

With a typical full load current of EFF 2 motors, full output shaft power can be maintained up to 50 °C. For more specific data and/or derating information for other motors or conditions, please contact GE.

### 7.6.3 Automatic Adaptations to Ensure Performance

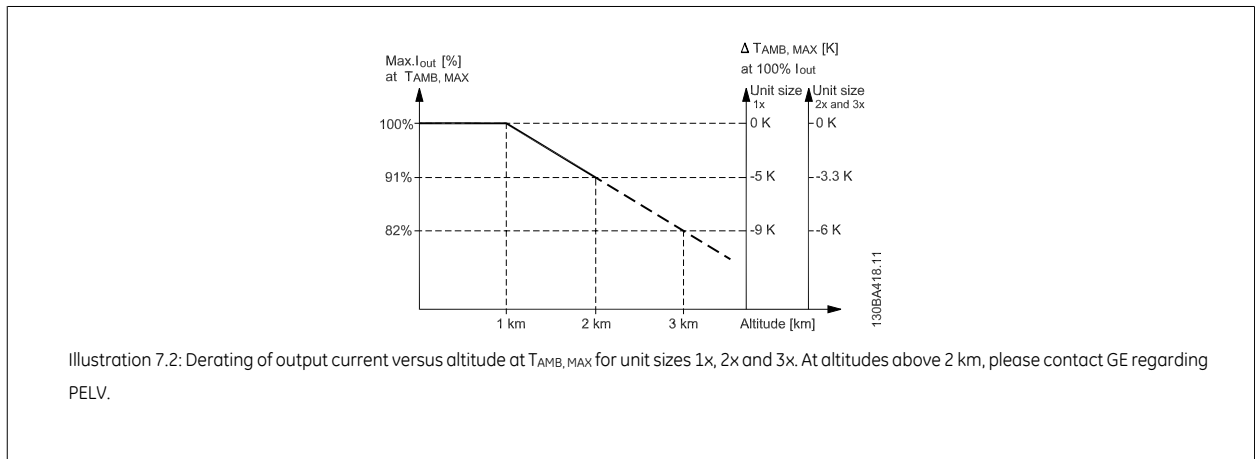
The frequency converter constantly checks for critical levels of internal temperature, load current, high voltage on the intermediate circuit and low motor speeds. As a response to a critical level, the frequency converter can adjust the switching frequency and / or change the switching pattern in order to ensure the performance of the frequency converter. The capability to automatically reduce the output current extends the acceptable operating conditions even further.



### 7.6.4 Derating for Low Air Pressure

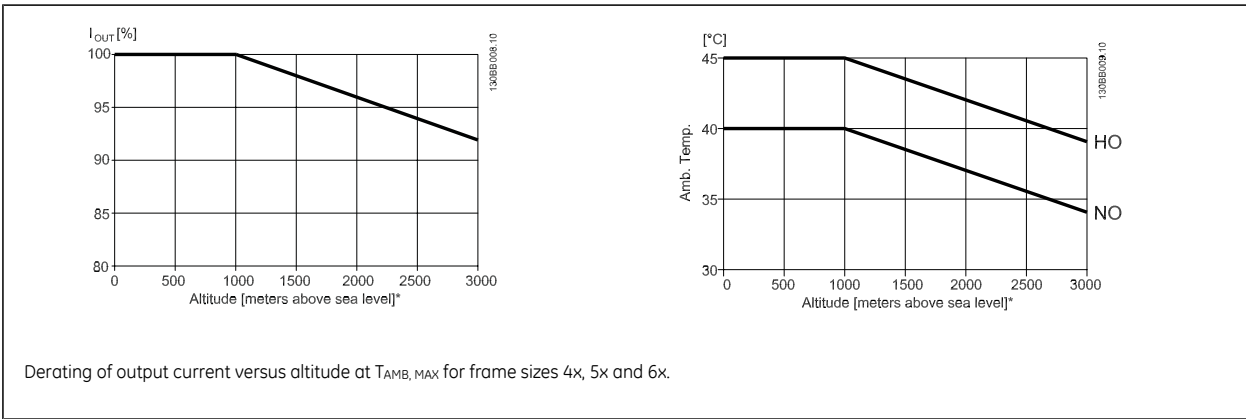
The cooling capability of air is decreased at lower air pressure.

Below 1000 m altitude no derating is necessary but above 1000 m the ambient temperature ( $T_{AMB}$ ) or max. output current ( $I_{out}$ ) should be derated in accordance with the shown diagram.



An alternative is to lower the ambient temperature at high altitudes and thereby ensure 100% output current at high altitudes. As an example of how to read the graph, the situation at 2 km is elaborated. At a temperature of 45° C ( $T_{AMB, MAX} - 3.3$  K), 91% of the rated output current is available. At a temperature of 41.7° C, 100% of the rated output current is available.





### 7.6.5 Derating for Running at Low Speed

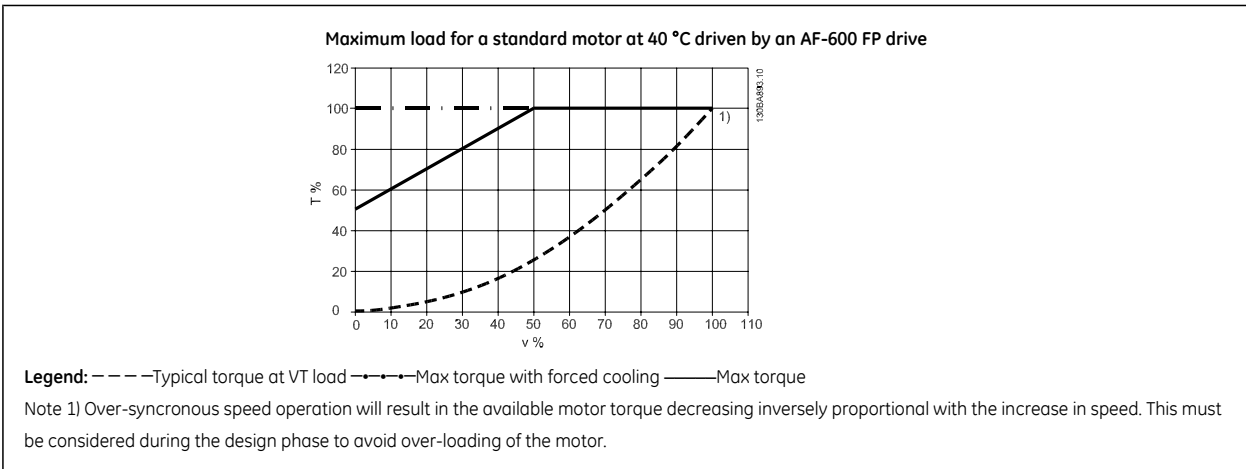
When a motor is connected to a frequency converter, it is necessary to check that the cooling of the motor is adequate. The level of heating depends on the load on the motor, as well as the operating speed and time.

## 7

### Variable (Quadratic) torque applications (VT)

In VT applications such as centrifugal pumps and fans, where the torque is proportional to the square of the speed and the power is proportional to the cube of the speed, there is no need for additional cooling or de-rating of the motor.

In the graphs shown below, the typical VT curve is below the maximum torque with de-rating and maximum torque with forced cooling at all speeds.





## 7.7 Troubleshooting

### 7.7.1 Alarms and Warnings

A warning or an alarm is signalled by the relevant LED on the front of the frequency converter and indicated by a code on the display.

A warning remains active until its cause is no longer present. Under certain circumstances operation of the motor may still be continued. Warning messages may be critical, but are not necessarily so.

In the event of an alarm, the frequency converter will have tripped. Alarms must be reset to restart operation once their cause has been rectified.

**This may be done in four ways:**

1. By using the [RESET] control button on the keypad.
2. Via a digital input with the "Reset" function.
3. Via serial communication/optional network.
4. By resetting automatically using the [Auto Reset] function, which is a default setting for AF-600 FP Drive, see par. H-04 *Auto-Reset (Times)* in the AF-600 FP Programming Guide

**NB!**

After a manual reset using the [RESET] button on the keypad, the [AUTO] or [HAND] button must be pressed to restart the motor.

7

If an alarm cannot be reset, the reason may be that its cause has not been rectified, or the alarm is trip-locked (see also table on following page).

Alarms that are trip-locked offer additional protection, means that the mains supply must be switched off before the alarm can be reset. After being switched back on, the frequency converter is no longer blocked and may be reset as described above once the cause has been rectified.

Alarms that are not trip-locked can also be reset using the automatic reset function in par. H-04 *Auto-Reset (Times)* (Warning: automatic wake-up is possible!)

If a warning and alarm is marked against a code in the table on the following page, this means that either a warning occurs before an alarm, or it can be specified whether it is a warning or an alarm that is to be displayed for a given fault.

This is possible, for instance, in par. F-10 *Electronic Overload*. After an alarm or trip, the motor carries on coasting, and the alarm and warning flash on the frequency converter. Once the problem has been rectified, only the alarm continues flashing.



7

No.	Description	Warning	Alarm/Trip	Alarm/Trip Lock	Parameter Reference
1	10 Volts low	X			
2	Live zero error	(X)	(X)		AN-01
3	No motor	(X)			H-80
4	Mains phase loss	(X)	(X)	(X)	SP-12
5	DC link voltage high	X			
6	DC link voltage low	X			
7	DC over voltage	X	X		
8	DC under voltage	X	X		
9	Inverter overloaded	X	X		
10	Motor Elec. OL over temperature	(X)	(X)		F-10
11	Motor thermistor over temperature	(X)	(X)		F-10
12	Torque limit	X	X		
13	Over Current	X	X	X	
14	Earth fault	X	X	X	
15	Hardware mismatch		X	X	
16	Short Circuit		X	X	
17	Control word timeout	(X)	(X)		O-04
23	Internal Fan Fault	X			
24	External Fan Fault	X			SP-53
29	Drive over temperature	X	X	X	
30	Motor phase U missing	(X)	(X)	(X)	H-78
31	Motor phase V missing	(X)	(X)	(X)	H-78
32	Motor phase W missing	(X)	(X)	(X)	H-78
33	Inrush fault		X	X	
34	Network communication fault	X	X		
36	Mains failure	X	X		
38	Internal fault		X	X	
39	Heatsink sensor		X	X	
40	Overload of Digital Output Terminal 27	(X)			E-00, E-51
41	Overload of Digital Output Terminal 29	(X)			E-00, E-51
42	Overload of Digital Output On X30/6 (OPCGPIO)	(X)			E-56
42	Overload of Digital Output On X30/7 (OPCGPIO)	(X)			E-57
46	Pwr. card supply		X	X	
47	24 V supply low	X	X	X	
48	1.8 V supply low		X	X	
49	Speed limit	X			H-36
50	Auto Tune calibration failed		X		
51	Auto Tune check $U_{nom}$ and $I_{nom}$		X		
52	Auto Tune low $I_{nom}$		X		
53	Auto Tune motor too big		X		
54	Auto Tune motor too small		X		
55	Auto Tune parameter out of range		X		
56	Auto Tune interrupted by user		X		
57	Auto Tune timeout		X		
58	Auto Tune internal fault	X	X		
59	Current limit	X			
61	Tracking Error	(X)	(X)		H-20
62	Output Frequency at Maximum Limit	X			
64	Voltage Limit	X			
65	Control Board Over-temperature	X	X	X	
66	Heat sink Temperature Low	X			
67	Option Configuration has Changed		X		
68	Safe Stop Activated		X <sup>1)</sup>		
69	Pwr. Card Temp		X	X	

Table 7.6: Alarm/Warning code list



No.	Description	Warning	Alarm/Trip	Alarm/Trip Lock	Parameter Reference
70	Illegal Drive configuration			X	
72	Dangerous Failure			X <sup>1)</sup>	
73	Safe Stop Auto Restart				
76	Power Unit Setup	X			
77	Reduced power mode	X			
79	Illegal PS config		X	X	
80	Drive Restored to Factory Settings		X		
85	Profibus/Profisafe Error				
91	Analog input 54 wrong settings			X	
92	NoFlow	X	X		AP-2#
93	Dry Pump	X	X		AP-2#
94	End of Curve	X	X		AP-5#
95	Broken Belt	X	X		AP-6#
96	Start Delayed	X			AP-7#
97	Stop Delayed	X			AP-7#
98	Clock Fault	X			K-7#

Table 7.7: Alarm/Warning code list

(X) Dependent on parameter

1) Can not be Auto reset via par. H-04 *Auto-Reset (Times)*

A trip is the action when an alarm has appeared. The trip will coast the motor and can be reset by pressing the reset button or make a reset by a digital input (parameter group E-1# [1]). The original event that caused an alarm cannot damage the frequency converter or cause dangerous conditions. A trip lock is an action when an alarm occurs, which may cause damage to frequency converter or connected parts. A Trip Lock situation can only be reset by a power cycling.

<i>LED indication</i>	
Warning	yellow
Alarm	flashing red
Trip locked	yellow and red



7

Alarm Word and Extended Status Word					
Bit	Hex	Dec	Alarm Word	Warning Word	Extended Status Word
0	00000001	1			Ramping
1	00000002	2	Pwr. Card Temp	Pwr. Card Temp	Auto Tune Running
2	00000004	4	Earth Fault	Earth Fault	Start CW/CCW
3	00000008	8	Ctrl.Card Temp	Ctrl.Card Temp	Slow Down
4	00000010	16	Ctrl. Word TO	Ctrl. Word TO	Catch Up
5	00000020	32	Over Current	Over Current	Feedback High
6	00000040	64	Torque Limit	Torque Limit	Feedback Low
7	00000080	128	Motor Th Over	Motor Th Over	Output Current High
8	00000100	256	Motor Elec. OL Over	Motor Elec. OL Over	Output Current Low
9	00000200	512	Inverter Overld.	Inverter Overld.	Output Freq High
10	00000400	1024	DC under Volt	DC under Volt	Output Freq Low
11	00000800	2048	DC over Volt	DC over Volt	
12	00001000	4096	Short Circuit	DC Voltage Low	
13	00002000	8192	Inrush Fault	DC Voltage High	
14	00004000	16384	Mains ph. Loss	Mains ph. Loss	Out of Speed Range
15	00008000	32768	Auto Tune Not OK	No Motor	OVC Active
16	00010000	65536	Live Zero Error	Live Zero Error	
17	00020000	131072	Internal Fault	10V Low	
18	00040000	262144			
19	00080000	524288	U phase Loss		
20	00100000	1048576	V phase Loss		
21	00200000	2097152	W phase Loss	Speed Limit	
22	00400000	4194304	Network Fault	Network Fault	
23	00800000	8388608	24 V Supply Low	24V Supply Low	
24	01000000	16777216	Mains Failure	Mains Failure	
25	02000000	33554432	1.8V Supply Low	Current Limit	
26	04000000	67108864		Low Temp	
27	08000000	134217728		Voltage Limit	
28	10000000	268435456	Option Change	Unused	
29	20000000	536870912	Drive Restored to Factory Settings	Unused	
30	40000000	1073741824		Unused	

Table 7.8: Description of Alarm Word, Warning Word and Extended Status Word

The alarm words, warning words and extended status words can be read out via serial bus or optional network for diagnosis. See also par. DR-90 *Alarm Word*, par. DR-92 *Warning Word* and par. DR-94 *Ext. Status Word*.



## 7.7.2 Alarm Words

Alarm word, par. DR-90 Alarm Word

Bit (Hex)	Alarm Word (par. DR-90 Alarm Word)
00000001	
00000002	Power card over temperature
00000004	Earth fault
00000008	Ctrl. card over temperature
00000010	Control word timeout
00000020	Over current
00000040	Torque limit
00000080	Motor thermistor over temp.
00000100	Motor Electronic Thermal Overload over temperature
00000200	Inverter overloaded
00000400	DC link under voltage
00000800	DC link over voltage
00001000	Short circuit
00002000	Inrush fault
00004000	Mains phase loss
00008000	Auto Tune not OK
00010000	Live zero error
00020000	Internal fault
00040000	
00080000	Motor phase U is missing
00100000	Motor phase V is missing
00200000	Motor phase W is missing
00400000	Network fault
00800000	24V supply fault
01000000	Mains failure
02000000	1.8V supply fault
04000000	
08000000	
10000000	Option change
20000000	Drive initialized
80000000	Not used

Alarm word 2, par. DR-91 Alarm Word 2

Bit (Hex)	Alarm Word 2 (par. DR-91 Alarm Word 2)
00000001	Service Trip, read / Write
00000002	Reserved
00000004	Service Trip, Typecode / Sparepart
00000008	Reserved
00000010	Reserved
00000020	No Flow
00000040	Dry Pump
00000080	End of Curve
00000100	Broken Belt
00000200	Not used
00000400	Not used
00000800	Reserved
00001000	Reserved
00002000	Reserved
00004000	Reserved
00008000	Reserved
00010000	Reserved
00020000	Not used
00040000	Fans error
00080000	Reserved
00100000	Reserved
00200000	Reserved
00400000	Reserved
00800000	Reserved
01000000	Reserved
02000000	Reserved
04000000	Reserved
08000000	Reserved
10000000	Reserved
20000000	Reserved
40000000	Reserved
80000000	Reserved



### 7.7.3 Warning Words

Warning word , par. DR-92 *Warning Word*

Bit (Hex)	Warning Word (par. DR-92 <i>Warning Word</i> )
00000001	
00000002	Power card over temperature
00000004	Earth fault
00000008	Ctrl. card over temperature
00000010	Control word timeout
00000020	Over current
00000040	Torque limit
00000080	Motor thermistor over temp.
00000100	Motor Electronic Thermal Overload over temperature
00000200	Inverter overloaded
00000400	DC link under voltage
00000800	DC link over voltage
00001000	DC link voltage low
00002000	DC link voltage high
00004000	Mains phase loss
00008000	No motor
00010000	Live zero error
00020000	10V low
00040000	
00080000	
00100000	
00200000	Speed limit
00400000	Network comm. fault
00800000	24V supply fault
01000000	Mains failure
02000000	Current limit
04000000	Low temperature
08000000	Voltage limit
10000000	Encoder loss
20000000	Output frequency limit
40000000	Not used
80000000	Not used

Warning word 2, par. DR-93 *Warning Word 2*

Bit (Hex)	Warning Word 2 (par. DR-93 <i>Warning Word 2</i> )
00000001	Start Delayed
00000002	Stop Delayed
00000004	Clock Failure
00000008	Reserved
00000010	Reserved
00000020	No Flow
00000040	Dry Pump
00000080	End of Curve
00000100	Broken Belt
00000200	Not used
00000400	Reserved
00000800	Reserved
00001000	Reserved
00002000	Reserved
00004000	Reserved
00008000	Reserved
00010000	Reserved
00020000	Not used
00040000	Fans warning
00080000	Reserved
00100000	Reserved
00200000	Reserved
00400000	Reserved
00800000	Reserved
01000000	Reserved
02000000	Reserved
04000000	Reserved
08000000	Reserved
10000000	Reserved
20000000	Reserved
40000000	Reserved
80000000	Reserved



## 7.7.4 Extended Status Words

Extended status word, par. DR-94 Ext. Status Word

Bit (Hex)	Extended Status Word (par. DR-94 Ext. Status Word)
00000001	Ramping
00000002	Auto Tune tuning
00000004	Start CW/CCW
00000008	Not used
00000010	Not used
00000020	Feedback high
00000040	Feedback low
00000080	Output current high
00000100	Output current low
00000200	Output frequency high
00000400	Output frequency low
00000800	
00001000	
00002000	
00004000	Out of speed range
00008000	OVC active
00010000	AC brake
00020000	Password Timelock
00040000	Password Protection
00080000	Reference high
00100000	Reference low
00200000	Local Ref./Remote Ref.
00400000	Reserved
00800000	Reserved
01000000	Reserved
02000000	Reserved
04000000	Reserved
08000000	Reserved
10000000	Reserved
20000000	Reserved
40000000	Reserved
80000000	Reserved

Extended status word 2, par. DR-95 Ext. Status Word 2

Bit (Hex)	Extended Status Word 2 (par. DR-95 Ext. Status Word 2)
00000001	Off
00000002	Hand / Auto
00000004	Not used
00000008	Not used
00000010	Not used
00000020	Relay 123 active
00000040	Start Prevented
00000080	Control ready
00000100	Drive ready
00000200	Quick Stop
00000400	DC Brake
00000800	Stop
00001000	Standby
00002000	Freeze Output Request
00004000	Freeze Output
00008000	Jog Request
00010000	Jog
00020000	Start Request
00040000	Start
00080000	Start Applied
00100000	Start Delay
00200000	Sleep
00400000	Sleep Boost
00800000	Running
01000000	Bypass
02000000	Fire Mode
04000000	Reserved
08000000	Reserved
10000000	Reserved
20000000	Reserved
40000000	Reserved
80000000	Reserved





## 7.7.5 Fault Messages

### WARNING 1, 10 volts low

The control card voltage is below 10 V from terminal 50.

Remove some of the load from terminal 50, as the 10 V supply is overloaded. Max. 15 mA or minimum 590  $\Omega$ .

This condition can be caused by a short in a connected potentiometer or improper wiring of the potentiometer.

**Troubleshooting:** Remove the wiring from terminal 50. If the warning clears, the problem is with the customer wiring. If the warning does not clear, replace the control card.

### WARNING/ALARM 2, Live zero error

This warning or alarm will only appear if programmed by the user in par. AN-01 *Live Zero Timeout Function*. The signal on one of the analog inputs is less than 50% of the minimum value programmed for that input. This condition can be caused by broken wiring or faulty device sending the signal.

### WARNING/ALARM 3, No motor

No motor has been connected to the output of the frequency converter. This warning or alarm will only appear if programmed by the user in par. H-80 *Function at Stop*.

**Troubleshooting:** Check the connection between the drive and the motor.

### WARNING/ALARM 4, Mains phase loss

A phase is missing on the supply side, or the mains voltage imbalance is too high. This message also appears for a fault in the input rectifier on the frequency converter. Options are programmed at par. SP-12 *Function at Line Imbalance*.

**Troubleshooting:** Check the supply voltage and supply currents to the frequency converter.

### WARNING 5, DC link voltage high

The intermediate circuit voltage (DC) is higher than the high voltage warning limit. The limit is dependent on the drive voltage rating. The frequency converter is still active.

### WARNING 6, DC link voltage low

The intermediate circuit voltage (DC) is lower than the low voltage warning limit. The limit is dependent on the drive voltage rating. The frequency converter is still active.

### WARNING/ALARM 7, DC overvoltage

If the intermediate circuit voltage exceeds the limit, the frequency converter trips after a time.

#### Troubleshooting:

Extend the ramp time

Change the ramp type

Activate functions in par. B-10 *Brake Function*

Increase par. SP-26 *Trip Delay at Drive Fault*

### WARNING/ALARM 8, DC under voltage

If the intermediate circuit voltage (DC) drops below the under voltage limit, the frequency converter checks if a 24 V backup supply is connected. If no 24 V backup supply is connected, the frequency converter trips after a fixed time delay. The time delay varies with unit size.

### WARNING/ALARM 9, Inverter overloaded

The frequency converter is about to cut out because of an overload (too high current for too long). The counter for electronic, thermal inverter protection gives a warning at 98% and trips at 100%, while giving an alarm. The frequency converter *cannot* be reset until the counter is below 90%.

The fault is that the frequency converter is overloaded by more than 100% for too long. Note: See the derating section in the Design Guide for more details if a high switching frequency is required.

### WARNING/ALARM 10, Motor overload temperature

According to the electronic thermal protection, the motor is too hot. Select whether the frequency converter gives a warning or an alarm when the counter reaches 100% in par. F-10 *Electronic Overload*. The fault is that the motor is overloaded by more than 100% for too long.

#### Troubleshooting:

Check if motor is over heating.

If the motor is mechanically overloaded

That the motor par. P-03 *Motor Current* is set correctly.

Motor data in parameters P-02, P-03, P-06, P-07, F-04 and F-05 are set correctly.

The setting in par. F-11 *Motor External Fan*.

Run Auto tune in par. P-04 *Auto Tune*.

### WARNING/ALARM 11, Motor thermistor over temp

The thermistor or the thermistor connection is disconnected. Select whether the frequency converter gives a warning or an alarm when the counter reaches 100% in par. F-10 *Electronic Overload*.

#### Troubleshooting:

Check if motor is over heating.

Check if the motor is mechanically overloaded.

Check that the thermistor is connected correctly between terminal 53 or 54 (analog voltage input) and terminal 50 (+10 V supply), or between terminal 18 or 19 (digital input PNP only) and terminal 50.

If using a thermal switch or thermistor, check the programming of par. F-12 *Motor Thermistor Input* matches sensor wiring.

### WARNING/ALARM 12, Torque limit

The torque is higher than the value in par. F-40 *Torque Limiter (Driving)* (in motor operation) or the torque is higher than the value in par. F-41 *Torque Limiter (Braking)* (in regenerative operation). Par. SP-25 *Trip Delay at Torque Limit* can be used to change this from a warning only condition to a warning followed by an alarm.

### WARNING/ALARM 13, Over Current

The inverter peak current limit (approx. 200% of the rated current) is exceeded. The warning lasts about 1.5 sec., then the frequency converter trips and issues an alarm.

### ALARM 14, Earth (ground) fault

There is a discharge from the output phases to earth, either in the cable between the frequency converter and the motor or in the motor itself.

#### Troubleshooting:

Turn off the frequency converter and remove the earth fault.

Measure the resistance to ground of the motor leads and the motor with a megohmmeter to check for earth faults in the motor.



Perform current sensor test.

#### ALARM 15, Hardware mismatch

A fitted option is not operational with the present control board hardware or software.

Record the value of the following parameters and contact your GE supplier:

Par. ID-40 *Drive Type*

Par. ID-41 *Power Section*

Par. ID-42 *Voltage*

Par. ID-43 *Software Version*

Par. ID-45 *Actual Typecode String*

Par. ID-49 *SW ID Control Card*

Par. ID-50 *SW ID Power Card*

Par. ID-60 *Option Mounted*

Par. ID-61 *Option SW Version*

#### ALARM 16, Short circuit

There is short-circuiting in the motor or on the motor terminals.

Turn off the frequency converter and remove the short-circuit.

#### WARNING/ALARM 17, Control word timeout

There is no communication to the frequency converter.

The warning will only be active when par. O-04 *Control Word Timeout Function* is NOT set to OFF.

If par. O-04 *Control Word Timeout Function* is set to *Stop and Trip*, a warning appears and the frequency converter decels until it trips, while giving an alarm.

#### Troubleshooting:

Check connections on the serial communication cable.

Increase par. O-03 *Control Word Timeout Time*

Check operation of the communication equipment.

Verify proper installation based on EMC requirements.

#### WARNING 23, Internal fan fault

The fan warning function is an extra protection function that checks if the fan is running / mounted. The fan warning can be disabled in par. SP-53 *Fan Monitor* ([0] Disabled).

For the 4x, 5x, and 6x unit size drives, the regulated voltage to the fans is monitored.

#### Troubleshooting:

Check fan resistance.

Check soft charge fuses.

#### WARNING 24, External fan fault

The fan warning function is an extra protection function that checks if the fan is running / mounted. The fan warning can be disabled in par. SP-53 *Fan Monitor* ([0] Disabled).

For the 4x, 5x, and 6x unit size drives, the regulated voltage to the fans is monitored.

#### Troubleshooting:

Check fan resistance.

Check soft charge fuses.

#### ALARM 29, Heatsink temp

The maximum temperature of the heatsink has been exceeded. The temperature fault will not be reset until the temperature falls below a defined heatsink temperature. The trip and reset point are different based on the drive power size.

#### Troubleshooting:

Ambient temperature too high.

Too long motor cable.

Incorrect clearance above and below the drive.

Dirty heatsink.

Blocked air flow around the drive.

Damaged heatsink fan.

For the 4x, 5x, and 6x unit size Drives, this alarm is based on the temperature measured by the heatsink sensor mounted inside the IGBT modules. For the 6x unit size drives, this alarm can also be caused by the thermal sensor in the Rectifier module.

#### Troubleshooting:

Check fan resistance.

Check soft charge fuses.

IGBT thermal sensor.

#### ALARM 30, Motor phase U missing

Motor phase U between the frequency converter and the motor is missing. Turn off the frequency converter and check motor phase U.

#### ALARM 31, Motor phase V missing

Motor phase V between the frequency converter and the motor is missing. Turn off the frequency converter and check motor phase V.

#### ALARM 32, Motor phase W missing

Motor phase W between the frequency converter and the motor is missing. Turn off the frequency converter and check motor phase W.

#### ALARM 33, Inrush fault

Too many power-ups have occurred within a short time period. Let unit cool to operating temperature.

#### WARNING/ALARM 34, Network communication fault

The network on the communication option card is not working.

#### WARNING/ALARM 35, Out of frequency range:

This warning is active if the output frequency has reached the high limit (set in par. H-73) or low limit (set in par. H-72).

#### WARNING/ALARM 36, Mains failure

This warning/alarm is only active if the supply voltage to the frequency converter is lost and par. SP-10 *Line failure* is NOT set to OFF. Check the fuses to the frequency converter

#### ALARM 38, Internal fault

It may be necessary to contact your GE supplier. Some typical alarm messages:

0	Serial port cannot be initialized. Serious hardware failure
256-258	Power EEPROM data is defect or too old
512	Control board EEPROM data is defect or too old
513	Communication time out reading EEPROM data
514	Communication time out reading EEPROM data



515	Application Orientated Control cannot recognize the EEPROM data
516	Cannot write to the EEPROM because a write command is on progress
517	Write command is under time out
518	Failure in the EEPROM
519	Missing or invalid Barcode data in EEPROM
783	Parameter value outside of min/max limits
1024-1279	A can-telegram that has to be sent, couldn't be sent
1281	Digital Signal Processor flash timeout
1282	Power micro software version mismatch
1283	Power EEPROM data version mismatch
1284	Cannot read Digital Signal Processor software version
1299	Option SW in slot A is too old
1300	Option SW in slot B is too old
1301	Option SW in slot C0 is too old
1302	Option SW in slot C1 is too old
1315	Option SW in slot A is not supported (not allowed)
1316	Option SW in slot B is not supported (not allowed)
1317	Option SW in slot C0 is not supported (not allowed)
1318	Option SW in slot C1 is not supported (not allowed)
1379	Option A did not respond when calculating Platform Version.
1380	Option B did not respond when calculating Platform Version.
1381	Option C0 did not respond when calculating Platform Version.
1382	Option C1 did not respond when calculating Platform Version.
1536	An exception in the Application Orientated Control is registered. Debug information written in keypad
1792	DSP watchdog is active. Debugging of power t data Motor Orientated Control data not transferred correctly
2049	Power data restarted
2064-2072	H081x: option in slot x has restarted
2080-2088	H082x: option in slot x has issued a powerup-wait
2096-2104	H083x: option in slot x has issued a legal powerup-wait
2304	Could not read any data from power EEPROM
2305	Missing SW version from power unit
2314	Missing power unit data from power unit
2315	Missing SW version from power unit
2316	Missing io_statepage from power unit
2324	Power card configuration is determined to be incorrect at power up
2330	Power size information between the power cards does not match
2561	No communication from DSP to ATACD
2562	No communication from ATACD to DSP (state running)
2816	Stack overflow Control board module
2817	Scheduler slow tasks
2818	Fast tasks
2819	Parameter thread
2820	keypad Stack overflow
2821	Serial port overflow
2822	USB port overflow
2836	cfListMempool too small
3072-5122	Parameter value is outside its limits
5123	Option in slot A: Hardware incompatible with Control board hardware
5124	Option in slot B: Hardware incompatible with Control board hardware
5125	Option in slot C0: Hardware incompatible with Control board hardware
5126	Option in slot C1: Hardware incompatible with Control board hardware
5376-6231	Out of memory

**ALARM 39, Heatsink sensor**

No feedback from the heatsink temperature sensor.

The signal from the IGBT thermal sensor is not available on the power card. The problem could be on the power card, on the gate drive card, or the ribbon cable between the power card and gate drive card.

**WARNING 40, Overload of Digital Output Terminal 27**

Check the load connected to terminal 27 or remove short-circuit connection. Check par. E-00 *Digital I/O Mode* and par. E-51 *Terminal 27 Mode*.

**WARNING 41, Overload of Digital Output Terminal 29**

Check the load connected to terminal 29 or remove short-circuit connection. Check par. E-00 *Digital I/O Mode* and par. E-52 *Terminal 29 Mode*.

**WARNING 42, Overload of Digital Output on X30/6 or Overload of Digital Output on X30/7**

For X30/6, check the load connected to X30/6 or remove short-circuit connection. Check . E-56 *X30/6 Digital Out (OPCGPIO)*.

For X30/7, check the load connected to X30/7 or remove short-circuit connection. Check . E-57 *Term X30/7 Digital Out (OPCGPIO)*.

**ALARM 46, Power card supply**

The supply on the power card is out of range.

There are three power supplies generated by the switch mode power supply (SMPS) on the power card: 24 V, 5V, +/- 18V. When powered with 24 VDC with the OPC24VPS option, only the 24 V and 5 V supplies are monitored. When powered with three phase mains voltage, all three supplied are monitored.

**WARNING 47, 24 V supply low**

The 24 V DC is measured on the control card. The external V DC backup power supply may be overloaded, otherwise contact your GE supplier.

**WARNING 48, 1.8 V supply low**

The 1.8 V DC supply used on the control card is outside of allowable limits. The power supply is measured on the control card.

**WARNING 49, Speed limit**

When the speed is not within the specified range in par. F-18 and par. F-17. the drive will show a warning. When the speed is below the specified limit in par. H-36 *Trip Speed Low [RPM]* (except when starting or stopping) the drive will trip.

**ALARM 50, Auto tune calibration failed**

Contact your GE supplier.

**ALARM 51, Auto tune check Unom and Inom**

The setting of motor voltage, motor current, and motor power is presumably wrong. Check the settings.

**ALARM 52, Auto tune low Inom**

The motor current is too low. Check the settings.

**ALARM 53, Auto tune motor too big**

The motor is too big for the Auto tune to be carried out.

**ALARM 54, Auto tune motor too small**

The motor is too big for the Auto tune to be carried out.

**ALARM 55, Auto tune Parameter out of range**

The parameter values found from the motor are outside acceptable range.

**ALARM 56, Auto tune interrupted by user**

The Auto tune has been interrupted by the user.

**ALARM 57, Auto tune timeout**

Try to start the Auto tune again a number of times, until the Auto tune is carried out. Please note that repeated runs may heat the motor to a level where the resistance  $R_s$  and  $R_r$  are increased. In most cases, however, this is not critical.

**ALARM 58, Auto tune internal fault**

Contact your GE supplier.

**WARNING 59, Current limit**

The current is higher than the value in par. F-43 *Current Limit*.

**WARNING 60, External interlock**

External interlock has been activated. To resume normal operation, apply 24 V DC to the terminal programmed for external interlock and reset the frequency converter (via serial communication, digital I/O, or by pressing reset button on keypad).

**WARNING 62, Output frequency at maximum limit**

The output frequency is higher than the value set in par. F-03 *Max Output Frequency 1*.

**WARNING 64, Voltage limit**

The load and speed combination demands a motor voltage higher than the actual DC link voltage.

**WARNING/ALARM/TRIP 65, Control card over temperature**

Control card over temperature: The cutout temperature of the control card is 80° C.

**WARNING 66, Heatsink temperature low**

This warning is based on the temperature sensor in the IGBT module.

**Troubleshooting:****ALARM 67, Option module configuration has changed**

One or more options have either been added or removed since the last power-down.

**ALARM 69, Power card temperature**

The temperature sensor on the power card is either too hot or too cold.

**Troubleshooting:**

Check the operation of the door fans.

Check that the filters for the door fans are not blocked.

Check that the gland plate is properly installed on IP 21 and IP 54 (NEMA 1 and NEMA 12) drives.

**ALARM 70, Illegal Drive Configuration**

Actual combination of control board and power board is illegal.

**Warning 76, Power Unit Setup**

The required number of power units does not match the detected number of active power units.

**WARNING 77, Reduced power mode:**

This warning indicates that the drive is operating in reduced power mode (i.e. less than the allowed number of inverter sections). This warning will be generated on power cycle when the drive is set to run with fewer inverters and will remain on.

**ALARM 79, Illegal power section configuration**

The scaling card is the incorrect t number or not installed. Also MK102 connector on the power card could not be installed.

**ALARM 80, Drive Restored to Factory Settings**

Parameter settings are restored to factory settings after a manual reset.

**ALARM 92, No flow**

A no-load situation has been detected in the system. See parameter group AP-2#.

**ALARM 93, Dry pump**

A no-flow situation and high speed indicates that the pump has run dry. See parameter group AP-2#.

**ALARM 94, End of curve**

Feedback stays lower than the set point which may indicate leakage in the pipe system. See parameter group AP-5#.

**ALARM 95, Broken belt**

Torque is below the torque level set for no load, indicating a broken belt. See parameter group AP-6#.

**ALARM 96, Start delayed**

Motor start has been delayed due to short-cycle protection active. See parameter group AP-7#.

**WARNING 97, Stop delayed**

Stopping the motor has been delayed due to short cycle protection is active. See parameter group AP-7#.

**WARNING 98, Clock fault**

Clock Fault. Time is not set or RTC clock (if mounted) has failed. See parameter group K-7#.

**WARNING 201, Fire M was Active**

Fire Mode has been active.

**WARNING 202, Fire M Limits Exceeded**

Fire Mode has suppressed one or more warranty voiding alarms.

**WARNING 203, Missing Motor**

A multi-motor under-load situation was detected, this could be due to e.g. a missing motor.

**WARNING 204, Locked Rotor**

A multi-motor overload situation was detected, this could be due to e.g. a locked rotor.

**ALARM 244, Heatsink temperature**

This alarm is only for 6x unit size drives. It is equivalent to Alarm 29. The report value in the alarm log indicates which power module generated the alarm:

1 = left most inverter module.

2 = middle inverter module in 62 or 64 drive.

2 = right inverter module in 61 or 63 drive.

3 = right inverter module in 62 or 64 drive.

5 = rectifier module.

**ALARM 245, Heatsink sensor**

This alarm is only for 6x unit size drives. It is equivalent to Alarm 39. The report value in the alarm log indicates which power module generated the alarm:

1 = left most inverter module.

2 = middle inverter module in 62 or 64 drive.

2 = right inverter module in 61 or 63 drive.

3 = right inverter module in 62 or 64 drive.

5 = rectifier module.

**ALARM 246, Power card supply**

This alarm is only for 6x unit size drives. It is equivalent to Alarm 46. The report value in the alarm log indicates which power module generated the alarm:

1 = left most inverter module.

2 = middle inverter module in 62 or 64 drive.

2 = right inverter module in 61 or 63 drive.

3 = right inverter module in 62 or 64 drive.

5 = rectifier module.

**ALARM 247, Power card temperature**

This alarm is only for 6x unit size drives. It is equivalent to Alarm 69. The report value in the alarm log indicates which power module generated the alarm:

1 = left most inverter module.



2 = middle inverter module in 62 or 64 drive.

2 = right inverter module in 61 or 63 drive.

3 = right inverter module in 62 or 64 drive.

5 = rectifier module.

**ALARM 248, Illegal power section configuration**

This alarm is only for 6x unit size drives. It is equivalent to Alarm 79. The report value in the alarm log indicates which power module generated the alarm:

1 = left most inverter module.

2 = middle inverter module in 62 or 64 drive.

2 = right inverter module in 61 or 63 drive.

3 = right inverter module in 62 or 64 drive.

5 = rectifier module.

**ALARM 250, New spare part**

The power or switch mode power supply has been exchanged. The frequency converter model number must be restored in the EEPROM. Remember to select 'Save to EEPROM' to complete.

**ALARM 251, New model number**

The frequency converter has a new model number.



## Index

### 0

0 - 10 Vdc	52
0-20 Ma	52

### 3

3 Setpoint Pid Controller	23
---------------------------	----

### 4

4-20 Ma	52
---------	----

## A

Abbreviations	5
Accessory Bags	62
Acoustic Noise	150
Advanced Vector Control	7
Aggressive Environments	14
Air Humidity	14
Alarm Word	161
Alarm/warning Code List	158, 159
Alarms And Warnings	157
Aluminium Conductors	68
Analog I/o Selection	52
Analog Inputs	7
Analog Inputs	146
Analog Inputs	7
Analog Output	146
Analog Outputs - Terminal X30/5-8	47
Analog Voltage Inputs - Terminal X30/10-12	47
Auto Tune	96
Auto Tune	82, 96
Automatic Adaptations To Ensure Performance	155
Awg	133

## B

Balancing Contractor	26
Battery Back-up Of Clock Function	52
Better Control	19
Branch Circuit Protection	74
Break-away Torque	6
Building Management System	52
Building Management System, Bms	17
Bypass Frequency Ranges	24

## C

Cable Clamp	93
Cable Clamps	90
Cable Length And Cross-section	68
Cable Lengths And Cross Sections	145
Caution	12
Cav System	23
Ce Conformity And Labelling	13
Central Vav Systems	22
Clockwise Rotation	86
Closed Loop Control For A Ventilation System	33
Co2 Sensor	23
Coasting	130
Coasting	5, 129
Communication Option	165
Comparison Of Energy Savings	17
Condenser Pumps	25
Conducted Emission.	36



Constant Air Volume	23
Control Cable Terminals	79
Control Cables	90
Control Cables	68, 80
Control Cables	67, 80
Control Card Performance	148
Control Card, 10 V Dc Output	147
Control Card, 24 V Dc Output	147
Control Card, Rs-485 Serial Communication:	146
Control Card, Usb Serial Communication:	148
Control Characteristics	147
Control Potential	27
Control Structure Closed Loop	29
Control Structure Open Loop	28
Control Terminals	79
Control Word	128
Cooling	156
Cooling Conditions	63
Cooling Tower Fan	24
Copyright, Limitation Of Liability And Revision Rights	3
Cos $\Phi$ Compensation	19

## D

Dampers	22
Data Types Supported By The Frequency Converter	113
Dc Brake	128
Dc Link	164
Dct 10 Set-up Software	89
Definitions	5
Derating For Ambient Temperature	155
Derating For Low Air Pressure	155
Derating For Running At Low Speed	156
Differential Pressure	27
Digital Inputs - Terminal X30/1-4	47
Digital Inputs:	145
Digital Output	147
Digital Outputs - Terminal X30/5-7	47
Direction Of Motor Rotation	86
Disposal Instruction	13
Drive Profile	128
Drive With Modbus Rtu	108
Du/dt Filters	56

## E

Earth Leakage Current	90
Earth Leakage Current	40
Earthing	93
Earthing Of Screened/armoured Control Cables	93
Efficiency	149
Electrical Installation	67, 68, 80
Electrical Installation - Emc Precautions	90
Electronic Thermal Overload	85
Emc Directive 89/336/eec	14
Emc Precautions	107
Emc Test Results	36
Emission Requirements	36
Energy Savings	18
Energy Savings	16
Equalising Cable,	93
Evaporator Flow Rate	26
Example Of Closed Loop Pid Control	33
Extended Status Word	163
Extended Status Word 2	163
External 24 V Dc Supply	51
External Fan Supply	84
Extreme Running Conditions	40

**F**

Fan System Controlled By Frequency Converters	21
Fault Messages	164
Field Mounting	65
Final Set-up And Test	82
Flow Meter	26
Freeze Output	5
Frequency Converter Hardware Setup	106
Frequency Converter Set-up	109
Frequency Converter With Modbus Rtu	116
Function Codes Supported By Modbus Rtu	120
Fuse Tables	75
Fuses	74

**G**

General Aspects Of Emc Emissions	35
General Aspects Of Harmonics Emission	37
General Specifications	145
General Warning	4
Gland/conduit Entry - Ip21 (nema 1) And Ip54 (nema12)	71

**H**

Harmonics Emission Requirements	37
Harmonics Test Results (emission)	37
High Voltage Test	90
Hold Output Frequency	129
How To Connect A Pc To The Frequency Converter	88
How To Control The Frequency Converter	120

**I**

I/os For Set Point Inputs	52
Igys	22
Immunity Requirements	38
Index (ind)	112
Installation At High Altitudes	11
Intermediate Circuit	40, 150
Ip 21/Ip 4x/ Type 1 Enclosure Kit	55
Ip 21/type 1 Unit Kit	55

**J**

Jog	6
Jog	129

**L**

Laws Of Proportionality	16
Lead Pump Alternation Wiring Diagram	102
Leakage Current	40
Lifting	64
Literature	4
Load Drive Settings	89
Local (hand) And Remote (auto) Control	29
Local Speed Determination	26
Logic Controller	96
Logic Controller Programming	97
Low Evaporator Temperature	26

**M**

Mains Drop-out	40
Mains Supply	9
Mains Supply	133, 137
Mains Supply 3 X 525- 690 Vac	141
Manual Pid Adjustment	35





Mechanical Dimensions	61
Mechanical Dimensions	59
Mechanical Dimensions - High Power	60
Mechanical Mounting	63
Modbus Communication	106
Modbus Exception Codes	120
Moment Of Inertia	40
Motor Cables	90
Motor Cables	68
Motor Name Plate	82
Motor Name Plate Data	82
Motor Output	145
Motor Parameters	96
Motor Phases	40
Motor Protection	85,148
Motor Rotation	86
Motor Thermal Protection	131
Motor Thermal Protection	41,86
Motor Voltage	150
Motor-generated Over-voltage	40
Multiple Pumps	27

## N

Name Plate Data	82
Network Connection	105
Ni1000 Temperature Sensor	52

## O

Opc24vps 24v Dc External Supply Module	51
Opcao Analog I/o Option Module	52
Opcrlly	48
Opcrlly Relay Option Module	48
Options And Accessories	45
Output Filters	56
Output Performance (u, V, W)	145
Outputs For Actuators	52
Over-current Protection	74

## P

Parallel Connection Of Motors	85
Parameter Number (pnu)	112
Parameter Values	121
Pay Back Period	18
Pc Software Tools	88
Pc-based Configuration Tool Dct 10	88
Peak Voltage On Motor	150
Pelv - Protective Extra Low Voltage	39
Plc	93
Potentiometer Reference	96
Power Factor	9
Power Factor Correction	19
Primary Pumps	26
Principle Diagram	52
Profibus Dp-v1	89
Programmable Minimum Frequency Setting	24
Programming Order	34
Protection	14,39,40
Protection And Features	148
Protocol Overview	107
Pt1000 Temperature Sensor	52
Public Supply Network	37
Pulse Inputs	146
Pulse Start/stop	95
Pump Impeller	25



## R

Radiated Emission	36
Rated Motor Speed	6
Rcd	8, 40
Read Holding Registers (03 Hex)	125
Real-time Clock (rtc)	53
Reference Handling	32
Relay Output	84
Relay Outputs	147
Removal Of Knockouts For Extra Cables	71
Residual Current Device	40, 93
Return Fan	22
Rise Time	150
Rs 485 Bus Connection	88
RS-485	105

## S

Safety Earth Connection	90
Safety Note	11
Safety Regulations	11
Safety Requirements Of Mechanical Installation	65
Save Drive Settings	89
Screened/armoured	80
Screened/armoured.	68
Screening Of Cables	68
Secondary Pumps	27
Serial Communication	93, 148
Serial Communication Port	7
Set Speed Limit And Ramp Time	83
Short Circuit (motor Phase - Phase)	40
Sine-wave Filters	56
Soft-starter	20
Software Version	3
Star/delta Starter	20
Start/stop	95
Start/stop Conditions	103
Static Overload In Advanced Vector Control Mode	40
Status Word	130
Successful Auto Tune	83
Surroundings:	148
Switches S201, S202, And S801	81
Switching Frequency	68
Switching On The Output	40
System Status And Operation	100

## T

Telegram Length (lge)	109
The Clear Advantage - Energy Savings	15
The Emc Directive (89/336/eec)	13
The Low-voltage Directive (73/23/eec)	13
The Machinery Directive (98/37/eec)	13
Thermistor	8
Throttling Valve	25
Tightening Of Terminals	66
Torque Characteristics	145
Transmitter/sensor Inputs	52
Troubleshooting	157
Tuning The Drive Closed Loop Controller	35

## U

UI Fuses, 200 - 240 V	75
Unit Size Knock-outs	69
Unsuccessful Auto Tune	83
Usb Connection	79



Use Of Emc-correct Cables .....	92
---------------------------------	----

## V

Variable (quadratic) Torque Applications (vt) .....	156
Variable Air Volume .....	22
Variable Control Of Flow And Pressure .....	19
Varying Flow Over 1 Year .....	18
Vav .....	22
Vibration And Shock .....	15
Vibrations .....	24
Voltage Level .....	145

## W

Warning Against Unintended Start .....	11
Warning Word .....	162
Warning Word 2 .....	162
What Is Ce Conformity And Labelling? .....	13
What Is Covered .....	13

The instructions do not purport to cover all details or variations in equipment nor to provide for every possible contingency to be met in connection with installation, operation or maintenance. Should further information be desired or should particular problems arise which are not covered sufficiently for the purchaser's purposes, the matter should be referred to the GE company.

AF-600 FP is a trademark of the General Electric Company.

GE Consumer & Industrial  
41 Woodford Avenue  
Plainville, CT 06062

[www.geelectrical.com/drives](http://www.geelectrical.com/drives)



imagination at work

130R0358



DET-621