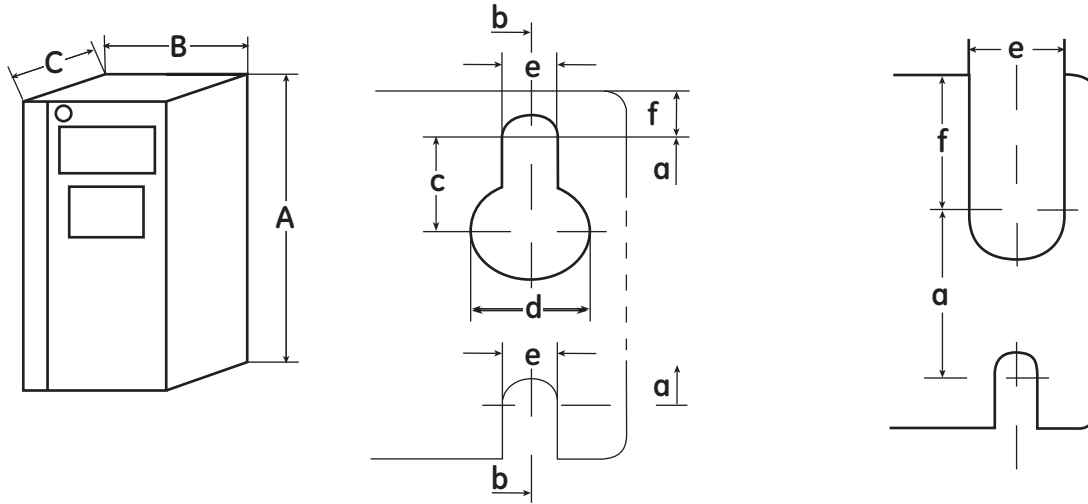


# Drives

## AF-600FP™ Fan and Pump Drive

### Dimensional Drawings



#### Mechanical Dimensions, 1X Unit Sizes

Unit Size	Dimensions	12	13	15
<b>Drive Type</b>		IP20 Open Chassis	IP20 Open Chassis	NEMA 12
<b>Voltage</b>				
240V		1 to 3HP	5HP	1 to 5HP
460V		1 to 5HP	7.5 to 10HP	1 to 10HP
575V			1 to 10HP	1 to 10HP
<b>Height</b>				
Height of backplate	A	10.55 in	10.55 in	16.54 in
Height with de-coupling plate	A	14.72 in	14.72 in	—
Distance between mounting holes	a	10.12 in	10.12 in	15.83 in
<b>Width</b>				
Width of backplate	B	3.54 in	5.12 in	9.53 in
Distance between mounting holes	b	2.76 in	4.33 in	8.46 in
<b>Depth</b>				
Depth without I/O and/or Network Option	C	8.07 in	8.07 in	7.68 in
Depth with I/O and/or Network Option	C	8.67 in	8.67 in	7.68 in
<b>Screw Holes</b>				
	c	0.315 in	0.315 in	0.325 in
	d	0.433 in	0.433 in	0.472 in
	e	0.216 in	0.216 in	0.256 in
	f	0.354 in	0.354 in	0.354 in
<b>Weight</b>		10.8 lbs	14.5 lbs	29.7/31.2 lbs

#### Mechanical Dimensions 2X Unit Sizes

Unit Size	Dimensions	21	22	23	24
<b>Drive Type</b>		NEMA 12	NEMA 12	IP20 Open Chassis	IP20 Open Chassis
<b>Voltage</b>					
240V 1-Phase		2 to 7.5HP	10HP	---	---
240V		7.5 to 15HP	20HP	7.5 to 15HP	20 to 25HP
460V 1-Phase		10HP	15HP	---	---
460V		15 to 25HP	30 to 40HP	15 to 25HP	30 to 50HP
575V		15 to 25HP	30 to 40HP	15 to 25HP	30 to 50HP
<b>Height</b>					
Height of backplate	A	18.9 in	25.6 in	15.7 in	20.5 in
Height with de-coupling plate	A	---	---	16.54 in	23.43 in
Distance between mounting holes	a	17.9 in	24.6 in	14.96 in	19.5 in
<b>Width</b>					
Width of backplate	B	9.53 in	9.53 in	6.5 in	9.06 in
Distance between mounting holes	b	8.27 in	8.27 in	5.5 in	7.87 in
<b>Depth</b>					
Depth without I/O and/or Network Option	C	10.24 in	10.24 in	9.81 in	9.53 in
Depth with I/O and/or Network Option	C	10.24 in	10.24 in	10.31 in	9.53 in
<b>Screw Holes</b>					
	c	0.472 in	0.472 in	0.315 in	---
	d	0.748 in	0.748 in	0.472 in	---
	e	0.354 in	0.354 in	0.268 in	0.335 in
	f	0.354 in	0.354 in	0.31 in	0.59 in
<b>Weight</b>		50.6 lbs	59.5 lbs	26.4 lbs	51.7 lbs



# Drives

## AF-600FP™ Fan and Pump Drive

### Dimensional Drawings

## Section 15

### Mechanical Dimensions, 3X Unit Sizes

Unit Size	Dimensions	31	32	33	34
<b>Drive Type</b>		NEMA 12	NEMA 12	IP20 Open Chassis	IP20 Open Chassis
<b>Voltage</b>					
240V 1-Phase		20HP	30HP	---	---
240V		25 to 40HP	50 to 60HP	30 to 40HP	50 to 60HP
460V 1-Phase		25HP	50HP	---	---
460V		50 to 75HP	100 to 125HP	60 to 75HP	100 to 125HP
575V		50 to 75HP	100 to 125HP	60 to 75HP	100 to 125HP
<b>Height</b>					
Height of backplate	A	26.78 in	30.31 in	21.65 in	25.98 in
Height with de-coupling plate	A	---	---	24.8 in	31.5 in
Distance between mounting holes	a	25.51 in	29.1 in	20.51 in	24.84 in
<b>Width</b>					
Width of backplate	B	12.13 in	14.57 in	12.13 in	14.57 in
Distance between mounting holes	b	10.71 in	13.15 in	10.63 in	12.99 in
<b>Depth</b>					
Depth without I/O and/or Network Option	C	12.2 in	13.19 in	13.12 in	13.12 in
Depth with I/O and/or Network Option	C	12.2 in	13.19 in	13.12 in	13.12 in
<b>Screw Holes</b>					
	c	0.492 in	0.492 in	---	---
	d	0.748 in	0.748 in	---	---
	e	0.354 in	0.354 in	0.335 in	0.335 in
	f	0.386 in	0.386 in	0.67 in	0.67 in
<b>Weight</b>		99 lbs	143 lbs	77 lbs	110 lbs

### Mechanical Dimensions IP20 Open Chassis Drives with Field Installed IP21/NEMA 1 Kits<sup>1</sup>

Unit Size	12	13	23	24	33	34
<b>Drive Type</b>	IP20 Open Chassis with IP21/NEMA 1 Kit	IP20 Open Chassis with IP21/NEMA 1 Kit	IP20 Open Chassis with IP21/NEMA 1 Kit	IP20 Open Chassis with IP21/NEMA 1 Kit	IP20 Open Chassis with IP21/NEMA 1 Kit	IP20 Open Chassis with IP21/NEMA 1 Kit
<b>Voltage</b>						
240V	1 to 3HP	5HP	7.5 to 15HP	20 to 25HP	30 to 40HP	50 to 60HP
460V	1 to 5HP	7.5 to 10HP	15 to 25HP	30 to 50HP	60 to 75HP	100 to 125HP
575V		1 to 10HP	15 to 25HP	30 to 50HP	60 to 75HP	100 to 125HP
<b>Height</b>						
Height with Kit	14.76 in	14.76 in	18.7 in	26.4 in	29.7 in	37.4 in
<b>Width</b>						
Width of backplate	3.71 in	5.12 in	6.5 in	9.1 in	12.1 in	14.6 in
Distance between mounting holes	2.76 in	4.33 in	5.5 in	7.9 in	10.6 in	13.0 in
<b>Depth</b>						
Depth without I/O and/or Network Option	8.07 in	8.07 in	9.81 in	9.53 in	13.3 in	13.3 in
Depth with I/O and/or Network Option	8.67 in	8.67 in	10.31 in	9.53 in	13.3 in	13.3 in

<sup>1</sup>Please consult IP21/NEMA 1 Kit Instructions for further mounting details and dimensions.

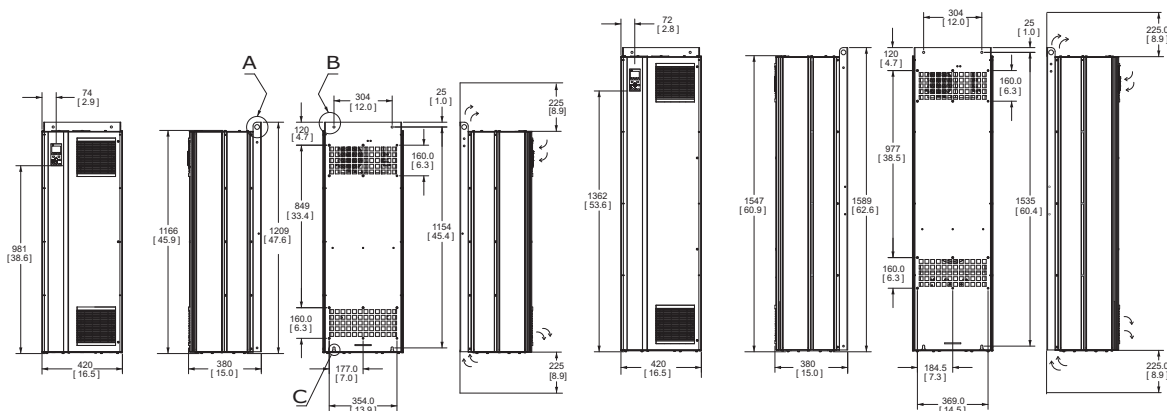
Note: Please allow 2" between drives with field installed IP21/NEMA 1 Kits. Also, please consult the relevant AF-6 Series drives Operating Instructions for recommended clearance above and below each drive rating.



# Drives

## AF-600FP™ Fan and Pump Drive

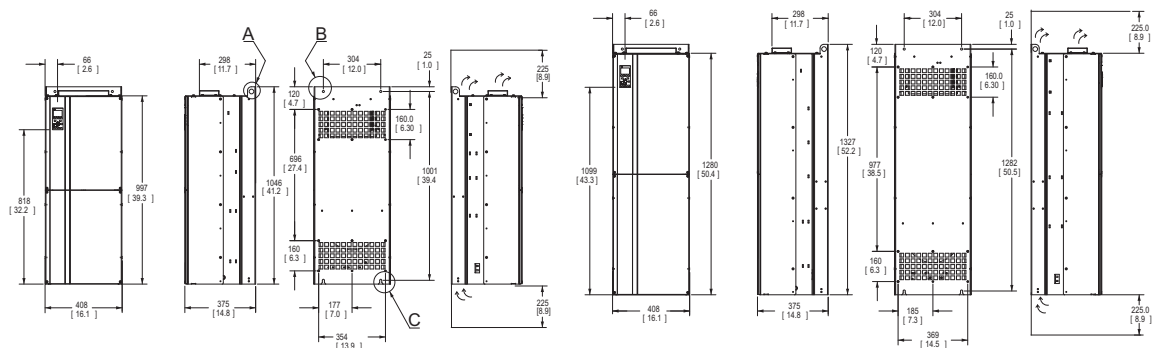
### Dimensional Drawings



Unit Size 41

IP21 and IP54/UL and NEMA Type 1 and 12

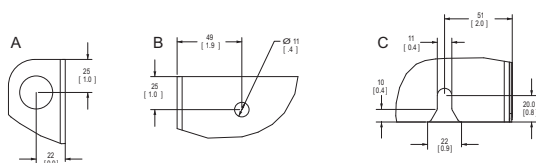
Unit Size 42



Unit Size 43

IP00/Chassis

Unit Size 44



IP00/IP21/IP54—All Sizes

Unit Size	41	42	43	44
Drive Type	NEMA 1/NEMA 12	NEMA 1/NEMA 12	IP00 Open Chassis	IP00 Open Chassis
Voltage				
460V	150 to 200HP	250 to 350HP	150 to 200HP	250 to 350HP
575V	150 to 200HP	250 to 400HP	150 to 200HP	250 to 400HP
Shipping Dimensions				
Height	25.6 in	25.6 in	25.6 in	25.6 in
Width	68.11 in	68.11 in	48.03 in	58.66 in
Depth	22.44 in	22.44 in	22.44 in	22.44 in
Drive Dimensions				
Height	47.6 in	62.56 in	41.18 in	52.24 in
Width	16.54 in	16.54 in	16.06 in	16.06 in
Depth	14.96 in	14.96 in	14.76 in	14.76 in
Weight	228.8 lbs	332.2 lbs	200.2 lbs	303.6 lbs



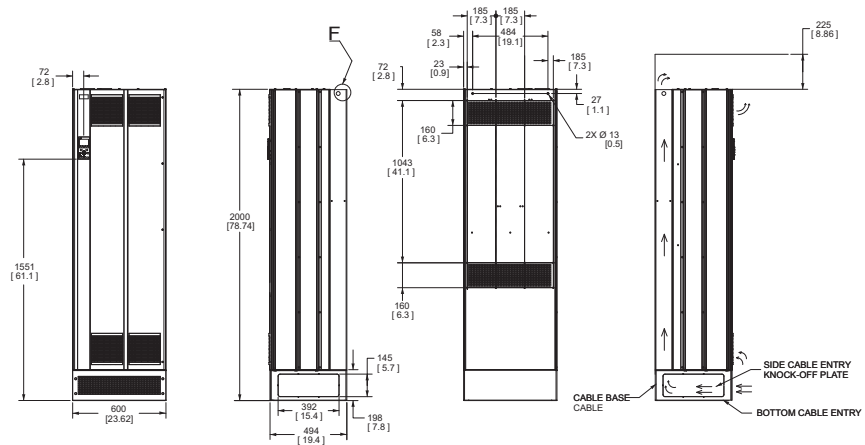
# Drives

## AF-600FP™ Fan and Pump Drive Dimensional Drawings

## Section 15

### Unit Size 51 Dimensions

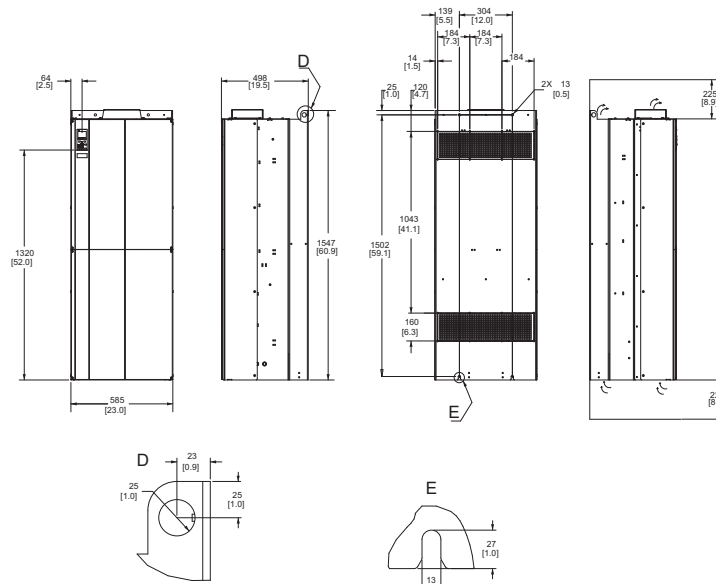
<b>Drive Type</b>	NEMA 1/NEMA 12
<b>Voltage</b>	
460V	450 to 600HP
575V	450 to 650HP
<b>Shipping Dimensions</b>	
Height	33.1 in
Width	86.5 in
Depth	28.9 in
<b>Drive Dimensions</b>	
Height	78.7 in
Width	23.6 in
Depth	19.4 in
<b>Weight</b>	690 lbs



Unit Size 51, IP21 and IP54/UL and NEMA Type 1 and 12

### Unit Size 52 Dimensions

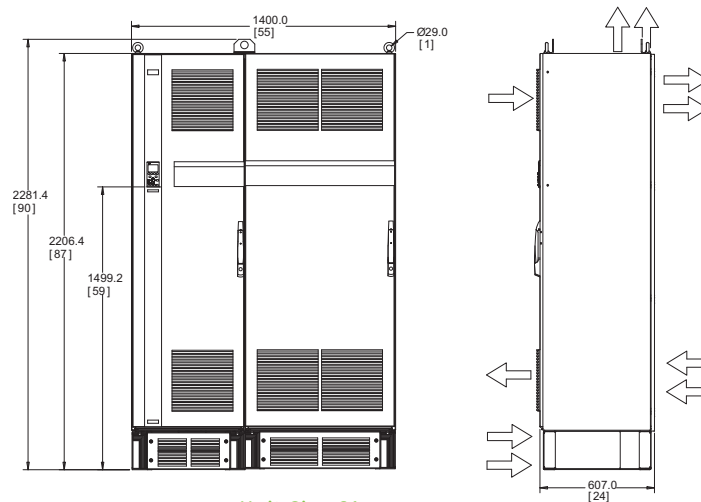
<b>Drive Type</b>	IP00 Open Chassis
<b>Voltage</b>	
460V	450 to 600HP
575V	450 to 650HP
<b>Shipping Dimensions</b>	
Height	32.7 in
Width	67.1 in
Depth	28.9 in
<b>Drive Dimensions</b>	
Height	60.9 in
Width	23.1 in
Depth	19.6 in
<b>Weight</b>	610 lbs



Unit Size 52, IP00/Chassis

### Unit Size 61 Dimensions

<b>Drive Type</b>	NEMA 1/NEMA 12
<b>Voltage</b>	
460V	650 to 1000HP
575V	750 to 1050HP
<b>Shipping Dimensions</b>	
Height	91.5 in
Width	61.8 in
Depth	36.5 in
<b>Drive Dimensions</b>	
Height	90 in
Width	55 in
Depth	24 in
<b>Weight</b>	2213 lbs



Unit Size 61



# Drives

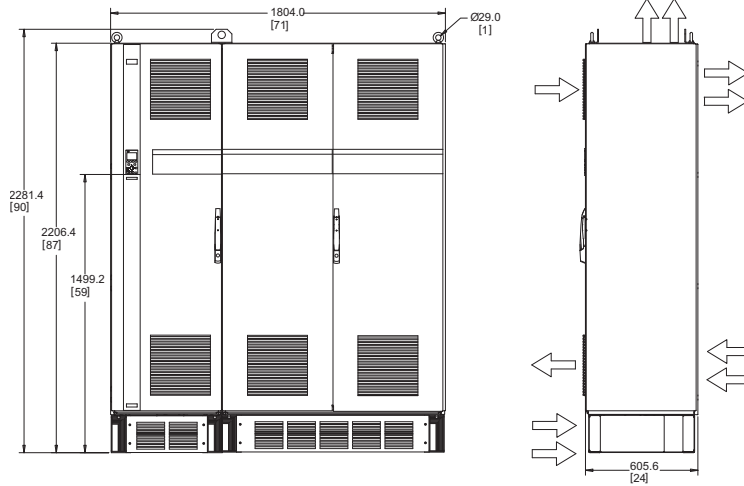
## AF-600FP™ Fan and Pump Drive

### Dimensional Drawings

## Section 15

#### Unit Size 62 Dimensions

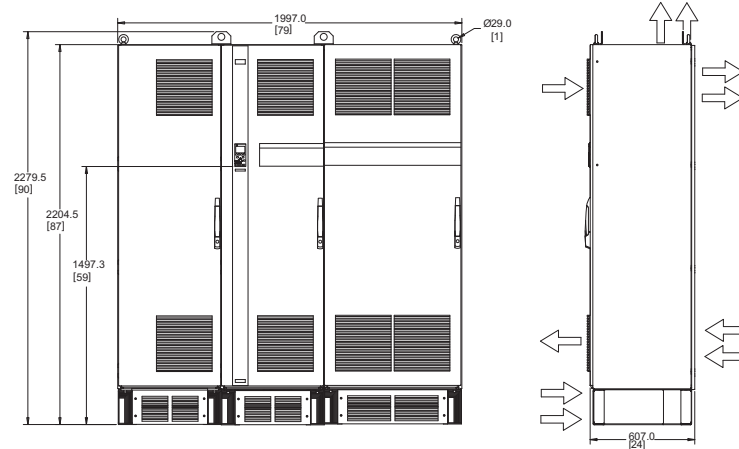
<b>Drive Type</b>	NEMA 1/NEMA 12
<b>Voltage</b>	
460V	1200 to 1350HP
575V	1150 to 1350HP
<b>Shipping Dimensions</b>	
Height	91.5 in
Width	77.2 in
Depth	36.5 in
<b>Drive Dimensions</b>	
Height	90 in
Width	71 in
Depth	24 in
<b>Weight</b>	2782 lbs



Unit Size 62

#### Unit Size 63 Dimensions

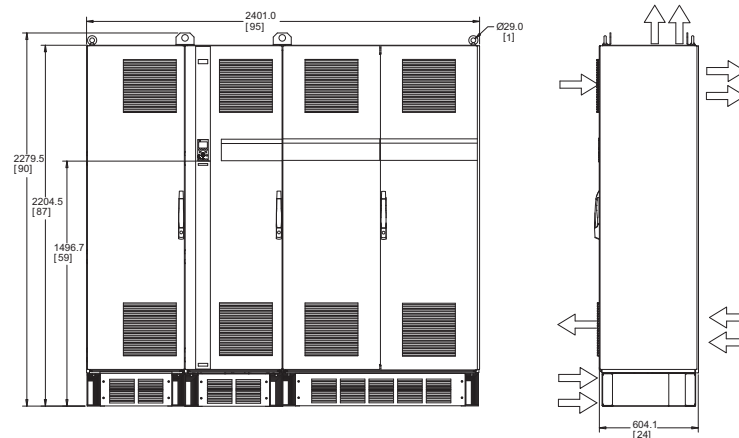
<b>Drive Type</b>	NEMA 1/NEMA 12
<b>Voltage</b>	
460V	650 to 1000HP
575V	750 to 1050HP
<b>Shipping Dimensions</b>	
Height	91.5 in
Width	85 in
Depth	36.5 in
<b>Drive Dimensions</b>	
Height	90 in
Width	79 in
Depth	24 in
<b>Weight</b>	2864 lbs



Unit Size 63

#### Unit Size 64 Dimensions

<b>Drive Type</b>	NEMA 1/NEMA 12
<b>Voltage</b>	
460V	1200 to 1350HP
575V	1150 to 1350HP
<b>Shipping Dimensions</b>	
Height	91.5 in
Width	100.1 in
Depth	36.5 in
<b>Drive Dimensions</b>	
Height	90 in
Width	94.5 in
Depth	24 in
<b>Weight</b>	3397 lbs



Unit Size 64

