

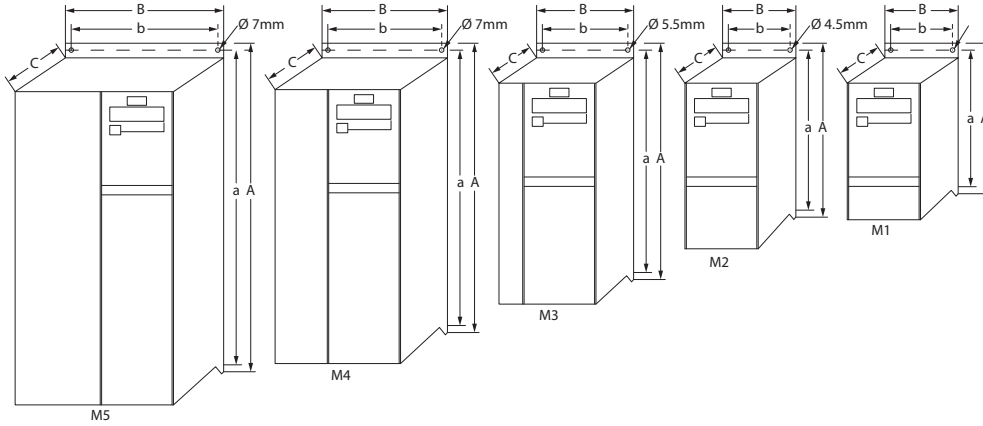
Drives

AF-60LP™ Micro Drive

Dimensional Drawings

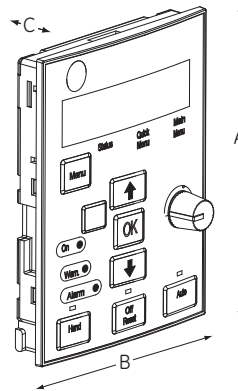
AF-60LP™ Micro Drive Dimensions

Unit Size	Ratings (HP)			Height (in./mm)			Width (in./mm)		Depth (in./mm)	Weight Lbs / Kg
	230 V, 1Ph	230V, 3Ph	460V, 3Ph	A (including decoupling plate)			B	b	C	
				A	a	a				
M1	0.25-1	0.33-1	0.5-1	5.9/150	8.1/205	5.5/140.4	2.8/70	2.16/55	5.8/148	2.43/1.1
M2	2	2	2-3	6.9/176	9.1/230	6.6/166.4	2.9/75	2.32/59	6.6/168	3.53/1.6
M3	3	3-5	3-10	9.41/239	11.6/294	8.9/226	3.54/90	2.72/69	7.6/194	6.6/3.0
M4	-	-	15-20	11.5/292	13.7/347.5	10.7/272.4	4.9/125	3.8/97	9.8/249	13.2/6.0
M5	-	-	25-30	13.2/335	15.3/387.5	12.4/315	6.5/165	5.5/140	10/256	20.9/9.5

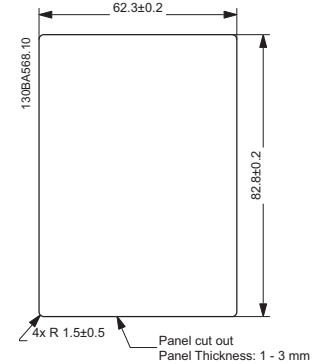


AF-60LP™ Micro Drive Keypad Dimensions

Height (in./mm)	Width (in./mm)	Depth (in./mm)	Weight Lbs / Kg
A	B	C	
3.35 / 85	2.56 / 65	1.1 / 28	0.18 / 0.08



AF-60LP™ Micro Drive Keypad



AF-60LP™ Micro Drive Keypad Cut Out

Note: Please allow 2" between drives with field installed IP21/NEMA 1 Kits. Also, please consult the relevant AF-6 Series drives Operating Instructions for recommended clearance above and below each drive rating.



Drives

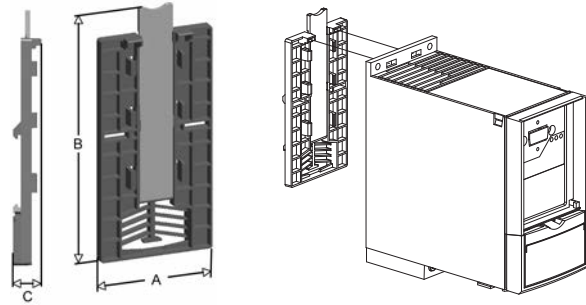
AF-60LP™ Micro Drive

Dimensional Drawings

Section 15

DIN Rail Mounting Kit for 1HP and below drives

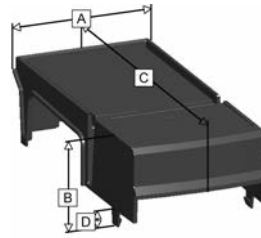
Product Number	A (in/mm)	B (in/mm)	C (in/mm)
RMACLP1	2.36/60	5.08/129	0.53/13.5



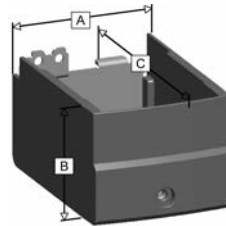
DIN Rail Mounting Kit for 1HP and below drives

NEMA 1 Field Installed Kit - Top

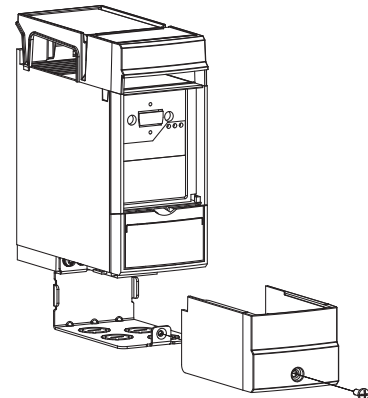
Product Number	A (in/mm)	B (in/mm)	C (in/mm)	D (in/mm)
NEMA1ACLP1	2.84/72	1.69/43	5.94/151	0.31/8
NEMA1ACLP2	3.03/77	1.69/43	6.77/172	0.31/8
NEMA1ACLP3	3.62/92	1.69/43	7.84/199	0.31/8



Top



Bottom



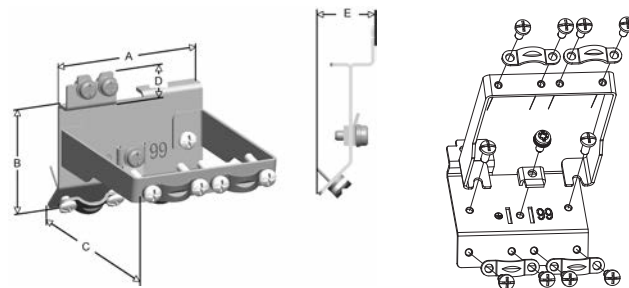
NEMA 1 Kit

NEMA 1 Field Installed Kit - Bottom

Product Number	A (in/mm)	B (in/mm)	C (in/mm)
NEMA1ACLP1	2.76/70	2.17/55	4.21/107
NEMA1ACLP2	2.95/75	2.17/55	4.49/114
NEMA1ACLP3	3.54/90	2.17/55	4.76/121

De-Coupling Plate Kit

Product Number	A (in/mm)	B (in/mm)	C (in/mm)	D (in/mm)	E (in/mm)
DEPLTACLP1	2.76/70	2.05/52	3.94/100	0.55/14	0.89/22.6
DEPLTACLP2	2.76/70	2.05/52	N/A	0.55/14	0.89/22.6



De-Coupling Plate Kit

