

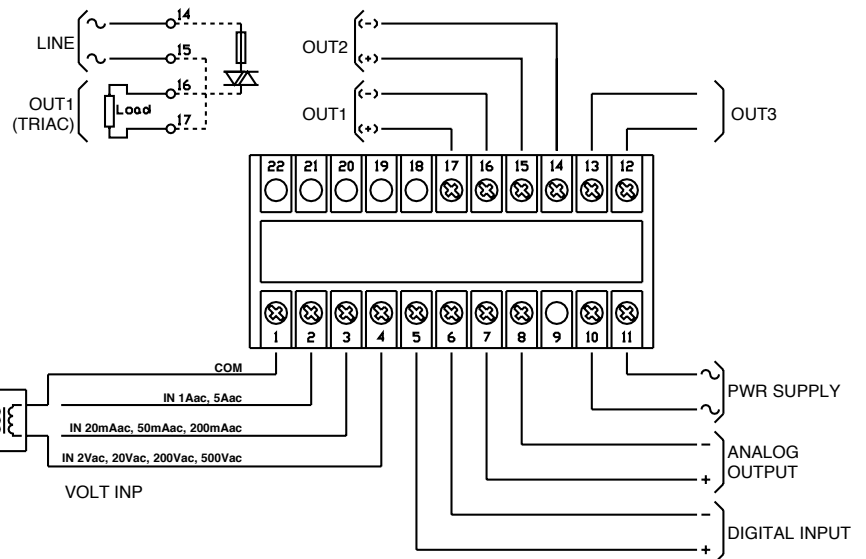
48x96x105 faceplate version

Universal Versions

40A 96**AC CURRENT AND VOLTAGE INDICATOR - ALARM UNIT**

AC current and voltage indicator and alarm unit, microprocessor-based, configurable from faceplate keys and from PC.

- **Inputs: VAC, AAC**
- **Faceplate protection: IP65**
- **Alarms: 2 (configurable)**

**CE UL**

Power supply	Order code	SAP/METEL code
11..27Vac/Vdc	40A-96-4-00-RR-0-0-0	FO00214
100..240Vac/Vdc	40A-96-4-00-RR-0-0-1	FO00215