

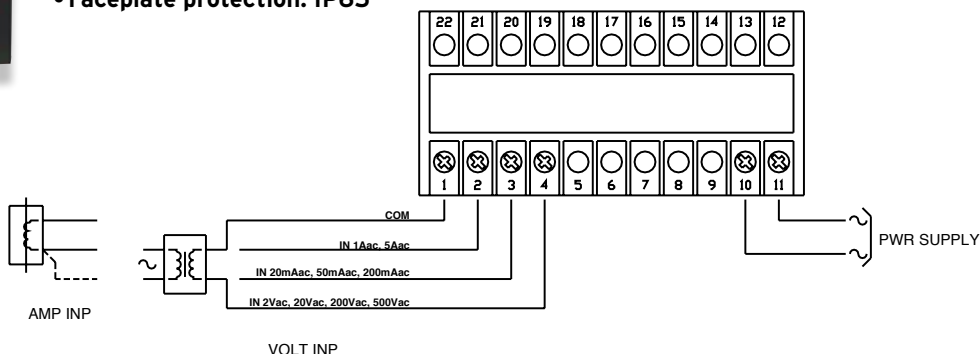
4A 96



CONFIGURABLE AC CURRENT AND VOLTAGE INDICATOR

AC current and voltage indicator, 4-digit display, microprocessor-based, configurable from faceplate keys and from PC.

- Inputs: VAC, AAC
- Faceplate protection: IP65



Power supply	Order code	SAP/METEL code
11..27Vac/Vdc	4A-96-4-00-0	F000180
100..240Vac/Vdc	4A-96-4-00-1	F000181

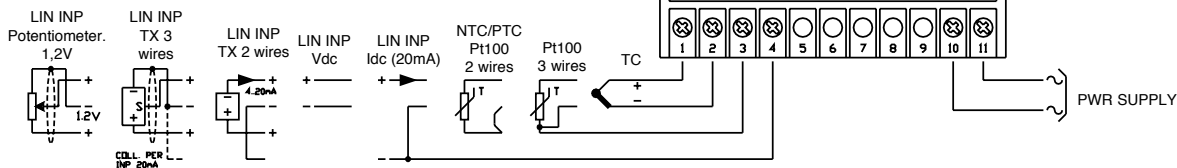
4T 96



UNIVERSAL TEMPERATURE INDICATOR

Universal indicator, 4-digit display, microprocessor-based, configurable from faceplate keys and from PC, temperature and linear inputs.

- Inputs TC, RTD, PTC, NTC, mV, V, mA linear inputs
- Faceplate protection: IP65
- Power supply for external sensor



Input	Special functions	Power supply	Order code	SAP/METEL code
TC, PT100, Lin.	-	11..27Vac/Vdc	4T-96-4-00-0	F000171 A
TC, PT100, Lin.	-	100..240Vac/Vdc	4T-96-4-00-1	F000172 A
TC, PT100, Lin., Potentiometer	Transm. power supply 1,25 Vdc	11..27Vac/Vdc	4T-96-4-01-0	F000175 A
TC, PT100, Lin., Potentiometer	Transm. power supply 1,25 Vdc	100..240Vac/Vdc	4T-96-4-01-1	F000176 A
TC, PT100, Lin.	Transm. power supply 24 Vdc	11..27Vac/Vdc	4T-96-4-24-0	F000173 A
TC, PT100, Lin.	Transm. power supply 24 Vdc	100..240Vac/Vdc	4T-96-4-24-1	F000174 A