

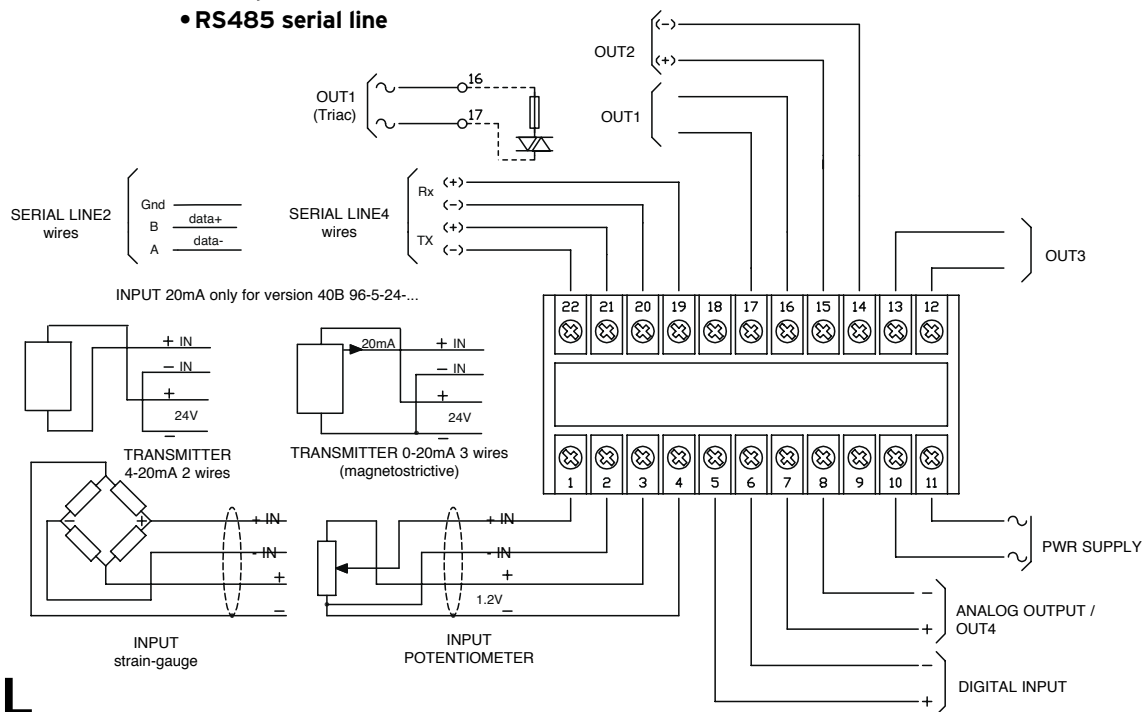
40B 96



**POSITION, FORCE AND PRESSURE INDICATOR - ALARM UNIT WITH INPUT FOR STRAIN-GAUGE AND POTENTIOMETER**

Indicator - alarm unit for load cells, strain-gauge pressure transducers, potentiometers, and magnetostrictive position sensors, microprocessor-based, configurable from faceplate keys and from PC.

- **Inputs: Strain Gauge and potentiometer**
- **Retransmitted output**
- **Faceplate protection: IP65**
- **Configurable alarms**
- **RS485 serial line**



CE UL

Input	Outputs	Special functions	Serial Communication	Power supply	Order code	SAP/METEL code
Strain Gauge, Lin.	2 relays	Transm. power supply 10 Vdc	-	11..27Vac/Vdc	40B-96-5-10-RR-00-0-0-0	F026435
Strain Gauge, Lin.	2 relays	Transm. power supply 10 Vdc	-	100..240Vac/Vdc	40B-96-5-10-RR-00-0-0-1	F026436 A
Strain Gauge, Lin.	2 relays+ Analog	Transm. power supply 10 Vdc	-	11..27Vac/Vdc	40B-96-5-10-RR-00-2-0-0	F028340 A
Strain Gauge, Lin.	2 relays+ Analog	Transm. power supply 10 Vdc	-	100..240Vac/Vdc	40B-96-5-10-RR-00-2-0-1	F027728
Strain Gauge, Lin.	3 relays+ Analog	Transm. power supply 10 VDC + digital input	-	11..27Vac/Vdc	40B-96-5-10-RR-R0-3-0-0	F026438
Strain Gauge, Lin.	3 relays+ Analog	Transm. power supply 10 VDC + digital input	-	100..240Vac/Vdc	40B-96-5-10-RR-R0-3-0-1	F027945 A
Strain Gauge, Lin. Potentiometer	4 relays	Transm. power supply 10 VDC + digital input	RS485 Modbus	11..27Vac/Vdc	40B-96-5-99-RR-RR-1-2-0	F058308
Strain Gauge, Lin. Potentiometer	4 relays	Transm. power supply 10 VDC + digital input	RS485 Modbus	100..240Vac/Vdc	40B-96-5-99-RR-RR-1-2-1	F058309