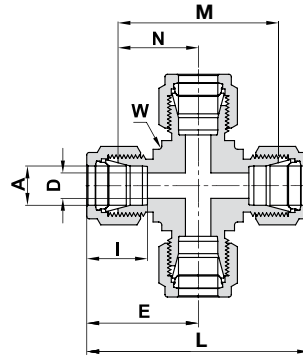


**7102 L
UNION CROSS**



ALL TUBES (METRIC)

Ordering Information	A Tube O.D.		D		W Wrench Flat		N		E		M		L		I	
	mm	mm	inch	mm	inch	mm	mm	mm	mm	mm	mm	mm	mm	mm	mm	
7102L_3	3	2.4	3/8	9.5	15.7	22.3	31.5	44.7	12.9							
7102L_6	6	4.8	1/2	12.7	19.6	27.0	39.1	53.9	15.3							
7102L_8	8	6.4	5/8	15.9	22.4	29.9	44.7	59.7	16.2							
7102L_10	10	7.9	13/16	20.6	25.9	33.5	51.8	67.0	17.2							
7102L_12	12	9.5	13/16	20.6	25.9	36.0	51.8	72.0	22.8							
7102L_16	16	12.7	15/16	23.8	26.9	37.0	53.8	74.0	24.4							
7102L_18	18	15.1	1 1/16	27.0	28.2	38.3	56.4	76.6	24.4							
7102L_20	20	15.9	1 3/8	34.9	34.5	44.6	69.0	89.3	26.0							
7102L_22	22	18.3	1 3/8	34.9	34.6	44.7	69.1	89.4	26.0							
7102L_25	25	21.8	1 3/8	34.9	36.8	49.1	73.7	98.3	31.3							

ALL TUBES (INCH)

Ordering Information	A Tube O.D.		D		W Wrench Flat		N		E		M		L		I	
	inch	mm	inch	mm	inch	mm	inch	mm	inch	mm	inch	mm	inch	mm	inch	mm
7102L_1/8	1/8	3.17	.09	2.28	3/8	9.5	.62	15.74	.88	22.35	1.24	31.48	1.76	44.70	.50	12.7
7102L_1/4	1/4	6.35	.19	4.82	1/2	12.7	.77	19.56	1.06	26.92	1.54	39.12	2.12	53.84	.60	15.2
7102L_5/16	5/16	7.93	.25	6.35	5/8	15.9	.88	22.35	1.17	29.71	1.76	44.70	2.34	59.42	.64	16.2
7102L_3/8	3/8	9.52	.28	7.11	5/8	15.9	.91	23.11	1.20	30.48	1.82	46.22	2.40	60.96	.66	16.8
7102L_1/2	1/2	12.70	.41	10.41	13/16	20.6	1.02	25.9	1.42	36.07	2.04	51.80	2.84	72.14	.90	22.9
7102L_3/4	3/4	19.05	.62	15.74	1 1/16	27.0	1.17	29.72	1.57	39.88	2.34	59.44	3.14	79.76	.96	24.4
7102L_1	1	25.40	.88	22.35	1 3/8	34.9	1.45	36.8	1.93	49.02	2.90	73.60	3.86	98.04	1.23	31.2

"D" - Dimension is minimum opening. Dimensions are for reference only, and are subject to change without notice.