

## General Accessories Panels

### Panels for 1414, EJ and PJ Series Enclosures

- 14 gauge steel panels are finished in white.
- Aluminum panels are 0.080 type 5052 H-32 aluminum, unpainted.
- 14 gauge unpainted galvanized steel.
- Fiberglass panels in NEMA sizes.
- Steel panels and mounting hardware are included with 1414 Series enclosures.
- Galvanized panels and mounting hardware are included with the EJ Series enclosures.
- Mounting hardware is included with PJ Series enclosures, order panel separately.

Steel Part No.	Fiberglass Part No.	Aluminum Part No.	Galv. Steel Part No.	Panel Length	Panel Width	For Use with 1414 and EJ		For Use with PJ Series	
						Height	Width	Height	Width
14R0503			14G0503	4.88	2.88	6	4	—	—
14R0505	14F0505	14A0505	14G0505	4.88	4.88	6	6	7.04	7.04
14R0705	14F0705	14A0705	14G0705	6.75	4.88	8	6	8.94	7.06
14R0707			14G0707	6.75	6.88	8	8	—	—
14R0907	14F0907	14A0907	14G0907	8.75	6.88	10	8	11.08	9.20
14R0909			14G0909	8.75	8.88	10	10	—	—
14R1105			14G1105	10.75	4.88	12	6	—	—
14R1109	14F1109	14A1109	14G1109	10.75	8.88	12	10	13.08	11.20
14R1111			14G1111	10.75	10.88	12	12	—	—
14R1307			14G1307	12.75	6.88	14	8	—	—
14R1311	14F1311	14A1311	14G1311	12.75	10.88	14	12	15.08	13.20
14R1509			14G1509	14.75	8.88	16	10	—	—
14R1513	14F1513	14A1513	14G1513	14.75	12.88	16	14	17.22	15.34
P1868	F1868	A1868		16.88	14.88	—	—	19.34	17.34
P2068	F2068	A2068		18.44	14.44	—	—	20.94	16.94

### Panels for 1418, 1422, 1447, and Wallmount Enclosures

- 12 gauge steel finished in white.
- Larger panels have two or four formed flanges.
- Some larger panels are 10 gauge.
- Panels and mounting hardware are included with 1418, 1447 and 1422 Series enclosures.

Part No.	Panel		For Use With Enclosure	
	Length	Width	Height	Width
18P0909 <sup>1</sup>	9	9	12	12
18P0921 <sup>2</sup>	9	21	12	24
18P1309 <sup>1</sup>	13	9	16	12
18P1313 <sup>1</sup>	13	13	16	16
18P1515 <sup>1</sup>	15	15	18	18
18P1709 <sup>1</sup>	17	9	20	12
18P1713 <sup>1</sup>	17	13	20	16
18P1717 <sup>1</sup>	17	17	20	20
18P2109 <sup>2</sup>	21	9	24	12
18P2113 <sup>2</sup>	21	13	24	16
18P2117 <sup>2</sup>	21	17	24	20
18P2121 <sup>3</sup>	21	21	24	24
18P2709 <sup>2</sup>	27	9	30	12
18P2713 <sup>2</sup>	27	13	30	16
18P2717 <sup>2</sup>	27	17	30	20
18P2721 <sup>3</sup>	27	21	30	24
18P2727 <sup>3</sup>	27	27	30	30
18P3321 <sup>3</sup>	33	21	36	24
18P3327 <sup>3</sup>	33	27	36	30
18P3333 <sup>3</sup>	33	33	36	36
18P3921 <sup>3</sup>	39	21	42	24
18P3927 <sup>3</sup>	39	27	42	30
18P3933 <sup>3</sup>	39	33	42	36
18P4521 <sup>3</sup>	45	21	48	24
18P4527 <sup>3</sup>	45	27	48	30
18P4533 <sup>3</sup>	45	33	48	36
18P5733 <sup>3</sup>	57	33	60	36
18P6927 <sup>3</sup>	69	27	72	30
18P6933 <sup>3</sup>	69	33	72	36

<sup>1</sup> Flat Panel   <sup>2</sup> 2 Formed Flanges   <sup>3</sup> 4 Formed Flanges

## Accessory Products



### Breather Kit (Pressure Compensation Plug)



- Packaged individually.
- Provides for controlled pressure compensation due to temperature variations (i.e. night/day operation).
- Recommend two plugs per cabinet in opposite locations.
- Minimum cutout diameter 1.46"

Part No.	Dimensions (Diameter x Depth)	Ship Wt. lbs
<b>SDA412</b>	2.6" x 1.2"	1

<b>Mounting:</b>	PG 29 (1.14") thread with union nut, minimum cutout diameter
<b>Material:</b>	Polycarbonate UL94VO
<b>Protection:</b>	IP45
<b>Color:</b>	RAL 7032 beige

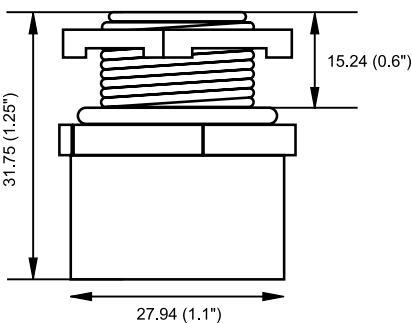


### Breather Kit (Pressure Compensation Plug)



- Packaged individually.
- Provides for controlled pressure compensation due to temperature variations (i.e. night/day operation).
- Recommend two plugs per cabinet in opposite locations.
- Pipe Thread 1/2"NPT (actual dia. 0.84")

Part No. **BDN4XN1**



<b>CSA/A Ex Approvals:</b>	Class I, Zone 1, Ex e II Class I Division 2 Groups ABCD Class II EFG, Class III
<b>Ingress Protection:</b>	IP66, CSA Enclosure Type NEMA 4X
<b>Impact Resistance:</b>	20Nm (7Nm GF Nylon)
<b>Materials:</b>	Durethan BKV 30 N1 30% Glass Filled Nylon O Ring - Nitrile Fixing nut - Brass
<b>Operating Temp:</b>	-50C to +85C

Climate Control

## General Accessories

Hardware

**General Accessories**
**Hardware**

### Heavy Duty Door Clamping Hardware



- New note style replacement hardware for use on 1418N4, 1418N4SS, 1447SN4, and 1447SN4SS Hammond enclosures.
- Formed heavy gauge stainless steel.
- Set of two.
- Note: Old style (no notch) available, Part No. 1481C18

Part No. **1481HC18**

### Junction Box Padlock Kit



- Field installed kit requires drilling of only 4 holes
- Compatible with 1414 Series junction boxes.
- Only available in 316 Stainless Steel.
- Sold Individually.
- Installation Instructions provided

Part No. **14PLKS16**

### Quick Release Clamp



- Provides fast access to conventional screw clamp type enclosures.
- Installs on clamp bracket in place of screw on 1418, 1418N4, 1447N4, and 1422N4 Series enclosures.
- Entire assembly is stainless steel.
- Set of two.

Part No. **1418QR**

### Door Clamping Hardware



- Replacement hardware for use on 1414, 1485, 1486, and 1487 Hammond enclosures.
- Formed heavy gauge stainless steel.
- Set of two

Part No. **1481C14**

### Quick Release Junction Box Clamp



- Installs easily on standard clamp bracket allowing for quick access.
- Compatible with 1414 Series junction boxes. Also 1485 Series wireway and 1486 trough.
- Available in plated or stainless steel.
- Sold Individually.

Part No.	Material
<b>14QR</b>	Plated Steel
<b>14QRSS</b>	304 SS
<b>14QRS16</b>	316 SS

### Lifting or Pull Handles



- Chrome plated steel accessory handles.
- Two 10-32 screws on 1427L, M, and N; 6-32 screws on 1427P and Q.

Part No.	Mtg. Centers	Handle Diameter
<b>1427L</b>	7.00	0.375
<b>1427M</b>	5.25	0.375
<b>1427N</b>	3.50	0.375
<b>1427P</b>	2.81	0.250
<b>1427Q</b>	2.25	0.250

# PF Filter Fans



PF3000 and PF2000

## Description

- This line of fans provides innovative technology for fan cooling and pressurizing of industrial cabinets. A high quality filter fan provides an economical method of ensuring your enclosure does not overheat.
- Filtered passive ventilation can be provided by an exhaust filter for either convection cooling or in combination with a fan in forced air cooling.
- The slim-line design of this fan line is unique, when installed, the front louvered grill protrudes less than one quarter inch. The attractive grill maintains the sleek aesthetics of an enclosure system.

## Standards

- UR, CUR and CE.
- Built to IP54 standards (except PF1000/PFA1000 - IP43 standards).
- Maintains NEMA 12 integrity of enclosure.
- Fan CSA Listed.

## Features

- Available in 115V and 230V versions
- High performance fan motors with finger guards.
- ABS-FR grills (except PF1000 Series which is polystyrene FR).
- Durable, reusable filter mat.
- Grills are black allowing for a complementary match to all cabinet colors.
- Integral gasket to seal against enclosure. (except PF1000 - use PFG1000)

## Easy Installation

- The patented "Click and Fit" system allows for rapid filter fan and exhaust filter installation without screws.
- After using the convenient cutout template (provided with every unit), the fan and/or exhaust filter just snaps into the opening.

## Options

- Reverse flow (exhaust) available on 5,6,7000 models

## Accessories

- Exhaust filters...see page 410
- Replacement grills...see page 410
- Replacement filters...see page 410

Climate Control

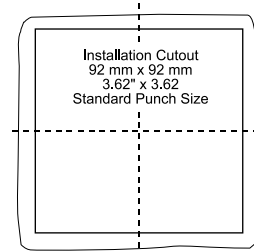
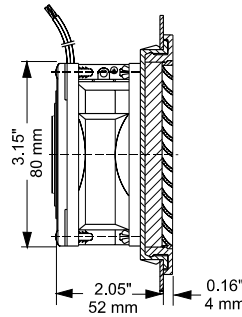
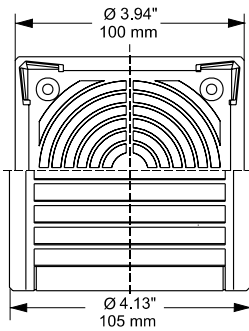
Part No.	Voltage	Free Flow Air Delivery (CFM)	Air Delivery w/Exhaust (CFM)	Max. Static Pressure (Pa)	Filter Density (g/m <sup>2</sup> )	Filtering Level	Sound Level (dB)	Connector Type	Ambient Temp. °F Max/Min	Comparable IP Standard	Ship Wt. lbs
PF1000	115	16	10	29	150	73%	39	2 - 12" wires	140/14	IP43	1.5
PF2000	115	38	28	69	150	73%	49	terminal strip	122/14	IP54	2
PF2500	115	89	62	57	150	73%	55	terminal strip	122/14	IP54	4
PF3000	115	169	142	89	150	73%	55	terminal strip	122/14	IP54	4
PF5000	115	324	249	205	150	73%	69	terminal strip	122/14	IP54	7
PF6000	115	410	295	225	150	73%	71	terminal strip	122/14	IP54	8
PF7000	115	506	368	158	150	73%	72	terminal strip	122/14	IP54	8
PF1000230	230	16	10	29	150	73%	39	2 - 12" wires	140/14	IP43	1.5
PF2000230	230	38	28	69	150	73%	49	terminal strip	122/14	IP54	2
PF2500230	230	89	62	57	150	73%	55	terminal strip	122/14	IP54	4
PF3000230	230	169	142	89	150	73%	55	terminal strip	122/14	IP54	4
PF5000230	230	324	249	205	150	73%	69	terminal strip	122/14	IP54	7
PF6000230	230	410	295	225	150	73%	71	terminal strip	122/14	IP54	8
PF7000230	230	506	368	158	150	73%	72	terminal strip	122/14	IP54	8

Technical references and DXF downloads available at www.hamfmfg.com

All dimensions in inches unless specified otherwise

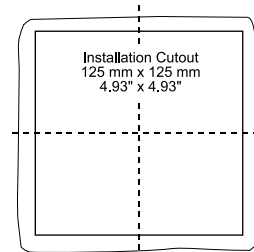
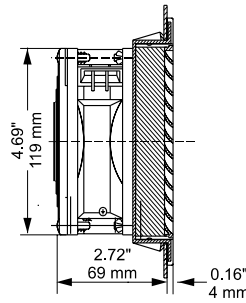
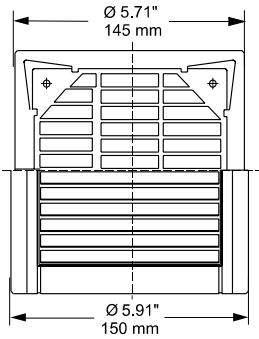
# PF Filter Fans

## Mechanical Data: PF 1000



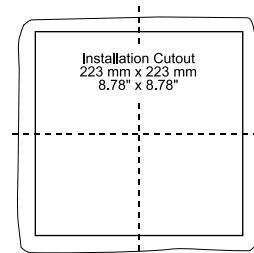
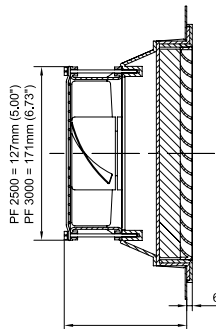
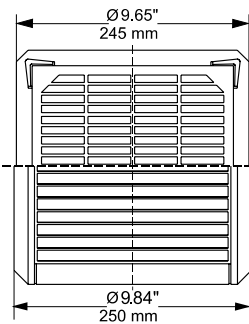
Installation Cutout

## PF 2000



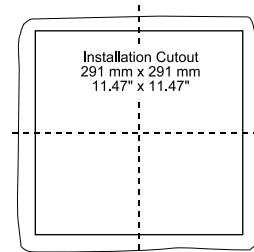
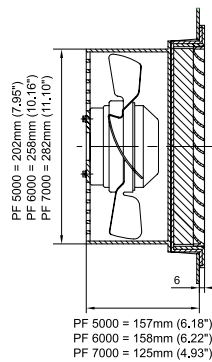
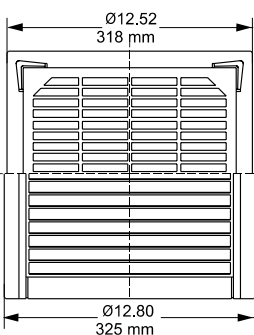
Installation Cutout

## PF 2500 & 3000



Installation Cutout

## PF 5000, 6000 & 7000



Installation Cutout

Note: All cutout tolerances +1/- 0 mm

Climate Control

## Fan Accessories



### Exhaust Filters

- Built to IP54 standards (except PFA1000 - IP43 standards).
- ABS-FR grills (except PF1000 Series which is polystyrene FR).
- Self-extinguishing, re-usable filter mat.
- Grills are black to complement all cabinet colors.
- Grills also available (see below)
- Integral gasket seals against enclosure.

Part No.	Filter		
	Density (g/m <sup>2</sup> )	Filtering Level	Comparable IP Standard
<b>PFA1000</b>	150	73%	IP43
<b>PFA2000</b>	150	73%	IP54
<b>PFA3000</b>	150	73%	IP54
<b>PFA5000</b>	150	73%	IP54



### Replacement Grill

- Packaged individually.
- Consists of replacement grill only.

Black Part No.	RAL7032 Beige Part No.	Use With Filter Fan	Use With Exhaust Filter
<b>PG1BK</b>	<b>PG1RAL</b>	PF1000	PFA1000
<b>PG2BK</b>	<b>PG2RAL</b>	PF2000	PFA2000
<b>PG3BK</b>	<b>PG3RAL</b>	PF2500/PF3000	PFA3000
<b>PG5BK</b>	<b>PG5RAL</b>	PF5000/PF6000/PF7000	PFA5000



### Replacement Filters

- Packaged in quantities of 5.
- Made of self-extinguishing synthetic fibers.

Part No.	Dimensions			Use With Filter Fan	Filter Density (g/m <sup>2</sup> )
		A	B		
<b>PFF1000</b>	inch	3.40	3.40	PF1000	150
	mm	85	85		
<b>PFF2000</b>	inch	4.50	4.50	PF2000	350
	mm	115	115		
<b>PFF3000</b>	inch	8.30	8.30	PF2500/PF3000	350
	mm	210	210		
<b>PFF5000</b>	inch	11.00	11.00	PF5000/PF6000/PF7000	350
	mm	280	280		

Climate Control

## Call Hammond for other Cooling Solutions....

- Intergral Door Air Conditioners
- Air/Water Heat Exchangers
- Custom Air/Air Heat Exchangers
- EMC Filter Fans
- other customer cooling solutions through our knowledgeable Pfannenbergl experts

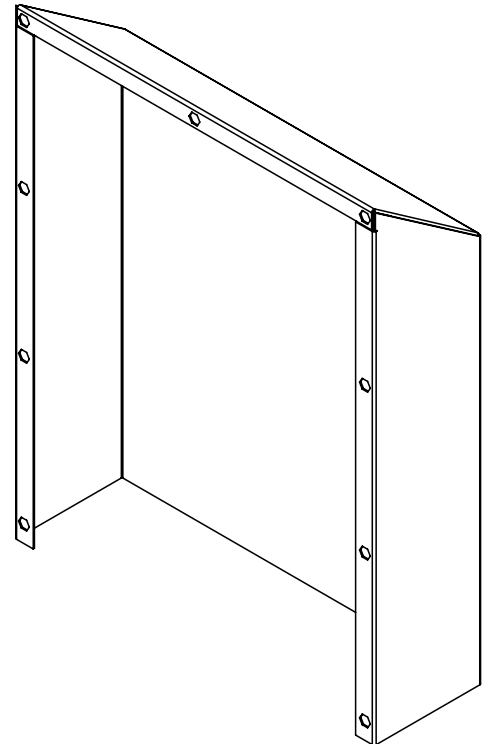
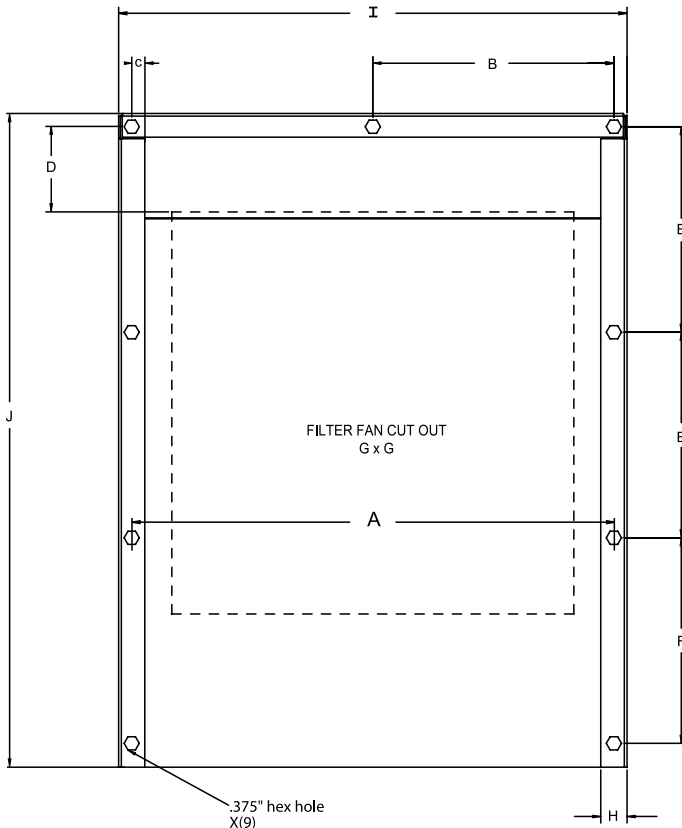
## Filterfan Rainhoods - NEMA 3R



### Applications

- NEMA 3R / Outdoor Rainhoods Standard Filterfans
- Fits sizes PF 2000, PF 25/3000 & PF 5/6/7000 Units
- 304 Stainless Steel Design for use on Washdown NEMA 4X enclosures
- Due to dust protection regulations, NEMA 4/4X rating on these systems is not possible.
- Gasket and sealing washers included.

Part No.	Goes With	Color
<b>PFRH2000LG</b>	PF/PFA2000	RAL7035
<b>PFRH2000GY</b>	PF/PFA2000	ANSI 61 Grey
<b>PFRH2000SS</b>	PF/PFA2000	304 Stainless Steel
<b>PFRH3000LG</b>	PF/PFA2500/3000	RAL7035
<b>PFRH3000GY</b>	PF/PFA2500/3000	ANSI 61 Grey
<b>PFRH3000SS</b>	PF/PFA2500/3000	304 Stainless Steel
<b>PFRH5000LG</b>	PF/PFA5000/6000/7000	RAL7035
<b>PFRH5000GY</b>	PF/PFA5000/6000/7000	ANSI 61 Grey
<b>PFRH5000SS</b>	PF/PFA5000/6000/7000	304 Stainless Steel



*Climate Control*

Series No.	A	B	C	D	E	F	G	H	I	J
<b>PFRH2000</b>	6.85	N/A	0.97	1.48	4.75	N/A	4.92	0.75	7.60	10.56
<b>PFRH3000</b>	10.79	5.39	1.00	2.50	6.82	N/A	8.78	0.75	11.54	14.69
<b>PFRH5000</b>	13.74	6.87	1.14	2.15	5.86	5.86	11.45	0.75	14.49	18.63

Technical references and DXF downloads available at [www.hamfmg.com](http://www.hamfmg.com)

All dimensions in inches unless specified otherwise

**Quality Enclosures. Service Excellence.**

## Filtered Fan Boxes and Filter Grills



Filtered Fan Box



Filter Grill

### Description

- In a typical cooling arrangement, the filtered fan box pulls air into the enclosures and the filter grill is used as an air outlet.
- The washable aluminum filter grill and the air filter are easily accessible and can be removed for cleaning.
- The filtered fan boxes are available in either 115 VAC or 230 VAC, 50/60 Hz.
- Filtered passive ventilation can be provided by an exhaust filter for either convection cooling or in combination with a fan in forced air cooling.

### Standards

- UR/CUR/CE approved fan motors.
- CSA listed on fan only.

### Features

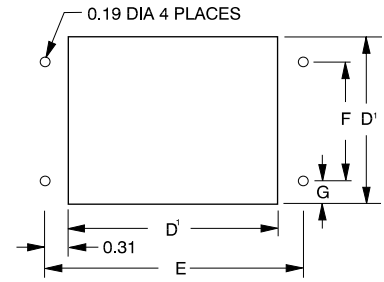
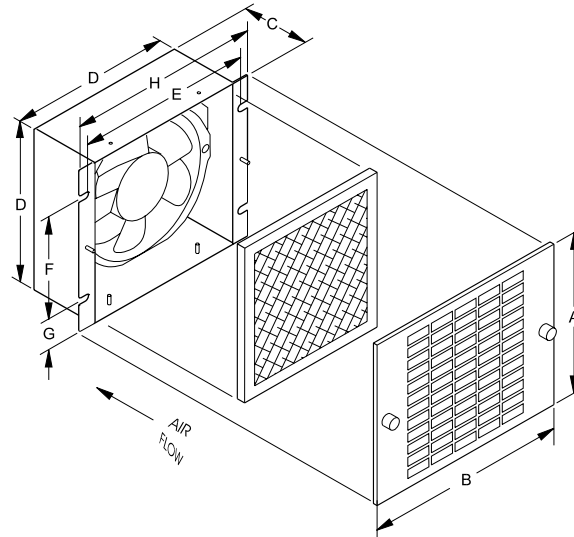
- 115 VAC or 230 VAC, 50/60 Hz.
- 12" lead wires.
- Exceptionally quiet operation.
- Versatile mounting and adaptability.
- Heavy-gauge steel construction.
- Attractive stainless steel grills.
- Shipped with air flow to pressurize. Can be user modified to exhaust.
- Aluminum filter is coated with adhesive baffle surfaces for dust and dirt collection. Can be recoated after cleaning for optimum performance.
- Drilling template included.
- NOTE: One grill and filter are included with each fan package. Normally, an additional exhaust grill and filter are required for each installation and must be ordered separately.

### Accessories

- Filter coat...see page 413
- Replacement Filter...see page 413



# Filtered Fan Boxes and Filter Grills



**Cutout Detail**

## Filtered Fan Boxes

Part No.	Free Flow Air Delivery		RPM Nominal	Running Amps	Watts	A	B	C	D	D <sup>1</sup>	E	F	G	H	Ship Wt. lbs
	CFM	Volts													
<b>XF4115</b>	105	115	3000	0.18	15	6.13	7.38	2.38	5.63	5.75	6.38	4.13	0.78	7.0	5
<b>XF4230</b>	105	230	3000	0.09	15	6.13	7.38	2.38	5.63	5.75	6.38	4.13	0.78	7.0	5
<b>XF6115</b>	220	115	3300	0.29	33	7.63	8.88	3.00	7.13	7.25	7.88	4.50	1.34	8.5	6
<b>XF6230</b>	220	230	3300	0.15	33	7.63	8.88	3.00	7.13	7.25	7.88	4.50	1.34	8.5	6
<b>XF10115</b>	560	115	1600	0.87	60	11.63	13.00	4.56	11.13	11.25	11.88	6.88	2.16	12.5	12
<b>XF10230</b>	560	230	1600	0.45	60	11.63	13.00	4.56	11.13	11.25	11.88	6.88	2.16	12.5	12

## Exhaust Grill and Filters

Part No	A	B	D	E <sup>1</sup>	F <sup>1</sup>	H <sup>1</sup>
<b>XFG4</b>	6.13	7.38	5.63	6.38	4.13	7.00
<b>XFG6</b>	7.63	8.88	7.13	7.88	4.50	8.50
<b>XFG10</b>	11.63	13.00	11.13	11.88	6.88	12.50

## Replacement Filters

Part No	Pkg. Qty.
<b>XFF4</b>	3
<b>XFF6</b>	3
<b>XFF10</b>	3

<sup>1</sup> Dimension for mounting and cabinet cutout. Secure sheet metal with #8 hardware.

Climate Control



## Filter Coat

- Provides a filter adhesive with a grease-like consistency which absorbs and traps dust particles.
- 10 oz. bottle with environmentally friendly trigger spray.

Part No. **1475Q**

## Fan Kits



### Filter Fan Grills

- Mounts easily with 4 screws using the template provided.
- All mounting hardware included.
- Standard 80mm/3.15" and 120mm/4.00" fans can be attached with hardware provided to make a filter fan.
- Can be used alone as an enclosure exhaust.
- Moulded in flame retardant ABS.
- Flame retardant synthetic filter supplied.
- Integral gasket on reverse of grill seals against enclosure surface.
- Available in black, RAL7032 beige and ASA61/RAL7011 gray to match enclosures.

### Accessories

- Spare hardware kit, Part No. **1421F4**

Black Part No.	Beige Part No.	Gray Part No.	H	W	Optional Compatible Fan Part No.	Size	CFM	Repl. Filter (pkg, 5)
XPFA80BK	XPFA80CG	XPFA80GY	4.13	4.13	FAN80AC115	80mm/3.15"	32	PFF1000
XPFA120BK	XPFA120CG	XPFA120GY	5.91	5.91	DNMF100AC115	120mm/4.70"	102	PFF2000

**Climate Control**

## AC Fans and Guards



### Fan Cords and Daisy Chains (10 amp, 115V)

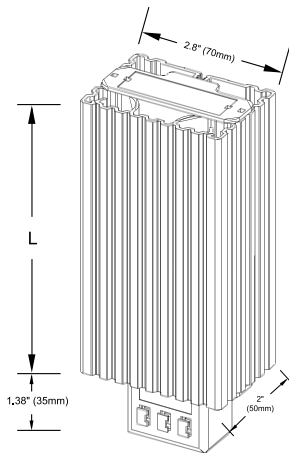
Part No.	Description	Lead Length (In)	Connector	Fan End Termination
DNMFC	Fan Cord	24"	Straight	none
DNFC48P	Fan Cord	48"	45°	2 pin 115V plug
DNFC72P	Fan Cord	72"	45°	2 pin 115V plug
DNFDC2P	Daisy Chain	24"	2x45°, 24" apart	2 pin 115V plug
DNFDC3P	Daisy Chain	24"	3x45°, 24" apart	2 pin 115V plug

Part No.	Size (mm)	Size (In.)	CFM	AC Voltage	Use Fan Guard	Use Filter Fan Grill
FAN80AC115	80	3.15	32	115	FAN80FG	XPFA80... <sup>1</sup>
FAN80AC230	80	3.15	32	230	FAN80FG	XPFA80... <sup>1</sup>
DNMF100AC115	120	4.70	100	115	DNFG	XPFA120... <sup>1</sup>
DNMF100AC230	120	4.70	100	230	DNFG	XPFA120... <sup>1</sup>
FAN150AC115	150	6.00	210	115	FAN150FG	n/a
FAN150AC230	150	6.00	210	230	FAN150FG	n/a
FAN10A115	255	10.00	550	115	FAN10FG	n/a
FAN10A220	255	10.00	550	230	FAN10FG	n/a

<sup>1</sup>"..." specify color - BK (black), CG (RAL 7032) or GY (ASA61 gray)

UL recognized, CSA listed, CE certified

# Heating Products



## Heaters

- Designed to provide enclosed electronic, pneumatic, hydraulic and mechanical equipment with protection from low temperatures, condensation and corrosion.
- The PTC (Positive Temperature Coefficient) heater unit maintains a stable temperature environment within enclosures, allowing critical components to perform with consistent reliability for longer periods.
- Heating power adjusts to ambient temperature
- Push connectors for quick and easy wiring

Part No.	Watts <sup>1</sup>	Max. Current <sup>2</sup>	L (in.)	Ship Wt lbs
SHG14000	15 W	1.5 A	2.56	1
SHG14001	30 W	3.0 A	2.56	1
SHG14003	45 W	3.5 A	2.56	1
SHG14005	60 W	2.5 A	5.51	1
SHG14006	75 W	4.0 A	5.51	1
SHG14007	100 W	4.5 A	5.51	2
SHG14008	150 W	8.0 A	8.46	2

<sup>1</sup> At 68°F (20°C) ambient temperature.      <sup>2</sup> Inrush current

<b>Operating Voltage:</b>	AC/DC 110 - 250 V
<b>Heating Element:</b>	PTC resistor, self regulating
<b>Heating Body:</b>	Anodized extruded aluminum
<b>Connection:</b>	Push-type terminals for stranded and solid wire 3 x AWG 20 AWG 16 (0.5 - 1.5 mm <sup>2</sup> )
<b>Mounting:</b>	Easily installed by clip mounting on 35 mm DIN rails (included)
<b>Protection Class:</b>	I, test voltage 1600 V
<b>Protection:</b>	IP20
<b>Approval:</b>	UL Recognized Component, cUL Recognized Component, CE

## Fan Heaters

- For use when larger heating capacities or internal forced air circulation is required.
- Designed to prevent condensation or maintain minimum temperature in enclosures.
- Thermostats are also available.



Part No.	Watts	Surface Temperature	Starting Current	Dimensions L x W x D	Ship Wt. lbs
SHGL04600	250 W	167°F	2.2 A	7.00 x 3.15 x 3.15	2
SHGL04601	400 W	167°F	3.5 A	9.76 x 3.15 x 3.15	3

<b>Operating Voltage:</b>	AC 110-120 V, 50/60 Hz
<b>Circulation Power:</b>	20 CFM Free Blowing
<b>Axial Fan:</b>	Ball bearing
<b>Durability:</b>	30,000 hrs. at 68°F ambient temperature
<b>Heating Element:</b>	Resistance heating element with temperature limiter
<b>Heating Body:</b>	Extruded aluminum, black anodized
<b>Connection:</b>	3 pole terminal for 12 AWG
<b>Mounting:</b>	Easily installed by clip mounting on 35 mm DIN rails (included)
<b>Protection Class:</b>	1 (tested for grounding at 1250 V)
<b>Protection:</b>	IP20
<b>Approval:</b>	UL Recognized Component, cUL Recognized Component, CE

Technical references and DXF downloads available at [www.hamfmg.com](http://www.hamfmg.com)

All dimensions in inches unless specified otherwise

Climate Control

## Heating Products



### Control Panel Heater

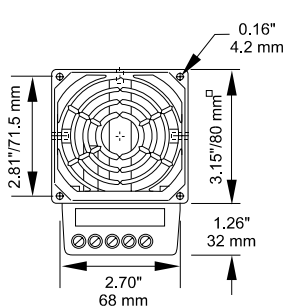
- When larger heating capacities or internal forced air circulation is required and space is limited.
- Compact design to prevent condensation or maintain minimum temperature in enclosures.
- Fan is included.
- Thermostats available

Part No.	Watts	Operating Current (Amps)	Volts	Temperature Maximum with Fan	Ship Wt. lbs.
SHV031029	100 W	0.89	AC 120	250°F/120°C	1
SHV031039	150 W	1.30	AC 120	320°F/160°C	1
SHV031139	200 W	1.79	AC 120	250°F/120°C	1
SHV031149	300 W	2.62	AC 120	320°F/160°C	1
SHV031159	400 W	3.45	AC 120	360°F/180°C	1

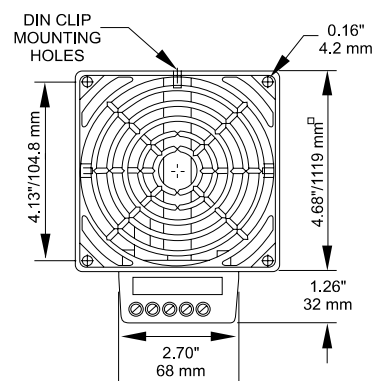
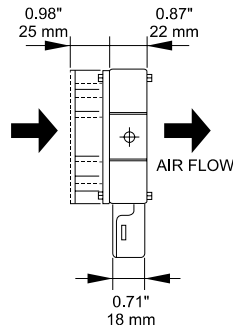


<b>Operating Voltage:</b>	AC 110 -120 V 50/60 Hz
<b>Air Flow:</b>	20 CFM (100W, 150W heaters), 63 CFM (200W, 300W, 400W heaters)
<b>Axial Fan:</b>	Ball bearing
<b>Durability:</b>	30,000 hrs. at 68°F ambient temperature
<b>Heating Element:</b>	Cartridge heater
<b>Heating Body:</b>	Die cast aluminum
<b>Connection:</b>	5 pole terminal for 14 AWG (maximum)
<b>G/L1/N1:</b>	Heater
<b>L2/N2:</b>	Fan
<b>Mounting:</b>	Easily installed by clip mounting on 35 mm DIN rails (included)
<b>Protection class:</b>	1 (tested for grounding at 1250 V)
<b>Protection:</b>	IP44
<b>Approval:</b>	UL Recognized Component, cUL Recognized Component, CE

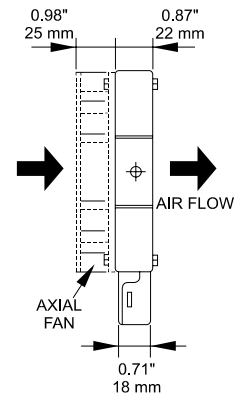
Climate Control



**100 W, 150 W Heaters**



**200 W, 300 W, 400 W Heaters**



## Heating Products



### High Wattage Fan Heater

- For large heating capacity requirements.
- Maintains minimum operating temperatures in enclosures.
- Helps prevent failures to components caused by condensation and corrosion.
- Built-in thermostat and control light.
- Heating power adjusts to ambient temperature.
- Heat exits top of fan heater. (add 2" clearance for heat sensitive parts)

Part No.	Watts	Inrush Current (Amps)	Volts	Temperature Maximum with Fan	Ship Wt. lbs
SCR027009	550 W	11 A	AC 120	250°F/120°C	2
SCR027009230	550 W	13 A	AC 230	250°F/120°C	2
SCR027019	650 W	12 A	AC 120	320°F/160°C	2.4

Air Flow:	20 CFM (550W), 26 CFM (650W)
Thermostat Range:	32 - 140 degrees Fahrenheit
Heating Element:	PTC - Semiconductor/resistor
Housing:	Plastic, rated UL94-VO
Connection:	3 pole terminal, AWG 14 max (2.5 mm <sup>2</sup> )
Mounting:	Clip for 35mm DIN rail
Protection Class:	II (Double Insulated)
Protection Type:	IP20
Approval:	UL Recognized Component, cUL Recognized Component, CE

### Fan Heater with Thermostat

- Designed to prevent condensation or maintain minimum temperature in enclosures.
- Built in Thermostat. (-18 C to +38 C) (0 F to +100 F)
- Fan Auto/On switch with pilot light for Heat On indication
- 20 CFM airflow
- High temperature safety protection
- Aluminum alloy outer casing
- Connection via terminal block.



Part No.	Watts	Voltage	Overall Dimensions Height x Width x Depth	Ship Wt. lbs
FLHTF125A115	125 W	120V	5.5" x 4.0" x 5.3"	2.2
FLHTF125A230	125 W	240V	5.5" x 4.0" x 5.3"	2.2
FLHTF200A115	200 W	120V	5.5" x 4.0" x 5.3"	2.2
FLHTF200A230	200 W	240V	5.5" x 4.0" x 5.3"	2.2
FLHTF400A115	400 W	120V	7.5" x 4.0" x 5.3"	3.0
FLHTF400A230	400 W	240V	7.5" x 4.0" x 5.3"	3.0
FLHTF800A115	800 W	120V	7.5" x 4.0" x 5.3"	3.0
FLHTF800A230	800 W	240V	7.5" x 4.0" x 5.3"	3.0

Climate Control

# General Accessories

## General Accessories

General Accessories



### Touch-Up Spray Paint

- For use in matching standard Hammond colors.
- Provided in 12 oz. spray cans.

### Touch Up - Spray Can

Part No.	Color
1413BKLGS	Black - Low Gloss
1413BKS	Black
1413CGRALS	Beige RAL7032
1413GFS	Gulf Blue
1413LRS	ANSI 61 Gray
1413NS	White
1413LGS	Light Gray 7035



### Louvered Ventilating Plate

- Provides ventilation in enclosures where required.
- Easily installed in the field by cutting a square hole of the proper size and bolting the ventilator in place.
- Finished in gray.
- Hole diameter is 0.22".



Part No.	Plate Size		No. of Louvers	No. of Rows	Louvers Length	Opening Area (in²)
	Height	Width				
1481L44	5.62	5.5	4	1	4	3.0
1481L66	7.87	7.5	14	2	2	2.8
1481L88	10.56	10.5	18	2	4	14.0



### Casters

- Packaged in sets of four.
- 800 lb. load capacity per set.
- 4" swivel casters with brakes.
- Features zinc plated ball bearing pivot, composite wheels.

Part No.	1425D
----------	-------



### 1425 Series Casters

- Packaged in sets of four.
- Feature ball bearing, swivel and hard composition wheels.
- Available for 3 weight capacities.

Part No.	Mfg. Specified Capacity (Set of 4)	Wheel Diameter (inches)
1425B	360	3.0
1425BM	700	3.0
1425BH	1050	3.0



Technical references and DXF downloads available at [www.hammsg.com](http://www.hammsg.com)

All dimensions in inches unless specified otherwise

# General Accessories

## Panel Accessories

General Accessories Panels



### Terminal Kits for 1414/EJ/PJ Series Enclosures

- Used to provide convenient mounting for terminal blocks in 1414 Series enclosures and some sizes of "PJ" Series enclosures.
- Finished in white.

#### Bracket Assembly

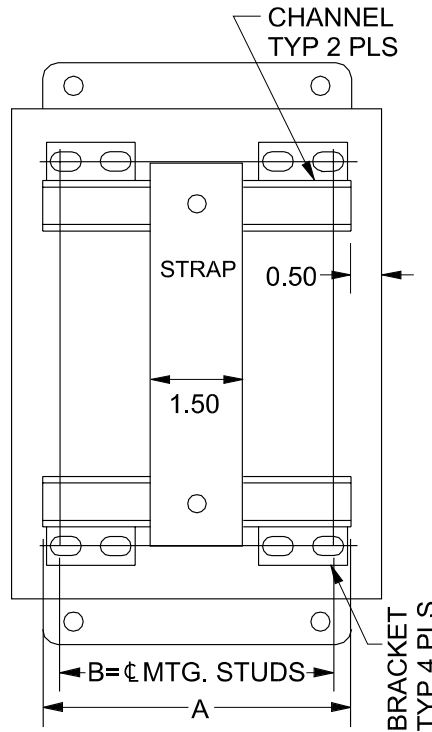
- Each kit consists of two brackets.
- "C" channel construction provides easy alignment of terminal straps.

#### Terminal Strap

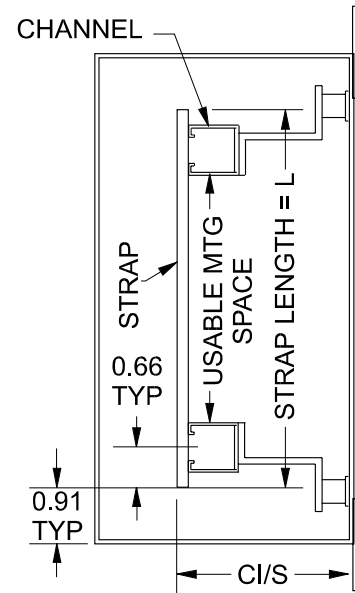
- 1.5" wide x 0.187" thick steel.
- Each strap includes spring locking hardware.
- Countersunk holes in straps provide extra terminal mounting space.

#### How to Order

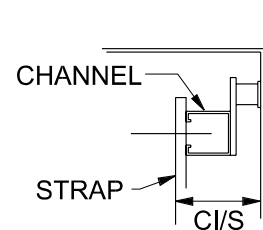
- Each enclosure requires one bracket assembly kit and the required number of straps (Strap Part No. corresponds to enclosure dimension "A" and is mounted parallel to same, Bracket Part No. corresponds to enclosure dimension "B" and is mounted parallel to same).
- Example: For a PJ864L enclosure, order one 14B6 bracket assembly and a minimum of one 14B8 terminal strap kits. Additional terminal strap kits will provide additional mounting space.



Front View



Side View

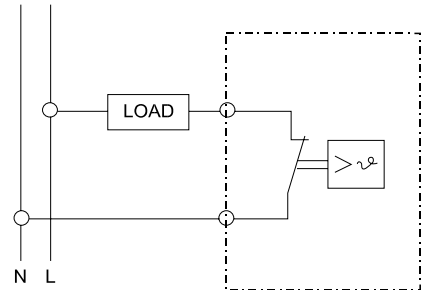


Detail A

Single Strap Part No.	L= Length	Usable Mounting Space	Bracket (Pair) Part No.	Width of Box	A	B	C	Fits PJ Enclosure
14S8	6.19	4.30	14B6	6	5	4.25	1.55	PJ864... <sup>1</sup>
14S10	8.19	6.30	14B8	8	7	6.25	1.55	PJ1086... <sup>1</sup>
14S12	10.19	8.30	14B10	10	9	8.25	2.79	PJ12106... <sup>1</sup>
14S14	12.19	10.30	14B12	12	11	10.25	2.79	PJ14126... <sup>1</sup>
14S16	14.19	12.30	14B14	14	13	12.25	2.79	PJ16148... <sup>1</sup>

<sup>1</sup> Compatible with all latch types

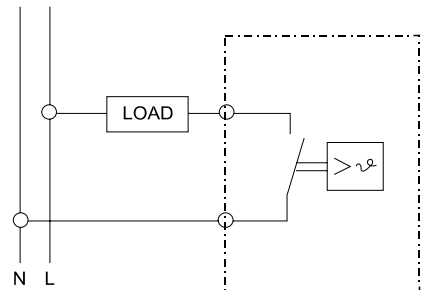
Accessory Products



**NC - Normally Closed (Red)**

Used in conjunction with heaters.

Contact opens when rising temperatures reach the set point temperature shutting heater off.



**NO - Normally Open (Blue)**

Used in conjunction with fans.

Contact closes when rising temperatures reach the set point temperature turning fan on.

Climate Control

**Thermostat**

- Designed to provide air temperature control and monitoring in cabinets.
- Thermostat NC (Normally Closed) for the control of heaters and heater fans.
- Thermostat NO (Normally Open) for the control of cooling units, or for switching signal transmitters in case of overheating.
- Available in Fahrenheit or Celsius.

<b>Sensor Element:</b>	Thermostatic bi-metal
<b>Switching difference (hysteresis):</b>	±4°F (±3°K)
<b>Adjustment Range:</b>	30-140°F
<b>Connection:</b>	2 pole terminal for AWG 14 (2.5mm <sup>2</sup> )
<b>Mounting:</b>	Easily installed by clip mounting on 35 mm or 38 mm DIN rails (included)
<b>Housing:</b>	Flame retardant plastic UL94VO
<b>Color:</b>	Gray (SB)
<b>Protection:</b>	IP20
<b>Approval:</b>	UL Recognized Component , cUL Recognized Component, CE, CSA Listed

Part No.	Scale	Contact Type	Dimensions Height x Width x Depth	Switching Capacity	Ship Wt. lbs
SKT011409NC	°F	Normally Closed	2.4 x 1.6 x 1.4	15 A (1) AC 120 V, 10 A (1) AC 250 V	1
SKT011409NC-C	°C	Normally Closed	2.4 x 1.3 x 1.4	15 A (1) AC 120 V, 10 A (1) AC 250 V	1
SKT011419NO	°F	Normally Open	2.4 x 1.6 x 1.4	15 A (1) AC 120 V, 10 A (1) AC 250 V	1
SKT011419NO-C	°C	Normally Open	2.4 x 1.3 x 1.4	15 A (1) AC 120 V, 10 A (1) AC 250 V	1



# General Accessories

## Window Kits

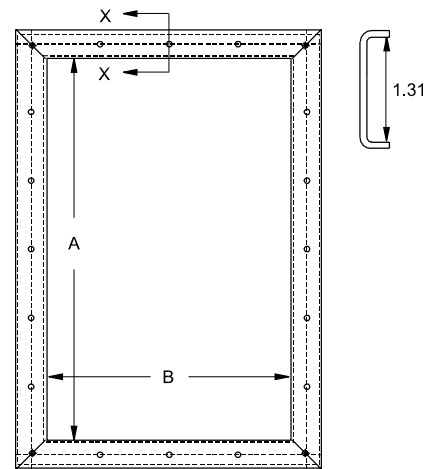
General Accessories

Window Kits



### Steel and Stainless Steel Window Kits

- Designed to maintain environmental protection level of Type 4, 4X (for stainless steel) as noted
- Window is 0.25" thick, UV resistant Polycarbonate.
- Frame is heavy gauge steel, or 304 stainless steel with integral weld studs and compression clips.
- Oil resistant neoprene gasket ensures a watertight seal.
- Finished in gray or natural brushed stainless steel.



Part No.	Material	Window Dimensions		Recommended Cut-Out Size	
		A	B		
1481WN40503 <sup>1</sup>	Steel	5	3.0	6.69	4.69
1481WN40905 <sup>1</sup>	Steel	9	5.5	10.69	7.19
1481WN41303 <sup>1</sup>	Steel	13	3.0	14.69	4.69
1481WN41308 <sup>1</sup>	Steel	13	8.0	14.69	9.69
1481WN41705 <sup>1</sup>	Steel	17	5.5	18.69	7.19
1481WN41711 <sup>1</sup>	Steel	17	11.0	18.69	12.69
1481WN42315 <sup>1</sup>	Steel	23	15.0	24.69	16.69
1481WN42919 <sup>1</sup>	Steel	29	19.0	30.69	20.69
1481WN43523 <sup>1</sup>	Steel	35	23.0	36.69	24.69
1481WN4SS0503 <sup>2</sup>	Stainless Steel	5	3.0	6.69	4.69
1481WN4SS0905 <sup>2</sup>	Stainless Steel	9	5.5	10.69	7.19
1481WN4SS1308 <sup>2</sup>	Stainless Steel	13	8.0	14.69	9.69
1481WN4SS1711 <sup>2</sup>	Stainless Steel	17	11.0	18.69	12.69
1481WN4SS2315 <sup>2</sup>	Stainless Steel	23	15.0	24.69	16.69
1481WN4SS2919 <sup>2</sup>	Stainless Steel	29	19.0	30.69	20.69

<sup>1</sup> UL/ CSA Type 12 and Type 4

<sup>2</sup> UL/ CSA Type 12, Type 4 and Type 4x



### Frameless Window Kits

- Designed for indoor use on Type 12 and 13 enclosures.
- Scratch resistant polycarbonate window is 0.25 inches thick.
- Double sided tape is on the window for easy installation.
- Mounting hardware and template are included.



Part No.	Window Dimensions		Maximum Cut-Out Size	
	A	B		
1481WFL52	5.50	3.00	4.50	2.00
1481WFL133	13.88	3.88	12.88	2.88
1481WFL96	9.62	7.19	8.62	6.19



Technical references and DXF downloads available at [www.hamfmfg.com](http://www.hamfmfg.com)

All dimensions in inches unless specified otherwise

### Panels for N1A Series Enclosures

- 12 and 14 gauge steel finished in white.
- Panels and mounting hardware are included with N1A Series enclosures.

Part No.	Panel		For Use With Enclosure	
	Length	Width	Height	Width
AP1612 <sup>1</sup>	13	10.5	16	12
AP1616 <sup>1</sup>	13	14.5	16	16
AP1620 <sup>1</sup>	13	18.5	16	20
AP2016 <sup>1</sup>	17	14.5	20	16
AP2020 <sup>1</sup>	17	18.5	20	20
AP2024 <sup>1</sup>	17	22.5	20	24
AP2416 <sup>1</sup>	21	14.5	24	16
AP2420 <sup>1</sup>	21	18.5	24	20
AP2424 <sup>1</sup>	21	22.5	24	24
AP3020 <sup>1</sup>	26	18.5	30	20
AP3024 <sup>1</sup>	26	22.5	30	24
AP3030 <sup>1</sup>	26	28.5	30	30
AP3624 <sup>1</sup>	32	22.5	36	24
AP3630 <sup>1</sup>	32	28.5	36	30
AP4224 <sup>1</sup>	38	22.5	42	24
AP4230	38	28.5	45	30
AP4236	38	34.5	42	36
AP4836	44	34.5	48	36

<sup>1</sup> Flat Panel

SPB2 shown

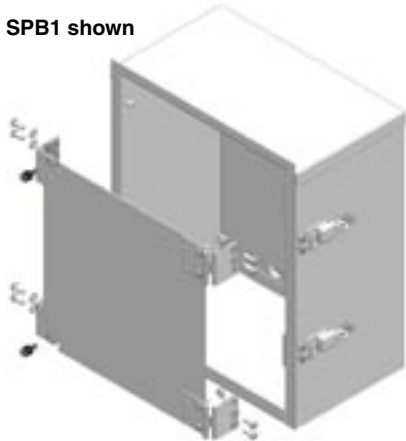


### Swing Panel Kit

- Kits are used as accessory to standard Hammond panels (sold separately)
- Allows panel to be mounted in front part of enclosure
- Hinge permits access behind panel
- Sealing washers preserve approval rating of enclosure

Part #:	<b>SPB1</b>
For use with:	<ul style="list-style-type: none"> <li>• 1414 Series where AxB is 8"x6" or larger</li> <li>• EJ Series where AxB is 8"x6" or larger</li> <li>• C3R-HCLO Series where AxB is 16x12 or smaller</li> <li>• Panel not included</li> </ul>
Part #:	<b>SPB2</b>
For use with:	<ul style="list-style-type: none"> <li>• 1418 Wallmount Series</li> <li>• C3R-HCLO Series where AxB is 16x16 or larger</li> <li>• C3R-HCR Series where AxB is 16x12 or larger</li> <li>• Panel not included</li> </ul>

SPB1 shown



Technical references and DXF downloads available at [www.hammmfg.com](http://www.hammmfg.com)

All dimensions in inches unless specified otherwise

**Quality Enclosures. Service Excellence.**