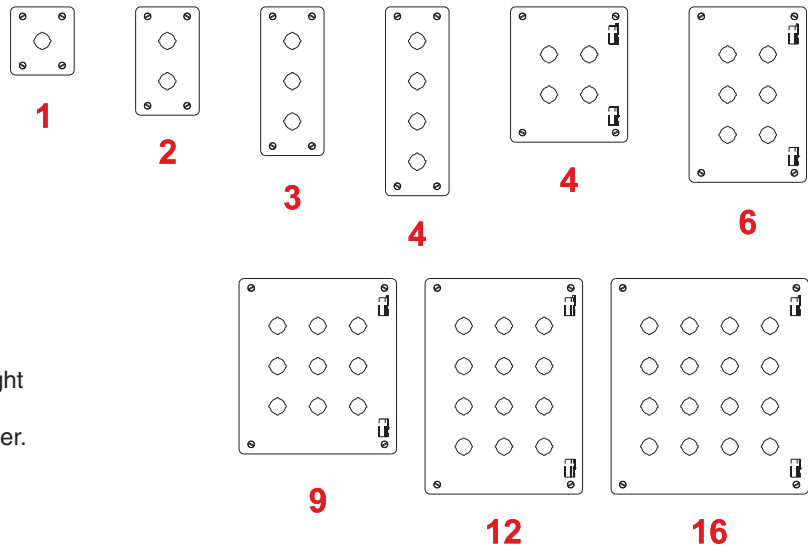


# Pushbutton Enclosures - NEMA 12, 13

## 1435/1435M Series

**Operator Interface Enclosure**


### Application

- Designed to accept standard heavy duty oil tight pushbuttons, switches and pilot lights.
- Provides protection from dirt, dust, oil and water.

### Standards

- UL 508 Type 12 and 13
- CSA Type 12 and 13
- **Complies with**
  - NEMA Type 12 and 13
  - JIC standard EGP-1-1967
  - IEC 60529, IP54
- Appropriate components are required to maintain these standards.

### Construction

- Formed 14 gauge steel except A and B which are 16 gauge.
- Smooth continuously welded seams.
- Welded brackets provide for enclosure mounting.
- Captive cover screws thread into sealed wells.
- Larger enclosures provide internally hinged removable covers, designed to hold the cover open during wiring (see table).
- Oil resistant gasket and adhesive.
- A bonding stud is provided on the door and a grounding stud is provided on the enclosure.

### Finish

- Cover and enclosure are phosphatized and finished in ANSI 61 gray powder coating.

### Accessories

- Hole plugs...see page [435](#)
- Pedestals...see page [454](#)

Technical references and CAD downloads available at [www.hammondmfg.com](http://www.hammondmfg.com)

All dimensions in inches unless specified otherwise

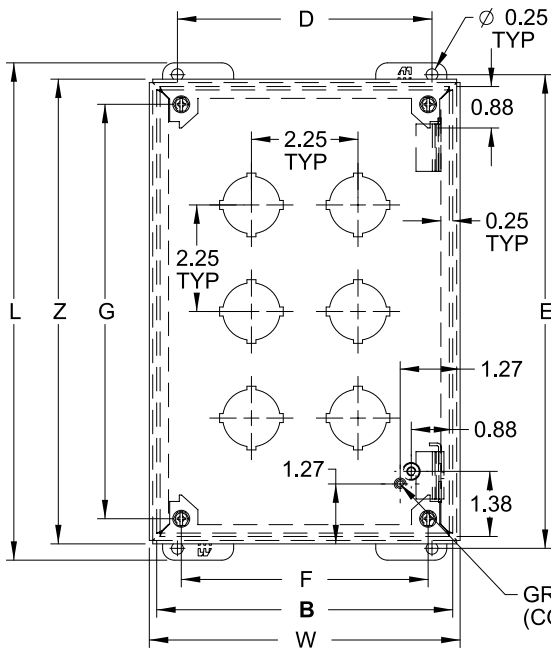
**Pushbutton Enclosures**

# Pushbutton Enclosures - NEMA 12, 13

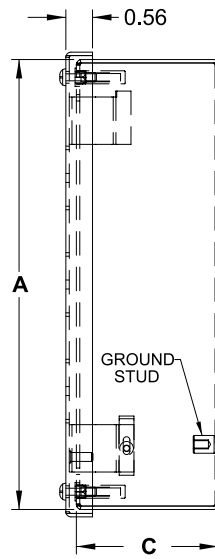
## 1435/1435M Series

Operator Interface Enclosure

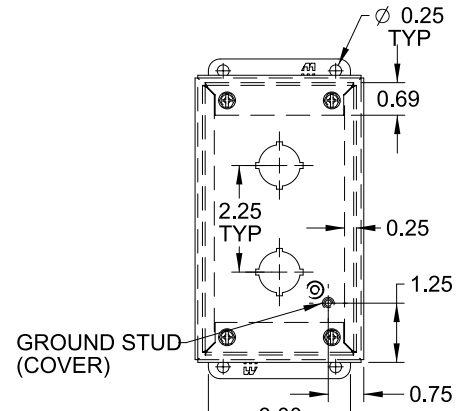
Pushbutton Enclosures



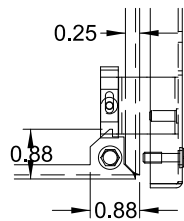
**Front View**  
Body Type F through O  
(Hinged)



**Side View**

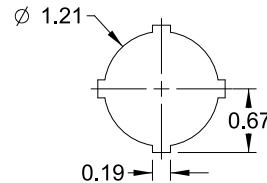


**Front View**  
Body Type A through D  
(Not Hinged)

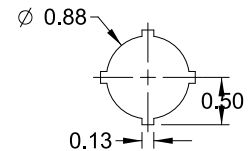


**Hinge Detail**

Retractable pin allows door to be mounted on left or right side



**30.5mm Detail**  
(1435 Series)



**22.5mm Detail**  
(1435M Series)

Part No.		No. of Holes	Overall Dimensions										Ship Wt. lbs.
30.5mm	22.5mm		A	B	C	D	E	F	G	L	W	Z	
1435A <sup>1</sup>	1435MA <sup>1</sup>	1	3.50	3.25	2.75	2.38	4.00	2.21	2.75	4.50	3.56	3.81	2
1435B <sup>1</sup>	1435MB <sup>1</sup>	2	5.75	3.25	2.75	2.38	6.25	2.21	5.00	6.75	3.56	6.06	3
1435C <sup>1</sup>	1435MC <sup>1</sup>	3	8.00	3.25	2.75	2.38	8.50	2.21	7.25	9.00	3.56	8.31	3
1435D <sup>1</sup>	1435MD <sup>1</sup>	4	10.25	3.25	2.75	2.38	10.75	2.21	9.50	11.25	3.56	10.56	4
1435F	1435MF	4	7.25	6.25	3.00	5.38	7.75	5.21	6.50	8.25	6.56	7.56	5
1435H	1435MH	6	9.50	6.25	3.00	5.38	10.00	5.21	8.75	10.50	6.56	9.81	6
1435K	1435MK	9	9.50	8.50	3.00	7.63	10.00	7.46	8.75	10.50	8.81	9.81	7
1435O	1435MO	12	11.75	8.50	3.00	7.63	12.25	7.46	11.00	12.75	8.81	12.06	8
1435S	1435MS	16	11.75	10.75	3.00	9.88	12.25	9.71	11.00	12.75	11.06	12.06	10

<sup>1</sup> Not Hinged

Technical references and CAD downloads available at [www.hammondmfg.com](http://www.hammondmfg.com)

All dimensions in inches unless specified otherwise

**Quality Products. Service Excellence.**