

1486 Series Wiring Trough - NEMA 12



Wireway & Trough

Application

- Designed to enclose and protect multiple wiring junctions from dirt, dust, oil and water.

Standards

- UL 870 Type 1
- CSA Type 1
- **Complies with**
 - NEMA Type 12
 - JIC EGP-1-1967
 - JIC EMP-1-1967
 - IEC 60529, IP54

Construction

- Formed 14 gauge steel.
- Smooth continuously welded seams.
- Butt hinged cover is secured with easily operated screw clamps.
- Oil resistant gaskets are permanently secured.
- 12 gauge external mounting feet are welded to the back.

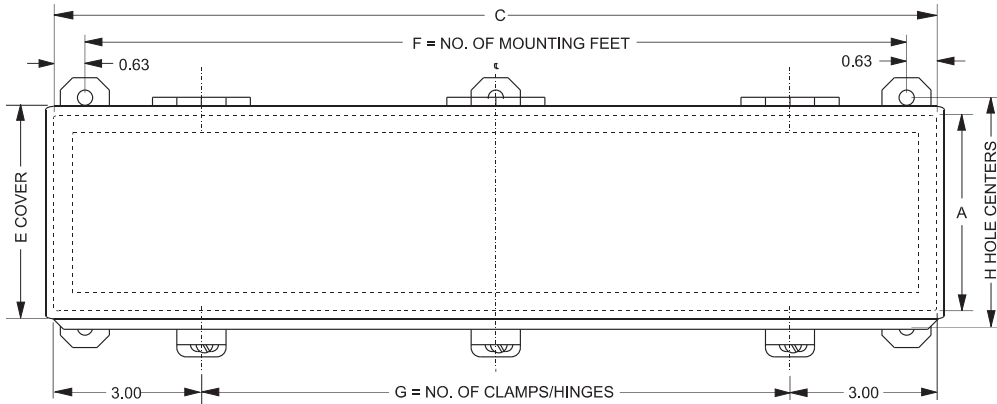
Finish

- Troughs and covers are finished in ANSI 61 gray powder coating.

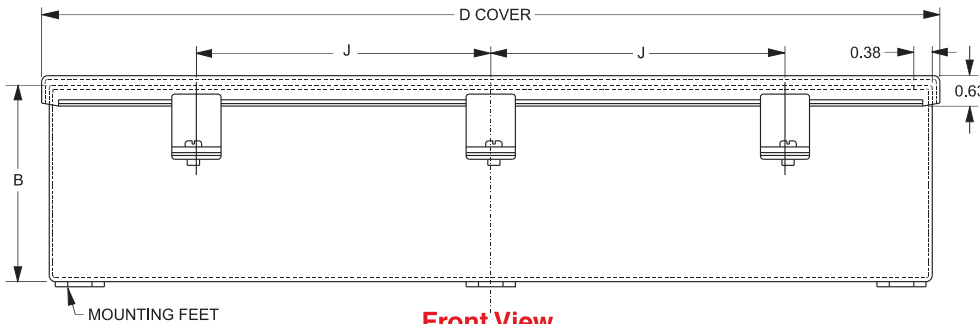
Wiring Trough

1486 Series Wiring Trough - NEMA 12

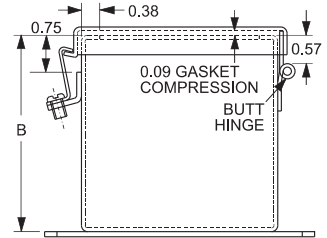
Wiringway & Trough



Top View



Front View



End View

Part No.	Cover Size		Length	Cover Size		F	G	H	J	Ship Wt. lbs.
	A	B		D	E					
1486B12	2.5	2.5	12	12.31	2.84	2	2	3.19	6.00	3
1486B18	2.5	2.5	18	18.31	2.84	2	2	3.19	12.00	5
1486B24	2.5	2.5	24	24.31	2.84	2	3	3.19	9.00	6
1486B30	2.5	2.5	30	30.31	2.84	2	3	3.19	12.00	9
1486B36	2.5	2.5	36	36.31	2.84	2	3	3.19	15.00	10
1486B48	2.5	2.5	48	48.31	2.84	2	3	3.19	21.00	13
1486B60	2.5	2.5	60	60.31	2.84	3	4	3.19	18.00	16
1486B72	2.5	2.5	72	72.31	2.84	3	4	3.19	22.00	19
1486C12	4.0	4.0	12	12.31	4.34	2	2	4.69	6.00	6
1486C18	4.0	4.0	18	18.31	4.34	2	2	4.69	12.00	8
1486C24	4.0	4.0	24	24.31	4.34	2	3	4.69	9.00	10
1486C30	4.0	4.0	30	30.31	4.34	2	3	4.69	12.00	13
1486C36	4.0	4.0	36	36.31	4.34	2	3	4.69	15.00	16
1486C48	4.0	4.0	48	48.31	4.34	2	3	4.69	21.00	20
1486C60	4.0	4.0	60	60.31	4.34	3	4	4.69	18.00	25
1486C72	4.0	4.0	72	72.31	4.34	3	4	4.69	22.00	30
1486D12	6.0	6.0	12	12.31	6.34	2	2	6.69	6.00	9
1486D18	6.0	6.0	18	18.31	6.34	2	2	6.69	12.00	16
1486D24	6.0	6.0	24	24.31	6.34	2	3	6.69	9.00	16
1486D30	6.0	6.0	30	30.31	6.34	2	3	6.69	12.00	19
1486D36	6.0	6.0	36	36.31	6.34	2	3	6.69	15.00	23
1486D48	6.0	6.0	48	48.31	6.34	2	3	6.69	21.00	29
1486D60	6.0	6.0	60	60.31	6.34	3	4	6.69	18.00	32
1486D72	6.0	6.0	72	72.31	6.34	3	4	6.69	22.00	43

Wiring Trough

Technical references and CAD downloads available at www.hammondmfg.com

All dimensions in inches unless specified otherwise

Quality Products. Service Excellence.