



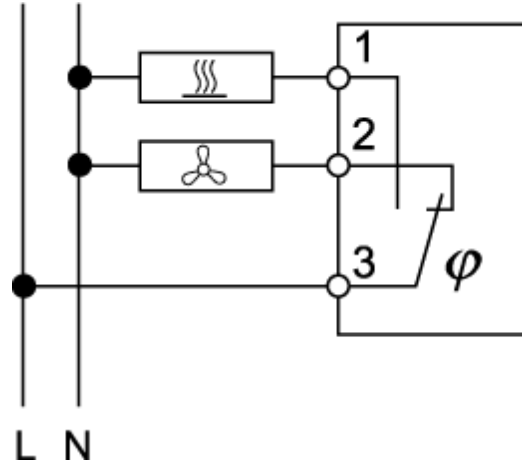
Quality Products. Service Excellence.

Mechanical Humidistat SKH Series



Features

- Mechanical Humidistat regulates the control of heaters or fans whenever the preset level of relative humidity.



| Part No. | Dimensions | Switching Capacity |
|-----------|------------------------|--------------------------|
| | Height x Width x Depth | |
| SKH600NCC | 3.5 x 1.5 x 1.8 | NOC FAN AC 120 V - 2A |
| | | NOC FAN AC 240 V - 2A |
| | | NCC Heater AC 120 V - 5A |
| | | NCC Heater AC 240 V - 5A |
| | | DC 30 Watts |

| | |
|----------------------------|---|
| Control Range: | 40 to 90% r.H. |
| Differential Gap: | Approximately 5% |
| Switch Point Accuracy: | +/- 4% based on 50% r.H. |
| Working Temperature Range: | 30°F to 140°F (0°C to 60°C) |
| Storage Temperature: | -5°F to 180°F (-20°C to 80°C) |
| Type of Contact: | Change-over switch |
| Sensor: | Polyamide band |
| Type of Connection: | 2-pole clamp, For AWG14 (2.5mm ²) |
| Color: | RAL 7035 - Grey |
| Protection Category: | IP20 |
| Mounting: | Easily installed by clip mounting on 35mm DIN rail (7 included) |
| Approval: | CE |

Data subject to change without notice

