

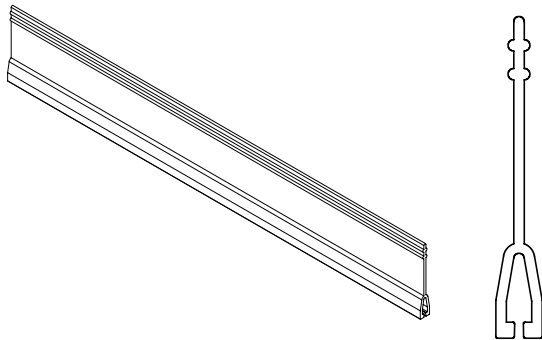
Multi-Channel Raceway

Raceway Dividers

Dividers snap onto raceway base rails for proper power and data separation per UL/CSA.

Features and Benefits

- Raceway and fittings are manufactured from a UL94 V0 rated material to insure compliance with codes.
- All fittings have been designed to maintain the required 1" minimum bend radius to meet TIA/EIA-568-B and 569-A standard.
- Raceway and fittings are UL Listed to 600 Volts to meet new UL5A and CSA 22.2 No. 62-93 standards.



| | |
|------------------------------|-------------------------|
| MATERIAL | Polyvinylchloride (PVC) |
| Flammability | UL 94 V0 |
| Operating Temperature | +122°F (+50°C) |



| PART NO. | TYPE | Description | Length (L) ft (m) | Color | Pkg. Qty. |
|------------|----------|----------------|----------------------|--------------|-----------|
| MCRI-CD8 | MCR-CD8 | Center Divider | 8.0 (2.4) | Ivory | 96 ft |
| MCRFW-CD8 | | Center Divider | 8.0 (2.4) | Office White | 96 ft |
| MCRI-CD10 | MCR-CD10 | Center Divider | 10.0 (3.0) | Ivory | 120 ft |
| MCRFW-CD10 | | Center Divider | 10.0 (3.0) | Office White | 120 ft |
| MCRW-SD8 | MCR-SD8 | Side Divider | 8.0 (2.4) | White | 48 ft |
| MCRW-SD10 | MCR-SD10 | Side Divider | 10.0 (3.0) | White | 60 ft |

Dimensions are approximate and subject to technical changes. Use Part No. for ordering and Type for specification purposes.