

# Thermostatic Radiator Valves and Actuators

## T104 High Capacity Thermostatic Radiator Valve Actuators

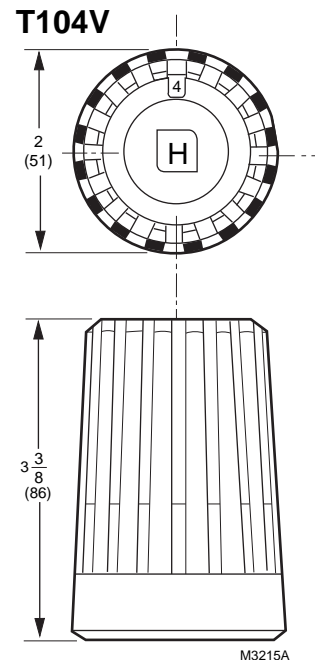
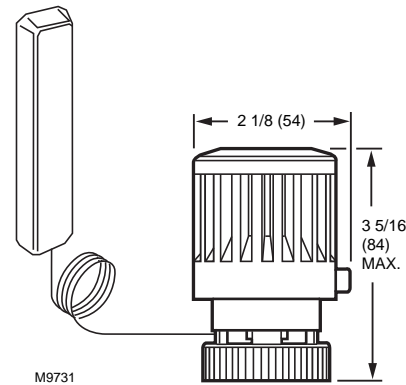
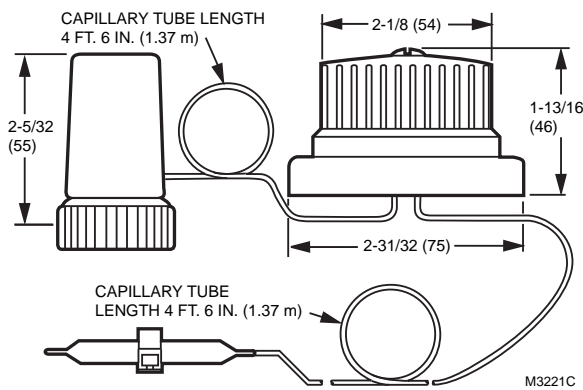
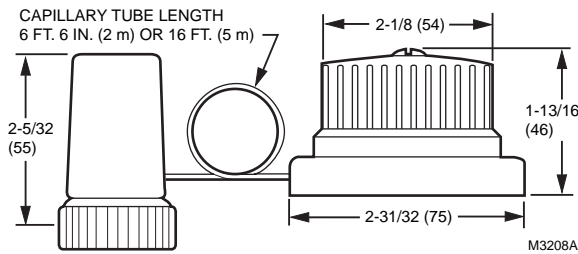
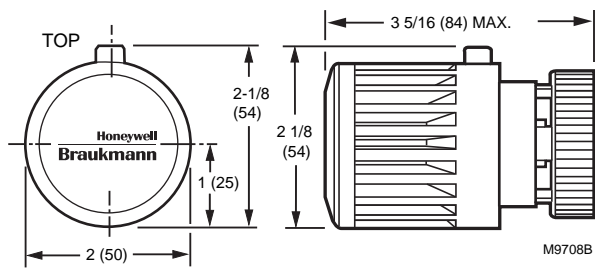


Provide precise and automatic control of room temperature in two-pipe systems by modulating the flow of hot water or steam through free-standing radiators, convectors and other heating units with high capacity requirements.

- Continually monitor and adjust room temperature for consistent comfort and relief from under-heating and overheating.
- Designed with the higher capacity normally required by North American heating systems.

- Valve seat disc, which is made of resilient material (EPDM), ensures tight shutoff on steam or hot water systems.
- Nickel-plated bronze casted body with working parts in cartridge insert for ease of service.
- Controls include sensor, setpoint dial and valve actuator; components may be integral or connected by capillary tubes.
- Require no electrical connections.
- Meet ASHRAE Standard 102-1989.
- 40 mm collar diameter.

### Dimensions in inches (millimeters)



Hydronic Controls

# Thermostatic Radiator Valves and Actuators

**Application:** High Capacity Thermostatic Radiator Actuator  
**Used With Valve:** V110

**Collar Diameter:** 40 mm

Product Number	Application Type	Capillary Length		Temperature Range		Sensor	Setpoint	Comments
		(ft)	(m)	(F)	(C)	Integral or Remote		
T104A1040	Self-contained controller with sensor, setpoint dial and valve actuator in one unit. Adjustable limits. Mount horizontal. Not for use inside enclosures or in locations with restricted airflow around sensor. For V110 valves.	—	—	43 F to 79 F	6 C to 26 C	Integral	Integral	Adjustable Limits
T104B1038	Controller with combined remote setpoint and sensor mounted on a wall. Setpoint/sensor connect with a capillary tube to an actuator, which mounts on the valve body. For V110 valves.	6 ft. 8 in.	2 m	48 F to 79 F	9 C to 26 C	Remote	Remote	—
T104B1046	Controller with combined remote setpoint and sensor mounted on a wall. Setpoint/sensor connect with a capillary tube to an actuator, which mounts on the valve body. For V110 valves.	16 ft	4.9 m	48 F to 79 F	9 C to 26 C	Remote	Remote	—
T104C1036	Controller with remote setpoint and sensor normally mounted with setpoint dial mounted on outside cabinet or enclosure; sensor mounted beneath heating coils in cold air return. Double capillaries. For V110 valves.	Two 4 1/2 ft	Two 1.4 m	48 F to 79 F	9 C to 26 C	Remote	Remote	—
T104F1512	Thermostatic radiator valve controller for use with V110 series valves. With remote temperature sensing and integral set point. Adjustable limits.	6 ft. 8 in.	2 m	43 F to 79 F	6 C to 26 C	Remote	Remote	Adjustable Limits
T104V1422	Self-contained controller with sensor, setpoint dial and valve actuator in one unit. Locks to valve body. Rugged design. Adjustable setpoint under locking cap. Factory set at 68 F (20 C). Mounts horizontal. Not for use in enclosures. For V110 valves.	—	—	43 F to 79 F	6 C to 26 C	Integral	Integral	Vandal Proof

## T104 Thermostatic Radiator Valves Parts and Accessories

Product Number	Description	Used With
P110V1003	Replacement Locking Ring for T104V1422 only (package of 5)	T104V1422;
G111B1053	Bulb guard to protect remote temperature sensors on T104C and T104F controls only	T104C; T104F

## V2000 Series Valve Bodies Cross Reference to V100 Series

Use T100 Actuators With New V2000 Series Valve Bodies

V2000 Series (Current)	V100 Series (Obsolete)	Product Description
V2040DSL15	V100D 1056	1/2 in. TRV Straight Body, Female NPT Inlet, Male NPT Tailpiece Outlet
V2040DSL20	V100D 1064	3/4 in. TRV Straight Body, Female NPT Inlet, Male NPT Tailpiece Outlet
V2040DSL25	V100D 1072	1 in. TRV Straight Body, Female NPT Inlet, Male NPT Tailpiece Outlet
V2043DSL15	V100D 5057	1/2 in. TRV Straight Body, Female NPT Inlet, Sweat Tailpiece Outlet
V2043DSL20	V100D 5065	3/4 in. TRV Straight Body, Female NPT Inlet, Sweat Tailpiece Outlet
V2040ESL15	V100E 1055	1/2 in. TRV Vertical Body, Female NPT Inlet, Male NPT Tailpiece Outlet
V2040ESL20	V100E 1063	3/4 in. TRV Vertical Body, Female NPT Inlet, Male NPT Tailpiece Outlet
V2040ESL25	V100E 1071	1 in. TRV Vertical Body, Female NPT Inlet, Male NPT Tailpiece Outlet
V2043ESL15	V100E 5056	1/2 in. TRV Vertical Body, Female NPT Inlet, Sweat Tailpiece Outlet
V2043ESL20	V100E 5064	3/4 in. TRV Vertical Body, Female NPT Inlet, Sweat Tailpiece Outlet
V2040ASL15	V100F 1054	1/2 in. TRV Horizontal, Female NPT Inlet, Male NPT Tailpiece Outlet
V2040ASL20	V100F 1062	3/4 in. TRV Horizontal, Female NPT Inlet, Male NPT Tailpiece Outlet
V2040ASL25	V100F 1070	1" TRV Horizontal, Female NPT Inlet, Male NPT Tailpiece Outlet
V200LDSL15	V100G 5054	1/2 in. TRV Straight Body, Sweat Inlet, Sweat Outlet No Tailpiece
V200LDSL20	V100G 5062	3/4 in. TRV Straight Body, Sweat Inlet, Sweat Outlet No Tailpiece
V2042HSL10	V100P 1046	1/8 in. TRV (1/2 in. Body With 1/8 in. Adapter) Male NPT Inlet, Female NPT Outlet. One Pipe Steam
V2043HSL10	Y100P 1001	1/8 in. TRV (1/2 in. Body With 1/8 in. Adapter) Male NPT Inlet, Female NPT Outlet. One Pipe Steam Includes SA123A1003
VS1200SL01		Replacement Cartridge New V2000 Series