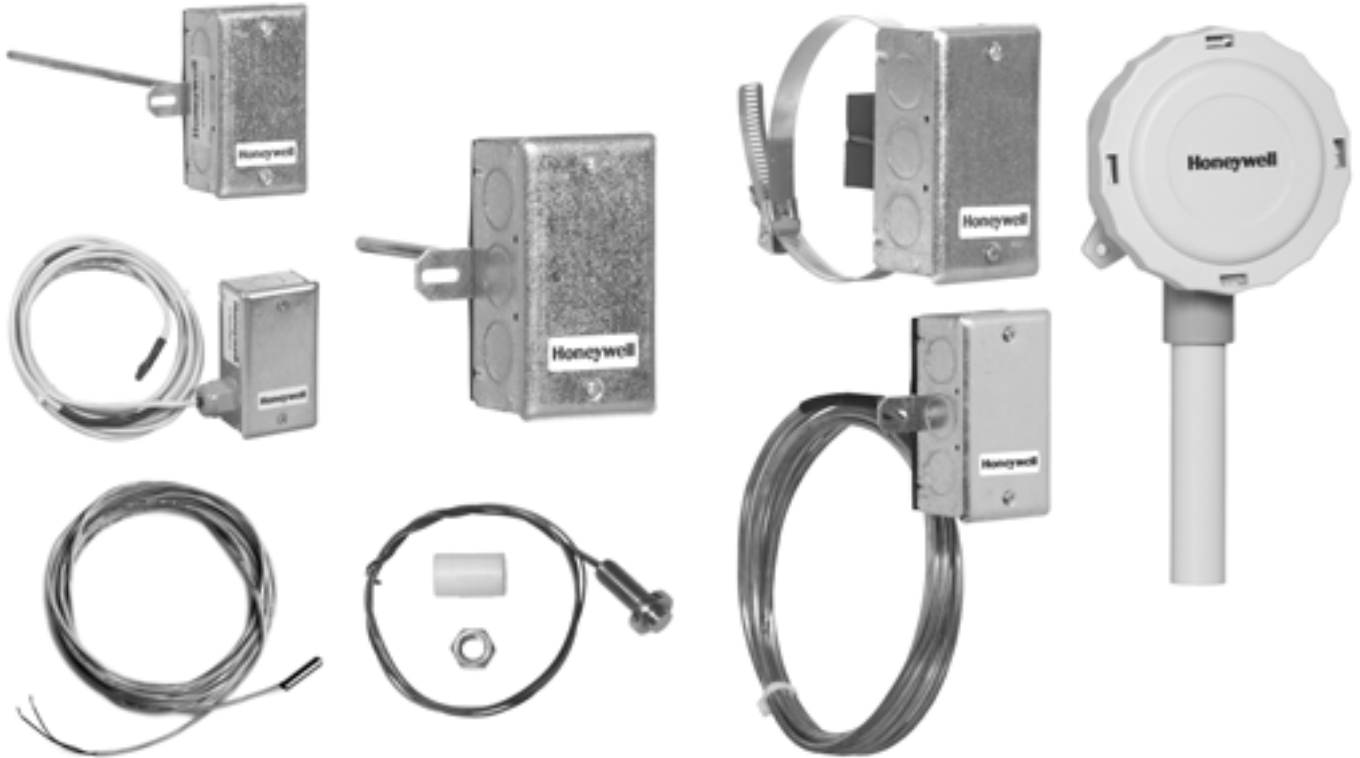


C7021 10K ohm NTC Type II Temperature Sensors



The Series 2000 10K ohm NTC Electronic Temperature Sensors are designed for use with electronic controllers in domestic or commercial heating and cooling systems.

- B and C Model sense duct air temperature
- D models for immersion mounting sense water temperature
- F models sense outdoor air temperature and are weatherproof for outdoor use (knockouts allow for 1/2 in. conduit connection).
- J and R models sense average duct air temperature
- K models with strap-on mounting senses water temperature
- P models sense air temperature
- Solid state components not affected by dust or dirt

Sensor Type: 10 K ohm NTC @ 77 F Type II

Maximum Ambient Temperature: 302 F (150 C)

Shipping Temperature Range: -30 F to +160 F (-34 C to +71 C)

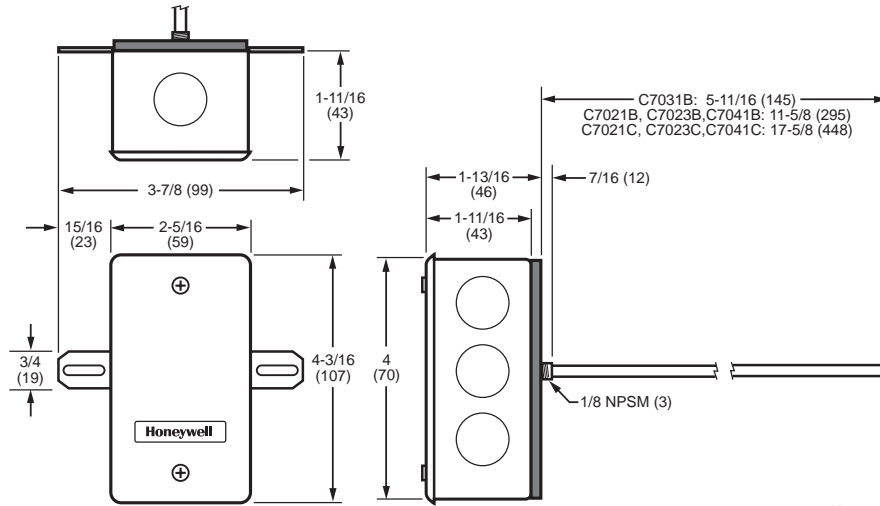
Used With: TB7600, TB7300, TB7200 Series communicating thermostats

Product Number	Application	Insertion Length		Operating Temperature Range	
		(inch)	(mm)	(F)	(C)
C7021B2005/U	Duct Discharge	6 in.	152 mm	-40 F to +250 F	-40 C to +121 C
C7021B2013/U	Duct Discharge	12 in.	305 mm	-40 F to +250 F	-40 C to +121 C
C7021C2003/U	Duct Discharge	18 in.	457 mm	-40 F to +250 F	-40 C to +121 C
C7021D2001/U	Immersion sensor for hot or chilled water, purchase well 50001774-001 separately	5 in.	127 mm	-40 F to +250 F	-40 C to +121 C
C7021F2009/U	Outside air temperature	—	—	-40 F to +158 F	-40 C to +70 C
C7021J2007/U	Duct discharge air (averaging)	12 ft.	3.66 m	-40 F to +250 F	-40 C to +121 C
C7021K2005/U	Hot or chilled water (strap on)	—	—	-40 F to +250 F	-40 C to +121 C
C7021N2001/U	Water or air temperature sensor (probe sensor)	—	—	-40 F to +250 F	-40 C to +121 C
C7021P2004/U	Temperature sensor	—	—	-40 F to +250 F	-40 C to +121 C
C7021R2000/U	Duct discharge air (averaging)	12 ft.	3.66 m	-40 F to +250 F	-40 C to +121 C
C7021R2018/U	Duct discharge air (averaging)	24 ft.	7.3 m	-40 F to +250 F	-40 C to +121 C

Temperature Sensors

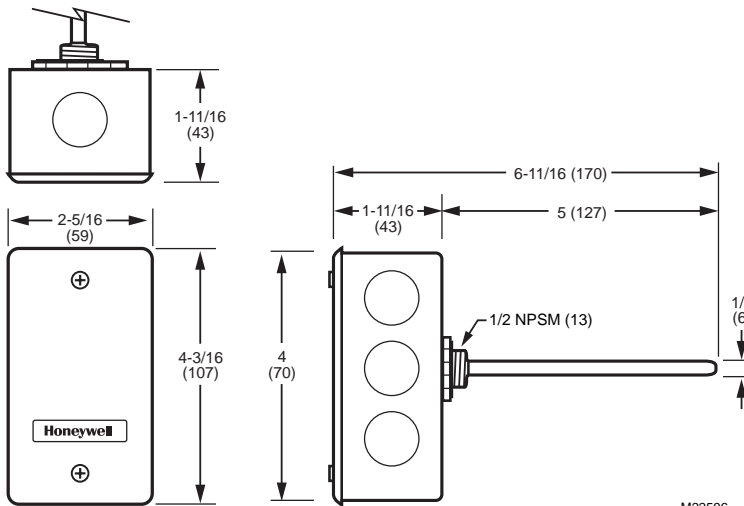
Diagrams for C7031, C7032, C7041 and T775 Series 2000 Sensor

C7021B/C, C7023B/C, C7041B/C Dimensions



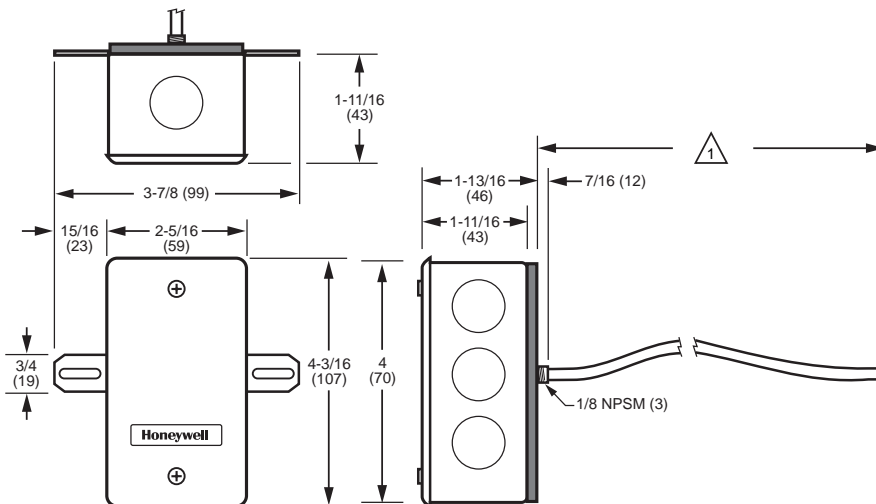
M22131A

C7021D, C7023D, C7031D, C7041D Dimensions in inches (millimeters)



M22596

C7021R, C7023R, C7041R Dimensions

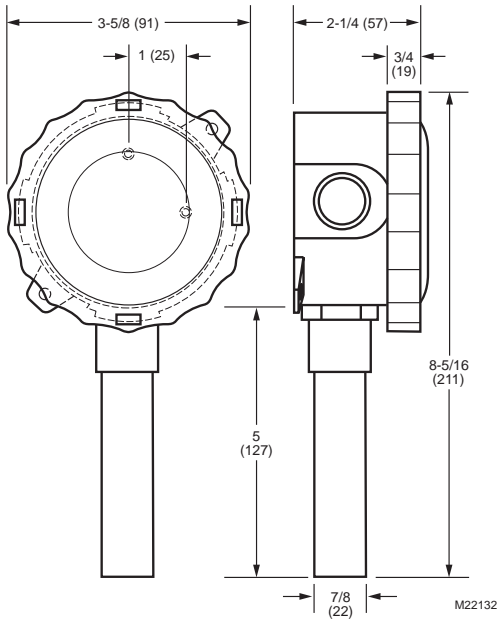


1 DEPENDING ON THE MODEL, THE ELEMENT LENGTH IS EITHER 12 FT (366 CM) OR 24 FT (732 CM).

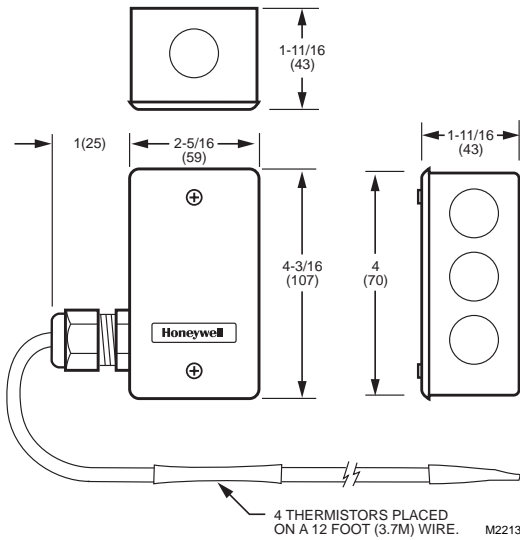
M22818

Temperature Sensors

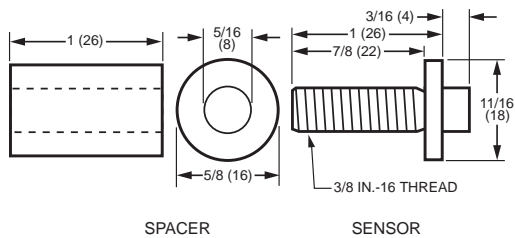
C7021F, C7023F, C7031G, C7041F, C7021F, C7023F, C7031G, C7041F, T775-SENS-OAT Dimensions



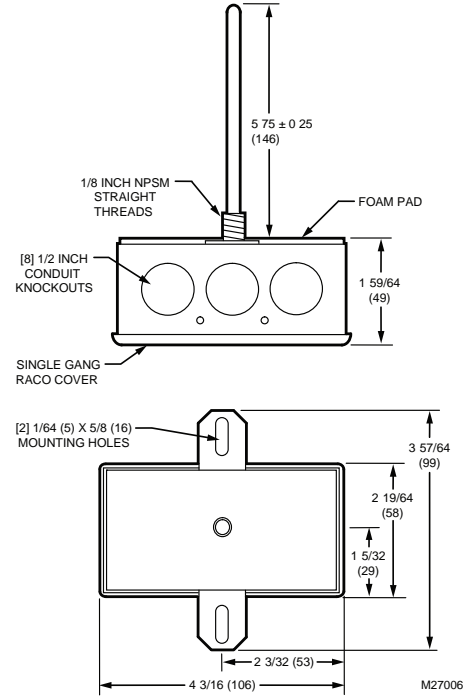
C7021J, C7023J, C7031J, C7041J Dimensions



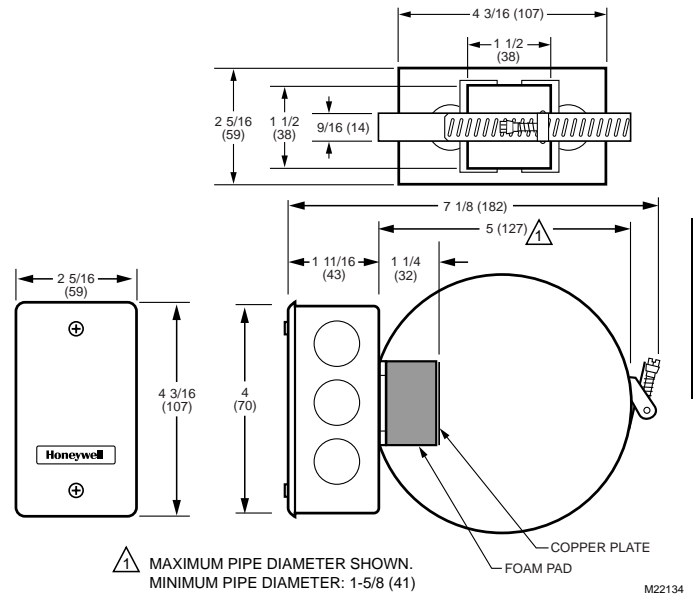
C7021P, C7023P, C7041P Dimensions



Dimensions in inches (millimeters)



C7021K, C7023K, C7021K, C7023KC7041K, T775-SENS-STRAP Dimensions



Commercial Components