

# Temperature Sensors

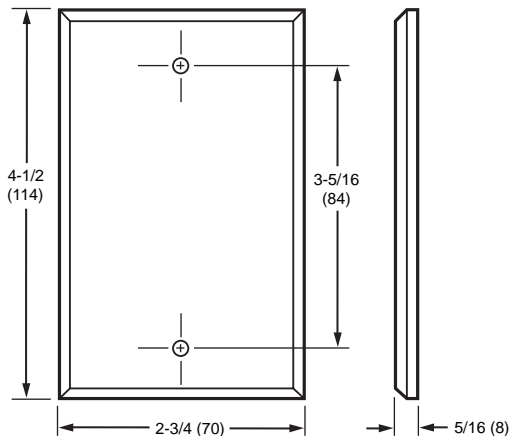
## C7772 Flush Mount Sensors



The C7772A, F, G Wallplate Temperature Sensors provide a resistive output signal proportional to sensed room or space temperature. The sensors are well suited for low profile wall mounted applications where durability and tamper-proof construction is desired, such as schools, prisons and institutions. The C7772A Wallplate Temperature Sensors are designed to be used with the Excel 5000 family, Excel 10, Excel 15, T7350, and other Honeywell controllers. The C7772F's are designed to be used with the TB7600, TB7300, and the TB7200 Series communicating thermostats and other controllers requiring a 10K NTC Type II sensor. The C7772G,s are designed to be used with WEBs-AX I/O modules and other controllers requiring a 10K NTC Type III sensor. The C7772 sensors provide a resistive output signal proportional to sensed room or space temperature. The C7772 is well suited for low-profile wall-mounted applications where durability and tamper-proof construction is desired, such as schools, prisons and institutions.

- Low profile when mounted on industry standard utility conduit box
- Rugged, brushed stainless steel wallplate
- Integral foam pad isolates wallplate sensor from conduit box
- Insulated screw terminals ensure reliable field wiring connection
- Models available with a variety of resistive temperature sensor elements

### Dimensions in inches (millimeters)



M16295A

**Application:** Low profile wall mounted where durability and tamper proof construction is desired

**Dimensions, Approximate:** 4 1/2 in. high x 2 3/4 in. wide (114 mm high x 70 mm wide)

**Operating Temperature Range:** 45 F to 99 F (7 C to 37 C)

**Shipping Temperature Range:** -40 F to +150 F (-40 C to +65 C)

**Operating Humidity Range (% RH):** 5 to 95% RH, non-condensing

**Mounting:** Wall mount

Product Number	Sensor Type	Description	Comments	Used With
C7772A1004/U	20 K ohm NTC non-linear	20 K ohm NTC non-linear Wall Flush Mount Temperature Sensor without logo	—	Excel 5000 family
C7772A1012/U	20 K ohm NTC non-linear	20 K ohm NTC non-linear Wall Flush Mount Temperature Sensor with Honeywell logo	with Honeywell logo, looks very professional and facilitates finding sensor after installation	Excel 5000 family
C7772F1004/U	10 K ohm NTC Type II non-linear	10 K ohm NTC Type II non-linear Wall Flush Mount Temperature Sensor without logo	—	TB7600, TB7300, TB7200 Series communicating thermostats
C7772F1012/U	10 K ohm NTC Type II non-linear	10 K ohm NTC Type II non-linear Wall Flush Mount Temperature Sensor with Honeywell logo	with Honeywell logo, looks very professional and facilitates finding sensor after installation	TB7600, TB7300, TB7200 Series communicating thermostats
C7772G1004/U	10 K ohm NTC Type III non-linear	10 K ohm NTC Type III non-linear Wall Flush Mount Temperature Sensor without logo	—	WEBs-AX I/O Modules
C7772G1012/U	10 K ohm NTC Type III non-linear	10 K ohm NTC Type III non-linear Wall Flush Mount Temperature Sensor with Honeywell logo	with Honeywell logo, looks very professional and facilitates finding sensor after installation	WEBs-AX I/O Modules