

TrueDRY Dehumidification System

TrueDRY™ Dehumidification Systems



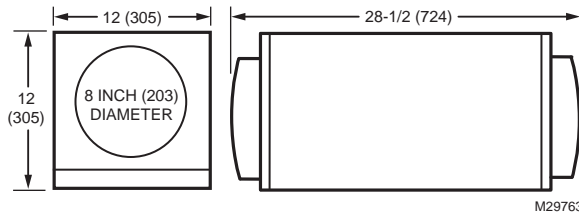
The Honeywell TrueDRY dehumidifiers provide great value to contractors and homeowners by doing more with less energy. Our compact units have the smallest footprint in their class; come with an anti-corrosion e-coating coil and now, according to ENERGY STAR's performance testing, they are among the most efficient in the industry.

- Removes 65/90/120 pints of water per day from the indoor air
- Built-in fresh air supply
- Energy Star 3.0 Rated
- E-Coated Coil delivers longer life and increased efficiency.
- Improved design to reduce noise and save space.
- 65 pint model offers on-board dehumidistat

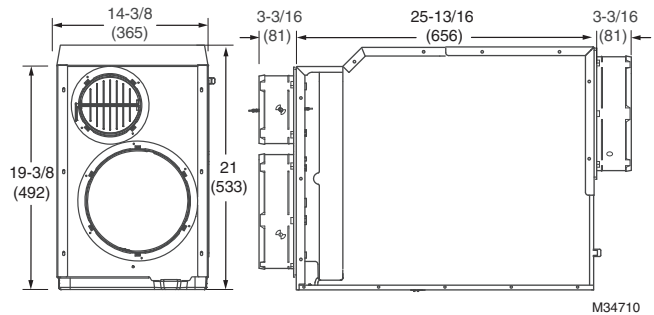
Application: Dehumidifier

Product Number	Capacity			Plenum Opening (Diameter)		Amps.	Includes	Weight (lb)
	(pints per day)	(gallons per day)	(liters per day)	(inch)	(mm)			
DR65A2000/U	65 pints per day	8 3/25 gal per day	30 L per day	8 in. collars	203 mm collar	5.2 Amps	Four leveling feet with rubber isolation pads.	55 lb
DR90A2000/U	90 pints per day	11 1/4 gal per day	45 L per day	10 in. collars; 6 in. ventilation collar	254 mm collars; 152 mm vent collar	5.9 Amps	Four leveling feet with rubber isolation pads.	82 lb
DR120A2000/U	120 pints per day	15 gal per day	57 L per day	10 in. collars; 6 in. ventilation collar	254 mm collars; 152 mm vent collar	7.3 Amps	Four leveling feet with rubber isolation pads.	90 lb

DR65A dimensions in Inches (millimeters)



DR120A dimensions in Inches (millimeters)



DR90A dimensions in Inches (millimeters)

