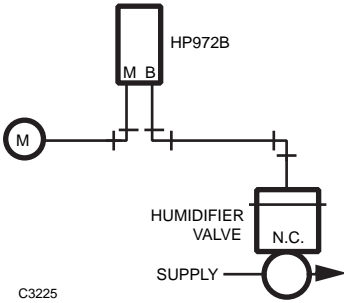


HP970 Pneumatic Humidistat



HP970 Typical Piping



Application: Humidity

Dimensions, Approximate: 3 1/4 in. high x 2 in. wide x 1 5/8 in. deep
(83 mm high x 51 mm wide x 41 mm deep)

Airflow Usage: 0.011 scfm (5.2 mL/s)

Maximum Operating Temperature: 45 F to 125 F (7 C to 52 C)

Maximum Storage Temperature: -30 to +150 F (-34 to +66 C)

Maximum Operating Pressure: 25 psi (170 kPa)

Two-pipe, single setpoint, pneumatic humidistat used to provide proportional control of pneumatic valves on humidification or dehumidification systems.

- Durable HP970 series humidistat.
- Pilot operated for high capacity.
- Direct Acting (DA) and Reverse Acting (RA) models are available.
- Vertical or horizontal mounting.
- Backplate has molded air connections; no separate fittings needed.
- Variety of cover finishes and display styles available.

Accessories:

- AK3863**-Honeywell Thermostat Tool Kit, TP970/TP900
- CCT729A**-Gauge Adapter for Calibration. Add 305965 0 to 30 psi gauge for Complete Tool.
- CCT735A**-Thermostat Calibration Tool includes Allen wrench for cover installation.
- 305965**-1-1/2 in. diameter, 1/8 NPT center stem back mount Pressure Indicating gauge (0 to 30 psi scale) with ±4% accuracy
- 14002430-001**-Thermostat Guard
- 14003192-001**-Wallplate adapter kit. Adapts HP970 or TP970 series humidistats to HP900 and TP900 flush mounted and TP910 series flush or surface mounted installations
- 14004406-124**-Humidistat Cover assembly Satin Chrome with setpoint display and Honeywell logo for vertical mounting, scale range 15 to 75% RH

Replacement Parts:

- 14001865-001**-Filter Cartridge Assembly
- 14002053-001**-Back Plate Assembly
- 14002573-001**-Modernization Kit to convert all 1 & 2 pipe Honeywell & competitive pneumatic humidistats to TP970, TP971A, TP972, TP973, TP974, TP9600 family; HP970, HP971 and HP972

| Product Number | Action | Number of Pipes | Scale Range (% RH) | Throttling Range (% RH) | Setpoint | Comments |
|----------------|----------------|-----------------|--------------------|-------------------------|----------|------------------------|
| HP970A1009/U | Direct Acting | 2 | 15 to 75% RH | 3 to 15% RH | Single | Order Cover Separately |
| HP970B1007/U | Reverse Acting | 2 | 15 to 75% RH | 3 to 15% RH | Single | Order Cover Separately |
| HP970B1015/U | Reverse Acting | 2 | 65 to 95% RH | 3 to 15% RH | Single | Order Cover Separately |