

Pneumatic Humidstats

HP972 Pneumatic Humidistat



A proportioning pneumatic humidistat used on one- or two-pipe installations for controlling actuators on valves and dampers in air conditioning systems for humidification or dehumidification control.

- Durable HP970 series humidistat.
- Snap-on mounting to backplate.
- Vertical or horizontal mounting.
- Backplate has molded air connections; no separate fittings needed.
- Variety of cover finishes and display styles available.
- Wide throttling range.

Application: Humidity

Dimensions, Approximate: 3 1/4 in. high x 2 in. wide x 1 5/8 in. deep (83 mm high x 51 mm wide x 41 mm deep)

Airflow Usage: 0.011 scfm (5.2 mL/s)

Maximum Operating Temperature: 45 F to 125 F (7 C to 52 C)

Maximum Storage Temperature: -30 to +150 F (-34 to +66 C)

Maximum Operating Pressure: 25 psi (170 kPa)

Accessories:

AK3863-Honeywell Thermostat Tool Kit, TP970/TP900

CCT729A-Gauge Adapter for Calibration. Add 305965 0 to 30 psi gauge for Complete Tool.

CCT735A-Thermostat Calibration Tool includes Allen wrench for cover installation.

305965-1-1/2 in. diameter, 1/8 NPT center stem back mount Pressure Indicating gauge (0 to 30 psi scale) with ±4% accuracy

14002430-001-Thermostat Guard

14002362-001-Duct Sampling Chamber

14003192-001-Wallplate adapter kit. Adapts HP970 or TP970 series humidistats to HP900 and TP900 flush mounted and TP910 series flush or surface mounted installations

14004406-124-Humidistat Cover assembly Satin Chrome with setpoint display and Honeywell logo for vertical mounting, scale range 15 to 75% RH

Replacement Parts:

14001865-001-Filter Cartridge Assembly

14002053-001-Back Plate Assembly

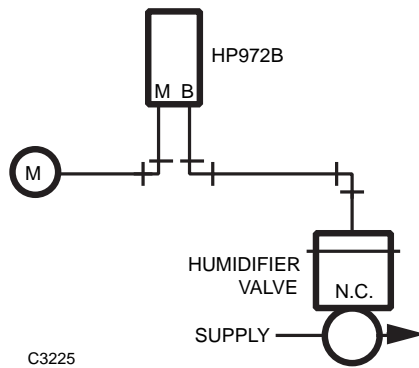
14002374-004-Restrictor Block Assembly, 0.005 in., For TP970A-D; TP971A-E except C; TP972A; TP973A-B; TP9600 family; HP970A-B; and HP972B

14002496-003-Nylon element assembly, with Spring

14002573-001-Modernization Kit to convert all 1 & 2 pipe Honeywell & competitive pneumatic humidistats to TP970, TP971A, TP972, TP973, TP974, TP9600 family; HP970, HP971 and HP972

Product Number	Action	Number of Pipes	Scale Range (% RH)	Throttling Range (% RH)	Setpoint	Description	Comments
HP972B1005/U	Reverse Acting	1 or 2	15 to 75% RH	7 to 35% RH	Single	Pneumatic Humidity Controller, number of pipes: 1 or 2, Action: Reverse	Order Cover Separately

Typical Two-Pipe HP972B Hook-up



Typical One-pipe HP972B Hook-up

