

Economizer Damper Actuators

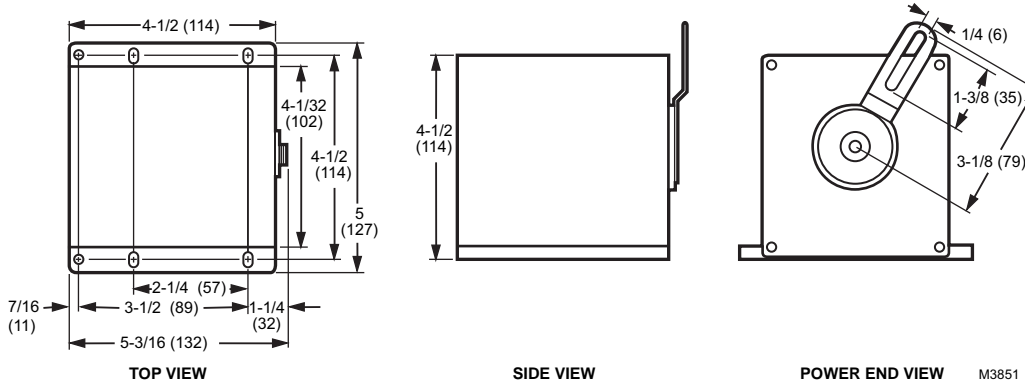
M6415; M7215; M7415; M8405; M8415 Economizer Damper Actuators



25 lb-in. spring return damper actuators provide two-position, three-position, floating, or modulating control of economizer systems, ventilation dampers and combustion air dampers used in residential or commercial HVAC equipment.

- Synchronous Motor. Quiet, high efficiency drive motor
- Spring returns motor shaft to normal position in the event of power failure
- High impact, glass-fiber reinforced plastic case is rugged, lightweight and corrosion resistant
- Uses Q298B Linkage

Dimensions in inches (millimeters)



Fail Safe Mode: Spring Return
Torque Rating: 25 lb-in. (2.8 Nm)
Torque Rating, Breakaway: 40 lb-in. (4.5 Nm)
External Auxiliary Switches Available: Yes
Fixed Stroke: Yes
Motor Shafts: 1
Feedback: No
Electrical Connections: Quick-connect terminals
Frequency: 50 Hz; 60 Hz
Mounting: Foot-mounted
Vibration: V2 level
Angle of Rotation (Stroke Max (deg)): 90

Nominal Spring Return (seconds): 18 sec
Nominal Timing Opening (seconds): 90 sec
Maximum Run Time (seconds): 90 sec
Minimum Timing (seconds): 90 sec
Deadweight Load on Shaft (Power End): 15 lbs max
Operating Temperature Range: -25 F to +125 F (-32 C to +52 C)
Shipping Temperature Range: -30 F to +150 F (-34 C to +66 C)
Operating Humidity Range (% RH): 5 to 95% RH, non-condensing
Materials (Housing): UL94-5V plastic housing
Weight: 3 lb
Approvals
Underwriters Laboratories, Inc: Listed File: E4436, Guide: XAPX

Product Number	Control Signal	Power Consumption		Rotation to Open	Description	Used With
		(Driving)	(Holding)			
M6415A1016/U	Floating, SPDT	8 VA	3 VA	CCW	Spring return-foot mounted, Spdt floating, 24 Vac	Floating Controllers
M7215A1008/U	2 to 10 Vdc	8 VA	3 VA	CCW	Spring return-foot mounted, Modulating, 24 Vac	W7212/13/14 Economizers; W7215 Economizers
M7415A1006/U	Thermistor, Modulating	8 VA	5 VA	CCW	Spring return-foot mounted, Modulating, 24 Vac	W7459 Economizers; W7460 Economizers
M7415B1004/U	Thermistor, Modulating	8 VA	5 VA	CW	Spring return-foot mounted, Modulating, 24 Vac	W7459 Economizers; W7460 Economizers
M8405A1006/U	Three position	8 VA	3 VA	CCW	Spring return-foot mounted, 3 position w/field adj. min pos., 24 Vac	W7459C
M8415A1004/U	Two position, SPST	8 VA	3 VA	CCW	Spring return-foot mounted, 2 position, 2 wire w/field adj. min. pos., 24 Vac	—

Commercial Components