

Direct Coupled Valve Actuators

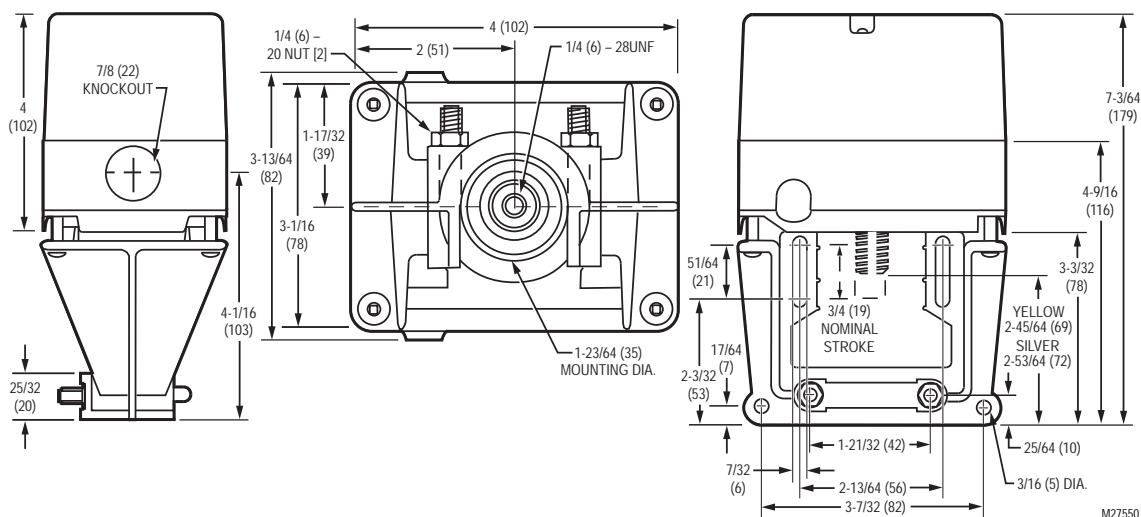
ML6984 Direct Coupled Linear Valve Actuators



The ML6984 is a self-contained, self-adjusting, motorized linkage that mounts directly onto V5011 two-way or V5013 three-way valves and provides up to 25 mm (1") of linear travel (stem lift). For use with low voltage 3-wire SPDT Series 20 (on-off); Series 60 (floating) electromechanical (dry) contacts; or electronic (triac output) controllers (3-wire installation).

- Allows the use of one common transformer power supply for multiple actuators and controllers
- Self-contained, motorized linkage
- Linkage self-adjusts to valve stroke of 12 to 25 mm (1/2 to 1")
- Multi-pose mounting
- Strong valve seat closing force 160 lbf (710 N)
- Compact size for easy installation in confined area
- One device for either 24 Vac or 28 Vdc power supply application
- Electronic current sensing provides internal protection and positive full closing force
- Field-addable position feedback/auxiliary switch module available (5-wire control wiring only)
- Compatible with 3-wire control systems

Dimensions in inches (millimeters)



Actuator Type: Valve
Fail Safe Mode: Stays in place
(Rated) Stem Force: 160 bf (710 N)
Cable Entry: 7/8 in. hole for 1/2 in. conduit
External Auxiliary Switches Available: 272630D
Electrical Protection: NEMA 3R
Electrical Connections: Screw terminals
Ingress Protection Rating: NEMA 3R, IP54 (mounted in vertical position)
Feedback: Position feedback available w/ 272630D; 2-10 Vdc
Frequency: 50 Hz; 60 Hz
Number of Internal Auxiliary Switch: 0
Manual operation: None
Mounting: Screws onto 1/4-28 UNF threaded valve stem
Stroke: 1/2 to 1 in. (13 to 25 mm)

Supply Voltage: 24 Vac; 28 Vdc
Materials: UV-stabilized plastic cover, aluminum base & yoke
Operating Humidity Range (% RH): 15 to 95% RH at 104 F (40 C)
Medium Temperature: 300 F Maximum (150 C Maximum)
Ambient Temperature Range: 32 F to 130 F (0 C to 50 C)
Temperature Ratings (Shipping): -40 F to +150 F (-40 C to +65 C)
Storage Temperature Range: -40 F to +150 F (-40 C to +65 C)
Weight: 2.2 lb (1 kg)
Includes: Screw terminals
Comments: 3 or 5-wire operation. (3-wire required for XL10 controllers)

Accessories:
272629A-Adapter Kit for mounting ML6984/ML7984 to V5045 and VGF non-pressure balanced 2-way valves
272630D-Position feedback and SPDT pilot duty auxiliary switch

Product Number	Control Signal	Timing (seconds)	Switch Ratings	Power Consumption		Used With
		Nominal Driving @ 60 Hz		(Driving)	(Holding)	
ML6984A4000/U	SPDT; Floating; Two position	63 at 3/4 in stroke	24 Vac	6 VA	12 VA	V5011/13, VGF21, and VGF22 up to 3 in.; V5045 w/ 272629A

Commercial Components