

Pneumatic Damper Actuators

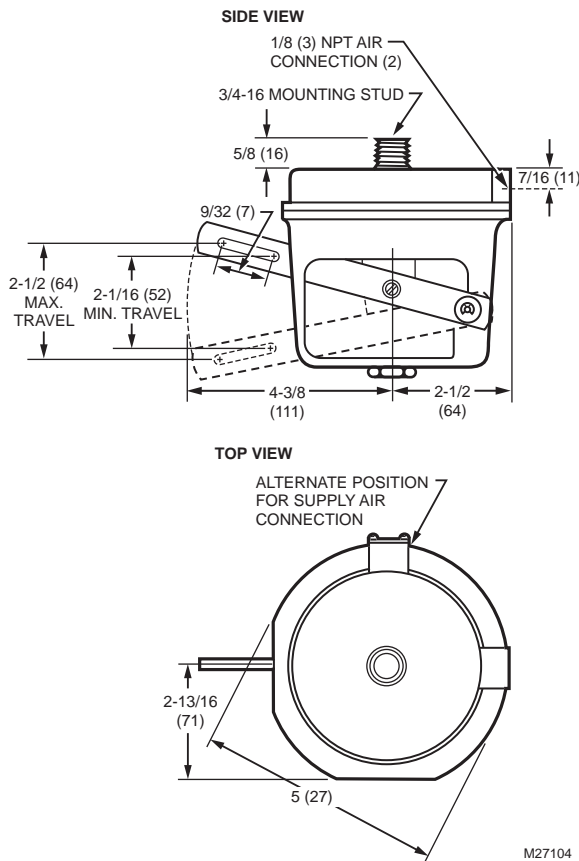
MP516 Pneumatic Unit Ventilator Damper Actuator



Used to control the damper on unit ventilators. Can be adapted to various unit ventilator control cycles. Replacement devices are available for Johnson, Powers, Robertshaw, Barber-Colman, and older Honeywell unit ventilator damper actuators.

- Constructed of strong zinc die castings.
- Hesitation feature available for unit ventilator cycles requiring a minimum percentage of outdoor air.

Dimensions in inches (millimeters)



Actuator Type: Damper

Actuator Force: Medium

Fail Safe Mode: Spring Return

Air Connections: 1/8 in. NPT

Stroke: 2-1/8 in. to 2-1/2 in. (54 mm to 63 mm)

Diaphragm Effective Area: 11 sq in. (71 sq cm)

Temperature Range: -20 F to +160 F (-29 C to +71 C)

Maximum Operating Pressure: 25 psi (172 kPa)

Humidity Range: 5 to 95% RH

Accessories:

26025B-Damper crank arm for 3/8 in. (9.5 mm) diameter axle.

Elongated slot for linkage connection. Slot scaled for 40-50-60-75-90 degrees.

27174B-Damper crank arm for 7/16 in. (11.1 mm) diameter axle.

Elongated slot for linkage connection. Slot scaled for 40-50-60-75-90 degrees.

27520C-Push Rod (5/16 in. dia., 12 in. length)

27520G-Push Rod (5/16 in. dia., 24 in. length)

27520K-Push Rod (5/16 in. dia., 36 in. length)

27520L-Push Rod (5/16 in. dia., 48 in. length)

309389J-Mounting Bracket and Linkage

312867C-Damper Crank Arm for 1/2 in. (12.7mm) diameter axle.

Elongated slot for linkage connection. Slot scaled for 45-60-75-90 degrees

315321-Crankarm Balljoint (with 1/4 in male threads), fits 5/16 in. diameter pushrod

Product Number	Spring Range		Comments
	(psi)	(kPa)	
MP516A1087/U	3 psi to 12 psi	21 kPa to 83 kPa	The lever arm moves to the desired minimum position as air pressure increases from 0 to 3 psi, hesitates from 3 to 8 psi, and completes its stroke from 8-12 psi.
MP516A1095/U	4 psi to 8 psi	28 kPa to 55 kPa	No hesitation.
MP516A1103/U	5 psi to 12 psi	34 kPa to 83 kPa	No hesitation.