

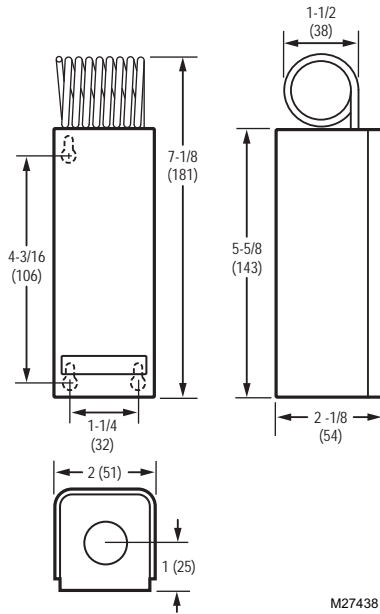
T6054 Utility Line Voltage Thermostat



Provides SPDT heavy-duty, line-voltage temperature control in ventilation, heating or cooling systems.

- Use in a variety of farm, industrial or commercial applications
- Wall or duct mount in any position
- Fast response, tin-plated element not affected by adverse environment
- Rugged case
- Mounts on flat surface with three screws

Dimensions in inches (millimeters)



Type: Filled element

Application: Provides control in ventilation, heating, cooling or heating-cooling systems

Accuracy: ±10 F (±5.6 C)

Sensor Element: Copper filled element

Color: Gray

Contact Ratings (120 Vac): 7.4 AFL, 44.4 ALR

Contact Ratings (240 Vac): 3.7 AFL, 22.2 ALR

Voltage: 120 Vac or 240 Vac

Frequency: 50 Hz; 60 Hz

Approvals

Canadian Standards Association: CSA Listed: Report -1

Underwriters Laboratories, Inc: Listed: E4436, vol. 5, sec. 12, Guide XAPX

Product Number	Maximum Operating Temperature		Setpoint Temperature Range		Differential Temperature		Output	Output Type	Number of Sensor Inputs	Includes
	(F)	(C)	(F)	(C)	(F)	(C)				
* T6054A1005/U	125 F	52 C	-30 F to +110 F	-34 C to +43 C	3.5 F	1.9 C	1 SPDT	relay	1	Case

* TRADELINE models • SUPER TRADELINE models