

Temperature Controllers

T775 Series 2000 Stand-Alone Controllers



The T775 electronic remote temperature controllers are the next generation of commercial and agricultural controls capable of remote sensing of temperature and providing switched and/or proportional outputs to various types of loads. Save time on installations with the easy-to-use graphical interface, large display, and the intuitive programming

- Use the time clock scheduler or digital input to control the setback and disable output options to help save energy
- Protect equipment from freezing or overheating on models with the modulating high or low limit control option
- Get pinpoint control on modulating outputs by setting the integral and derivative times (PI or PID)
- Configure models with reset in a few easy steps
- Control floating actuators with floating outputs on select models
- Eliminate the need for a separate time delay device and protect equipment with the minimum off time option
- Sensor 50021579-001 included with non-NEMA 4X models
- Sensor T775-SENS-WR included with NEMA-4X models

Type: Standard-NEMA 1

Application: On/off or analog controller for applications where electronic accuracy and remote sensing of temperature is required.

Bulb Size: 1/4 in. diameter x 2 in. long (6.35 mm diameter x 50.8 mm)

Accuracy: ±1 F at 77 F (±1 C at 25 C)

Sensor Element: 1097 ohms PTC at 77 F (25 C)

Maximum distance to sensor: Up to 1,000 ft (up to 304 m)

Relay Contact Ratings

(24 Vac): 10.0A resistive

(120 Vac): 1/2 hp; 9.8 AFL, 58.8 ALR, 125 VA Pilot Duty

(240 Vac): 1/2 hp; 4.9 AFL, 29.4 ALR, 125 VA Pilot Duty

Voltage: 24 Vac or 120/240 Vac

Frequency: 50 Hz; 60 Hz

Operating Ambient Temperature Range:

-40 F to 125 F @ 50 Hz; -40 F to 140 F @ 60 Hz

(-40 C to 52 C @ 50 Hz; -40 C to 60 C @ 60 Hz)

Setpoint Temperature Range: -40 F to 248 F (-40 C to 120 C)

Throttling Range: 1 F to 150 F (0.5 C to 66 C)

Differential Temperature: 1 F to 150 F (0.5 C to 66 C)

Approvals

C-Tick: Approved

Underwriters Laboratories, Inc: Approved

CE: Approved

Canadian Underwriters Laboratories, Inc: Approved

Accessories:

107324A-Capillary Holder Assembly for duct insertion, 8 3/8 in. long

C7031D2003-5 inch immersion sensor with well

C7031J2009-1097 ohm Electronic Temperature Sensor

C7100D1001-12 inch Duct Averaging Temperature Sensor

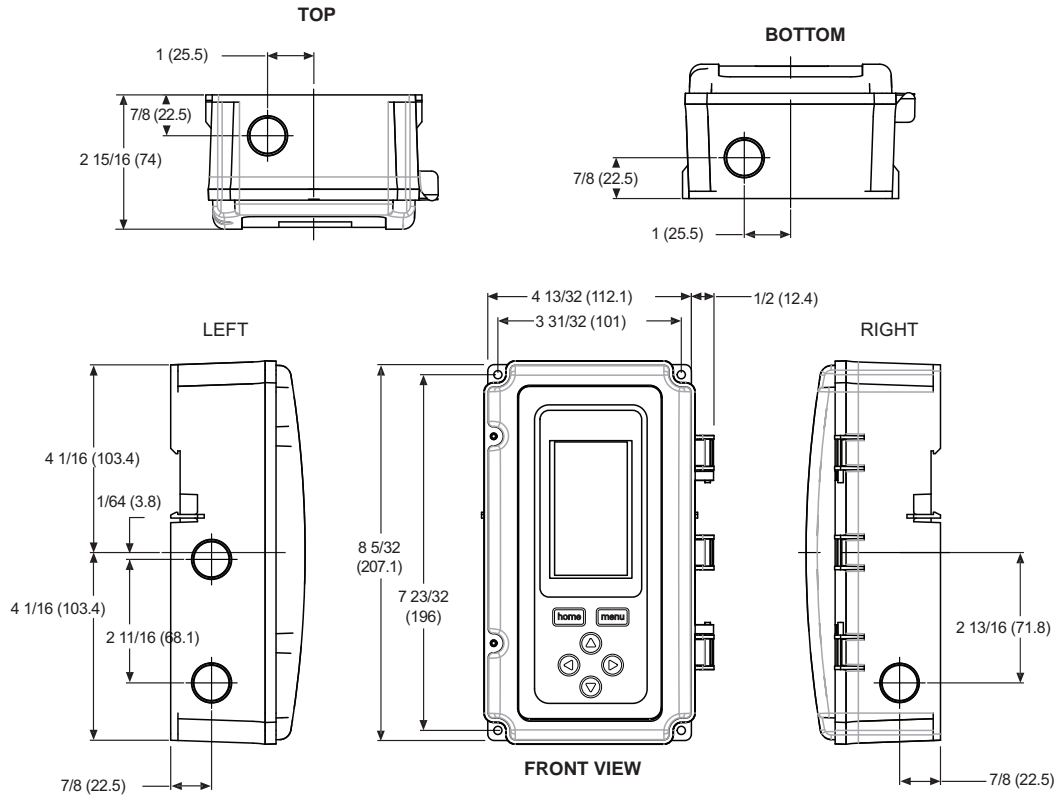
C7130B1009-Wall mount Room Sensor

C7130B1009-Wall mount Room Sensor

Product Number	Relay Output	Sensor Inputs	Floating Output	Description	Analog Output Type	Output Reset	Replaces	Number of Sensor Inputs	Sensors Included
T775A2009/U	1 SPDT	1	—	Standard	—	—	T775A1001	1	50021579-001 (1)
T775B2016/U	2 SPDT	2	1	Standard-NEMA 4X	—	—	—	2	T775-SENS-WR (1)
T775B2024/U	4 SPDT	2	2	Standard-NEMA 4X	—	—	T775D1008; T775C1009	2	T775-SENS-WR (1)
T775B2032/U	2 SPDT	2	1	Standard	—	—	T775B1000; T775A1019	2	50021579-001 (1)
T775B2040/U	4 SPDT	2	2	Standard	—	—	T775B1042; T775B1026; T775B1018; T775A1035; T775A1027	2	50021579-001 (1)
T775M2006/U	None	2	—	Modulating	2-10 Vdc; 0-10 Vdc; 4-20 mA; Electronic Series 90	—	—	—	50021579-001 (1)
T775M2014/U	4 SPDT	2	—	Modulating-NEMA 4X	2-10 Vdc; 0-10 Vdc; 4-20 mA; Electronic Series 90	—	T775G1039; T775G1021; T775G1013; T775G1005	—	T775-SENS-WR (1)
T775M2022/U	2 SPDT	2	—	Modulating-NEMA 4X	2-10 Vdc; 0-10 Vdc; 4-20 mA; Electronic Series 90	—	—	—	T775-SENS-WR (1)
T775M2030/U	4 SPDT	2	—	Modulating	2-10 Vdc; 0-10 Vdc; 4-20 mA; Electronic Series 90	—	T775F1089; T775F1055; T775F1022; T775E1114	—	50021579-001 (1)
T775M2048/U	2 SPDT	2	—	Modulating	2-10 Vdc; 0-10 Vdc; 4-20 mA; Electronic Series 90	—	T775E1098; T775E1064; T775E1056; T775E1023; T775E1015	—	50021579-001 (1)
T775R2001/U	4 SPDT	2	2	Reset Option	—	Yes	—	—	50021579-001 (2)
T775R2019/U	4 SPDT	2	—	Reset Option	2-10 Vdc; 0-10 Vdc; 4-20 mA; Electronic Series 90	Yes	—	—	50021579-001 (2)
T775R2027/U	2 SPDT	2	—	Reset Option	2-10 Vdc; 0-10 Vdc; 4-20 mA; Electronic Series 90	Yes	T775J1068; T775J1050; T775J1043	—	50021579-001 (2)
T775R2035/U	2 SPDT	2	1	Reset Option	—	Yes	T775J1076; T775J1001	—	50021579-001 (2)
T775R2043/U	—	2	—	Reset Option	2-10 Vdc; 0-10 Vdc; 4-20 mA; Electronic Series 90	Yes	T775J1035; T775J1027; T775J1019	—	50021579-001 (2)

Temperature Controllers

Dimensions in inches (millimeters)



M24279