

Temperature Controllers

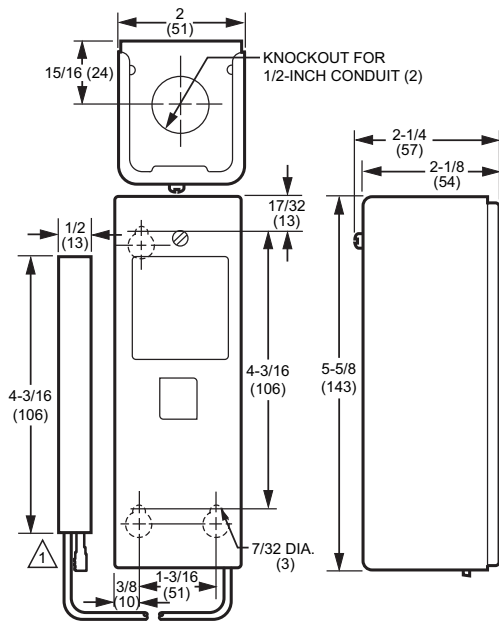
T991A Proportional Temperature Controller



Proportional (135 ohm) remote bulb controllers for modulating control of water or air temperature in ducts, tanks and similar applications.

- Fast response models (for duct mounting) have coiled sensing element giving at least four times faster response than standard models
- Ambient temperature compensated for the case and tubing
- Sensing element capillary tubing allows remote mounting of sensing element
- Setpoint may be read and adjusted through cover
- Throttling dial inside case adjusts proportional throttling range

Dimensions in inches (millimeters)



1 BULB LENGTH IS 3-9/16 (91), ON 55 TO 175 F AND 15 TO 75 C RANGE.
M23881

Type: Modulating Remote bulb

Application: Provide modulating control of water or air temperature in ducts or tanks

Color: Gray

Voltage: 24 Vac to 30 Vac

Frequency: 50 Hz; 60 Hz

Output Type: Analog

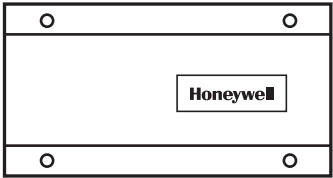
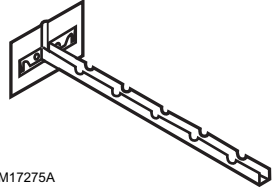

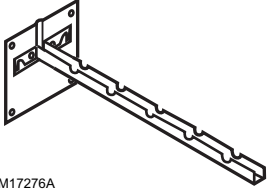
Number of Sensor Inputs: 1

Product Number	Setpoint Temperature Range		Maximum Operating Temperature		Throttling Range		Bulb Size		Capillary Length		Analog Output	Sensor Element	Includes
	(F)	(C)	(F)	(C)	(F)	(C)	(inch)	(mm)	(ft)	(m)			
T991A1004/U	0 F to 100 F	-18 C to +38 C	125 F	52 C	3 F to 30 F	1.7 C to 16.7 C	1/2 in. diameter x 4 3/16 in. long	13 mm diameter x 107 mm long	5 ft	1.5 m	One 135 Ohm Potentiometer	Copper bulb	—
T991A1012/U	0 F to 100 F	-18 C to +38 C	125 F	52 C	3 F to 30 F	1.7 C to 16.7 C	1/2 in. diameter x 4 3/16 in. long	13 mm diameter x 107 mm long	20 ft	6.1 m	One 135 Ohm Potentiometer	Copper bulb	—
T991A1061/U	160 F to 260 F	71 C to 127 C	280 F	138 C	3 F to 30 F	1.7 C to 16.7 C	1/2 in. diameter x 4 3/16 in. long	13 mm diameter x 107 mm long	5 ft	1.5 m	One 135 Ohm Potentiometer	Copper bulb	—
T991A1079/U	160 F to 260 F	71 C to 127 C	280 F	138 C	3 F to 30 F	1.7 C to 16.7 C	1/2 in. diameter x 4 3/16 in. long	13 mm diameter x 107 mm long	20 ft	6.1 m	One 135 Ohm Potentiometer	Copper bulb	—
T991A1095/U	5 F to 95 F	-15 C to +35 C	125 F	52 C	3 F to 30 F	1.7 C to 16.7 C	1/2 in. diameter x 4 3/16 in. long	13 mm diameter x 107 mm long	5 ft	1.5 m	One 135 Ohm Potentiometer	Copper bulb	Celsius scale
T991A1186/U	55 F to 175 F	13 C to 79 C	200 F	93 C	3 F to 30 F	1.7 C to 16.7 C	1/2 in. diameter x 4 3/16 in. long	13 mm diameter x 107 mm long	5 ft	1.5m	One 135 Ohm Potentiometer	Copper bulb	—
T991A1194/U	55 F to 175 F	13 C to 79 C	200 F	93 C	3.5 F to 36 F	1.9 C to 20 C	1/2 in. diameter x 3 9/16 in. long	13 mm diameter x 90 mm long	20 ft	6.1m	One 135 Ohm Potentiometer	Copper bulb	—
T991A1210/U	59 F to 167 F	15 C to 75 C	200 F	93 C	3 F to 10 F	1.7 C to 16.7 C	1/2 in. diameter x 4 3/16 in. long	13 mm diameter x 107 mm long	5 ft	1.5m	One 135 Ohm Potentiometer	Copper bulb	Celsius Scale
T991A1244/U	55 F to 175 F	13 C to 79 C	200 F	93 C	3.5 F to 36 F	1.9 C to 20 C	1/2 in. diameter x 3 9/16 in. long	13 mm diameter x 90 mm long	5 ft	1.5m	One 135 Ohm Potentiometer	Copper bulb	107324A Duct Bulb holder
T991A1269/U	55 F to 175 F	13 C to 79 C	200 F	93 C	3.5 F to 36 F	1.9 C to 20 C	1/2 in. diameter x 3 9/16 in. long	13 mm diameter x 90 mm long	20 ft	6.1m	One 280 Ohm Potentiometer	Copper bulb	—
T991A1343/U	55 F to 175 F	13 C to 79 C	200 F	93 C	3.5 F to 36 F	1.9 C to 20 C	1/2 in. diameter x 3 9/16 in. long	13 mm diameter x 90 mm long	5 ft	1.5m	One 280 Ohm Potentiometer	Copper bulb	107324A Duct Bulb holder

Temperature Controllers

Product Number	Setpoint Temperature Range		Maximum Operating Temperature		Throttling Range		Bulb Size		Capillary Length		Analog Output	Sensor Element	Includes
	(F)	(C)	(F)	(C)	(F)	(C)	(inch)	(mm)	(ft)	(m)			
T991A1350/U	55 F to 175 F	13 C to 79 C	200 F	93 C	3.5 F to 36 F	1.9 C to 20 C	7/64 in. diameter x 24 ft. long	2.8 mm diameter x 7.3 m long	24 ft	7.3 m	One 135 Ohm Potentiometer	Copper averaging element	—
T991A1426/U	0 F to 100 F	-18 C to +38 C	125 F	52 C	3 F to 10 F	1.7 C to 16.7 C	1/2 in. diameter x 4 3/16 in. long	13 mm diameter x 107 mm long	5 ft	1.5 m	One 135 Ohm Potentiometer	Copper bulb	107324A Duct Bulb holder
T991A1715/U	0 F to 100 F	-18 C to +38 C	125 F	52 C	3 F to 10 F	1.7 C to 16.7 C	1/8 in. diameter x 76 3/8 in. long	3 mm diameter x 1.9 m long	5 ft	1.5 m	One 135 Ohm Potentiometer	Copper fast response element	131524A duct coil holder
T991A1756/U	55 F to 175 F	13 C to 79 C	200 F	93 C	3.5 F to 36 F	1.9 C to 20 C	1/8 in. diameter x 76 3/8 in. long	3 mm diameter x 1.9 m long	5 ft	1.5 m	One 135 Ohm Potentiometer	Copper fast response element	131524A duct coil holder
T991A1764/U	0 F to 100 F	-18 C to +38 C	125 F	52 C	3 F to 30 F	1.7 C to 16.7 C	7/64 in. diameter x 24 ft. long	2.8 mm diameter x 7.3 m long	24 ft	7.3 m	One 135 Ohm Potentiometer	Copper averaging element	—
T991A2069/U	0 F to 100 F	-18 C to +38 C	125 F	52 C	3 F to 30 F	1.7 C to 16.7 C	1/8 in. diameter x 76 3/8 in. long	3 mm diameter x 1.9 m long	20 ft	6.1 m	One 135 Ohm Potentiometer	Copper fast response element	131524A duct coil holder

Remote Bulb Controller Accessories

Product Number	Description	
107323A/U	Remote Bulb Shield Assembly, 3/8 in. diameter bulbs, < 5 in. long	 <p>M17284A</p> <p>107323A</p>
107324A/U	Capillary Holder Assembly for duct insertion, 8 3/8 in. long	 <p>M17275A</p> <p>107324A</p>
107408/U	Heat Conductive Compound, 4 ounces	
112620AA/U	Well Assembly, 3 3/4 in. (95 mm) insertion, 3/8 in. (10 mm) diameter, copper	 <p>M17401A</p>
112620BB/U	Well Assembly, 5 1/2 in. (140 mm) insertion, 3/8 in. (10 mm) diameter, copper	
112622AA/U	Well Assembly, 4 in. (102 mm) insertion, 1/2 in. (13 mm) diameter, copper	
112624AA/U	Well Assembly, 4 3/4 in. (121 mm) insertion, 1/2 in. (13 mm) diameter, stainless steel	
112628AA/U	Well Assembly, 4 3/4 in. (121 mm) insertion, 1/2 in. (13 mm) diameter, stainless steel	
112630AA/U	Well Assembly, 4 1/4 in. (108 mm) insertion, 1/2 in. (13 mm) diameter, copper	
112632AA/U	Well Assembly, 4 1/4 in. (108 mm) insertion, 1/2 in. (13 mm) diameter, stainless steel	
112634AA/U	Well Assembly, 4 1/4 in. (108 mm) insertion, 1/2 in. (13 mm) diameter, copper	
131524A/U	Capillary Holder Assembly, 8 3/8 in. long, duct insertion	 <p>M17276A</p> <p>131524A</p>
193987GA/U	Encapsulated platinum sensing element used with the T7075 and T775. 2 5/8 in long, 3/8 in diameter, 6 in. leads.	