

Pneumatic Thermostats

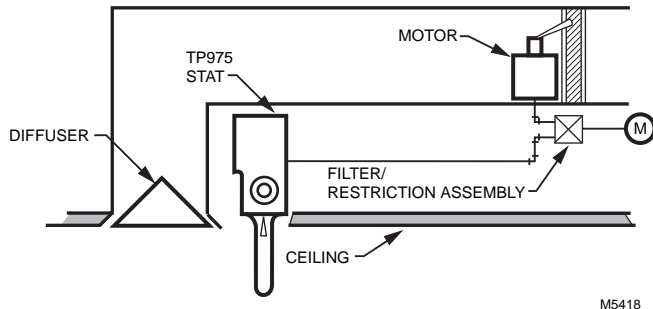
TP975 Pneumatic Diffuser Thermostat



One-pipe, single temperature, low-capacity pneumatic thermostat used to provide proportional control of pneumatic valves and mixing boxes in heating and air conditioning systems. It mounts in a slot or light troffer diffuser or a return air grill.

- Two-way setpoint indicator for vertical or horizontal mounting.
- Detents in 1 F (0.5 C) increments for blind operation.

TP975 Typical Piping



Application Type: Single temperature, low capacity, pneumatic thermostat

Dimensions, Approximate: 1 in. high x 2 1/2 in. wide x 1 1/8 in. deep (25 mm high x 63 mm wide x 27 mm deep)

Airflow Usage: 0.011 scfm (5.2 mL/s)

Number of Pipes: 1

Mounting: Wall mount

Operating Temperature: 110 F maximum (43 C maximum)

Storage Temperature: 150 F maximum (66 C maximum)

Remote Bulb: No

Sensor Element: Bimetal

Maximum Operating Pressure: 30 psi (207 kPa)

Accessories:

14002913-001-.005 in. Blue Filter Restriction Assembly; Inlet: 1/4 in., Outlets: 1/4 in. and 5/32 in.; Order in Quantities of 10

14002913-004-External Restriction Assembly. 0.005 in. Restriction, Blue Inlet 1/4 in.; Outlet 5/32 in. and 5/32 in.

Product Number	Action	Setpoint	Setpoint Temperature Range	Throttling Range		Comments
			(F)	(F)	(C)	
TP975A1009/U	Direct Acting	Single	67 F to 83 F	2 F to 10 F	1 C to 5 C	Requires external 0.005 in. restrictor