

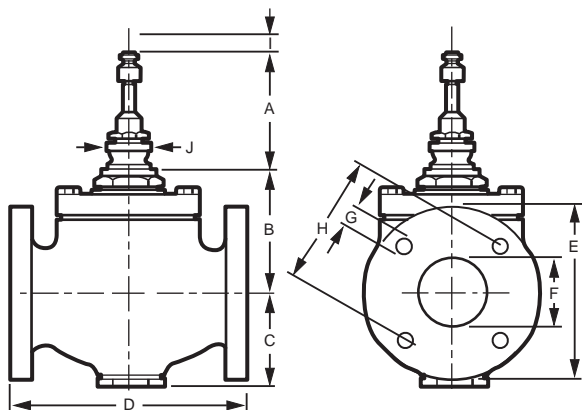
## V5011A,B Two-Way Flanged Globe Valves



Used for proportional control of hot or chilled water and glycol solutions (to 50 percent concentration) and for two-position control of low pressure steam in closed loop HVAC systems.

- Sizes range from 2-1/2 to 6 inches
- Stainless steel stem with serviceable Teflon packing
- Valves utilize direct mounting valve actuators, Q5020/Q5022 linkages with Direct Coupled Actuators, or Pneumatic Valve Actuators to operate the valve
- Equal Percentage flow characteristic

Dimensions in inches (millimeters)



MODEL	VALVE SIZE	A <sup>a</sup>	B	C	D	E	F	G	H	I (TRAVEL)	J (DIAMETER)
V5011A	2-1/2 (64)	3-1/2 (89)	4-13/16 (122)	4 (102)	9-1/2 (241)	7 (178)	2-1/2 (64)	3/4 (19)	5-1/2 (140)	3/4 (19)	1-3/8 (35)
	3 (76)	3-1/2 (89)	3-1/2 (89)	4-5/8 (117)	11 (279)	7-1/2 (191)	3 (76)	3/4 (19)	6 (152)	3/4 (19)	1-3/8 (35)
	4 (102)	5-1/4 (133)	5-1/4 (133)	5-3/16 (132)	13 (330)	9 (229)	4 (102)	3/4 (19)	7-1/2 (191)	1-1/2 (38)	1-7/8 (48)
V5011B	4 (102)	6-3/4 (171)	6-3/4 (171)	8-1/16 (205)	13 (330)	9 (229)	4 (102)	3/4 (19)	7-1/2 (191)	1-1/2 (38)	1-7/8 (48)

M27256

**Valve Type:** Globe Valve

**Body Pattern:** Two-way

**Connection Type:** Flanged

**Controlled Medium:** Chilled or hot water with up to 50% Glycol; not for use with fuels; Low pressure steam

**Maximum Safe Operating Pressure:** 15 psi steam (100 kPa steam)  
150 psi at 240 F water (1034 kPa at 115 C water)

**Maximum Differential for Quiet Water Service:** 20 psid (138 kPa)

**Ambient Temperature Range:** 40 F to 250 F (4 C to 121 C)

**ANSI/ASME Rating:** 125

**Actuation:** Must be purchased separately

**Materials**

**(Body):** Cast Iron

**(Stem):** 316 Stainless Steel

**(Seat):** Bronze

**(Packing):** Teflon Cone

Product Number	Valve Size		Flow Capacity		Stem Travel		Bonnet Size		Valve Action	Used With
	(inch)	DN	(Cv)	(Kv)	(inch)	(mm)	(inch)	(mm)		
V5011A1734/U	2 1/2 in.	DN65	63 Cv	54 kvs	3/4 in.	20 mm	1-3/8 in.	35 mm	Stem down to close	Q5001/Modutrol IV Motor; MP953; ML6420,21A,25; ML7420/ML7421A/ML7425; ML6984/ML7984
V5011A1767/U	3 in.	DN80	100 Cv	85 kvs	3/4 in.	20 mm	1-3/8 in.	35 mm	Stem down to close	ML6984/ML7984; ML7420/ML7421A/ML7425; ML6420,21A,25; Q5001/Modutrol IV Motor; MP953
V5011A1858/U	4 in.	DN100	160 Cv	137 kvs	1 1/2 in.	38 mm	1-7/8 in.	47.6 mm	Stem down to close	Q5001/Modutrol IV Motor; MP953; ML7421B; ML6421B
V5011A1882/U	5 in.	DN125	250 Cv	214 kvs	1 1/2 in.	38 mm	1-7/8 in.	47.6 mm	Stem down to close	ML6421B; ML7421B; Q5001/Modutrol IV Motor; MP953
V5011A1916/U	6 in.	DN150	360 Cv	308 kvs	1 1/2 in.	38 mm	1-7/8 in.	47.6 mm	Stem down to close	ML6421B; Q5001/Modutrol IV Motor; MP953; ML7421B
V5011B1013/U	4 in.	DN100	160 Cv	137 kvs	1 1/2 in.	38 mm	1-7/8 in.	47.6 mm	Stem up to close	ML7421B; Q5001/Modutrol IV Motor; MP953; ML6421B
V5011B1047/U	5 in.	DN125	250 Cv	214 kvs	1 1/2 in.	38 mm	1-7/8 in.	47.6 mm	Stem up to close	ML6421B; ML7421B; Q5001/Modutrol IV Motor; MP953
V5011B1070/U	6 in.	DN150	360 Cv	308 kvs	1 1/2 in.	38 mm	1-7/8 in.	47.6 mm	Stem up to close	ML6421B; Q5001/Modutrol IV Motor; MP953; ML7421B