

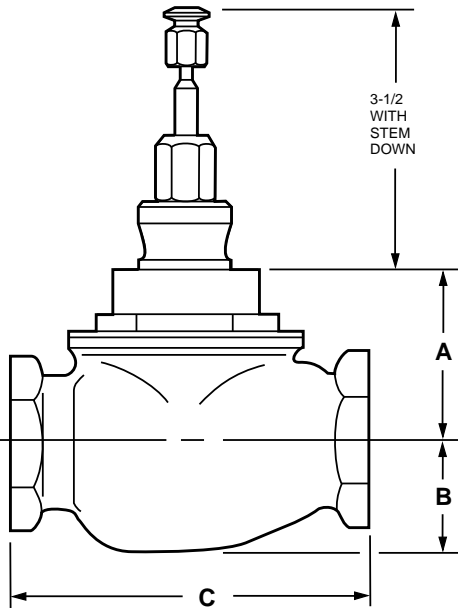
## V5011F,G Two-Way Threaded Globe Valves



Used for two-position or modulating control of steam and water and glycol solutions (to 50 percent concentration) in heating or cooling systems.

- Sizes range from 2-1/2 to 3 inches
- Direct acting
- High pressure steam models with stainless steel trim
- Spring-loaded, self-adjusting packing
- Stainless steel stem prevents corrosion
- Valve designs provide equal percentage characteristics of flow for close control of water, and linear characteristic of flow for close control of steam or chilled water
- Valves utilize direct mounting, electric or pneumatic linear valve actuators; Q5001 linkage with Modutrol Motor; or Q5020/Q5022A linkages with Direct Coupled Actuators to operate the valve

Dimensions in inches (millimeters)



V5011F,G

BODY STYLE	PIPE SIZE (in.)	DIMENSIONS					
		A		B		C	
		in	mm	in	mm	in	mm
V5011F,G THREADED DIRECT BODY	1/2	2	51	1-3/4	45	3-3/8	86
	3/4	1-3/4	45	1-3/4	45	3-3/8	86
	1	1-7/8	48	1-3/4	45	4-1/4	108
	1-1/4	2	51	1-5/8	42	4-7/8	124
	1-1/2	2-7/8	73	1-5/8	42	5-5/8	143
	2	3-1/8	80	2	51	5-5/8	143
	2-1/2	2-3/4	70	2-3/8	61	7-1/2	191
	3	3-1/8	80	2-5/8	67	8-7/8	226

M2804A

**Valve Type:** Globe Valve

**Body Pattern:** Two-way, Straight-through

**Connection Type:** Female NPT

**Controlled Medium:** Chilled or hot water with up to 50% Glycol; not for use with steam or fuels

**Leakage Rating:** 0.5% of Cv

**Maximum Differential for Quiet Water Service:** 20 psid (138 kPa)

**Fluid Temperature Range:** 40 F to 337 F (4 C to 169 C)

**Stem Travel:** 3/4 in. (20 mm)

**Bonnet Size:** 1 3/8 in. (35 mm)

**Valve Action:** Stem down to close

**ANSI/ASME Rating:** 150

**Actuation:** Must be purchased separately

**Approvals**

**CRN Number:** 0C0861.9087YTN

	Materials					
	Body	Cartridge	Packing	Plug/Bal/Disc	Seat	Stem
<b>V5011F</b>	Red Brass	Brass	Teflon and Nitrile	Brass plug with Teflon® disc	Brass	Stainless Steel
<b>V5011G</b>	Red Brass	—	Teflon Cone	Stainless Steel plug with carbon-loaded Teflon® disc	Stainless Steel	Stainless Steel

Commercial Components

Product Number	Valve Size		Flow Capacity		Flow Characteristic	Maximum Safe Operating Pressure		Used With
	(inch)	DN	(Cv)	(Kv)		(psi)	(kPa)	
<b>V5011F1105/U</b>	2 1/2 in.	DN65	63 Cv	54 kvs	Equal Percentage	217 psi at 250 F water; 250 psi at 100 F water	1496 psi at 121 C water; 1724 kPa at 38 C water	Q5001/Modutrol IV Motor; MP953; ML6420,21A,25; ML7420/ML7421A/ ML7425; ML6984/ML7984; Q5020/DCA
<b>V5011F1113/U</b>	3 in.	DN80	100 Cv	85 kvs	Equal Percentage	217 psi at 250 F water; 250 psi at 100 F water	1496 psi at 121 C water; 1724 kPa at 38 C water	Q5020/DCA; ML6984/ML7984; ML7420/ML7421A/ML7425; ML6420,21A,25; Q5001/Modutrol IV Motor; MP953
<b>V5011G1111/U</b>	2 1/2 in.	DN65	63 Cv	54 kvs	Linear	240 psi water at 150 F; 100 psi at 337 F steam	240 psi at 66 C; 690 kPa at 69C steam	ML6984/ML7984; Q5020/DCA; Q5001/ Modutrol IV Motor; MP953; ML6420,21A,25; ML7420/ML7421A/ ML7425
<b>V5011G1129/U</b>	3 in.	DN80	100 Cv	85 kvs	Linear	240 psi water at 150 F; 100 psi at 337 F steam	240 psi at 66 C; 690 kPa at 69C steam	ML7420/ML7421A/ML7425; ML6420,21A,25; Q5001/Modutrol IV Motor; MP953; Q5020/DCA; ML6984/ ML7984

# Flanged Globe Valves

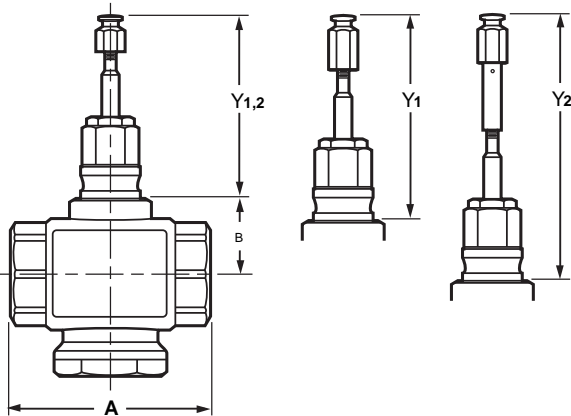
## V5011N Two-way Globe Valves



Used for two-position or modulating control of steam and water and glycol solutions (to 50 percent concentration) in heating or cooling systems.

- Sizes range from 1/2 to 2 inches
- Direct and reverse acting
- High pressure steam models with stainless steel trim
- Spring-loaded, self-adjusting packing
- Stainless steel stem prevents corrosion
- Valve designs provide equal percentage characteristics of flow for close control of water, and linear characteristic of flow for close control of steam or chilled water
- Valves utilize direct mounting, electric or pneumatic linear valve actuators; Q5001 linkage with Modutrol Motor; or Q5020/Q5022A linkages with direct coupled rotary actuators to operate the valve
- Not suitable for combustible gases

Dimensions in inches (millimeters)



VALVE SIZE (IN)	A in. (mm)	B in. (mm)
1/2	3-1/4 (83)	1-9/16 (40)
3/4		
1	4-1/16 (103)	
1-1/4	4-3/16 (106)	
1-1/2	4-3/4 (120)	1-13/16 (47)
2	5-1/4 (134)	

VALVE	Y1 in. (mm)	Y2 <sup>a</sup> in. (mm)
V5011N1XXX OR V5011N2XXX	3-1/2 (89)	5-1/4 (133)
V5011N3XXX	4-3/16 (107)	5-15/16 (151)
	STEM FULLY DOWN	
	STEM FULLY UP	

<sup>a</sup>Y<sub>2</sub> WITH STEM EXTENSION FOR MP953C,E (8 IN. ONLY)

M17378A

**Valve Type:** Globe Valve

**Body Pattern:** Two-way

**Connection Type:** Female NPT

**Controlled Medium:** Chilled or hot water with up to 50% Glycol; not for use with steam or fuels

**Leakage Rating:** Seat: 0.05% of Cv

**Maximum Differential for Quiet Water Service:** 20 psid (138 kPa)

**Maximum Differential Pressure Ratings (Close-off):** 240 psi (1655 kPa)

**Ambient Temperature Range:** 36 F to 248 F water (2 C to 120 C water)

**Stem Travel:** 3/4 in. (20 mm)

**Bonnet Size:** 1 3/8 in. (35 mm)

**ANSI/ASME Rating:** 150

**Actuation:** Must be purchased separately

**Materials**

**(Body):** Red Brass

**(Stem):** Stainless Steel

**(Seat):** Stainless Steel

**(Cartridge):** See table

**(Plug/Ball/Disc):** See table

**(Packing):** Teflon

**Approvals**

**CRN Number:** 0C0861.9087YTN/0C0861.99

Product Number	Valve Size		Flow Capacity		Flow Characteristic	Maximum Safe Operating Pressure		Valve Action	(Cartridge)	(Plug/Ball/Disc)	Used With
	(inch)	DN	(Cv)	(Kv)		(psi)	(kPa)				
V5011N1008/U	1/2 in.	DN15	0.73 Cv	0.63 kvs	Equal Percentage	217 psi at 248 F	1500 kPa at 120 C	Stem down to close	Brass	Brass	ML6984/ML7984; Q5020/DCA; Q5001/Modutrol IV Motor; MP953; ML6420,21A,25; ML7420/ML7421A/ML7425
V5011N1016/U	1/2 in.	DN15	1.2 Cv	1.0 kvs	Equal Percentage	217 psi at 248 F	1500 kPa at 120 C	Stem down to close	Brass	Brass	Q5020/DCA; ML6984/ML7984; Q5001/Modutrol IV Motor; MP953; ML7420/ML7421A/ML7425; ML6420,21A,25
V5011N1024/U	1/2 in.	DN15	1.85 Cv	1.6 kvs	Equal Percentage	217 psi at 248 F	1500 kPa at 120 C	Stem down to close	Brass	Brass	ML6984/ML7984; Q5020/DCA; Q5001/Modutrol IV Motor; MP953; ML6420,21A,25; ML7420/ML7421A/ML7425
V5011N1032/U	1/2 in.	DN15	2.9 Cv	2.5 kvs	Equal Percentage	217 psi at 248 F	1500 kPa at 120 C	Stem down to close	Brass	Brass	Q5020/DCA; ML6984/ML7984; Q5001/Modutrol IV Motor; MP953; ML7420/ML7421A/ML7425; ML6420,21A,25
V5011N1040/U	1/2 in.	DN15	4.7 Cv	4.0 kvs	Equal Percentage	217 psi at 248 F	1500 kPa at 120 C	Stem down to close	Brass	Brass	ML6984/ML7984; Q5020/DCA; Q5001/Modutrol IV Motor; MP953; ML6420,21A,25; ML7420/ML7421A/ML7425

# Flanged Globe Valves

Product Number	Valve Size		Flow Capacity		Flow Characteristic	Maximum Safe Operating Pressure		Valve Action	(Cartridge)	(Plug/Ball/Disc)	Used With
	(inch)	DN	(Cv)	(Kv)		(psi)	(kPa)				
V5011N1057/U	3/4 in.	DN20	7.3 Cv	6.3 kvs	Equal Percentage	217 psi at 248 F	1500 kPa at 120 C	Stem down to close	Brass	Brass	Q5020/DCA; ML6984/ML7984; Q5001/Modutrol IV Motor; MP953; ML7420/ML7421A/ML7425; ML6420,21A,25
V5011N1065/U	1 in.	DN25	11.7 Cv	10 kvs	Equal Percentage	217 psi at 248 F	1500 kPa at 120 C	Stem down to close	Brass	Brass	ML6984/ML7984; Q5020/DCA; Q5001/Modutrol IV Motor; MP953; ML6420,21A,25; ML7420/ML7421A/ML7425
V5011N1073/U	1 1/4 in.	DN32	18.7 Cv	16 kvs	Equal Percentage	217 psi at 248 F	1500 kPa at 120 C	Stem down to close	Brass	Brass	Q5020/DCA; ML6984/ML7984; Q5001/Modutrol IV Motor; MP953; ML7420/ML7421A/ML7425; ML6420,21A,25
V5011N1081/U	1 1/2 in.	DN40	29 Cv	25 kvs	Equal Percentage	217 psi at 248 F	1500 kPa at 120 C	Stem down to close	Brass	Brass	ML6984/ML7984; Q5020/DCA; Q5001/Modutrol IV Motor; MP953; ML6420,21A,25; ML7420/ML7421A/ML7425
V5011N1099/U	2 in.	DN50	46.8 Cv	40 kvs	Equal Percentage	217 psi at 248 F	1500 kPa at 120 C	Stem down to close	Brass	Brass	Q5020/DCA; ML6984/ML7984; Q5001/Modutrol IV Motor; MP953; ML7420/ML7421A/ML7425; ML6420,21A,25
V5011N2006/U	1/2 in.	DN15	0.73 Cv	0.63 kvs	Linear	100 psi/337 F steam	690 kPa/169C steam	Stem down to close	Stainless Steel	Stainless Steel	ML6984/ML7984; Q5020/DCA; Q5001/Modutrol IV Motor; MP953; ML6420,21A,25; ML7420/ML7421A/ML7425
V5011N2014/U	1/2 in.	DN15	1.2 Cv	1.0 kvs	Linear	100 psi/337 F steam	690 kPa/169C steam	Stem down to close	Stainless Steel	Stainless Steel	Q5020/DCA; ML6984/ML7984; Q5001/Modutrol IV Motor; MP953; ML7420/ML7421A/ML7425; ML6420,21A,25
V5011N2022/U	1/2 in.	DN15	1.85 Cv	1.6 kvs	Linear	100 psi/337 F steam	690 kPa/169C steam	Stem down to close	Stainless Steel	Stainless Steel	ML6984/ML7984; Q5020/DCA; Q5001/Modutrol IV Motor; MP953; ML6420,21A,25; ML7420/ML7421A/ML7425
V5011N2030/U	1/2 in.	DN15	2.9 Cv	2.5 kvs	Linear	100 psi/337 F steam	690 kPa/169C steam	Stem down to close	Stainless Steel	Stainless Steel	Q5020/DCA; ML6984/ML7984; Q5001/Modutrol IV Motor; MP953; ML7420/ML7421A/ML7425
V5011N2048/U	1/2 in.	DN15	4.7 Cv	4.0 kvs	Linear	100 psi/337 F steam	690 kPa/169C steam	Stem down to close	Stainless Steel	Stainless Steel	ML6984/ML7984; Q5020/DCA; Q5001/Modutrol IV Motor; MP953; ML6420,21A,25; ML7420/ML7421A/ML7425
V5011N2055/U	3/4 in.	DN20	7.3 Cv	6.3 kvs	Linear	100 psi/337 F steam	690 kPa/169C steam	Stem down to close	Stainless Steel	Stainless Steel	Q5020/DCA; ML6984/ML7984; Q5001/Modutrol IV Motor; MP953; ML7420/ML7421A/ML7425; ML6420,21A,25
V5011N2063/U	1 in.	DN25	11.7 Cv	10 kvs	Linear	100 psi/337 F steam	690 kPa/169C steam	Stem down to close	Stainless Steel	Stainless Steel	ML6984/ML7984; Q5020/DCA; Q5001/Modutrol IV Motor; MP953; ML6420,21A,25; ML7420/ML7421A/ML7425
V5011N2071/U	1 1/4 in.	DN32	18.7 Cv	16 kvs	Linear	100 psi/337 F steam	690 kPa/169C steam	Stem down to close	Stainless Steel	Stainless Steel	Q5020/DCA; ML6984/ML7984; Q5001/Modutrol IV Motor; MP953; ML7420/ML7421A/ML7425; ML6420,21A,25
V5011N2089/U	1 1/2 in.	DN40	29 Cv	25 kvs	Linear	100 psi/337 F steam	690 kPa/169C steam	Stem down to close	Stainless Steel	Stainless Steel	ML6984/ML7984; Q5020/DCA; Q5001/Modutrol IV Motor; MP953; ML6420,21A,25; ML7420/ML7421A/ML7425
V5011N2097/U	2 in.	DN50	46.8 Cv	40 kvs	Linear	100 psi/337 F steam	690 kPa/169C steam	Stem down to close	Stainless Steel	Stainless Steel	Q5020/DCA; ML6984/ML7984; Q5001/Modutrol IV Motor; MP953; ML7420/ML7421A/ML7425; ML6420,21A,25
V5011N3004/U	1/2 in.	DN15	2.9 Cv	2.5 kvs	Equal Percentage	217 psi at 248 F	1500 kPa at 120 C	Stem up to close	Brass	Brass	MP953; ML6984/ML7984; Q5020/DCA; Q5001/Modutrol IV Motor; ML6420,21A,25; ML7420/ML7421A/ML7425
V5011N3012/U	1/2 in.	DN15	4.7 Cv	4.0 kvs	Equal Percentage	217 psi at 248 F	1500 kPa at 120 C	Stem up to close	Brass	Brass	MP953; ML6984/ML7984; Q5020/DCA; Q5001/Modutrol IV Motor; ML6420,21A,25; ML7420/ML7421A/ML7426
V5011N3020/U	3/4 in.	DN20	7.3 Cv	6.3 kvs	Equal Percentage	217 psi at 248 F	1500 kPa at 120 C	Stem up to close	Brass	Brass	MP953; ML6984/ML7984; Q5020/DCA; Q5001/Modutrol IV Motor; ML6420,21A,25; ML7420/ML7421A/ML7427
V5011N3038/U	1 in.	DN25	11.7 Cv	10 kvs	Equal Percentage	217 psi at 248 F	1500 kPa at 120 C	Stem up to close	Brass	Brass	MP953; ML6984/ML7984; Q5020/DCA; Q5001/Modutrol IV Motor; ML6420,21A,25; ML7420/ML7421A/ML7428
V5011N3046/U	1 1/4 in.	DN32	18.7 Cv	16 kvs	Equal Percentage	217 psi at 248 F	1500 kPa at 120 C	Stem up to close	Brass	Brass	MP953; ML6984/ML7984; Q5020/DCA; Q5001/Modutrol IV Motor; ML6420,21A,25; ML7420/ML7421A/ML7429

Commercial Components