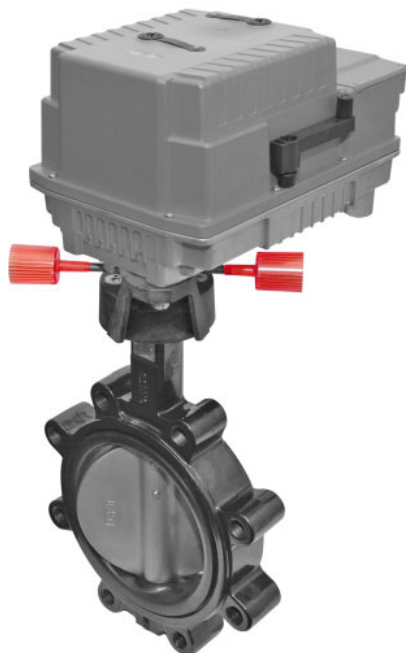


Honeywell

VR2, VR3, VR4, VR5 Resilient Seat Butterfly Valves with Lugged Connections

PRODUCT DATA



Two-Way Valves (VR2)

- Sizes from 2 to 24 inches with ANSI Class 125/150 lug pipe connections
- Modified equal percentage flow characteristic
- Spring fail safe available on 2 and 2.5 inch models, Electronic fail safe available on 3 to 12 inch models
- NEMA 2 and NEMA 4X actuators available on valves 5 inch and smaller, NEMA 4X actuators available on valves 5 inch to 24 inch

Three-Way Valve Assemblies (VR3,4,5)

- Sizes from 2 to 18 inches with ANSI Class 125/150 lug pipe connections
- Mixing or diverting control
- Modified linear flow characteristic
- Standard cast-iron pipe T included
- Multiple port configurations available to fit different applications
- Spring fail safe available on 2 inch models, Electronic fail safe available on 2.5 to 12 inch models
- NEMA 2 and NEMA 4X actuators available on valves 3 inch and smaller, NEMA 4X available on valves 3 inch to 18 inch

FEATURES

All Models

- Bi-directional flow
- 304 stainless steel disks
- Ductile iron valve body for increased strength and durability
- Stainless steel valve stem
- EPDM resilient valve seat doubles as flange gasket
- Bubble-tight seat leakage at rated close-off
- Close-off rating of 200 psid in sizes 2 in. to 12 in.
- Close-off rating of 150 psid in sizes 14 in. to 24 in.
- ISO 5211 actuator mounting flange
- Available with factory-installed electric actuation interfaces in 2-position, Floating (“tri-state”), or Modulating (2-10 Vdc) Control
- Manual override on all models
- Fail-safe actuators available on valves up to 12 inches
- For use with hot, chilled or condensing water with up to 60% glycol in HVAC systems

Contents

| | |
|-------------------------------|----|
| FEATURES | 1 |
| SPECIFICATIONS | 2 |
| DIMENSIONAL DRAWINGS | 5 |
| ACTUATOR SPECIFICATIONS | 16 |
| 3-WAY VALVE PATTERNS | 20 |
| INSTALLATION | 22 |



31-00190EF-02

SPECIFICATIONS

NOTE: All specifications were accurate at time of publication. Honeywell reserves the right to improve or discontinue products without prior notification. To obtain the latest technical literature, please consult the website at <http://>

Models:

See Table 1

Dimensions:

See Fig. 1–21

Mounting:

for ASME/ANSI class 125/150 flanges

Body Style:

Two-way or Three-way lugged butterfly valve

Body Size:

2-way: 2 in. to 24 in.

3-way: 2 in. to 18 in.

Flow Characteristics:

2-way: modified equal percentage

3-way: modified linear

Body Static Pressure Rating (maximum):

Consistent with ASME/ANSI Class 125

Cold Working Pressure:

232 psi

Close-Off Pressure Rating (maximum differential):

2 in. to 12 in. valves: 200 psi

14 in. to 24 in. valves: 150 psi

Controlled Media:

Chilled or hot water up to 60% glycol

Media Temperature range:

-22 °F to 250 °F (-30 °C to 121 °C)

Maximum velocity:

12 fps (3.7 m/s)

Materials:

Body:

2 in. to 6 in. and 14 in. to 24 in.: epoxy powder coated ductile iron ASTM A536.

8 in. to 12 in.: polyester powder coated ductile iron ASTM A536

Disk: 304 stainless steel

Shaft:

2 in. to 6 in. and 14 in. to 24 in.: 416 stainless steel

8 in. to 12 in.: 420 stainless steel

Seat: EPDM

O-rings: EPDM

Bushings:

2 in. to 6 in. and 14 in. to 24 in.: RPTFE

8 in. to 12 in.: bronze, steel, PTFE

Approvals/Standards:

Close-off: Bubble-tight design up to rated close-off pressure.

Actuators on valves 12 inch and smaller: cULus, CE

Actuators on valves 14 inch and larger: cCSAus, CE

Actuator Ambient Temperature Ratings:

See Table

Accessories:

MB-IND-1

Position Indicator Small

MB-IND-2

Position Indicator Large

MB-NSR-SWITCH

NSR DCA Aux Switch

MB-NSR-N4HEAT

NSR NEMA4 DCA Heater Kit

(Must be ordered with valve, factory installed)

MB-SR-N4HEAT

SR NEMA4 DCA Heater Kit

(Must be ordered with valve, factory installed)

Table 1. Butterfly valve assembly model selection

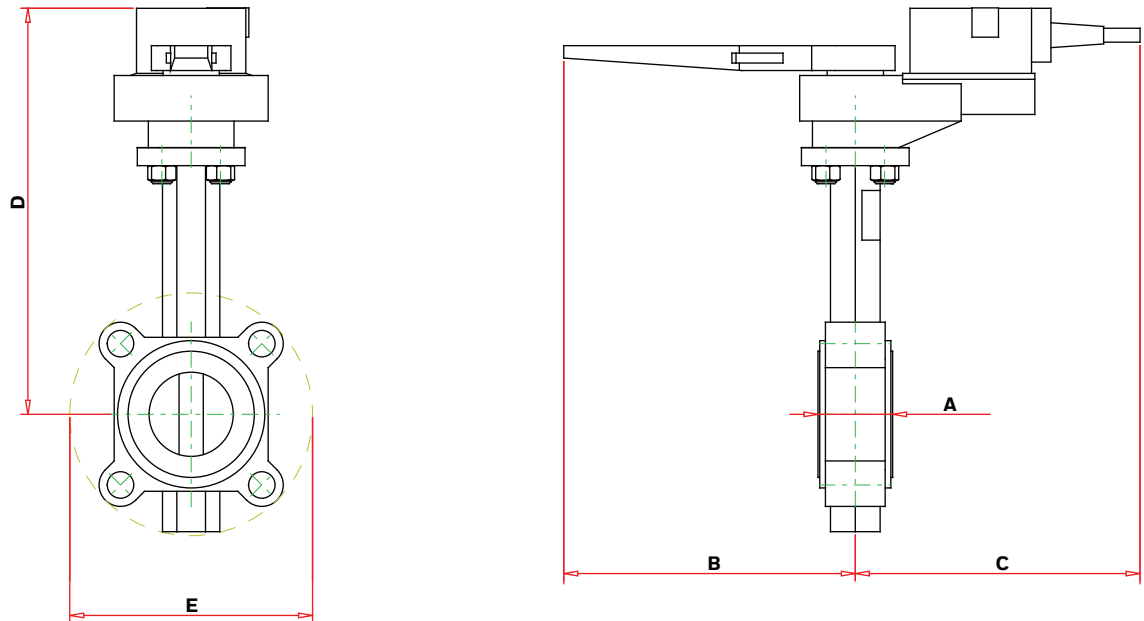
| Butterfly Valve | Connection Type | Body Pattern | Valve Size | Actuator Control Signal | Actuator Voltage | Fail Safe Function | Voltage / Switch Feedback | Nema Rating | Description | |
|-----------------|---------------------------|--|--|-------------------------|------------------|--------------------|---------------------------|-------------|--|--|
| V | Valve, Lugged (butterfly) | | | | | | | | | |
| | R | Resilient Seat ANSI 125/150 (Standard) | | | | | | | | |
| | | 2 | 2-way | | | | | | | |
| | | 3 | 3-way configurations (see Fig. 20) | | | | | | | |
| | | 4 | | | | | | | | |
| | | 5 | | | | | | | | |
| | | 5 | | | | | | | | |
| | | F | 2 inch (DN 50) | | | | | | | |
| | | G | 2.5 inch (DN 65) | | | | | | | |
| | | H | 3 inch (DN 80) | | | | | | | |
| | | J | 4 inch (DN 100) | | | | | | | |
| | | K | 5 inch (DN 125) | | | | | | | |
| | | L | 6 inch (DN 150) | | | | | | | |
| | | M | 8 inch (DN 200) | | | | | | | |
| | | N | 10 inch (DN 250) | | | | | | | |
| | | P | 12 inch (DN 300) | | | | | | | |
| | | R | 14 inch (DN 350) | | | | | | | |
| | S | 16 inch (DN 400) | | | | | | | | |
| | T | 18 inch (DN 450) | | | | | | | | |
| | U | 20 inch (DN 500) 2-way only | | | | | | | | |
| | V | 24 inch (DN 600) 2-way only | | | | | | | | |
| | | 6 | Floating / Two-Position (SPDT) | | | | | | | |
| | | 7 | Analog Modulating (0)2-10 Vdc | | | | | | | |
| | | 8 | Two-Position (SPST) | | | | | | | |
| | | L | 24 Vac/Vdc | | | | | | | |
| | | H | 120 Vac | | | | | | | |
| | | U | 24-240 Vac / 24-125 Vdc | | | | | | | |
| | | P | Fail in place | | | | | | | |
| | | S | Spring Return A-port (Master) fail safe open | | | | | | | |
| | | T | Spring Return A-port (Master) fail safe closed | | | | | | | |
| | | E | Electronic Fail Safe (default fail closed, field adjustable) | | | | | | | |
| | | N | No Feedback | | | | | | | |
| | F | Analog Feedback | | | | | | | | |
| | S | Built in Aux Switches | | | | | | | | |
| | B | Both Analog Feedback and Aux Switches | | | | | | | | |
| | 2 | NEMA 2 | | | | | | | | |
| | 4 | NEMA 4X | | | | | | | | |
| | H | NEMA 4X (with Heater) | | | | | | | | |
| V | R | 2 | H | 7 | L | P | F | 2 | Example: 2-WAY, 3 INCH, RESILIENT SEAT BUTTERFLY VALVE, CV302, CLOSE-OFF 200PSI, 24VAC, 2-10VDC, 150S, FAIL-SAFE IN PLACE, FEEDBACK, NEMA2, (INCLUDES MBP7L4F2/U ACTUATOR) | |

Table 2. Butterfly valve replacement actuator model selection

| Type | Fail safe | Control | Power | Actuator type | Feedback | Nema | Description |
|-----------|---------------------------------------|---|----------|---------------|----------|----------|--|
| MB | Motor Butterfly | | | | | | |
| | S | Spring fail-safe | | | | | |
| | E | Electronic fail-safe | | | | | |
| | P | Fail-in-place | | | | | |
| | 6 | Floating / Two-Position (SPST) | | | | | |
| | 7 | Analog Modulating (0)2-10 VDC | | | | | |
| | 8 | Two-Position (SPST) | | | | | |
| | L | 24 Vac/Vdc | | | | | |
| | H | 120 Vac | | | | | |
| | U | 24-240 Vac / 24-125 Vdc | | | | | |
| | 1 | SR 180 in-lb | | | | | |
| | 2 | NSR 180 in-lb | | | | | |
| | 3 | SR 180 in-lb | | | | | |
| | A | NSR 180 in-lb | | | | | |
| | 4 | EFS/FIP 360 in-lb (2-way VR) | | | | | |
| | R | EFS/FIP 360 in-lb (VH and 3-way VR) | | | | | |
| | 5 | EFS/FIP 800 in-lb | | | | | |
| | 6 | EFS/FIP 1400 in-lb (3, 4, 5, 6, 12 inch valves) | | | | | |
| | 7 | EFS/FIP 1400 in-lb (8 inch valves) | | | | | |
| | 8 | EFS/FIP 1400 in-lb (10 inch valves) | | | | | |
| | 9 | FIP 3540 in-lb | | | | | |
| | B | FIP 4425 in-lb | | | | | |
| | C | FIP 5755 in-lb | | | | | |
| | D | FIP 8850 in-lb | | | | | |
| | E | FIP 13275 in-lb | | | | | |
| | F | FIP 17700 in-lb | | | | | |
| | G | FIP 22125 in-lb | | | | | |
| H | FIP 26550 in-lb | | | | | | |
| N | No feedback | | | | | | |
| F | Analog feedback | | | | | | |
| S | Built in Aux Switches | | | | | | |
| B | Both Analog Feedback and Aux Switches | | | | | | |
| 2 | NEMA 2 | | | | | | |
| 4 | NEMA 4X | | | | | | |
| H | NEMA 4X (with HEATER) | | | | | | |
| MB | S | 8 | U | 1 | N | 2 | Example: BUTTERFLY VALVE ACTUATOR FOR VR AND VH SERIES, SPRING RETURN, 2-POSITION, 24-240VAC, 180 LB-IN, NEMA2 |

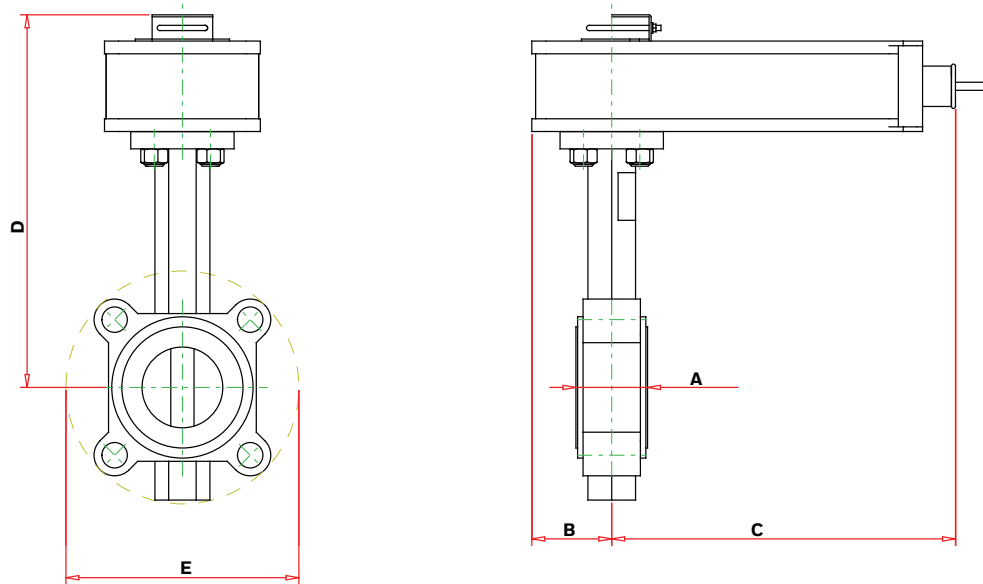
NOTE: The tables above are intended to explain the significance of the butterfly valve and actuator part numbering system, and is not a product configuration tool. Only part numbers printed in Honeywell price books may be ordered. Please refer to cpq.honeywell.com for available configurations.

DIMENSIONAL DRAWINGS



| Size | | Dimensions, in. (mm) | | | | |
|------|----|----------------------|------------|------------|-------------|------------|
| in. | DN | A | B | C | D | E |
| 2 | 50 | 1.77 (45) | 6.93 (176) | 6.77 (172) | 9.65 (245) | 5.77 (147) |
| 2.5 | 65 | 1.90 (48) | 6.93 (176) | 6.77 (172) | 10.20 (259) | 6.52 (166) |

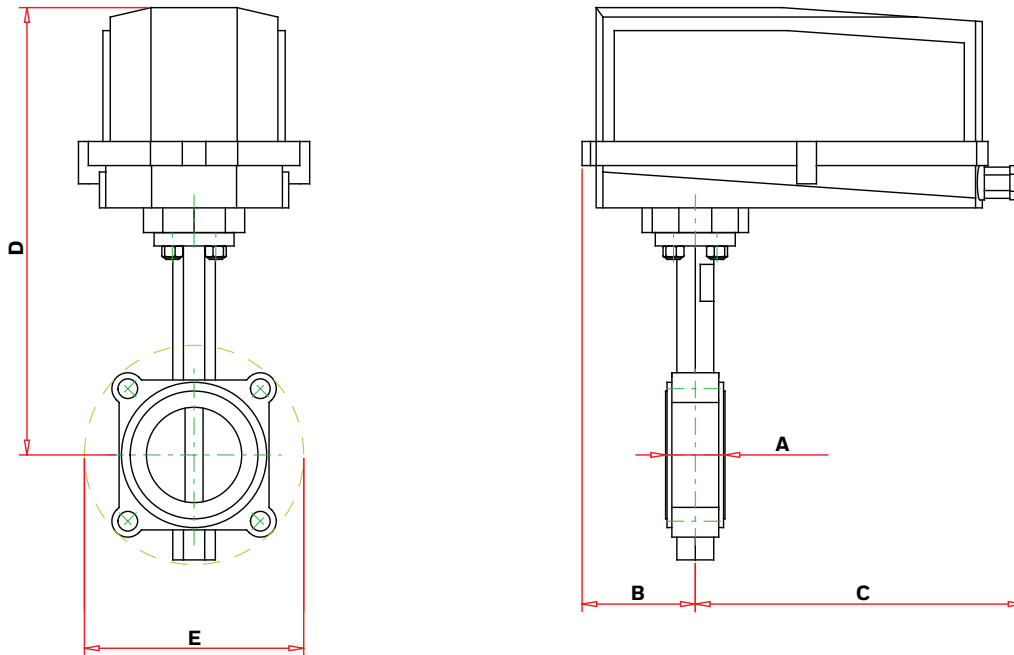
Fig. 1. 2-way valves with NEMA 2 MBP... 2,3 actuators



| Size | | Dimensions, in. (mm) | | | | |
|------|----|----------------------|-----------|------------|------------|------------|
| in. | DN | A | B | C | D | E |
| 2 | 50 | 1.77 (45) | 1.98 (50) | 8.52 (216) | 9.23 (234) | 5.77 (147) |
| 2.5 | 65 | 1.90 (48) | 1.98 (50) | 8.52 (216) | 9.78 (248) | 6.52 (166) |

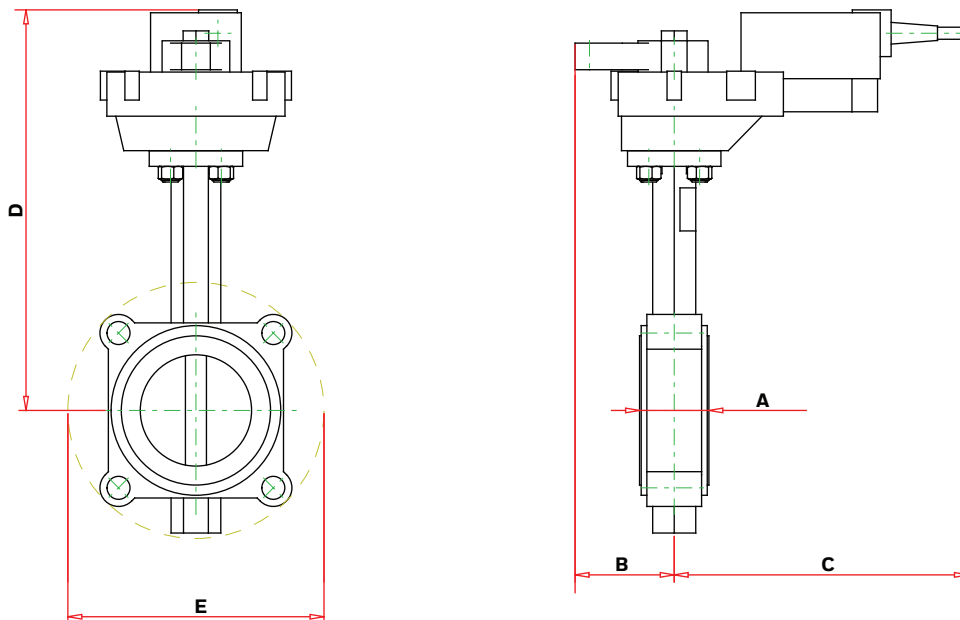
Fig. 2. 2-way valves with NEMA 2 MBS...3 actuators

VR2, VR3, VR4, VR5 RESILIENT SEAT BUTTERFLY VALVES WITH LUGGED CONNECTIONS



| Size | | Dimensions, in. (mm) | | | | |
|------|----|----------------------|-----------|-------------|-------------|------------|
| in. | DN | A | B | C | D | E |
| 2 | 50 | 1.77 (45) | 3.62 (92) | 10.49 (266) | 13.54 (344) | 5.77 (147) |
| 2.5 | 65 | 1.90 (48) | 3.62 (92) | 10.49 (266) | 14.09 (358) | 6.52 (166) |
| 3 | 80 | 1.90 (48) | 3.62 (92) | 10.49 (266) | 14.32 (364) | 7.02 (178) |

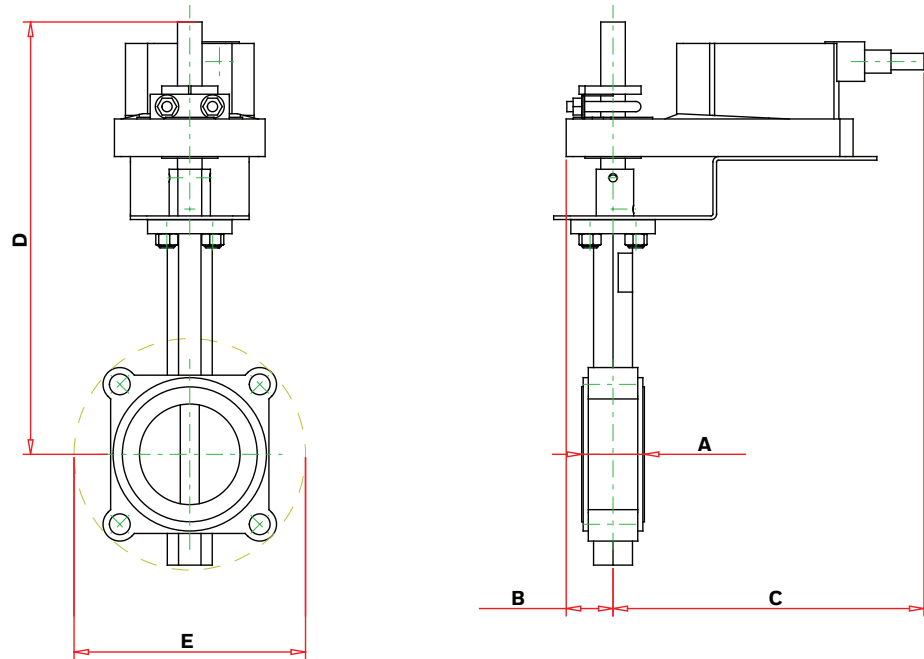
Fig. 3. 2-way valves with NEMA 4 MBP,E...3,4 actuators



| Size | | Dimensions, in. (mm) | | | | |
|------|----|----------------------|-----------|------------|-------------|------------|
| in. | DN | A | B | C | D | E |
| 3 | 80 | 1.90 (48) | 2.72 (69) | 8.06 (205) | 10.98 (279) | 7.02 (178) |

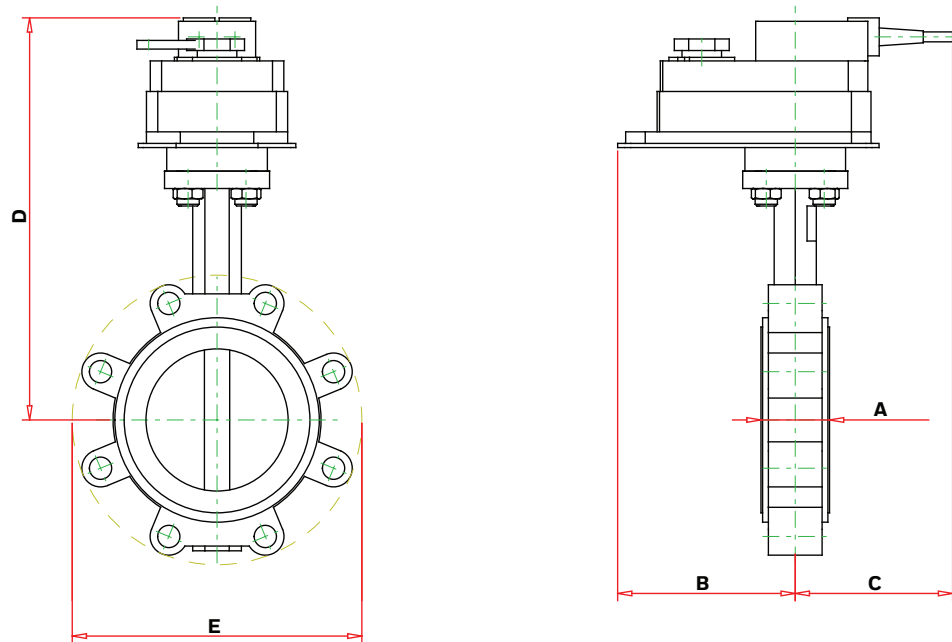
Fig. 4. 2-way valves with NEMA 2 MBP...4 actuators

VR2, VR3, VR4, VR5 RESILIENT SEAT BUTTERFLY VALVES WITH LUGGED CONNECTIONS



| Size | | Dimensions, in. (mm) | | | | |
|------|----|----------------------|-----------|------------|-------------|------------|
| in. | DN | A | B | C | D | E |
| 3 | 80 | 1.90 (48) | 1.42 (36) | 9.43 (240) | 13.11 (333) | 7.02 (178) |

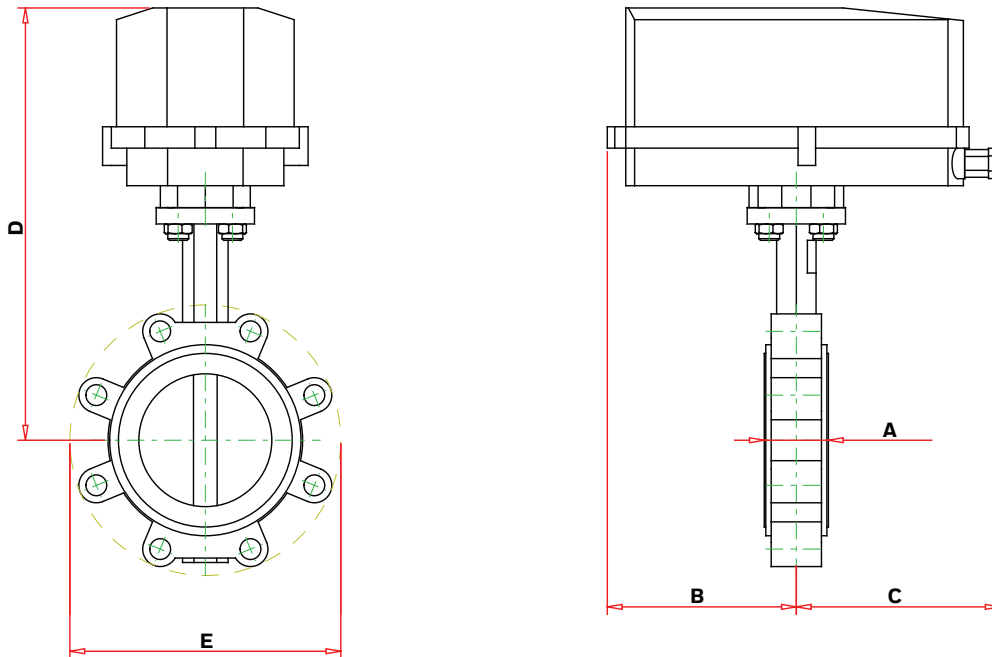
Fig. 5. 2-way valves with NEMA 2 MBE...4 actuators



| Size | | Dimensions, in. (mm) | | | | |
|------|-----|----------------------|------------|------------|-------------|------------|
| in. | DN | A | B | C | D | E |
| 4 | 100 | 2.12 (55) | 5.99 (152) | 5.30 (135) | 13.03 (331) | 8.52 (216) |
| 5 | 125 | 2.31 (59) | 5.99 (152) | 5.30 (135) | 13.55 (344) | 9.76 (248) |

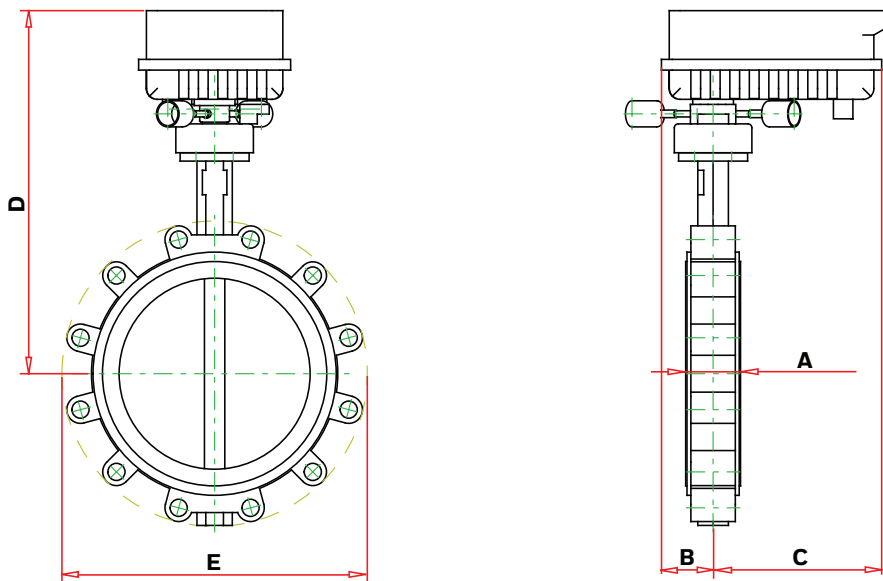
Fig. 6. 2-way valves with NEMA 2 MBP,E...5 actuators

VR2, VR3, VR4, VR5 RESILIENT SEAT BUTTERFLY VALVES WITH LUGGED CONNECTIONS



| Size | | Dimensions, in. (mm) | | | | |
|------|-----|----------------------|------------|------------|-------------|------------|
| in. | DN | A | B | C | D | E |
| 4 | 100 | 2.15 (55) | 6.81 (173) | 7.34 (186) | 15.07 (383) | 8.52 (216) |
| 5 | 125 | 2.31 (59) | 6.81 (173) | 7.34 (186) | 15.59 (396) | 9.76 (248) |

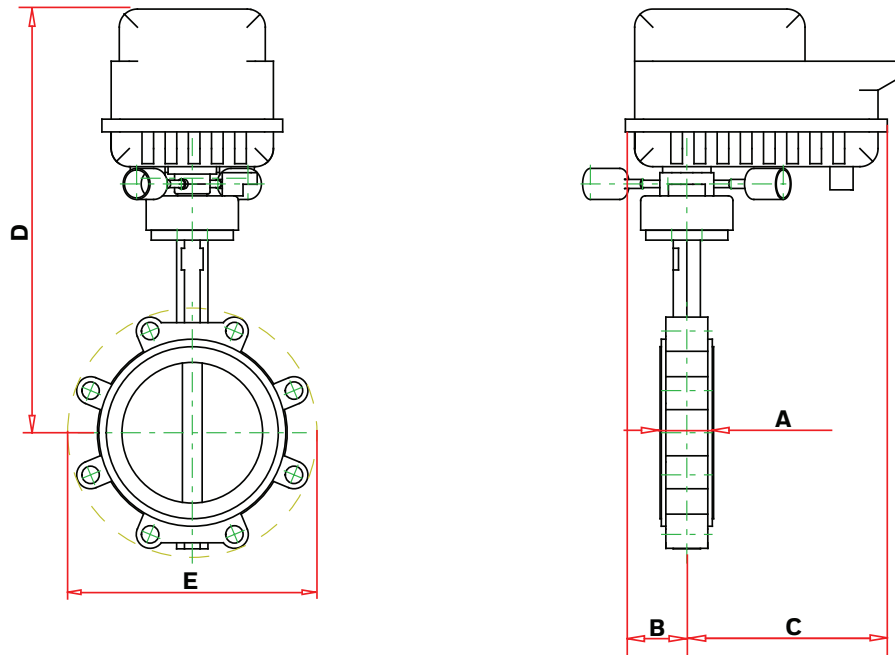
Fig. 7. 2-way valves with NEMA 4 MBP,E...5 actuators



| Size | | Dimensions, in. (mm) | | | | |
|------|-----|----------------------|-----------|------------|-------------|-------------|
| in. | DN | A | B | C | D | E |
| 6 | 150 | 2.20 (56) | 2.65 (67) | 9.30 (236) | 16.03 (407) | 10.76 (273) |
| 8 | 200 | 2.36 (60) | 2.65 (67) | 9.30 (236) | 17.37 (441) | 13.02 (331) |
| 10 | 250 | 2.68 (68) | 2.65 (67) | 9.30 (236) | 18.63 (473) | 15.68 (398) |
| 12 | 300 | 3.07 (78) | 2.65 (67) | 9.30 (236) | 20.40 (518) | 18.40 (467) |

Fig. 8. 2-way valves with MBP...6,7,8 actuators

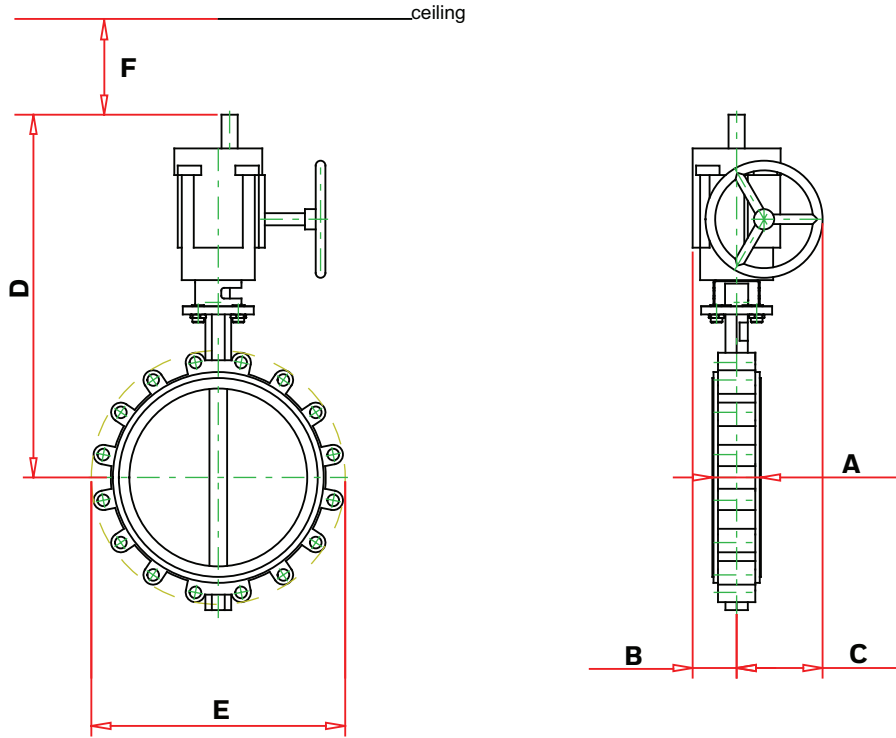
VR2, VR3, VR4, VR5 RESILIENT SEAT BUTTERFLY VALVES WITH LUGGED CONNECTIONS



| Size | | Dimensions, in. (mm) | | | | |
|------|-----|----------------------|-----------|------------|-------------|-------------|
| in. | DN | A | B | C | D | E |
| 5 | 125 | 2.20 (56) | 2.65 (67) | 9.30 (236) | 17.77 (451) | 9.76 (248) |
| 6 | 150 | 2.20 (56) | 2.65 (67) | 9.30 (236) | 18.28 (464) | 10.76 (273) |
| 8 | 200 | 2.36 (60) | 2.65 (67) | 9.30 (236) | 19.62 (498) | 12.96 (329) |
| 10 | 250 | 2.68 (68) | 2.65 (67) | 9.30 (236) | 20.88 (530) | 15.66 (398) |
| 12 | 300 | 3.07 (78) | 2.65 (67) | 9.30 (236) | 22.65 (575) | 18.40 (467) |

Fig. 9. 2-way valves with MBE...6,7,8 actuators

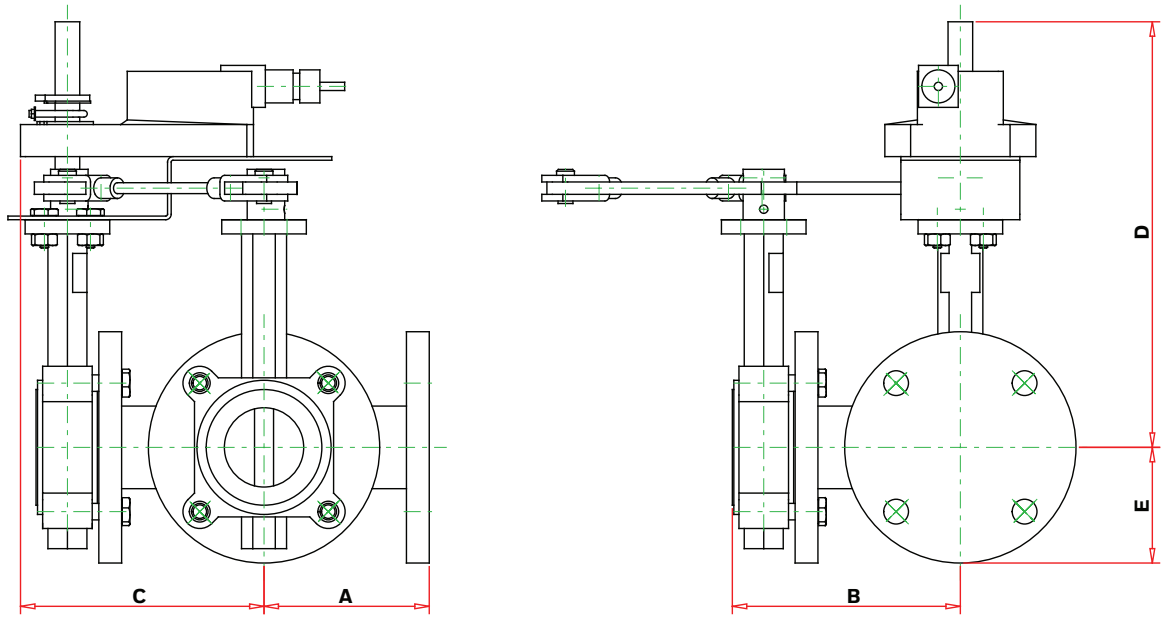
VR2, VR3, VR4, VR5 RESILIENT SEAT BUTTERFLY VALVES WITH LUGGED CONNECTIONS



| Size | | Dimensions, in. (mm) | | | | | |
|------|-----|----------------------|------------|-------------|--------------|-------------|-------------|
| in. | DN | A | B | C | D | E | F |
| 14 | 350 | 3.22 (82) | 4.40 (112) | 7.13 (181) | 26.97 (685) | 20.39 (518) | 15.07 (383) |
| 16 | 400 | 4.22 (107) | 4.40 (112) | 7.13 (181) | 30.77 (782) | 22.89 (581) | 16.70 (424) |
| 18 | 450 | 4.71 (120) | 4.27 (109) | 8.35 (212) | 35.22 (895) | 24.65 (626) | 19.87 (505) |
| 20 | 500 | 5.25 (133) | 4.27 (109) | 8.35 (212) | 37.50 (953) | 26.89 (683) | 19.16 (487) |
| 24 | 600 | 6.36 (162) | 3.18 (81) | 14.98 (381) | 43.93 (1116) | 31.64 (804) | 21.66 (550) |

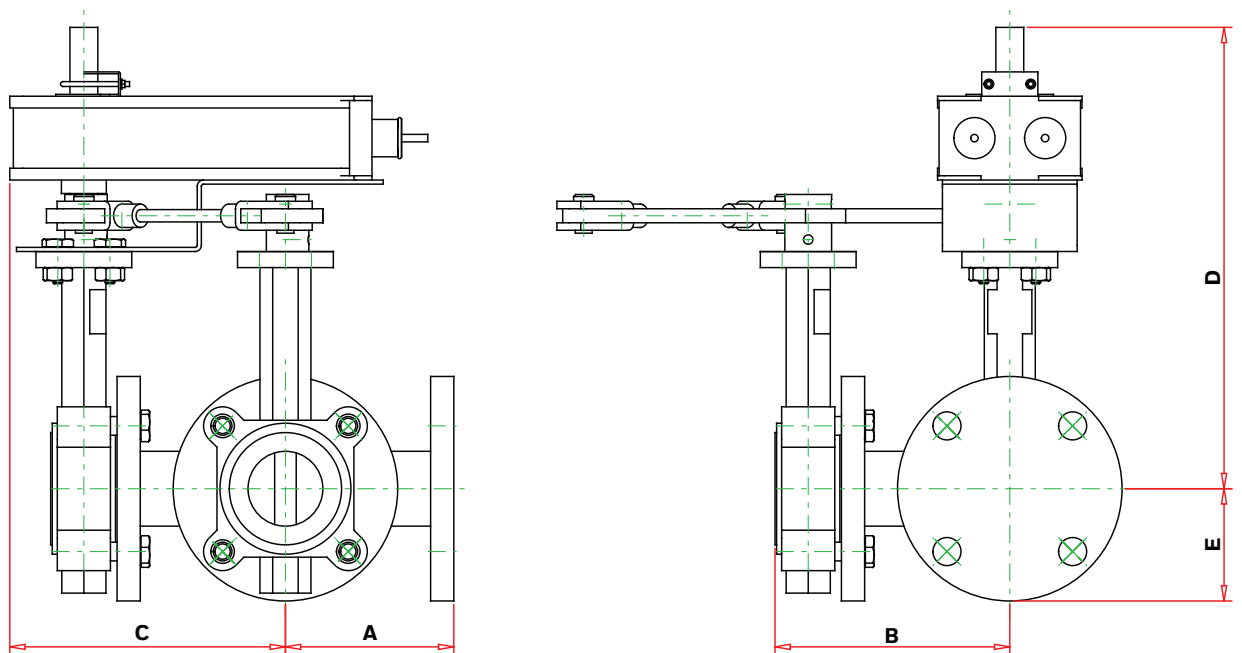
Fig. 10. 2-way valves with MBP...B,C,E,H actuators

VR2, VR3, VR4, VR5 RESILIENT SEAT BUTTERFLY VALVES WITH LUGGED CONNECTIONS



| Size | | Dimensions, in. (mm) | | | | |
|------|----|----------------------|------------|------------|-------------|-----------|
| in. | DN | A | B | C | D | E |
| 2 | 50 | 4.50 (114) | 6.27 (159) | 6.57 (167) | 12.33 (313) | 3.00 (76) |
| 2.5 | 65 | 5.00 (127) | 6.90 (175) | 7.37 (187) | 12.88 (327) | 3.50 (89) |

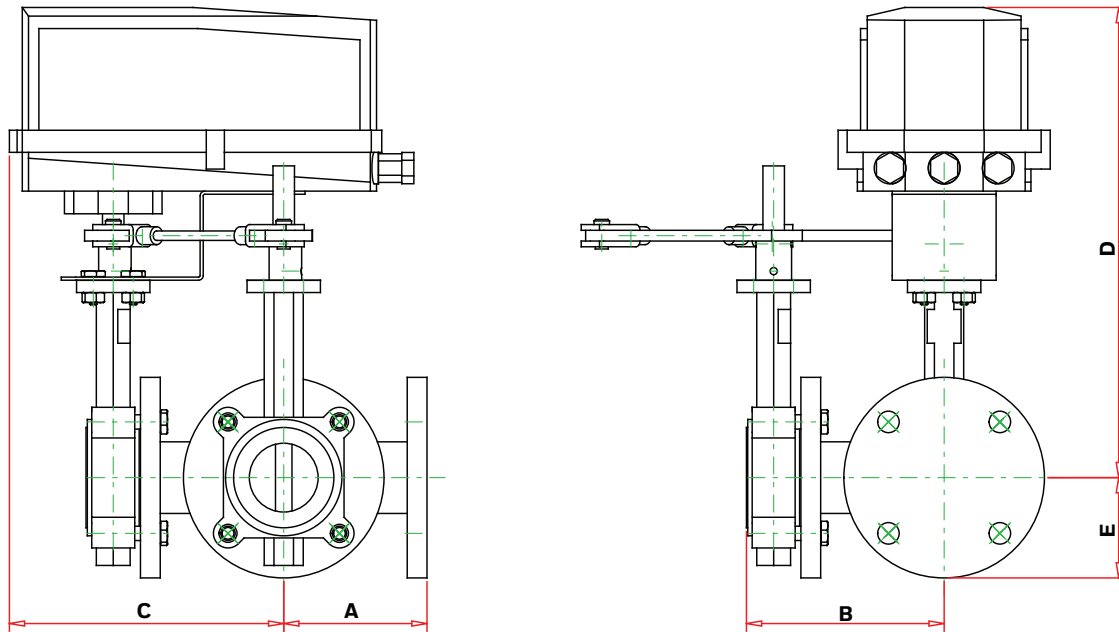
Fig. 11. 3-way valves with NEMA 2 MBP,E...2,3,A,R actuators



| Size | | Dimensions, in. (mm) | | | | |
|------|----|----------------------|------------|------------|-------------|-----------|
| in. | DN | A | B | C | D | E |
| 2 | 50 | 4.50 (114) | 6.27 (159) | 7.37 (187) | 12.33 (313) | 3.00 (76) |

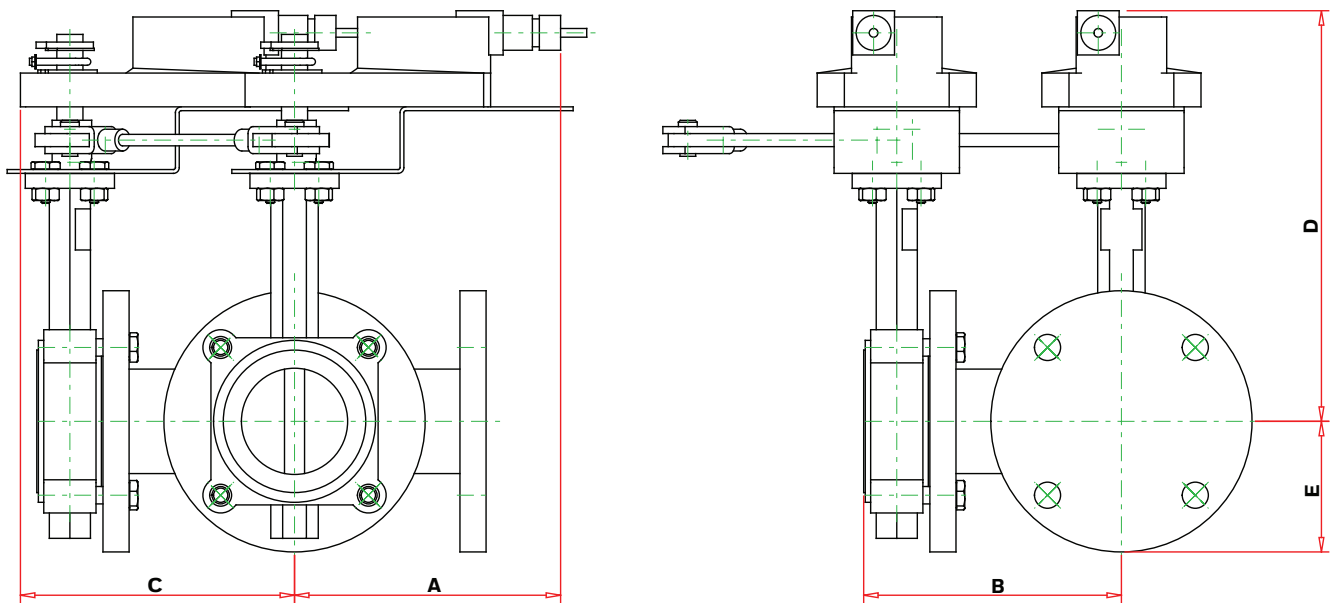
Fig. 12. 3-way valves with NEMA 2 MBS...1,3 actuators

VR2, VR3, VR4, VR5 RESILIENT SEAT BUTTERFLY VALVES WITH LUGGED CONNECTIONS



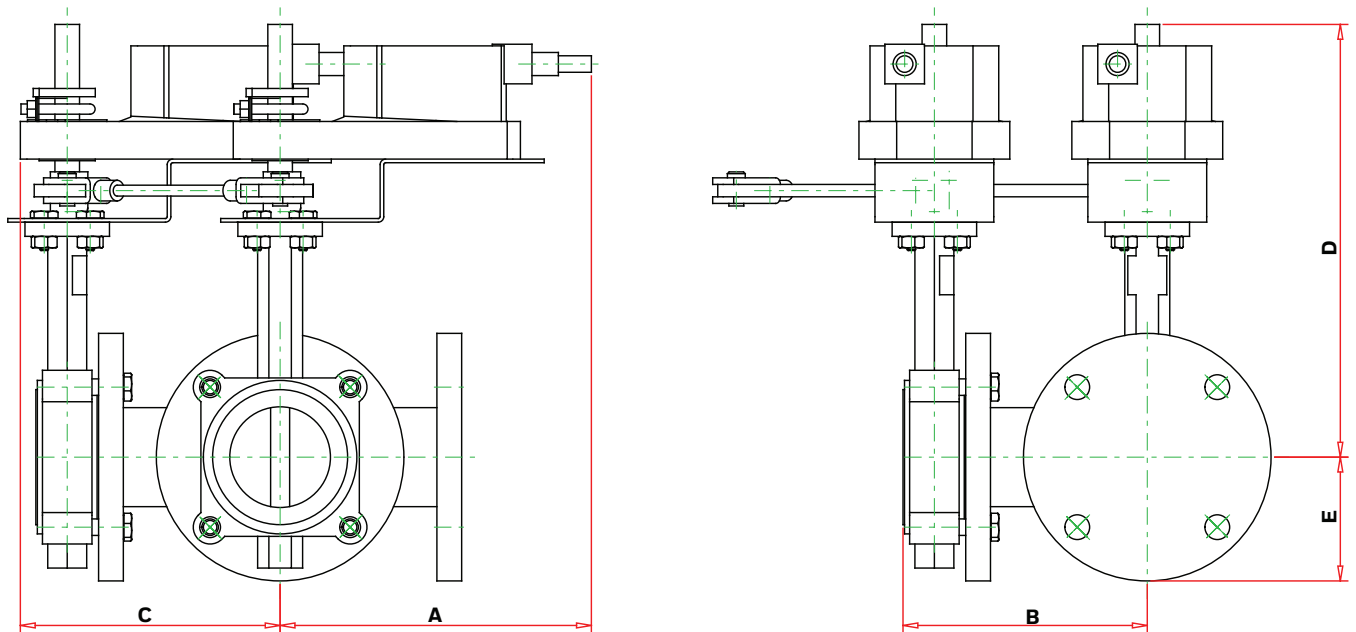
| Size | | Dimensions, in. (mm) | | | | |
|------|----|----------------------|------------|------------|-------------|-----------|
| in. | DN | A | B | C | D | E |
| 2 | 50 | 4.50 (114) | 6.27 (159) | 9.01 (229) | 15.86 (403) | 3.00 (76) |
| 2.5 | 65 | 5.00 (127) | 6.90 (175) | 9.57 (243) | 16.41 (417) | 3.50 (89) |

Fig. 13. 3-way valves with NEMA 4 MBP,E...R actuators



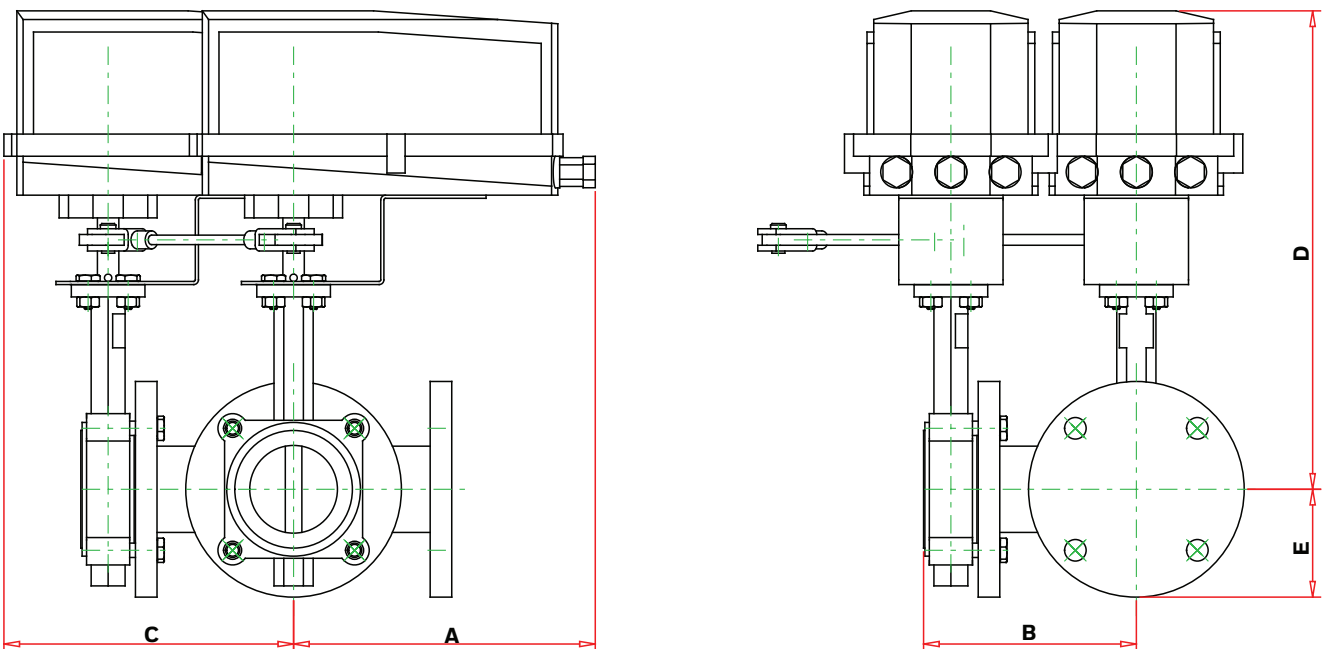
| Size | | Dimensions, in. (mm) | | | | |
|------|----|----------------------|------------|------------|-------------|-----------|
| in. | DN | A | B | C | D | E |
| 3 | 80 | 7.64 (194) | 7.40 (188) | 7.87 (200) | 11.79 (300) | 3.75 (95) |

Fig. 14. 3-way valves with NEMA 2 MBP...R actuators



| Size | | Dimensions, in. (mm) | | | | |
|------|----|----------------------|------------|------------|-------------|-----------|
| in. | DN | A | B | C | D | E |
| 3 | 80 | 9.43 (240) | 7.40 (188) | 7.87 (200) | 13.11 (333) | 3.75 (95) |

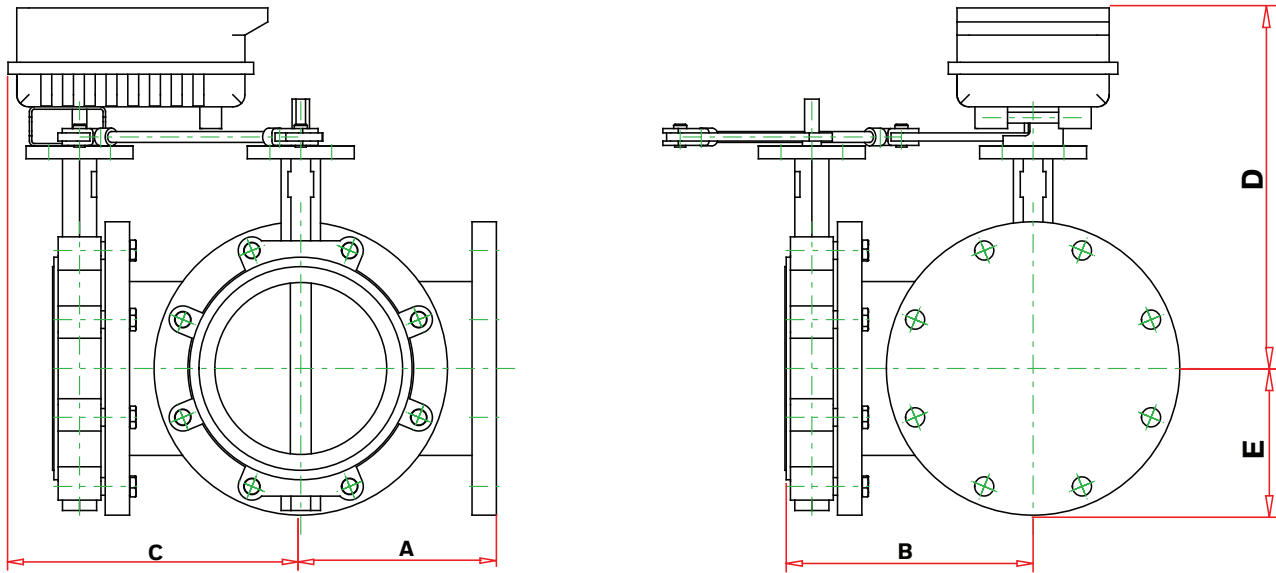
Fig. 15. 3-way valves with NEMA 2 MBE...R actuators



| Size | | Dimensions, in. (mm) | | | | |
|------|----|----------------------|------------|-------------|-------------|-----------|
| in. | DN | A | B | C | D | E |
| 3 | 80 | 10.49 (266) | 7.40 (188) | 10.07 (256) | 16.64 (423) | 3.75 (95) |

Fig. 16. 3-way valves with NEMA 4 MBP...R actuators

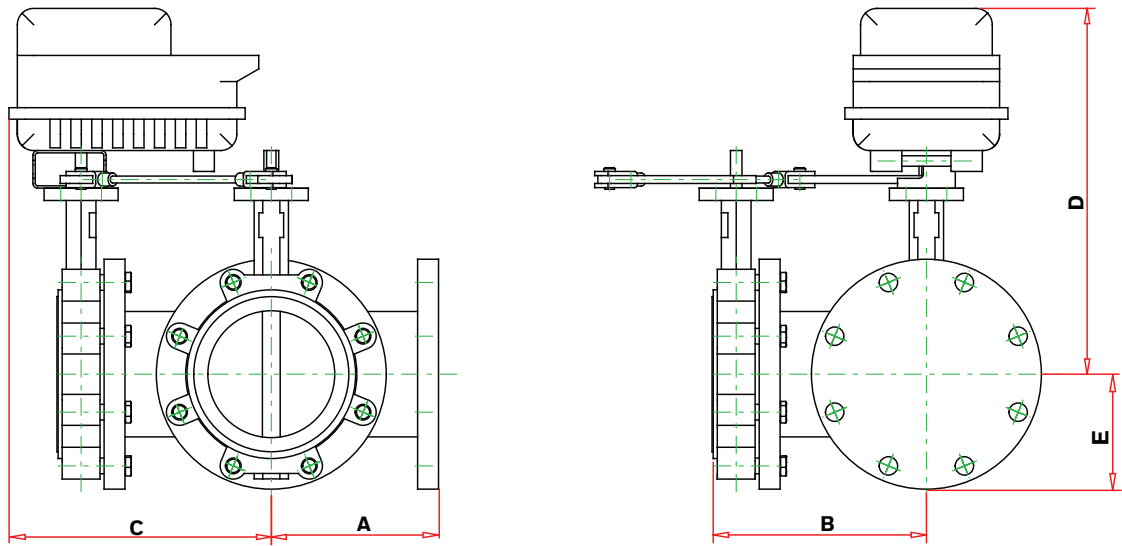
VR2, VR3, VR4, VR5 RESILIENT SEAT BUTTERFLY VALVES WITH LUGGED CONNECTIONS



| Size | | Dimensions, in. (mm) | | | | |
|------|-----|----------------------|-------------|-------------|-------------|------------|
| in. | DN | A | B | C | D | E |
| 3 | 80 | 5.50 (140) | 7.56 (192) | 8.89 (226) | 14.97 (380) | 3.75 (95) |
| 4 | 100 | 6.50 (165) | 8.55 (217) | 11.13 (283) | 14.22 (361) | 4.50 (114) |
| 5 | 125 | 7.50 (191) | 9.70 (246) | 12.05 (306) | 14.74 (374) | 5.00 (127) |
| 6 | 150 | 8.00 (203) | 10.20 (256) | 12.55 (319) | 15.25 (387) | 5.50 (140) |
| 8 | 200 | 9.00 (229) | 11.36 (289) | 13.47 (342) | 16.59 (421) | 6.75 (172) |
| 10 | 250 | 11.00 (279) | 13.68 (348) | 15.31 (389) | 17.85 (453) | 8.00 (203) |
| 12 | 300 | 12.00 (305) | 15.07 (383) | 16.12 (409) | 19.62 (498) | 9.50 (241) |

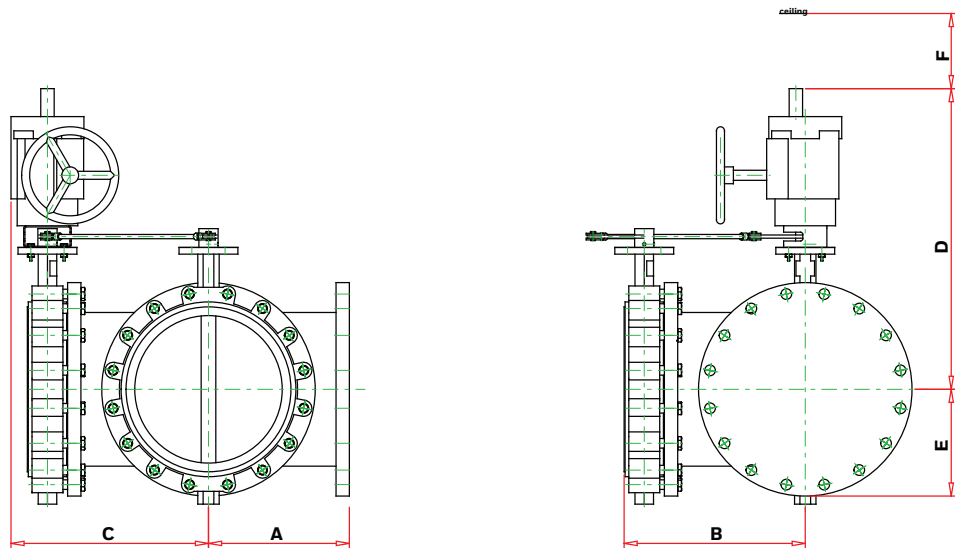
Fig. 17. 3-way valves with MBP...6,7,8 actuators

VR2, VR3, VR4, VR5 RESILIENT SEAT BUTTERFLY VALVES WITH LUGGED CONNECTIONS



| Size | | Dimensions, in. (mm) | | | | |
|------|-----|----------------------|-------------|-------------|-------------|------------|
| in. | DN | A | B | C | D | E |
| 4 | 100 | 6.50 (165) | 8.55 (217) | 11.13 (283) | 16.47 (418) | 4.50 (114) |
| 5 | 125 | 7.50 (191) | 9.70 (246) | 12.05 (306) | 16.99 (432) | 5.00 (127) |
| 6 | 150 | 8.00 (203) | 10.20 (259) | 12.55 (319) | 17.50 (445) | 5.50 (140) |
| 8 | 200 | 9.00 (229) | 11.36 (289) | 13.47 (342) | 18.84 (479) | 6.75 (172) |
| 10 | 250 | 11.00 (279) | 13.68 (348) | 15.31 (389) | 20.10 (511) | 8.00 (203) |
| 12 | 300 | 12.00 (305) | 15.07 (383) | 16.12 (409) | 21.87 (556) | 9.50 (241) |

Fig. 18. 3-way valves with MBE...6,7,8 actuators



| Size | | Dimensions, in. (mm) | | | | | |
|------|-----|----------------------|-------------|-------------|-------------|-------------|------------|
| in. | DN | A | B | C | D | E | F |
| 14 | 350 | 14.00 (356) | 17.22 (437) | 20.01 (508) | 29.51 (750) | 10.50 (267) | 8.80 (224) |
| 16 | 400 | 15.00 (381) | 19.22 (488) | 21.38 (543) | 34.35 (873) | 11.75 (299) | 8.80 (224) |
| 18 | 450 | 16.50 (419) | 21.21 (539) | 23.13 (588) | 35.22 (895) | 12.50 (318) | 8.80 (224) |

Fig. 19. 3-way valves with MBP...C,D,E actuators

ACTUATOR SPECIFICATIONS

Table 3. Actuators Used on 2-way Assemblies

| Assembly | Actuator | Assembly | Actuator | Assembly | Actuator |
|--------------|------------|--------------|------------|--------------|------------|
| VR2F6LPN2/M | MBP6L2N2/U | VR2G7LTF2/M | MBS7L3F2/U | VR2K7LPPF4/M | MBP7L5F4/U |
| VR2F6LPN4/M | MBP6L4N4/U | VR2G7LTF4/M | MBS7L3F4/U | VR2K7UEBH/M | MBE7U6BH/U |
| VR2F7LPPF2/M | MBP7L2F2/U | VR2G8USN2/M | MBS8U3N2/U | VR2L6UESH/M | MBE6U6SH/U |
| VR2F7LPPF4/M | MBP7L4F4/U | VR2G8USN4/M | MBS8U3N4/U | VR2L6UPSH/M | MBP6U6SH/U |
| VR2F7LSB2/M | MBS7L3B2/U | VR2G8USS2/M | MBS8U3S2/U | VR2L7UEBH/M | MBE7U6BH/U |
| VR2F7LSB4/M | MBS7L3B4/U | VR2G8USS4/M | MBS8U3S4/U | VR2L7UPBH/M | MBP7U6BH/U |
| VR2F7LSF2/M | MBS7L3F2/U | VR2G8UTN2/M | MBS8U3N2/U | VR2M6UESH/M | MBE6U7SH/U |
| VR2F7LSF4/M | MBS7L3F4/U | VR2G8UTN4/M | MBS8U3N4/U | VR2M6UPSH/M | MBP6U7SH/U |
| VR2F7LTB2/M | MBS7L3B2/U | VR2G8UTS2/M | MBS8U3S2/U | VR2M7UEBH/M | MBE7U7BH/U |
| VR2F7LTB4/M | MBS7L3B4/U | VR2G8UTS4/M | MBS8U3S4/U | VR2M7UPBH/M | MBP7U7BH/U |
| VR2F7LTF2/M | MBS7L3F2/U | VR2H6LEN2/M | MBE6L4N2/U | VR2N6UESH/M | MBE6U8SH/U |
| VR2F7LTF4/M | MBS7L3F4/U | VR2H6LEN4/M | MBE6L4N4/U | VR2N6UPSH/M | MBP6U8SH/U |
| VR2F8USN2/M | MBS8U3N2/U | VR2H6LPN2/M | MBP6L4N2/U | VR2N7UEBH/M | MBE7U8BH/U |
| VR2F8USN4/M | MBS8U3N4/U | VR2H6LPN4/M | MBP6L4N4/U | VR2N7UPBH/M | MBP7U8BH/U |
| VR2F8USS2/M | MBS8U3S2/U | VR2H7LEF2/M | MBE7L4F2/U | VR2P6UESH/M | MBE6U6SH/U |
| VR2F8USS4/M | MBS8U3S4/U | VR2H7LEF4/M | MBE7L4F4/U | VR2P6UPSH/M | MBP6U6SH/U |
| VR2F8UTN2/M | MBS8U3N2/U | VR2H7LPPF2/M | MBP7L4F2/U | VR2P7UEBH/M | MBE7U6BH/U |
| VR2F8UTN4/M | MBS8U3N4/U | VR2H7LPPF4/M | MBP7L4F4/U | VR2P7UPBH/M | MBP7U6BH/U |
| VR2F8UTS2/M | MBS8U3S2/U | VR2J6LEN2/M | MBE6L5N2/U | VR2R6LPSH/M | MBP6LBSH/U |
| VR2F8UTS4/M | MBS8U3S4/U | VR2J6LEN4/M | MBE6L5N4/U | VR2R7LPBH/M | MBP7LBBH/U |
| VR2G6LPN2/M | MBP6L2N2/U | VR2J6LPN2/M | MBP6L5N2/U | VR2S6HPSH/M | MBP6HCSH/U |
| VR2G6LPN4/M | MBP6L4N4/U | VR2J6LPN4/M | MBP6L5N4/U | VR2S7HPBH/M | MBP7HCBH/U |
| VR2G7LPPF2/M | MBP7L2F2/U | VR2J7LEF2/M | MBE7L5F2/U | VR2T6HPSH/M | MBP6HESH/U |
| VR2G7LPPF4/M | MBP7L4F4/U | VR2J7LEF4/M | MBE7L5F4/U | VR2T7HPBH/M | MBP7HEBH/U |
| VR2G7LSB2/M | MBS7L3B2/U | VR2J7LPPF2/M | MBP7L5F2/U | VR2U6HPSH/M | MBP6HESH/U |
| VR2G7LSB4/M | MBS7L3B4/U | VR2J7LPPF4/M | MBP7L5F4/U | VR2U7HPBH/M | MBP7HEBH/U |
| VR2G7LSF2/M | MBS7L3F2/U | VR2K6LPN2/M | MBP6L5N2/U | VR2V6HPSH/M | MBP6HHSH/U |
| VR2G7LSF4/M | MBS7L3F4/U | VR2K6LPN4/M | MBP6L5N4/U | VR2V7HPBH/M | MBP7HHBH/U |
| VR2G7LTB2/M | MBS7L3B2/U | VR2K6UESH/M | MBE6U6SH/U | | |
| VR2G7LTB4/M | MBS7L3B4/U | VR2K7LPPF2/M | MBP7L5F2/U | | |

Table 4. Actuators used on 3-way Assemblies

| Assembly | Actuator | Assembly | Actuator | Assembly | Actuator |
|-----------------|-----------------|-----------------|-----------------|-----------------|-----------------|
| VR3F6LPN2/M | MBP6LAN2/U | VR4F6LPN2/M | MBP6LAN2/U | VR5F6LPN2/M | MBP6LAN2/U |
| VR3F7LPF2/M | MBP7L3F2/U | VR4F7LPF2/M | MBP7L3F2/U | VR5F7LPF2/M | MBP7L3F2/U |
| VR3F7LPF4/M | MBP7LRN4/U | VR4F7LPF4/M | MBP7LRN4/U | VR5F7LPF4/M | MBP7LRN4/U |
| VR3F7LSF2/M | MBS7L1F2/U | VR4F7LSF2/M | MBS7L1F2/U | VR5F7LSF2/M | MBS7L1F2/U |
| VR3F7LTF2/M | MBS7L1F2/U | VR4F7LTF2/M | MBS7L1F2/U | VR5F7LTF2/M | MBS7L1F2/U |
| VR3F8USN2/M | MBS8U1N2/U | VR4F8USN2/M | MBS8U1N2/U | VR5F8USN2/M | MBS8U1N2/U |
| VR3F8UTN2/M | MBS8U1N2/U | VR4F8UTN2/M | MBS8U1N2/U | VR5F8UTN2/M | MBS8U1N2/U |
| VR3G6LPN2/M | MBP6LRN2/U | VR4G6LPN2/M | MBP6LRN2/U | VR5G6LPN2/M | MBP6LRN2/U |
| VR3G6LPN4/M | MBP6LRN4/U | VR4G6LPN4/M | MBP6LRN4/U | VR5G6LPN4/M | MBP6LRN4/U |
| VR3G7LEF2/M | MBE7LRF2/U | VR4G7LEF2/M | MBE7LRF2/U | VR5G7LEF2/M | MBE7LRF2/U |
| VR3G7LPF2/M | MBP7LRF2/U | VR4G7LPF2/M | MBP7LRF2/U | VR5G7LPF2/M | MBP7LRF2/U |
| VR3G7LPF4/M | MBP7LRN4/U | VR4G7LPF4/M | MBP7LRN4/U | VR5G7LPF4/M | MBP7LRN4/U |
| VR3G8LEN2/M | MBE6LRN2/U | VR4G8LEN2/M | MBE6LRN2/U | VR5G8LEN2/M | MBE6LRN2/U |
| VR3H6LEN2/M | MBE6LRN2/U | VR4H6LEN2/M | MBE6LRN2/U | VR5H6LEN2/M | MBE6LRN2/U |
| VR3H6UPNH/M | MBP6U6SH/U | VR4H6UPNH/M | MBP6U6SH/U | VR5H6UPNH/M | MBP6U6SH/U |
| VR3H7LEF2/M | MBE7LRF2/U | VR4H7LEF2/M | MBE7LRF2/U | VR5H7LEF2/M | MBE7LRF2/U |
| VR3H7LPF2/M | MBP7LRF2/U | VR4H7LPF2/M | MBP7LRF2/U | VR5H7LPF2/M | MBP7LRF2/U |
| VR3H7LPF4/M | MBP7LRN4/U | VR4H7LPF4/M | MBP7LRN4/U | VR5H7LPF4/M | MBP7LRN4/U |
| VR3J6UESH/M | MBE6U6SH/U | VR4J6UESH/M | MBE6U6SH/U | VR5J6UESH/M | MBE6U6SH/U |
| VR3J6UPSH/M | MBP6U6SH/U | VR4J6UPSH/M | MBP6U6SH/U | VR5J6UPSH/M | MBP6U6SH/U |
| VR3J7UEBH/M | MBE7U6BH/U | VR4J7UEBH/M | MBE7U6BH/U | VR5J7UEBH/M | MBE7U6BH/U |
| VR3J7UPBH/M | MBP7U6BH/U | VR4J7UPBH/M | MBP7U6BH/U | VR5J7UPBH/M | MBP7U6BH/U |
| VR3K6UESH/M | MBE6U6SH/U | VR4K6UESH/M | MBE6U6SH/U | VR5K6UESH/M | MBE6U6SH/U |
| VR3K6UPSH/M | MBP6U6SH/U | VR4K6UPSH/M | MBP6U6SH/U | VR5K6UPSH/M | MBP6U6SH/U |
| VR3K7UEBH/M | MBE7U6BH/U | VR4K7UEBH/M | MBE7U6BH/U | VR5K7UEBH/M | MBE7U6BH/U |
| VR3K7UPBH/M | MBP7U6BH/U | VR4K7UPBH/M | MBP7U6BH/U | VR5K7UPBH/M | MBP7U6BH/U |
| VR3L6UESH/M | MBE6U6SH/U | VR4L6UESH/M | MBE6U6SH/U | VR5L6UESH/M | MBE6U6SH/U |
| VR3L6UPSH/M | MBP6U6SH/U | VR4L6UPSH/M | MBP6U6SH/U | VR5L6UPSH/M | MBP6U6SH/U |
| VR3L7UEBH/M | MBE7U6BH/U | VR4L7UEBH/M | MBE7U6BH/U | VR5L7UEBH/M | MBE7U6BH/U |
| VR3L7UPBH/M | MBP7U6BH/U | VR4L7UPBH/M | MBP7U6BH/U | VR5L7UPBH/M | MBP7U6BH/U |
| VR3M6UESH/M | MBE6U7SH/U | VR4M6UESH/M | MBE6U7SH/U | VR5M6UESH/M | MBE6U7SH/U |
| VR3M6UPSH/M | MBP6U7SH/U | VR4M6UPSH/M | MBP6U7SH/U | VR5M6UPSH/M | MBP6U7SH/U |
| VR3M7UEBH/M | MBE7U7BH/U | VR4M7UEBH/M | MBE7U7BH/U | VR5M7UEBH/M | MBE7U7BH/U |
| VR3M7UPBH/M | MBP7U7BH/U | VR4M7UPBH/M | MBP7U7BH/U | VR5M7UPBH/M | MBP7U7BH/U |
| VR3N6UESH/M | MBE6U8SH/U | VR4N6UESH/M | MBE6U8SH/U | VR5N6UESH/M | MBE6U8SH/U |
| VR3N6UPSH/M | MBP6U8SH/U | VR4N6UPSH/M | MBP6U8SH/U | VR5N6UPSH/M | MBP6U8SH/U |
| VR3N7UEBH/M | MBE7U8BH/U | VR4N7UEBH/M | MBE7U8BH/U | VR5N7UEBH/M | MBE7U8BH/U |
| VR3N7UPBH/M | MBP7U8BH/U | VR4N7UPBH/M | MBP7U8BH/U | VR5N7UPBH/M | MBP7U8BH/U |
| VR3P6UESH/M | MBE6U6SH/U | VR4P6UESH/M | MBE6U6SH/U | VR5P6UESH/M | MBE6U6SH/U |
| VR3P6UPSH/M | MBP6U6SH/U | VR4P6UPSH/M | MBP6U6SH/U | VR5P6UPSH/M | MBP6U6SH/U |
| VR3P7UEBH/M | MBE7U6BH/U | VR4P7UEBH/M | MBE7U6BH/U | VR5P7UEBH/M | MBE7U6BH/U |
| VR3P7UPBH/M | MBP7U6BH/U | VR4P7UPBH/M | MBP7U6BH/U | VR5P7UPBH/M | MBP7U6BH/U |
| VR3R6HPSH/M | MBP6HCSH/U | VR4R6HPSH/M | MBP6HCSH/U | VR5R6HPSH/M | MBP6HCSH/U |
| VR3R7HPBH/M | MBP7HCBH/U | VR4R7HPBH/M | MBP7HCBH/U | VR5R7HPBH/M | MBP7HCBH/U |
| VR3S6HPSH/M | MBP6HDSH/U | VR4S6HPSH/M | MBP6HDSH/U | VR5S6HPSH/M | MBP6HDSH/U |
| VR3T6HPSH/M | MBP7HDBH/U | VR4S7HPBH/M | MBP7HDBH/U | VR5S7HPBH/M | MBP7HDBH/U |
| VR3T6HPSH/M | MBP6HESH/U | VR4T6HPSH/M | MBP6HESH/U | VR5T6HPSH/M | MBP6HESH/U |
| VR3T7HPBH/M | MBP7HEBH/U | VR4T7HPBH/M | MBP7HEBH/U | VR5T7HPBH/M | MBP7HEBH/U |

Table 5. Actuator Specifications.

| Actuator Model | Torque | Control Inputs | Fail Safe (Timing) | Supply Voltage | Transformer Sizing | Ambient Temp. | Timing | Enclosure | Aux. Switch | Wiring Diagram | | | | | | |
|------------------|----------------------|-------------------------|----------------------------------|--|-------------------------------|-----------------------------------|---|------------------|-------------|---|---------|-----------------------------------|------|------------------|-----------|---------|
| MBP6L2N2/U | 180 in-lb [20 Nm] | 2-position; Floating | fail-in-place | 24 VAC, ±20%, 50/60 Hz; 24 VDC, ±10% | 5.5 VA (class 2) | -22°F to 122°F [-30°C to 50°C] | 90s | IP 54 NEMA 2 | | Fig. 35 | | | | | | |
| Modulating | | | | | | | 150s | | | | Fig. 36 | | | | | |
| | | 2-position | | | spring fail-safe (<20s) | | 24...240 VAC -20% / +10%, 50/60 Hz; 24...125 VDC ±10% | | | 7 VA @ 24 VAC (class 2); 8.5 VA @ 120 VAC; 18 VA @ 240 VAC | | -22°F to 122°F [-30°C to 50°C] | <75s | IP 54 NEMA 2 | 2 x SPDT* | Fig. 34 |
| IP 54 NEMA 2 | | | | | | | | | | | | | | | | |
| IP 66/67 NEMA 4X | | | | | | | | | | | | | | | | |
| IP 54 NEMA 2 | | | | | | | | | | | | | | | | |
| IP 66/67 NEMA 4X | | | | | | | | | | | | | | | | |
| MBS7L1F2/U | 180 in-lb [20 Nm] | Modulating | | 24 VAC, ±20%, 50/60 Hz; 24 VDC, -10% / +20% | 10 VA (class 2) | -22°F to 122°F [-30°C to 50°C] | 150s | IP 54 NEMA 2 | | Fig. 36 | | | | | | |
| IP 54 NEMA 2 | | | | | | | | | | | | | | | | |
| IP 66/67 NEMA 4X | | | | | | | | | | | | | | | | |
| IP 54 NEMA 2 | | | | | | | | | | | | | | | | |
| IP 66/67 NEMA 4X | | | | | | | | | | | | | | | | |
| 2 x SPDT* | | | | | | | | | | | | | | | | |
| MBS7L3F2/U | | | | 24 VAC, ±20%, 50/60 Hz; 24 VDC, ±10% | | | | | | | | | | | | |
| MBS7L3F4/U | | | | | | | | | | | | | | | | |
| MBS7L3B2/U | | | | | | | | | | | | | | | | |
| MBS7L3B4/U | | | | | | | | | | | | | | | | |
| 2 x SPDT* | | | | | | | | | | | | | | | | |
| MBP6L4N2/U | 360 in-lb [40 Nm] | 2-position; Floating | fail-in-place | 24 VAC, ±20%, 50/60 Hz; 24 VDC, ±10% | 6 VA (class 2) | -22°F to 122°F [-30°C to 50°C] | 150s | IP 54 NEMA 2 | | Fig. 35 | | | | | | |
| MBP6LRN2/U | | | | | | | | IP 66/67 NEMA 4X | | | | | | | | |
| MBP6L4N4/U | | | | | | | | | | | | | | | | |
| MBP6LRN4/U | | Modulating | | | | | | 7 VA (class 2) | | | 150s | IP 54 NEMA 2 | | Fig. 36 | | |
| MBP7L4F2/U | | | | | | | | | | | | IP 66/67 NEMA 4X | | | | |
| MBP7LRF2/U | | | | | | | | | | | | | | | | |
| MBP7L4F4/U | | | | | | | | | | | | | | | | |
| MBP7LRN4/U | | | | | | | | | | | | | | | | |
| MBE6L4N2/U | 360 in-lb [40 Nm] | 2-position; Floating | electronic fail-safe (35s) | 24 VAC ± 20%, 50/60 Hz; 24 VDC ± 10% | 21 VA (class 2) | -22°F to 122°F [-30°C to 50°C] | 150s | IP 54 NEMA 2 | | Fig. 37 | | | | | | |
| MBE6LRN2/U | | | | | | | | IP 66/67 NEMA 4X | | | | | | | | |
| MBE6L4N4/U | | | | | | | | | | | | | | | | |
| MBE7L4F2/U | | Modulating | | | | | | | | | | | | IP 54 NEMA 2 | | Fig. 38 |
| MBE7LRF2/U | | | | | | | | | | | | | | IP 66/67 NEMA 4X | | |
| MBE7L4F4/U | | | | | | | | | | | | | | | | |

*3A resistive (0.5A inductive) @ 250 VAC, one set at 10°, one adjustable 10° to 90°
 **3A resistive (0.5A inductive) @ 250 VAC, one set at 10°, one set at 85°

Table 5. Actuator Specifications. (Continued)

| Actuator Model | Torque | Control Inputs | Fail Safe (Timing) | Supply Voltage | Transformer Sizing | Ambient Temp. | Timing | Enclosure | Aux. Switch | Wiring Diagram | |
|------------------|--------------------------|-------------------------|----------------------------------|--|--|-----------------------------------|------------------|---------------------------------|-------------|----------------|---------|
| MBP6L5N2/U | 800 in-lb [90 Nm] | 2-position; Floating | fail-in-place | 24 VAC, ±20%, 50/60 Hz; 24 VDC, ±10% | 12 VA (class 2) | -22°F to 122°F [-30°C to 50°C] | 35s | NEMA 1 | | Fig. 35 | |
| IP 66/67 NEMA 4X | | | | | | | | | | | |
| MBP7L5F2/U | | Modulating | | | | | 150s | NEMA 1 | Fig. 36 | | |
| IP 66/76 NEMA 4X | | | | | | | | | | | |
| MBE6L5N2/U | 800 in-lb [90 Nm] | 2-position; Floating | electronic fail-safe (35s) | 24 VAC, ±20%, 50/60 Hz | 21 VA (class 2) | -22°F to 122°F [-30°C to 50°C] | 150s | NEMA 1 | | Fig. 37 | |
| MBE6L5N4/U | | | | | | | | IP 66/67 NEMA 4X | | | |
| MBE7L5F2/U | | Modulating | | 150s | | | NEMA 1 | Fig. 38 | | | |
| MBE7L5F4/U | | | | | | | IP 66/67 NEMA 4X | | | | |
| MBP6U6SH/U | 1400 in-lb [160 Nm] | 2-position; Floating | fail-in-place | 24...240 VAC, -20% / +10%, 50/60 Hz; 24...125 VDC, -20% / +10% | 20 VA @ 24 VAC/DC (class 2); 23 VA @ 120 VAC/DC; 52 VA @ 230 VAC | -22°F to 122°F [-30°C to 50°C] | 35s | IP 66/67 NEMA 4X w/Heater | 2 x SPDT* | Fig. 39 | |
| MBP6U7SH/U | | | | | | | | | | | |
| MBP6U8SH/U | | Modulating | | | | | | | | 35s | Fig. 40 |
| MBP7U6BH/U | | | | | | | | | | | |
| MBP7U7BH/U | | | | | | | | | | | |
| MBP7U8BH/U | | | | | | | | | | | |
| MBE6U6SH/U | 1400 in-lb [160 Nm] | 2-position; Floating | electronic fail-safe (30s) | 24...240 VAC, -20% / +10%, 50/60 Hz; 24...125 VDC, -20% / +10% | 55 VA @ 24 VAC/DC (class 2); 43 VA @ 120 VAC/DC; 68 VA @ 230 VAC | -22°F to 122°F [-30°C to 50°C] | 35s | IP 66/67 NEMA 4X w/Heater | 2 x SPDT* | Fig. 39 | |
| MBE6U7SH/U | | | | | | | | | | | |
| MBE6U8SH/U | | Modulating | | | | | | | | 35s | Fig. 40 |
| MBE7U6BH/U | | | | | | | | | | | |
| MBE7U7BH/U | | | | | | | | | | | |
| MBE7U8BH/U | | | | | | | | | | | |
| MBP6LBH/U | 4425 in-lb [500 Nm] | 2-position | fail-in-place | 24 VAC, ±10%, 50/60 Hz; 24 VDC, ±10% | 214 VA | -22°F to 150°F [-30°C to 65°C] | 26s | IP 66/67 NEMA 4X w/Heater | 2 x SPDT** | Fig. 42 | |
| MBP7LBBH/U | | Modulating | | | | | | | | Fig. 43 | |
| MBP6HCSH/U | 5755 in-lb [650 Nm] | 2-position | fail-in-place | 120 VAC, ±10%, 50/60 Hz | 288 VA | -22°F to 150°F [-30°C to 65°C] | 34s | IP 66/67 NEMA 4X w/Heater | 2 x SPDT** | Fig. 44 | |
| MBP7HCBH/U | | Modulating | | | 240 VA | | 38s | | | Fig. 45 | |
| MBP6HDSH/U | 2-position | 504 VA | | | 50s | | Fig. 44 | | | | |
| MBP7HDBH/U | | Modulating | | | 240 VA | | 59s | | | Fig. 45 | |
| MBP6HESH/U | 2-position | 504 VA | | | 51s | | Fig. 44 | | | | |
| MBP7HEBH/U | | Modulating | | | 336 VA | | 79s | | | Fig. 45 | |
| MBP6HHSH/U | 26550 in-lb [3000 Nm] | 2-position | | | 432 VA | | 62s | | | Fig. 44 | |
| MBP7HHBH/U | | Modulating | | | 516 VA | | 71s | | | Fig. 45 | |

*3A resistive (0.5A inductive) @ 250 VAC, one set at 10°, one adjustable 10° to 90°

**3A resistive (0.5A inductive) @ 250 VAC, one set at 10°, one set at 85°

Table 6. Duty Cycle on High Torque Actuators

| Actuator Model | Torque | Control Inputs | Duty Cycle |
|----------------|-----------------------|----------------|------------|
| MBP6LBSH/U | 4425 in-lb [500 Nm] | 2-position | 75% |
| MBP7LBBH/U | | Modulating | |
| MBP6HCSH/U | 5755 in-lb [650 Nm] | 2-position | 30% |
| MBP7HCBH/U | | Modulating | 75% |
| MBP6HDSH/U | 8850 in-lb [1000 Nm] | 2-position | 30% |
| MBP7HDBH/U | | Modulating | 75% |
| MBP6HESH/U | 13275 in-lb [1500 Nm] | 2-position | 30% |
| MBP7HEBH/U | | Modulating | 75% |
| MBP6HSH/U | 26550 in-lb [3000 Nm] | 2-position | 30% |
| MBP7HHBH/U | | Modulating | 50% |

3-way Valve Configurations

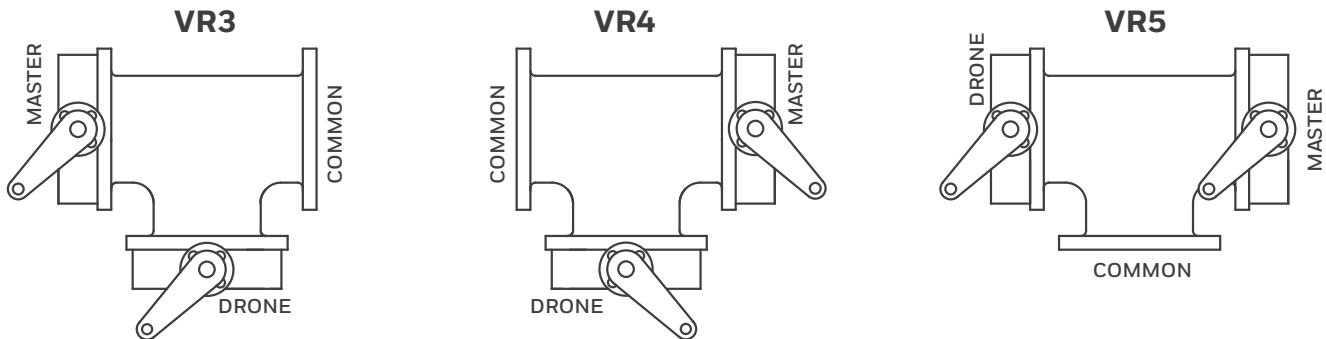


Fig. 20. 3-way valve configurations

Flow Data

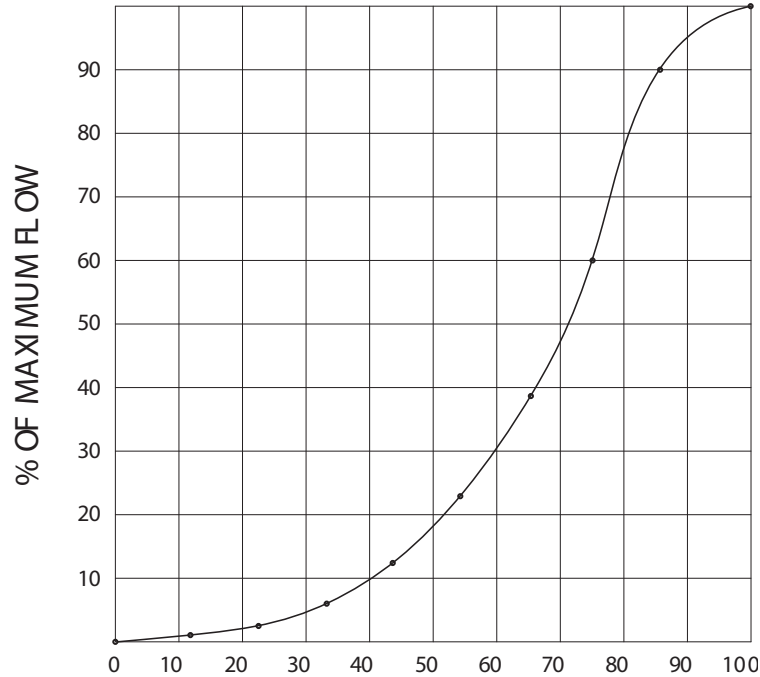


Fig. 21. Typical flow characteristics for VR valves

Table 7. Valve Cv

| Valve Size | | Cv | | | | | | | | |
|------------|-----|------|------|------|------|------|-------|-------|-------|-------|
| in. | DN | 10° | 20° | 30° | 40° | 50° | 60° | 70° | 80° | 90° |
| 2 | 50 | 0.06 | 3 | 7 | 15 | 27 | 44 | 70 | 105 | 115 |
| 2.5 | 65 | 0.1 | 6 | 12 | 25 | 45 | 75 | 119 | 178 | 196 |
| 3 | 80 | 0.2 | 9 | 18 | 39 | 70 | 116 | 183 | 275 | 302 |
| 4 | 100 | 0.3 | 17 | 36 | 78 | 139 | 230 | 364 | 546 | 600 |
| 5 | 125 | 0.5 | 29 | 61 | 133 | 237 | 392 | 620 | 930 | 1022 |
| 6 | 150 | 0.8 | 45 | 95 | 205 | 366 | 605 | 958 | 1437 | 1579 |
| 8 | 200 | 2 | 89 | 188 | 408 | 727 | 1202 | 1903 | 2854 | 3136 |
| 10 | 250 | 3 | 151 | 320 | 694 | 1237 | 2047 | 3240 | 4859 | 5340 |
| 12 | 300 | 4 | 234 | 495 | 1072 | 1911 | 3162 | 5005 | 7507 | 8250 |
| 14 | 350 | 6 | 338 | 715 | 1549 | 2761 | 4568 | 7230 | 10844 | 11917 |
| 16 | 400 | 8 | 464 | 983 | 2130 | 3797 | 6282 | 9942 | 14913 | 16388 |
| 18 | 450 | 11 | 615 | 1302 | 2822 | 5028 | 8320 | 13168 | 19752 | 21705 |
| 20 | 500 | 14 | 791 | 1674 | 3628 | 6465 | 10698 | 16931 | 25396 | 27908 |
| 24 | 600 | 22 | 1222 | 2587 | 5605 | 9989 | 16528 | 26157 | 39236 | 43116 |

Table 8. Flow Rate

| Valve Size | | Flow Rate in GPM | | | | | |
|------------|-----|------------------|-------|-------|-------|--------|--------|
| in. | DN | 2 FPS | 4 FPS | 6 FPS | 8 FPS | 10 FPS | 12 FPS |
| 2 | 50 | 19 | 39 | 59 | 78 | 98 | 117 |
| 2.5 | 65 | 30 | 61 | 92 | 122 | 153 | 184 |
| 3 | 80 | 44 | 88 | 132 | 176 | 220 | 264 |
| 4 | 100 | 78 | 157 | 235 | 313 | 392 | 470 |
| 5 | 125 | 122 | 245 | 367 | 490 | 612 | 734 |
| 6 | 150 | 176 | 352 | 529 | 705 | 881 | 1058 |
| 8 | 200 | 313 | 627 | 940 | 1253 | 1567 | 1880 |
| 10 | 250 | 490 | 979 | 1469 | 1958 | 2448 | 2738 |
| 12 | 300 | 705 | 1410 | 2115 | 2820 | 3525 | 4230 |
| 14 | 350 | 959 | 1919 | 2879 | 3838 | 4798 | 5758 |
| 16 | 400 | 1253 | 2507 | 3760 | 5013 | 6267 | 7520 |
| 18 | 450 | 1586 | 3173 | 4759 | 6345 | 7931 | 9518 |
| 20 | 500 | 1958 | 3917 | 5875 | 7834 | 9792 | 11750 |
| 24 | 600 | 2820 | 5640 | 8460 | 11280 | 14100 | 16921 |

INSTALLATION

Storage of Butterfly Valve Assemblies

- Assemblies must be stored indoors, protected from the elements.
- Materials received on job sites that have long installation lead times should receive extra protection from construction damage.
- Resilient seats must be protected from abrasion, cutting and nicking, as this will damage the liner and may cause flange area leaks.
- Electric actuators cannot be stored in wet, damp or caustic areas.
- Do not store construction material on top of valve assemblies.

Installation Practices

- VR series butterfly valves are designed to be installed between ANSI 125/150 flat-faced, raised face, slip-on or weld neck flanges.
- Valve should be installed a minimum of 10 pipe diameters from upstream or downstream elbows, strainers, pumps, etc.
- For chilled water, condenser water or hot water applications, the valve should be installed with the stem in a vertical orientation, with the actuator mounted above the valve.
- For applications in which there is a possibility of sediment in the flow, the valve should be installed with the stem in a horizontal position and the bottom of the disc should close FROM the downstream side, rather than from the upstream side.

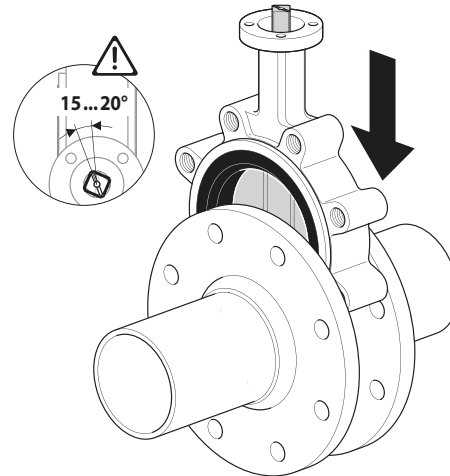


Fig. 22.

- Make sure the flange faces are clean and free of rust, scale and debris to prevent damage to the liner face.
- Do NOT use flange gaskets on VR series butterfly valves. (Fig. 23)
- Follow the recommended flange bolting sequence. (Fig. 32)

Installation using Welded Flanges

- Mount flanges on both sides of valve body and install bolts to properly align valve body and both flanges.
- Install the valve with the disc in the “Almost Closed” position (Fig. 22)
- Do not use any flange gaskets (Fig. 23)
- Make sure the valve liner and flange internal diameters are in alignment. (Fig. 24)
- Take valve body / flange pair assembly and align with piping ends.

- TACK weld the flanges to the piping in several places. (Fig. 25) **Do NOT seam weld at this time!**
- Remove the lug bolts and carefully remove the valve body from the flanges.
- Seam weld the entire flange / piping connection for both flanges. (Fig. 26)
- Let the piping components cool completely before re-inserting the valve body. (Fig. 27)
WARNING! Seam welding with the valve body installed between the flanges can damage the liner due to heat migration through the flange to the valve body.

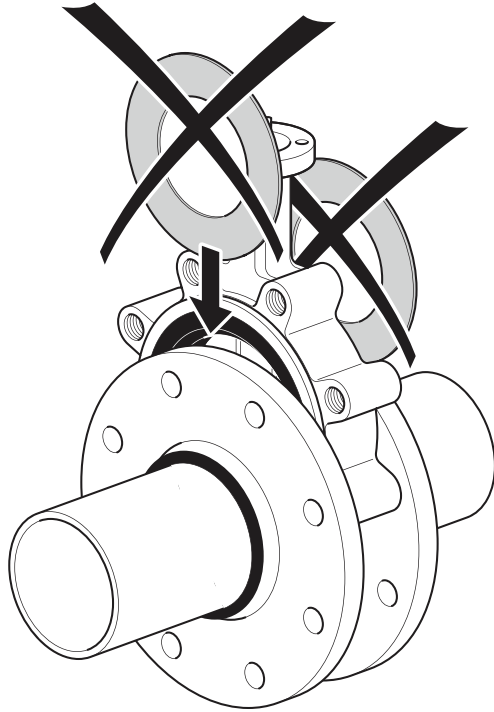


Fig. 23.

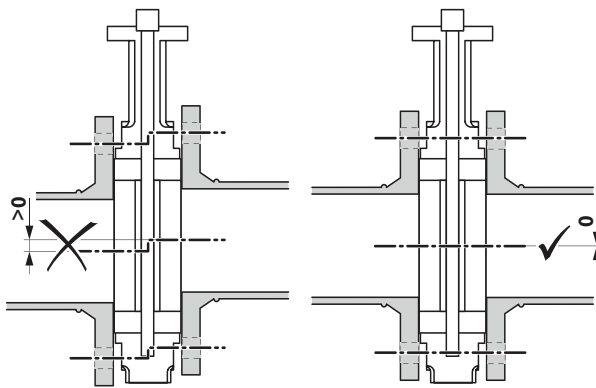


Fig. 24.

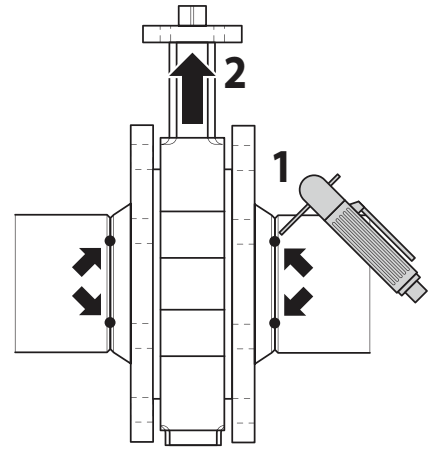


Fig. 25.

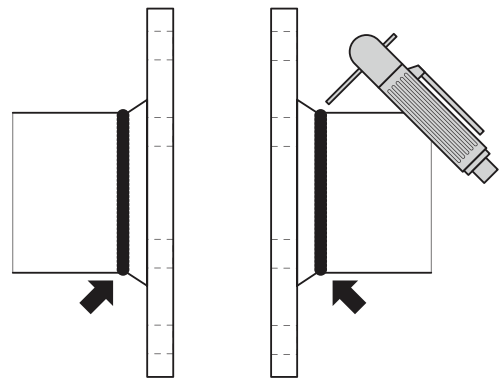


Fig. 26.

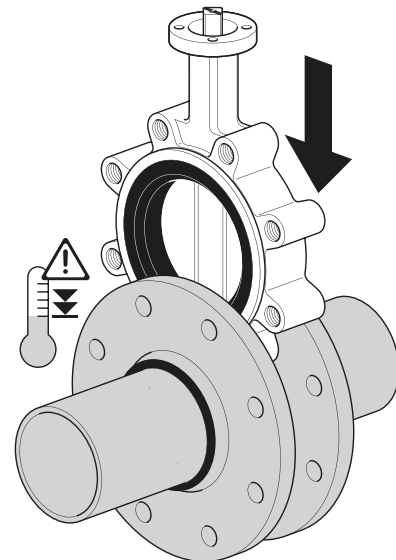


Fig. 27.

Table 9. Flange and Bolting Specifications

| Nominal Pipe Size [inches] | Flanges | | Drilling | | Bolting | | | |
|----------------------------|----------------------------|-----------------------------|------------------------------------|-----------------------------------|-------------|-----------------|----------------------|-------------------------|
| | A Flange Diameter [inches] | B Flange Thickness [inches] | C Diameter of Bolt Circle [inches] | D Diameter of Bolt Holes [inches] | Thread Size | Number of Bolts | Bolt Length [inches] | Maximum Torque [ft-lbs] |
| 2 | 6 | 0.75 | 4.75 | 0.75 | 5/8 - 11 | 4 | 1.25 | 70 |
| 2.5 | 7 | 0.875 | 5.5 | 0.75 | 5/8 - 11 | 4 | 1.5 | 70 |
| 3 | 7.5 | 0.9375 | 6 | 0.75 | 5/8 - 11 | 4 | 1.5 | 70 |
| 4 | 9 | 0.9375 | 7.5 | 0.75 | 5/8 - 11 | 8 | 1.75 | 70 |
| 5 | 10 | 0.9375 | 8.5 | 0.875 | 3/4 - 10 | 8 | 1.75 | 120 |
| 6 | 11 | 1 | 9.5 | 0.875 | 3/4 - 10 | 8 | 2 | 120 |
| 8 | 13.5 | 1.125 | 11.75 | 0.875 | 3/4 - 10 | 8 | 2.25 | 120 |
| 10 | 16 | 1.1875 | 14.75 | 1 | 7/8 - 9 | 12 | 2.25 | 200 |
| 12 | 19 | 1.25 | 17 | 1 | 7/8 - 9 | 12 | 2.5 | 200 |
| 14 | 21 | 1.375 | 18.75 | 1.125 | 1 - 8 | 12 | 2.75 | 240 |
| 16 | 23.5 | 1.4375 | 21.25 | 1.125 | 1 - 8 | 16 | 2.75 | 240 |
| 18 | 25 | 1.625 | 22.75 | 1.25 | 1 1/8 - 7 | 16 | 3.5 | 380 |
| 20 | 27.5 | 1.6875 | 25 | 1.25 | 1 1/8 - 7 | 20 | 4.25 | 380 |
| 24 | 32 | 1.875 | 29.5 | 1.375 | 1 1/8 - 7 | 20 | 4.75 | 520 |

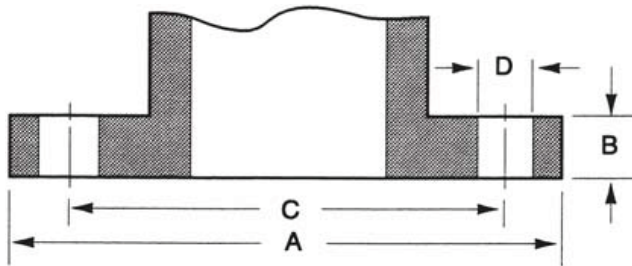


Fig. 28.

Pre-Installation Procedure

1. Remove any protective flange covers from the valve.
2. Inspect the valve to be certain the waterway is free from dirt and foreign matter. Be certain the adjoining pipeline is free from any foreign material such as rust and pipe scale or welding slag that could damage the seat and disc sealing surfaces.
3. Any actuator should be mounted on the valve prior to installation to facilitate proper alignment of the disc in the valve seat.
4. Check the valve identification tag for materials, and operating pressure to be sure they are correct for the application.
WARNING! Personal injury or property damage may result if the valve is installed where service conditions could exceed the valve ratings.
5. Check the flange bolts or studs for proper size, threading, and length.
6. These valves are designed to be installed between ASME/ANSI Class 125/150 flanges.

7. Carefully follow installation using welded flanges on page 82 of this document.
8. Follow ASME flange alignment standards: SECTION 335.1.1 ALIGNMENT
 - a. PIPING DISTORTIONS: Any distortion of piping to bring into alignment for joint assembly which introduces a detrimental strain in equipment or piping components is prohibited.
 - b. FLANGE JOINTS: Before bolting up, flange faces shall be aligned to the design plane within 1/16"/ft measured across any diameter; flange bolt holes shall be aligned within 1/8" maximum offset.
9. When observed during assembly, the flange faces shall be parallel within 1 degree, and the force required to align pipe axes shall not exceed 10 lb/ft per inch of NF bolts and nuts shall be fully engaged.

Valve Installation Procedure

Position the connecting pipe flanges in the line to insure proper alignment prior to valve installation. Spread the pipe flanges apart enough to allow the valve body to be located between the flanges without actually contacting the flange surfaces. Exercise particular care in handling the valve so as to prevent possible damage to the disc or seat faces.

NOTE: Actuator must be mounted at or above pipe center line for all actuator types. (Fig. 30)

1. VR Series Butterfly valves are designed to be installed between ANSI 125/150 flat-faced, raised face, slip-on or weld neck flanges.
2. Do NOT use flange gaskets on VR Series Butterfly valves.
3. For Lug style valves:

- a. Place the valve between the flanges.
 - b. Install all bolts between the valve and the mating flanges. Hand tighten bolts as necessary. (Fig. 31)
4. Before completing the tightening of any bolts, the valve should be centered between the flanges and then carefully opened and closed to insure free, unobstructed disc movement.
 5. Using the sequence (Fig. 32), tighten the flange bolts evenly to assure uniform compression. In assembling flange joints, the resilient seating surface shall be uniformly compressed (Fig. 29).
 6. If an actuator is to be operated, electricity should be connected to the unit in accordance with the local electrical codes.
 7. Cycle the valve to the fully open position, then back to the fully closed position, checking the actuator travel stop settings for proper disc alignment. The valve should be operated to assure that no binding is taking place. If no power is available, use the manual handwheel.
 8. The valve is now ready for operation.

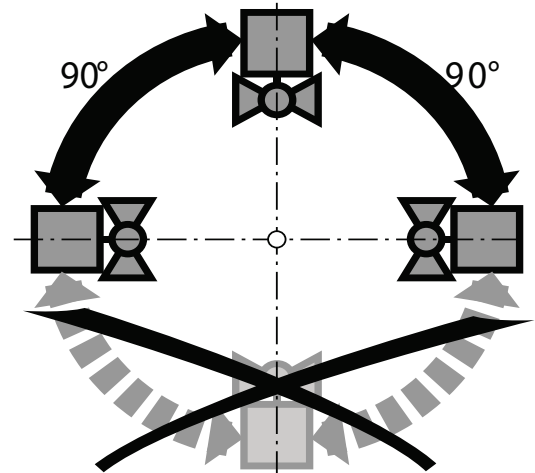


Fig. 30.

Installation Notes

1. Follow previously described pre-installation and installation procedures.
2. To achieve the full close-off pressure of the VR series, a flange is required on the open or downstream side of the valve (Fig. 33).

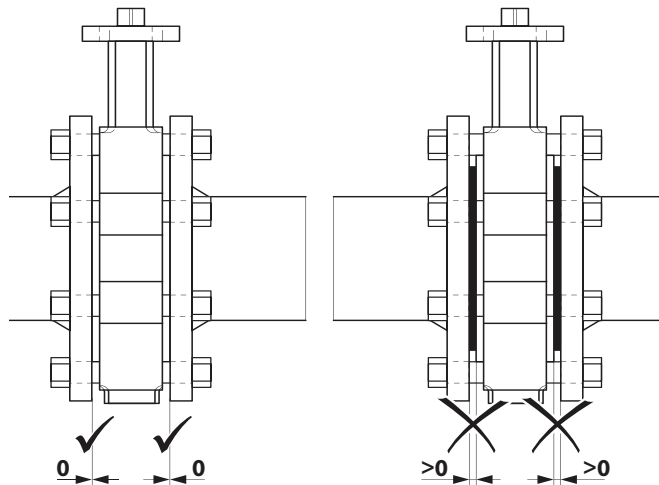


Fig. 29.

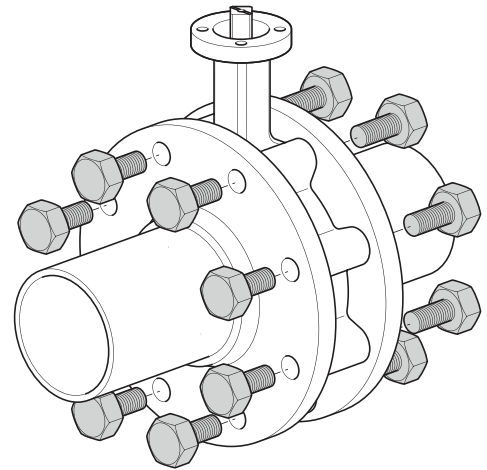


Fig. 31.

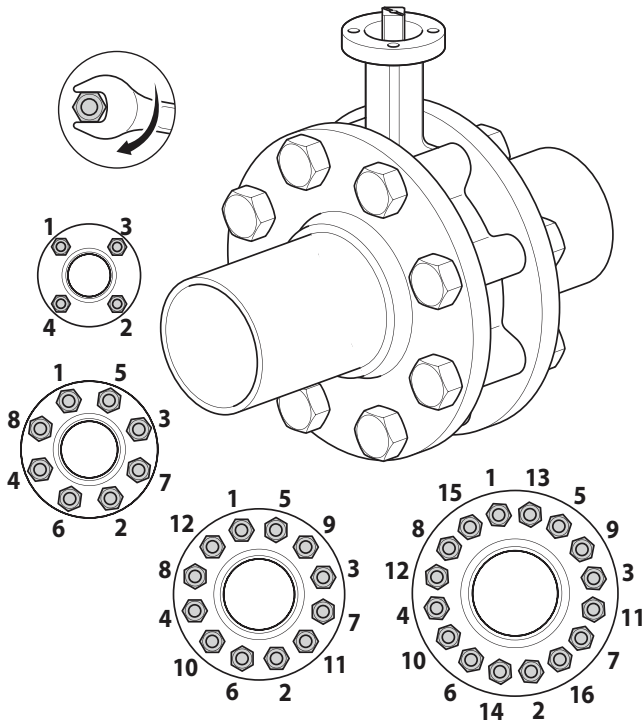


Fig. 32.

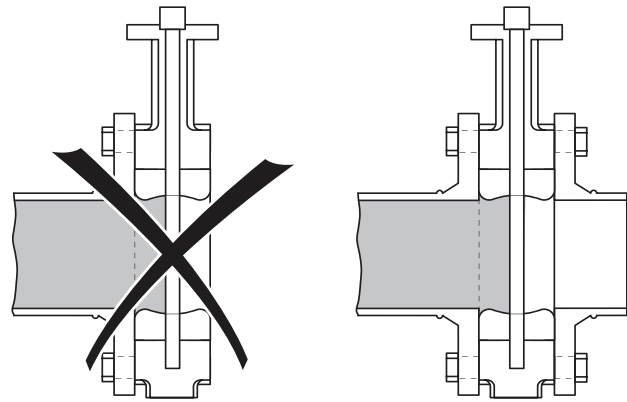
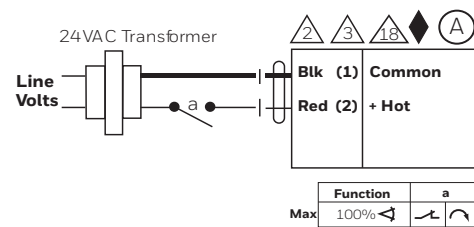
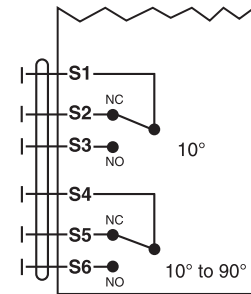


Fig. 33.



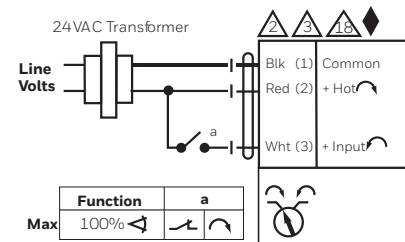
Notes:

- ◆ Meets cULus requirements without the need of an electrical ground connection
- Ⓐ Actuators with appliance cables are numbered.
- △ 2 Actuators may be connected in parallel. Power consumption and input impedance must be observed.
- △ 3 Actuators may also be powered by 24 VDC.
- △ 18 Actuators with plenum rated cable do not have numbers on wires; use color codes instead.

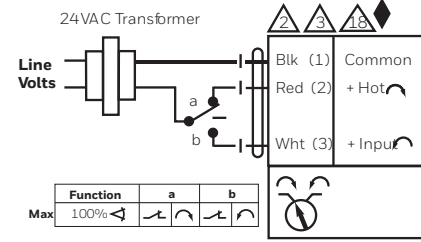


Auxiliary Switches

Fig. 34. Wiring for MBS8 actuators (Not all models have switches)



On/Off



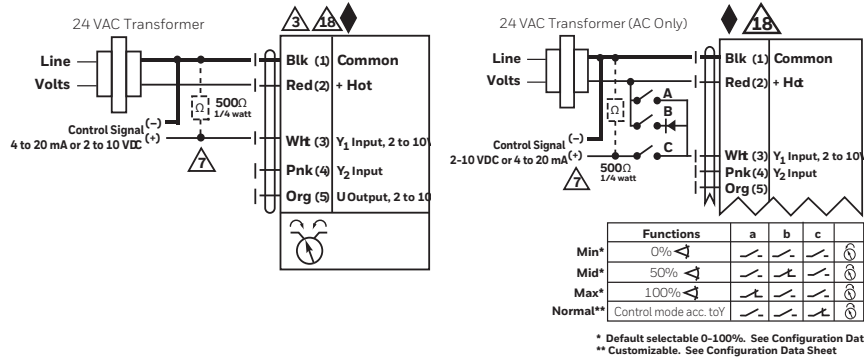
Floating Point

Notes:

- ◆ Meets cULus requirements without the need of an electrical ground connection
- △ 2 Actuators may be connected in parallel. Power consumption and input impedance must be observed.
- △ 3 Actuators may also be powered by 24 VDC.
- △ 18 Actuators with plenum rated cable do not have numbers on wires; use color codes instead.

Fig. 35. Wiring for MBP6...2,4,5,A,R

VR2, VR3, VR4, VR5 RESILIENT SEAT BUTTERFLY VALVES WITH LUGGED CONNECTIONS



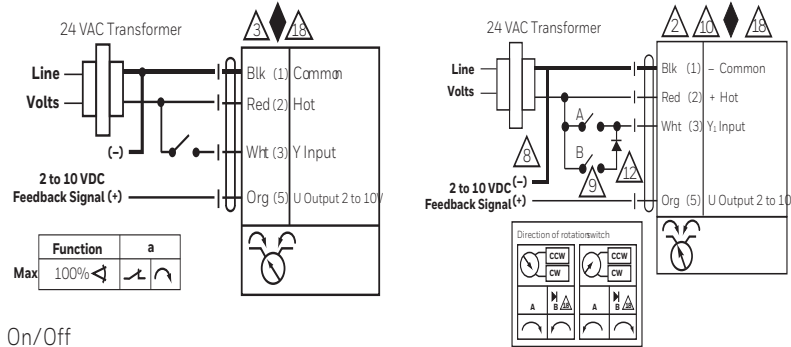
Notes:

- ◆ Meets cULus requirements without the need of an electrical ground connection
- 3 Actuators may also be powered by 24 VDC.
- 7 A 500Ω resistor converts the 4 to 20 mA control signal to 2 to 10 VDC.
- 1& Actuators with plenum rated cable do not have numbers on wires; use color codes instead.

VDC / 4 to 20 mA

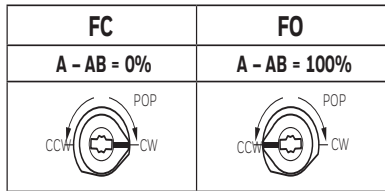
Override Control Min, Mid, Max Postions

Fig. 36. Wiring for MBS7...1,3 and MBP7...2,3,4,5,R actuators (Not all models have Switches)

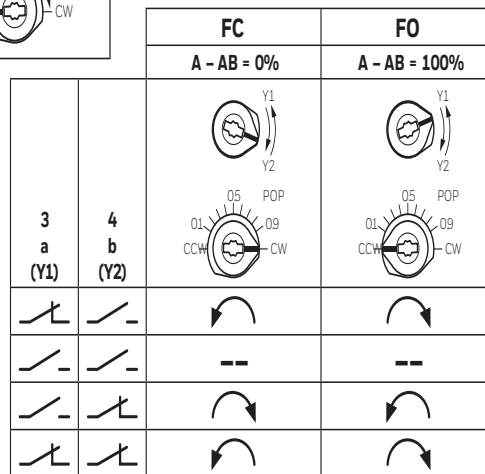


Notes:

- ◆ Meets cULus requirements without the need of an electrical ground connection
- 2 Actuators may be connected in parallel. Power consumption and input impedance must be observed.
- 3 Actuators may also be powered by 24 VDC.
- 8 Control signal may be pulsed from either the Hot (Source) or Common (Sink) 24 VAC line.
- 9 Contact closures A & B also can be triacs. A & B should both be closed for the triac source and open for triac sink.
- 10 For triac sink the Common connection from the actuator must be connected to the Hot connection of the controller. Position feedback cannot be used with a triac sink controller. The actuator internal common reference is not compatible.
- 12 IN4004 or IN4007 diode. (IN4007 supplied)
- 1& Actuators with plenum rated cable do not have numbers on wires; use color codes instead.



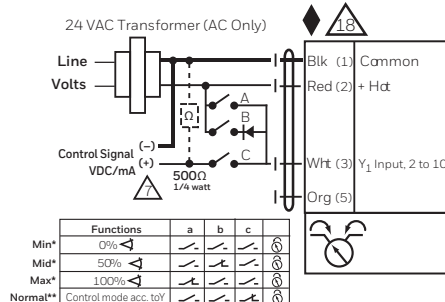
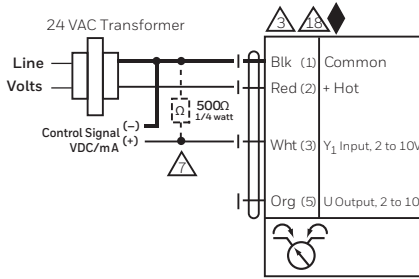
On/Off
24V AC/DC



Floating Point
24V AC/DC

Fig. 37. Wiring for MBE6...4,5,R actuators

VR2, VR3, VR4, VR5 RESILIENT SEAT BUTTERFLY VALVES WITH LUGGED CONNECTIONS

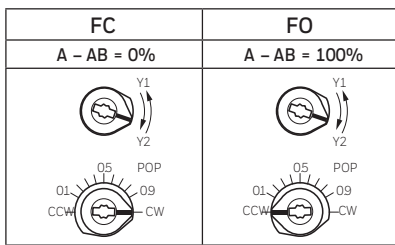


Notes:

- ◆ Meets cULus requirements without the need of an electrical ground connection
- ⚠ Actuators may also be powered by 24 VDC.
- ⚠ A 500Ω resistor converts the 4 to 20 mA control signal to 2 to 10 VDC.
- ⚠ For triac sink the Common connection from the actuator must be connected to the Hot connection of the controller. Position feedback cannot be used with a triac sink controller. The actuator internal common reference is not compatible.
- ⚠ Actuators with plenum rated cable do not have numbers on wires; use color codes instead.

VDC / 4 to 20 mA

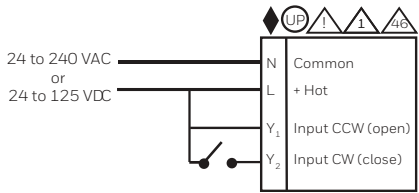
Override Control Min, Mid, Max Postions



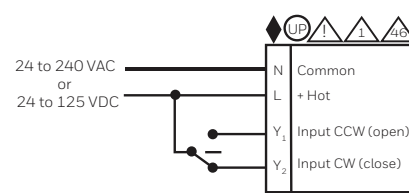
Modulating

24V AC/DC

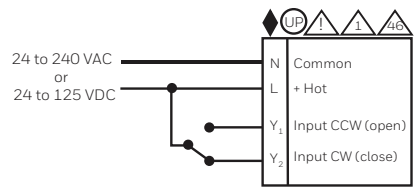
Fig. 38. Wiring for MBE7...4,5,R actuators



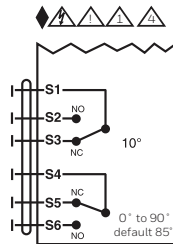
On/Off



Floating Point



On/Off



End Switches

Notes:

- ◆ Meets cULus requirements without the need of an electrical ground connection.
- ⚠ Provide overload protection and disconnect as required.
- ⚠ Two built-in auxiliary switches (2x SPDT), for end position indication, interlock control, fan startup, etc.
- ⚠ Actuators may be controlled in parallel. Current draw and input impedance must be observed
- Ⓢ Universal Power Supply (UP) models can be supplied with 24 VAC up to 240 VAC, or 24 VDC up to 125 VDC.
- ⚠ During installation, testing, servicing and troubleshooting of this product, it may be necessary to work with live electrical components. Have a qualified licensed electrician or other individual who has been properly trained in handling live electrical components perform these tasks. Failure to follow all electrical safety precautions when exposed to live electrical components could result in death or serious injury

Fig. 39. Wiring for MBP, E6...6,7,8 actuators

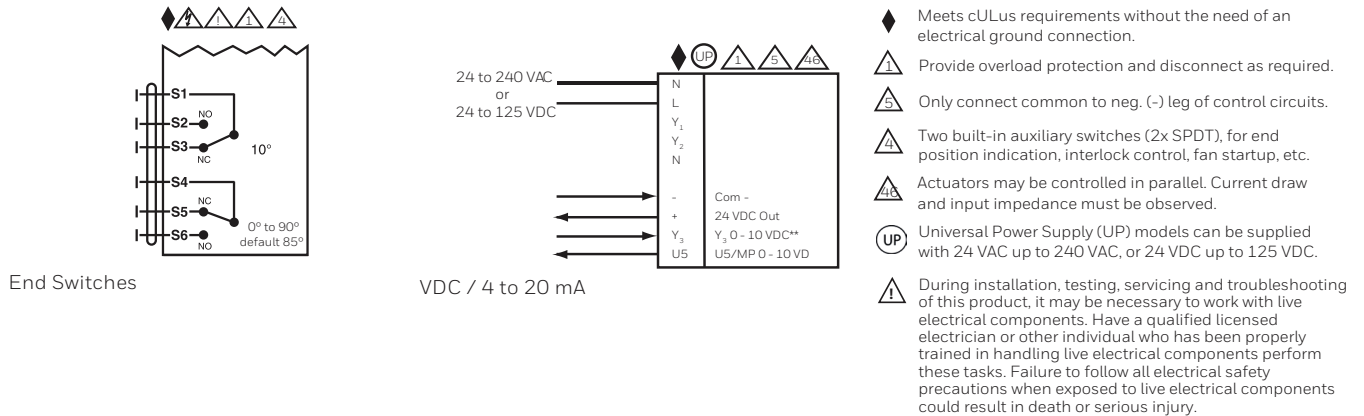


Fig. 40. Wiring for MBP, E7...6,7,8 actuators

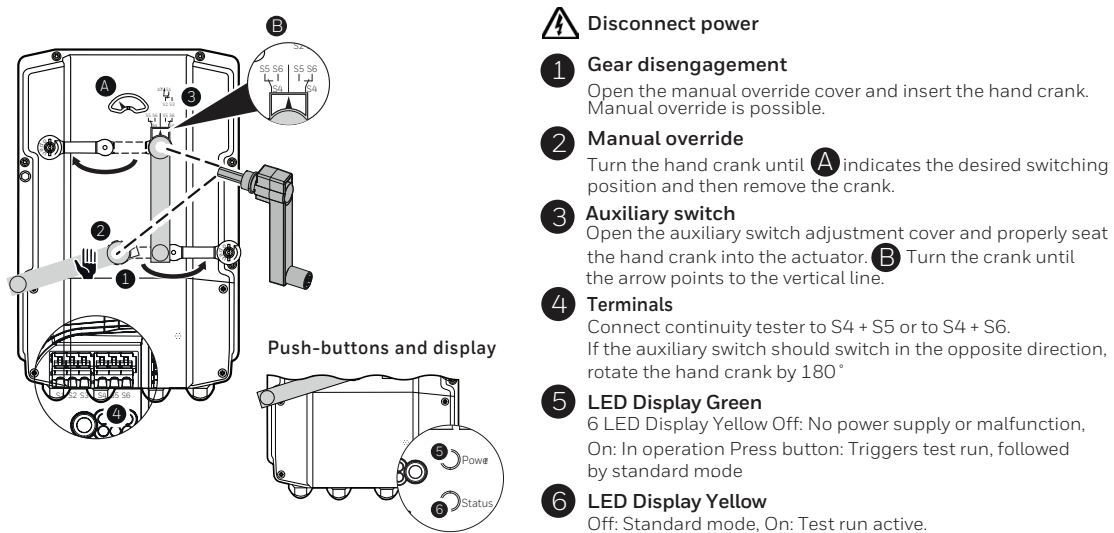
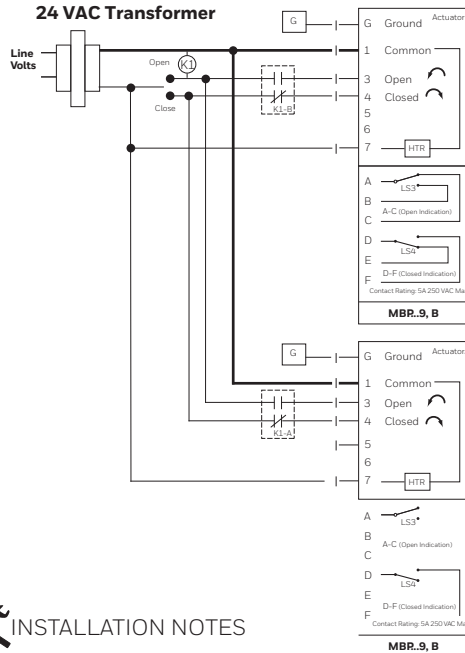
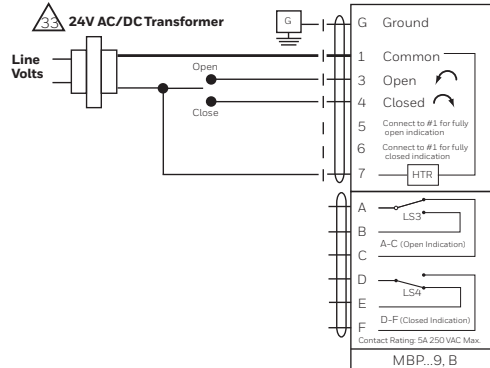


Fig. 41. MBP, E...6,7,8 switch adjustment

VR2, VR3, VR4, VR5 RESILIENT SEAT BUTTERFLY VALVES WITH LUGGED CONNECTIONS

24V AC/DC Transformer
On/Off



Each actuator should be powered by a single, isolated control transformer.

INSTALLATION NOTES

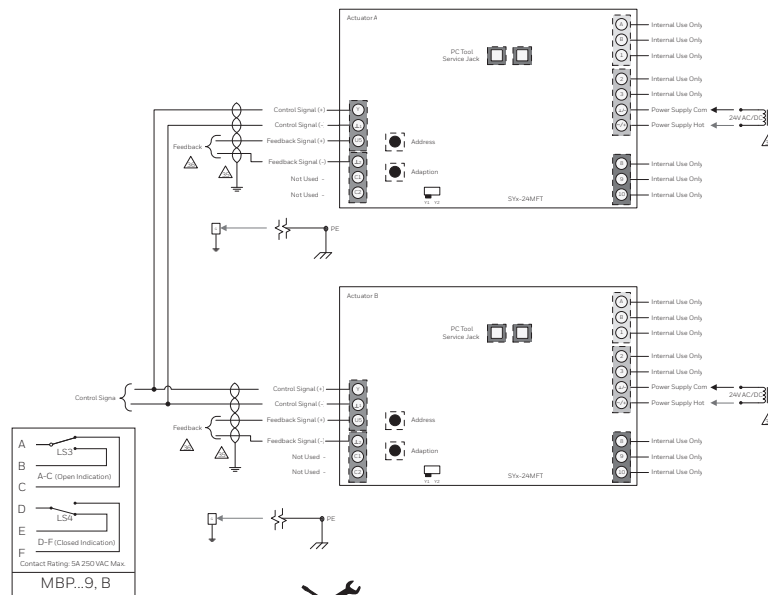
- Observe class 1 and class 2 wiring restrictions.
- Transformer sizing = MBP actuator draw X 1.25 (safety margin)

INSTALLATION NOTES

- Isolation relays must be used in parallel connection of multiple actuators using a common control signal input.
- "H" (L2) cannot be connected to terminal #3 and #4 simultaneously.
- Required: Terminal #7 needs to be field wired to enable heater circuit.

Fig. 42. Wiring for MBP6...9,B

Proportional, Multiple Wiring, 24V
MBP...9, B



INSTALLATION NOTES

Each actuator should be powered by a single, isolated control transformer.

- Observe class 1 and class 2 wiring restrictions.
- Transformer sizing = MBP actuator draw X 1.25 (safety margin)

Fig. 43. Wiring for MBP7...9,B actuators

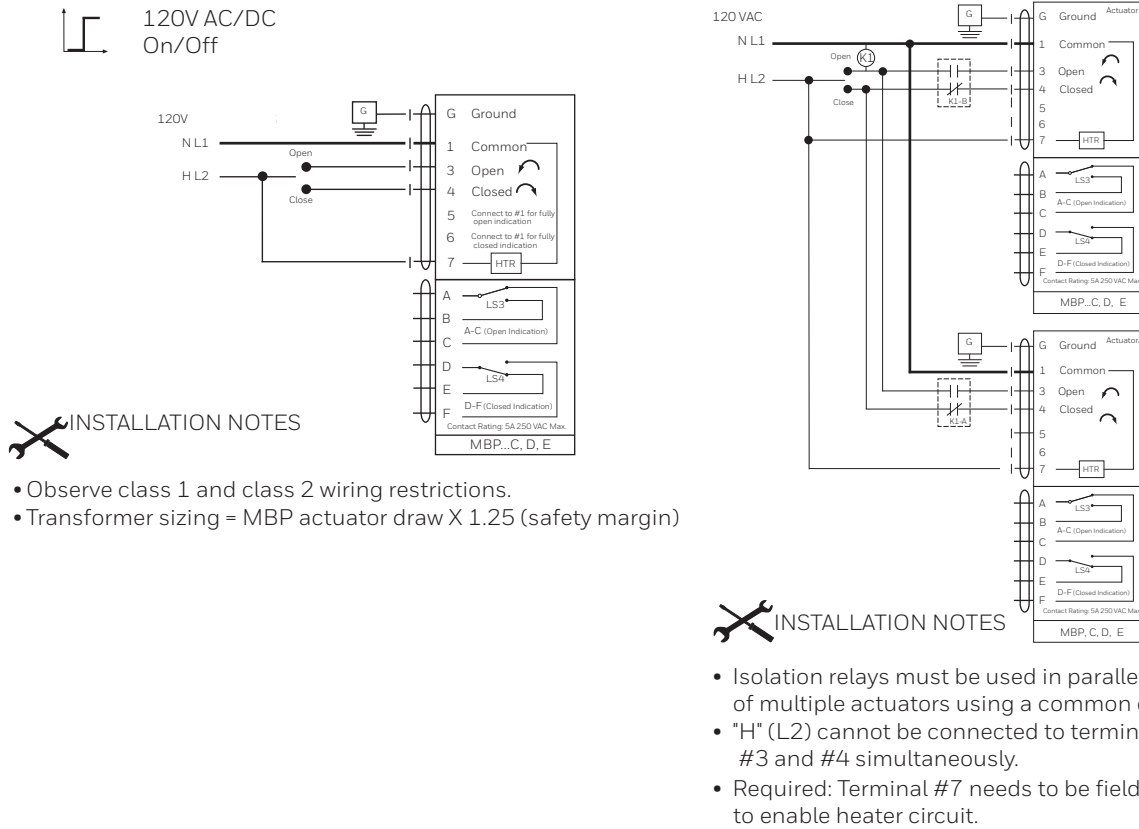
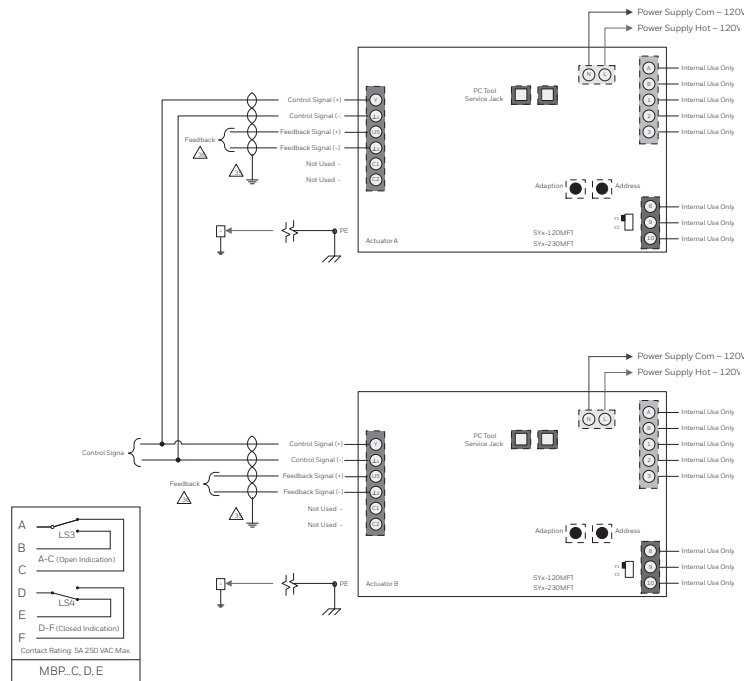



Fig. 44. Wiring for MBP6...C,D,E,F,G,H actuators

VR2, VR3, VR4, VR5 RESILIENT SEAT BUTTERFLY VALVES WITH LUGGED CONNECTIONS

Proportional, Multiple Wiring, 120V
MBP...C, D, E



 Each actuator should be powered by a single, isolated control transformer.

 INSTALLATION NOTES

- Observe class 1 and class 2 wiring restrictions.
- Transformer sizing = MBP actuator draw X 1.25 (safety margin)

Fig. 45. Wiring for MBP7...C,D,E,F,G,H actuators

Honeywell Building Technologies

In the U.S.:
Honeywell

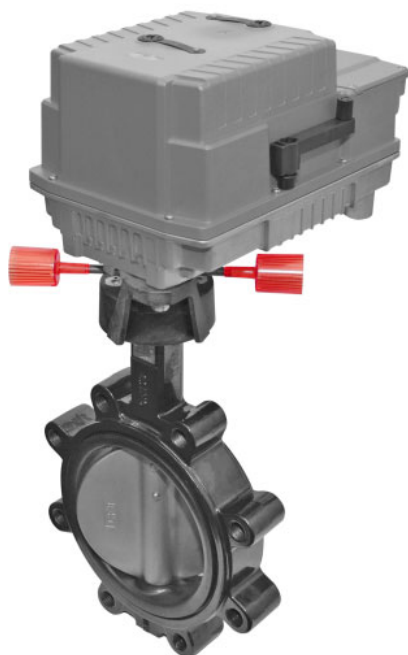
Honeywell

® U.S. Registered Trademark
© 2019 Honeywell International Inc.
31-00190EF-02 M.S. 07-19
Printed in United States

Honeywell

Vannes papillon à siège résistant VR2, VR3, VR4 VR5 à raccords à oreilles

DONNÉES SUR LE PRODUIT



CARACTÉRISTIQUES

Tous les modèles

- Tous les modèles
- Disques en acier inoxydable 304
- Corps de vanne en fonte ductile procurant une résistance et une durabilité accrues
- Tige de vanne en acier inoxydable
- Le siège de soupape en EPDM robuste agit aussi comme joint d'étanchéité de bride
- Siège étanche aux bulles à la fermeture
- Taux nominal de fermeture de 200 lb/po² pour les diamètres de 2 à 12 po
- Taux nominal de fermeture de 150 lb/po² pour les diamètres de 14 à 24 po
- Bride de fixation d'actionneur ISO 5211
- Disponible avec interfaces d'actionneur électrique installées en usine à deux positions : commande flottante (trois états) ou à modulation (2-10 V c.c.)
- Contournement manuel sur tous les modèles

- Les actionneurs à sécurité intrinsèque sont disponibles pour les vannes d'un diamètre maximal de 12 po
- Pour eau chaude, refroidie ou de condensation avec un maximum de 60 % de glycol dans les systèmes de CVC

Vannes à 2 voies (VR2)

- Tailles de 2 à 24 po avec raccords à oreilles ANSI de classe 125/150
- Caractéristiques de débit à pourcentage égal modifié
- Système de sécurité à ressort sur les modèles de 2 et 2,5 po et système électronique en option sur les modèles de 3 à 12 po.
- Actionneurs NEMA 2 et NEMA 4X disponibles sur les vannes de 5 po et moins; actionneurs NEMA 4X disponibles sur les vannes de 5 à 24 po

Ensembles de vannes à trois voies (VR3, 4, 5)

- Tailles de 2 à 18 po avec raccords à oreilles ANSI de classe 125/150
- Commande de mélange ou de dérivation
- Caractéristique de débit linéaire modifié
- Raccord en T standard en fonte compris
- Nombreuses configurations de ports convenant à différentes applications
- Système de sécurité à ressort sur les modèles de 2 po et système électronique en option sur les modèles de 2,5 à 12 po
- Actionneurs NEMA 2 et NEMA 4X disponibles sur les vannes de 3 po et moins; actionneurs NEMA 4X disponibles sur les vannes de 3 à 18 po

Table des matières

| | |
|--------------------------------------|----|
| Caractéristiques | 1 |
| Spécifications | 2 |
| Plans Dimensionnels | 5 |
| Spécifications de l'actionneur | 16 |
| Modèles de vanne à 3 voies | 20 |
| Installation | 22 |



31-00190EF-02

SPÉCIFICATIONS

REMARQUE : Toutes les spécifications étaient précises au moment de la publication. Honeywell réserve le droit d'améliorer ou d'abandonner des produits sans préavis. Pour obtenir la documentation technique la plus récente, veuillez consulter le site Web <http://>

Modèles :

Voir le Tableau 1

Dimensions :

Voir la Fig. 1–21

Montage :

pour brides ASME/ANSI de classe 125/150

Types de corps :

Vanne papillon à deux ou trois voies avec raccords à oreilles

Dimensions du corps :

2 voies : 2 à 24 po

3 voies : 2 à 18 po

Caractéristiques de débit :

2 voies : pourcentage égal modifié

3 voies : débit linéaire modifié

Body Static Pressure Rating (maximum):

Conforme à la norme ASME/ANSI classe 125

Pression de service à froid :

232 lb/po²

Pression nominale de fermeture (différentiel maximum) :

Vannes de 2 à 12 po : 200 lb/po²

Vannes de 14 à 24 po : 150 lb/po²

Liquides contrôlés :

Eau chaude ou refroidie contenant jusqu'à 60 % de glycol

Plage de température des liquides :

-30 °C à 121 °C (-22 °F à 250 °F)

Vitesse maximale :

3,7 m/s (12 pi/s)

Matériaux :

Corps :

2 à 6 po et 14 à 24 po : fonte ductile à revêtement poudre d'époxy ASTM A536.

8 à 12 po : fonte ductile à revêtement poudre de polyester ASTM A536

Disque : Acier inoxydable 304

Tige :

2 à 6 po et 14 à 24 po : Acier inoxydable 416

8 à 12 po : Acier inoxydable 420

Siège : EPDM

Joint toriques : EPDM

Douilles :

2 à 6 po et 14 à 24 po : RPTFE

8 à 12 po : bronze, acier, PTFE

Approbations et normes :

Fermeture : conception étanche aux bulles à la pression nominale de fermeture.

Actionneurs de vannes de 12 po et moins : cULus, CE

Actionneurs sur les vannes de 14 po et plus : cCSAus, CE

Températures ambiantes nominales pour l'actionneur :

Voir le Tableau

Accessoires :

MB-IND-1

Indicateur de position, petit

MB-IND-2

Indicateur de position, grand

MB-NSR-SWITCH

Interrupteur auxiliaire NSR DCA

MB-NSR-N4HEAT

Trousse de chauffage NSR

NEMA4 DCA

(Doit être commandée avec la vanne, installé à l'usine)

MB-SR-N4HEAT

Trousse de chauffage SR

NEMA4 DCA

(Doit être commandée avec la vanne, installé à l'usine)

Tableau 1. Sélection de modèle de vanne papillon

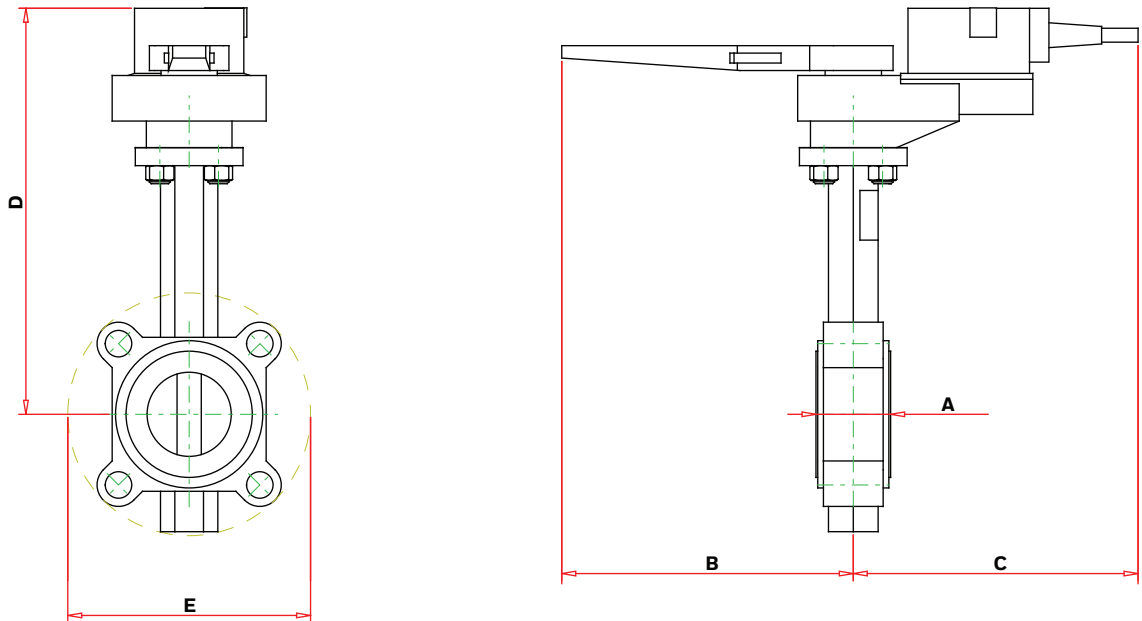
| Vanne Papillon | Type de raccordement | Motif de corps | Diamètre de vanne | Signal de commande de l'actionneur | Tension d'actionneur | Fonction de sécurité | Tension/rétroaction du contacteur | Caractéristiques nominales NEMA | Description |
|----------------|--|---|--|------------------------------------|----------------------|----------------------|-----------------------------------|---------------------------------|--|
| V | R | Siège résistant ANSI 125/150 (Standard) | | | | | | | |
| | | 2 | 2 voies | | | | | | |
| | | 3 | Configurations à 3 voies (voir la Fig. 20) | | | | | | |
| | | 4 | | | | | | | |
| | | 5 | | | | | | | |
| | | 5 | | | | | | | |
| | | F | 2 po (DN 50) | | | | | | |
| | | G | 2,5 po (DN 65) | | | | | | |
| | | H | 3 po (DN 80) | | | | | | |
| | | J | 4 po (DN 100) | | | | | | |
| | | K | 5 po (DN 125) | | | | | | |
| | | L | 6 po (DN 150) | | | | | | |
| | | M | 8 po (DN 200) | | | | | | |
| | | N | 10 po (DN 250) | | | | | | |
| | | P | 12 po (DN 300) | | | | | | |
| | | R | 14 po (DN 350) | | | | | | |
| | | S | 16 po (DN 400) | | | | | | |
| | | T | 18 po (DN 450) | | | | | | |
| | | U | 20 po (DN 500) | | | | | | |
| | | V | 24 po (DN 600) | | | | | | |
| | | 6 | Flottant/deux positions (SPDT) | | | | | | |
| | | 7 | À modulation analogique (0) 2-10 V c.c. | | | | | | |
| | | 8 | Deux positions (SPST) | | | | | | |
| | | L | 24 V c.a./c.c. | | | | | | |
| | | H | 120 V c.a. | | | | | | |
| | | U | 24-240 V c.a./24-125 V c.c. | | | | | | |
| | | P | Maintien de position en cas de panne | | | | | | |
| | | S | Ressort de rappel au port A (maître) pour maintien de position ouverte en cas de panne | | | | | | |
| T | Ressort de rappel au port A (maître) pour maintien de position fermée en cas de panne | | | | | | | | |
| E | Dispositif de sécurité électronique (position fermée par défaut, modifiable sur place) | | | | | | | | |
| N | Aucune rétroaction | | | | | | | | |
| F | Rétroaction analogique | | | | | | | | |
| S | Interrupteurs auxiliaires intégrés | | | | | | | | |
| B | Rétroaction analogique et interrupteurs auxiliaires | | | | | | | | |
| 2 | NEMA 2 | | | | | | | | |
| 4 | NEMA 4X | | | | | | | | |
| H | NEMA 4X (avec réchauffeur) | | | | | | | | |
| V | R | 2 | H | 7 | L | P | F | 2 | Exemple : VANNE PAPILLON À SIÈGE RÉSISTANT, 2 VOIES, 3 PO, CV302 FERMETURE 200 LB/PO ² , 24 V C.A., 2 À 10 V C.C., 150 S, SÉCURITÉ INTRINSÈQUE, RÉTROACTION, NEMA2, (Y COMPRIS L'ACTIONNEUR MBP7L4F2/U) |

Tableau 2. Sélection de modèle d'actionneur de remplacement de vanne papillon

| Type | À sécurité intrinsèque | Régulation | Alimentation | Type d'actionneur | Rétroaction | Nema | Description |
|-----------|--|--|--------------|-------------------|-------------|----------|--|
| MB | Moteur de vanne papillon | | | | | | |
| | S | Système de sécurité à ressort | | | | | |
| | E | Système de sécurité électronique | | | | | |
| | P | Maintien de position en cas de panne | | | | | |
| | 6 | Flottant/2 positions | | | | | |
| | 7 | À modulation analogique (0)2-10 VDC | | | | | |
| | 8 | 2 positions | | | | | |
| | L | 24 V c.a. / V c.c. | | | | | |
| | H | 120 V c.a. | | | | | |
| | U | 24-240 V c.a. /24-125 V c.c. | | | | | |
| | 1 | SR 180 lb-po | | | | | |
| | 2 | NSR 180 lb-po | | | | | |
| | 3 | SR 180 lb-po | | | | | |
| | A | NSR 180 lb-po | | | | | |
| | 4 | EFS/FIP 360 lb-po | | | | | |
| | R | EFS/FIP 360 lb-po (VH et VR 3 voies) | | | | | |
| | 5 | EFS/FIP 800 lb-po | | | | | |
| | 6 | EFS/FIP 1400 lb-po (vannes de 3, 4, 5, 6 et 12 po) | | | | | |
| | 7 | EFS/FIP 1400 lb-po (vannes de 8 po) | | | | | |
| | 8 | EFS/FIP 1400 lb-po (vannes de 10 po) | | | | | |
| | 9 | FIP 3540 lb-po | | | | | |
| | B | FIP 4425 lb-po | | | | | |
| | C | FIP 5755 lb-po | | | | | |
| | D | FIP 8850 lb-po | | | | | |
| | E | FIP 13275 lb-po | | | | | |
| | F | FIP 17700 lb-po | | | | | |
| | G | FIP 22125 lb-po | | | | | |
| H | FIP 26550 lb-po | | | | | | |
| N | No rétroaction | | | | | | |
| F | Rétroaction analogique | | | | | | |
| S | Commutateurs auxiliaires intégrés | | | | | | |
| B | Comprend des commutateurs auxiliaires et de rétroaction analogique | | | | | | |
| 2 | NEMA 2 | | | | | | |
| 4 | NEMA 4X | | | | | | |
| H | NEMA 4X (avec RÉCHAUFFEUR) | | | | | | |
| MB | S | 8 | U | 1 | N | 2 | Exemple : ACTIONNEUR DE VANNE PAPILLON POUR SÉRIES VR ET VH, RESSORT DE RETOUR, 2 POSITIONS, 24-240 V C.A., 180 LB-PO, NEMA2 |

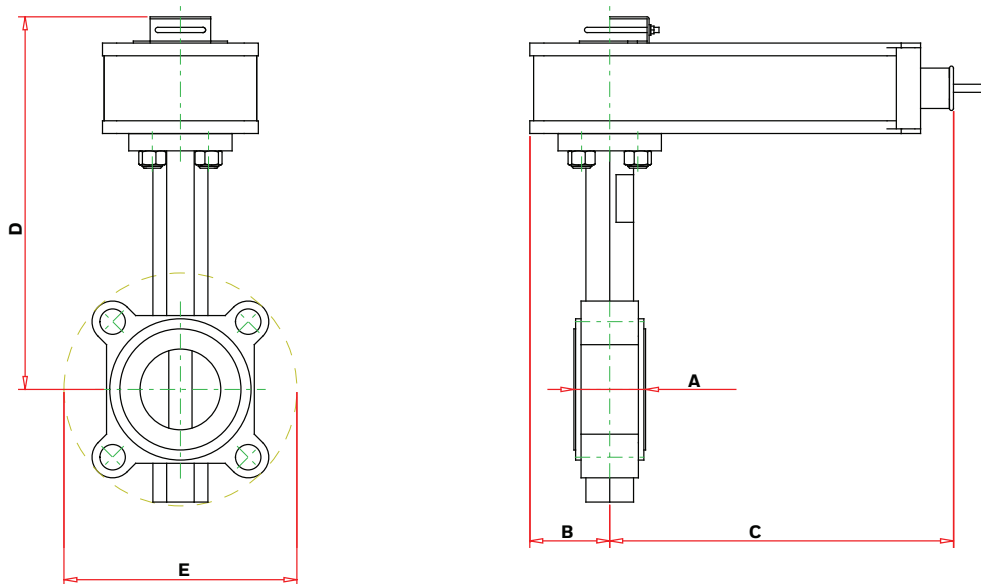
REMARQUE : Les tableaux ci-dessus sont destinés à expliquer la signification du système de numérotation de la vanne papillon et de l'actionneur. Il ne s'agit pas d'un outil de configuration du produit. Seuls les numéros de pièce compris dans les catalogues de prix Honeywell peuvent être commandés. Veuillez vous reporter au cpq.honeywell.com pour connaître les configurations disponibles.

PLANS DIMENSIONNELS



| Diam. | | Dimensions, po (mm) | | | | |
|-------|----|---------------------|------------|------------|-------------|------------|
| po | DN | A | B | C | D | E |
| 2 | 50 | 1,77 (45) | 6,93 (176) | 6,77 (172) | 9,65 (245) | 5,77 (147) |
| 2,5 | 65 | 1,90 (48) | 6,93 (176) | 6,77 (172) | 10,20 (259) | 6,52 (166) |

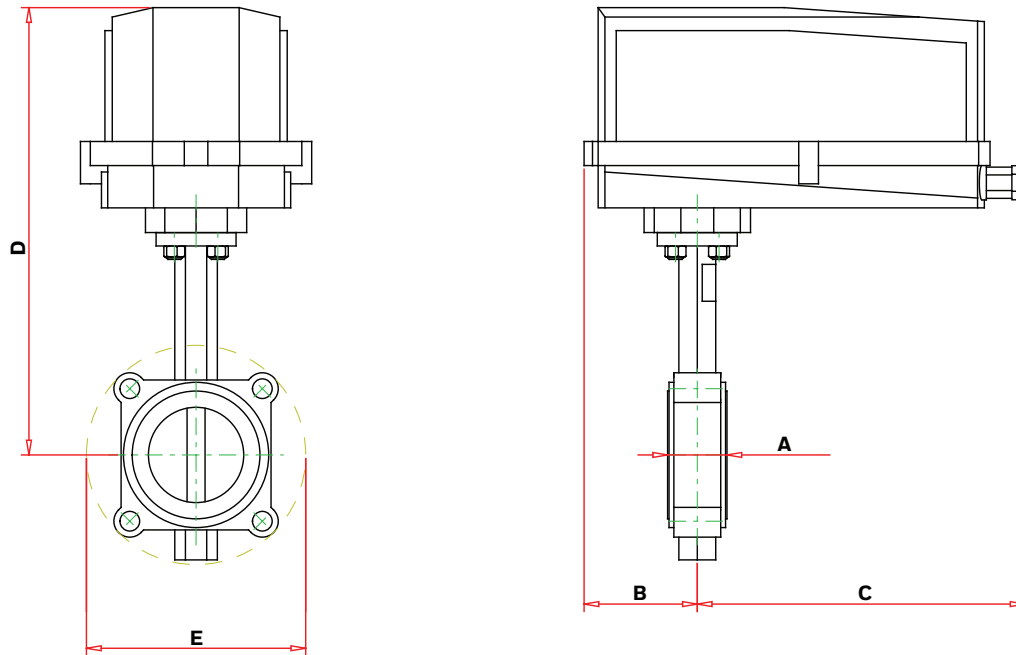
Fig. 1. Vannes à 2 voies avec actionneurs NEMA 2 MBP ... 2,3



| Diam. | | Dimensions, po (mm) | | | | |
|-------|----|---------------------|-----------|------------|------------|------------|
| po | DN | A | B | C | D | E |
| 2 | 50 | 1,77 (45) | 1,98 (50) | 8,52 (216) | 9,23 (234) | 5,77 (147) |
| 2,5 | 65 | 1,90 (48) | 1,98 (50) | 8,52 (216) | 9,78 (248) | 6,52 (166) |

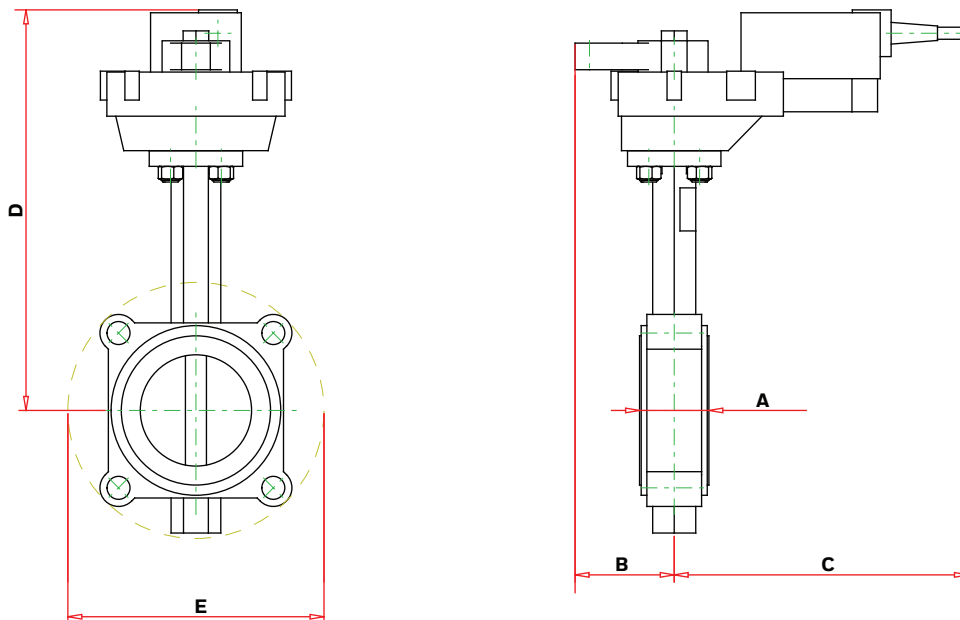
Fig. 2. Vannes à 2 voies avec actionneurs NEMA 2 MBS...3

VANNES PAPILLON À SIÈGE RÉSISTANT VR2, VR3, VR4 VR5 À RACCORDS À OREILLES



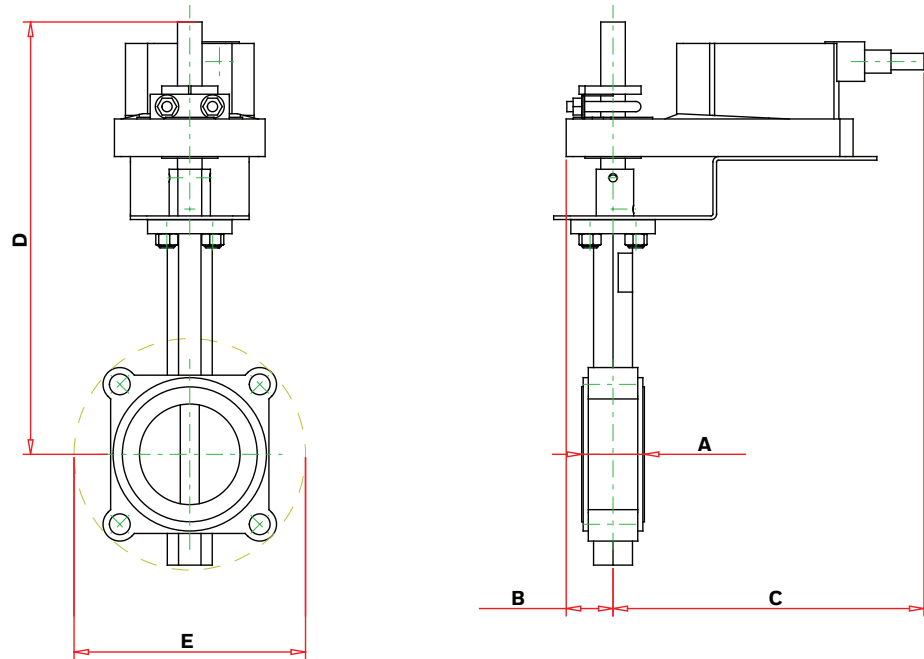
| Diam. | | Dimensions, po (mm) | | | | |
|-------|----|---------------------|-----------|-------------|-------------|------------|
| po | DN | A | B | C | D | E |
| 2 | 50 | 1,77 (45) | 3,62 (92) | 10,49 (266) | 13,54 (344) | 5,77 (147) |
| 2,5 | 65 | 1,90 (48) | 3,62 (92) | 10,49 (266) | 14,09 (358) | 6,52 (166) |
| 3 | 80 | 1,90 (48) | 3,62 (92) | 10,49 (266) | 14,32 (364) | 7,02 (178) |

Fig. 3. Vannes à 2 voies avec actionneurs NEMA 4 MBP, E....3, 4



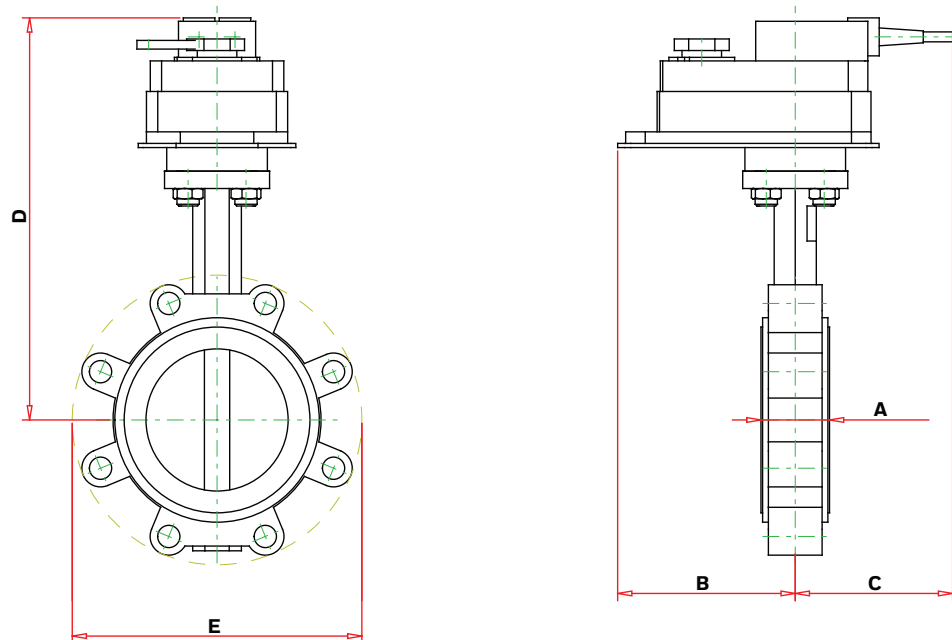
| Diam. | | Dimensions, po (mm) | | | | |
|-------|----|---------------------|-----------|------------|-------------|------------|
| po | DN | A | B | C | D | E |
| 3 | 80 | 1,90 (48) | 2,72 (69) | 8,06 (205) | 10,98 (279) | 7,02 (178) |

Fig. 4. Vannes à 2 voies avec actionneurs NEMA 4 MBP, E....3, 4



| Diam. | | Dimensions, po (mm) | | | | |
|-------|----|---------------------|-----------|------------|-------------|------------|
| po | DN | A | B | C | D | E |
| 3 | 80 | 1,90 (48) | 1,42 (36) | 9,43 (240) | 13,11 (333) | 7,02 (178) |

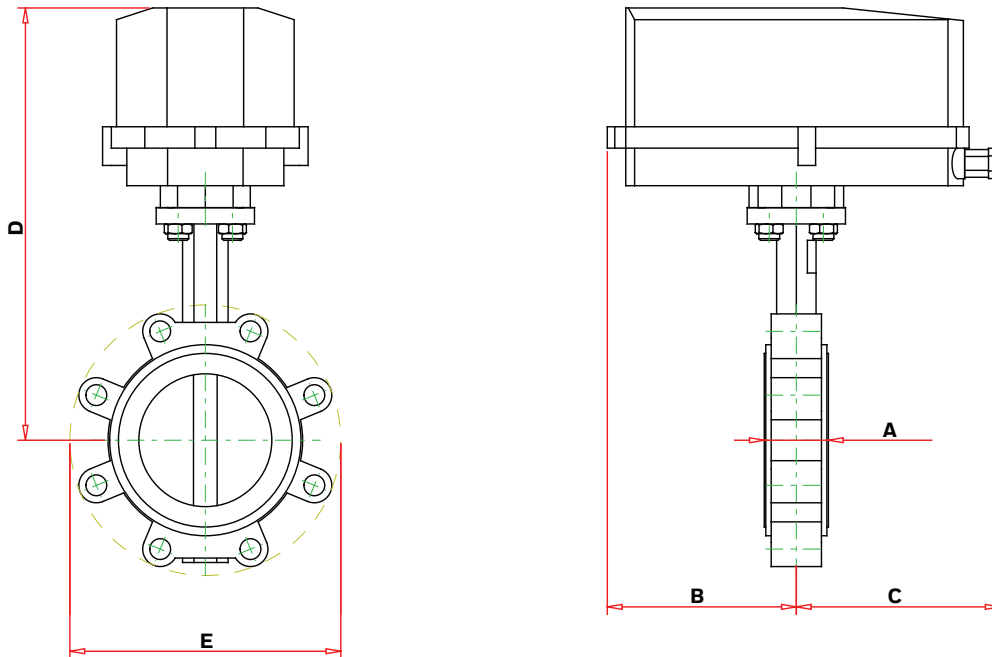
Fig. 5. Vannes à 2 voies avec actionneurs NEMA 2 MBE...4



| Diam. | | Dimensions, po (mm) | | | | |
|-------|-----|---------------------|------------|------------|-------------|------------|
| po | DN | A | B | C | D | E |
| 4 | 100 | 2,12 (55) | 5,99 (152) | 5,30 (135) | 13,03 (331) | 8,52 (216) |
| 5 | 125 | 2,31 (59) | 5,99 (152) | 5,30 (135) | 13,55 (344) | 9,76 (248) |

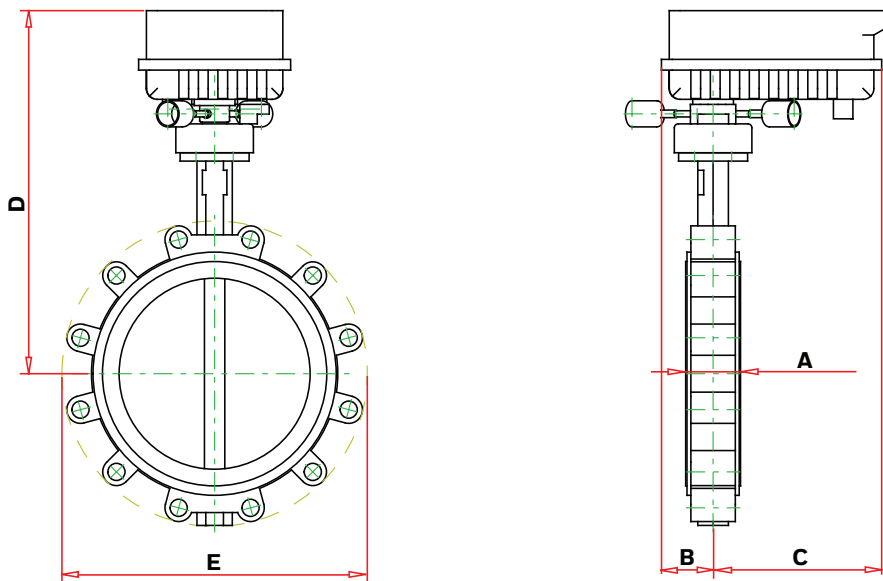
Fig. 6. Vannes à 2 voies avec actionneurs NEMA 2 MBP, E...5

VANNES PAPILLON À SIÈGE RÉSISTANT VR2, VR3, VR4 VR5 À RACCORDS À OREILLES



| Diam. | | Dimensions, po (mm) | | | | |
|-------|-----|---------------------|------------|------------|-------------|------------|
| po | DN | A | B | C | D | E |
| 4 | 100 | 2,15 (55) | 6,81 (173) | 7,34 (186) | 15,07 (383) | 8,52 (216) |
| 5 | 125 | 2,31 (59) | 6,81 (173) | 7,34 (186) | 15,59 (396) | 9,76 (248) |

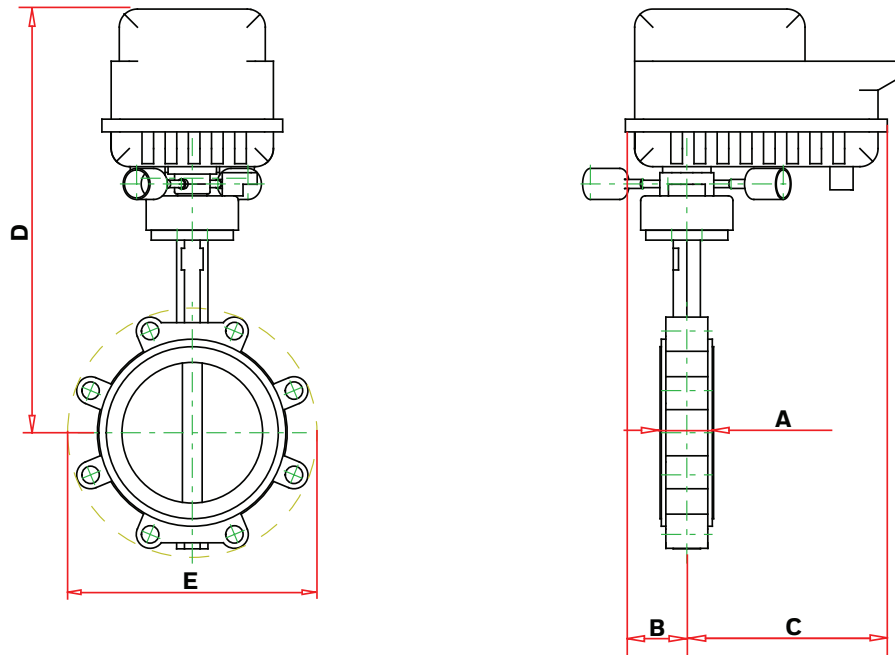
Fig. 7. Vannes à 2 voies avec actionneurs NEMA 4 MBP, E...5



| Diam. | | Dimensions, po (mm) | | | | |
|-------|-----|---------------------|-----------|------------|-------------|-------------|
| po | DN | A | B | C | D | E |
| 6 | 150 | 2,20 (56) | 2,65 (67) | 9,30 (236) | 16,03 (407) | 10,76 (273) |
| 8 | 200 | 2,36 (60) | 2,65 (67) | 9,30 (236) | 17,37 (441) | 13,02 (331) |
| 10 | 250 | 2,68 (68) | 2,65 (67) | 9,30 (236) | 18,63 (473) | 15,68 (398) |
| 12 | 300 | 3,07 (78) | 2,65 (67) | 9,30 (236) | 20,40 (518) | 18,40 (467) |

Fig. 8. Vannes à 2 voies avec actionneurs MBP...6, 7, 8

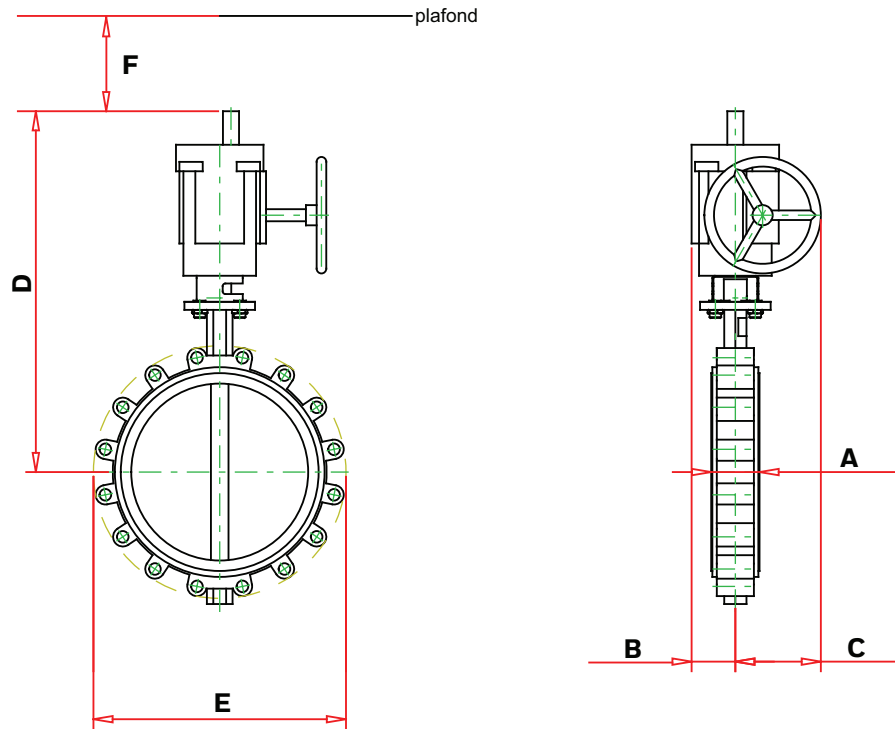
VANNES PAPILLON À SIÈGE RÉSIDANT VR2, VR3, VR4 VR5 À RACCORDS À OREILLES



| Diam. | | Dimensions, po (mm) | | | | |
|-------|-----|---------------------|-----------|------------|-------------|-------------|
| po | DN | A | B | C | D | E |
| 5 | 125 | 2,20 (56) | 2,65 (67) | 9,30 (236) | 17,77 (451) | 9,76 (248) |
| 6 | 150 | 2,20 (56) | 2,65 (67) | 9,30 (236) | 18,28 (464) | 10,76 (273) |
| 8 | 200 | 2,36 (60) | 2,65 (67) | 9,30 (236) | 19,62 (498) | 12,96 (329) |
| 10 | 250 | 2,68 (68) | 2,65 (67) | 9,30 (236) | 20,88 (530) | 15,66 (398) |
| 12 | 300 | 3,07 (78) | 2,65 (67) | 9,30 (236) | 22,65 (575) | 18,40 (467) |

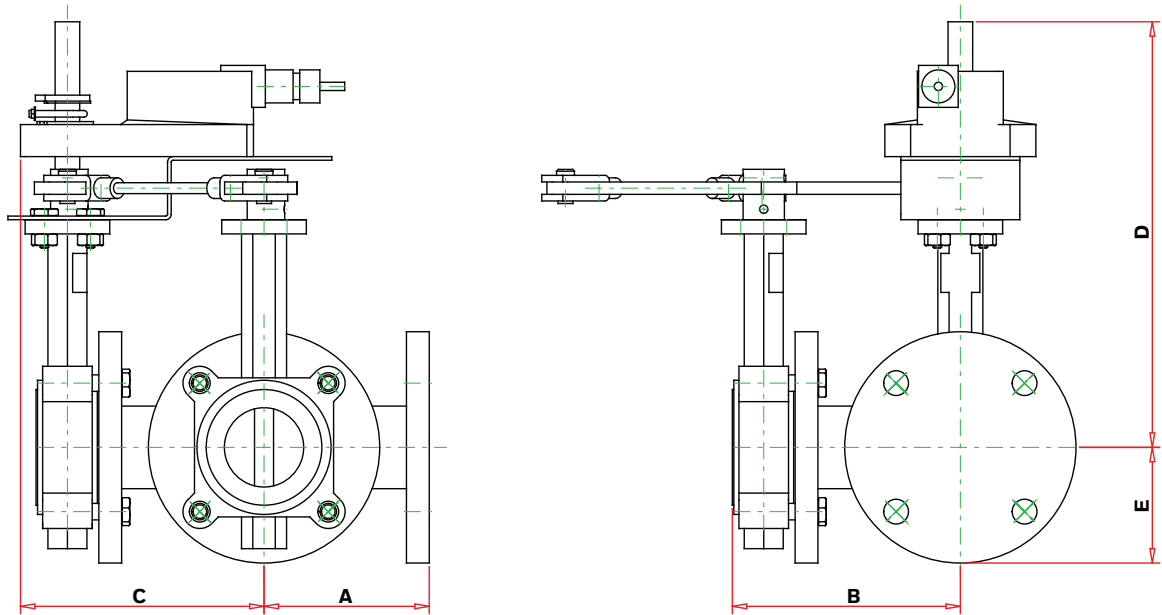
Fig. 9. Vannes à 2 voies avec actionneurs MBE...6, 7, 8

VANNES PAPILLON À SIÈGE RÉSISTANT VR2, VR3, VR4 VR5 À RACCORDS À OREILLES



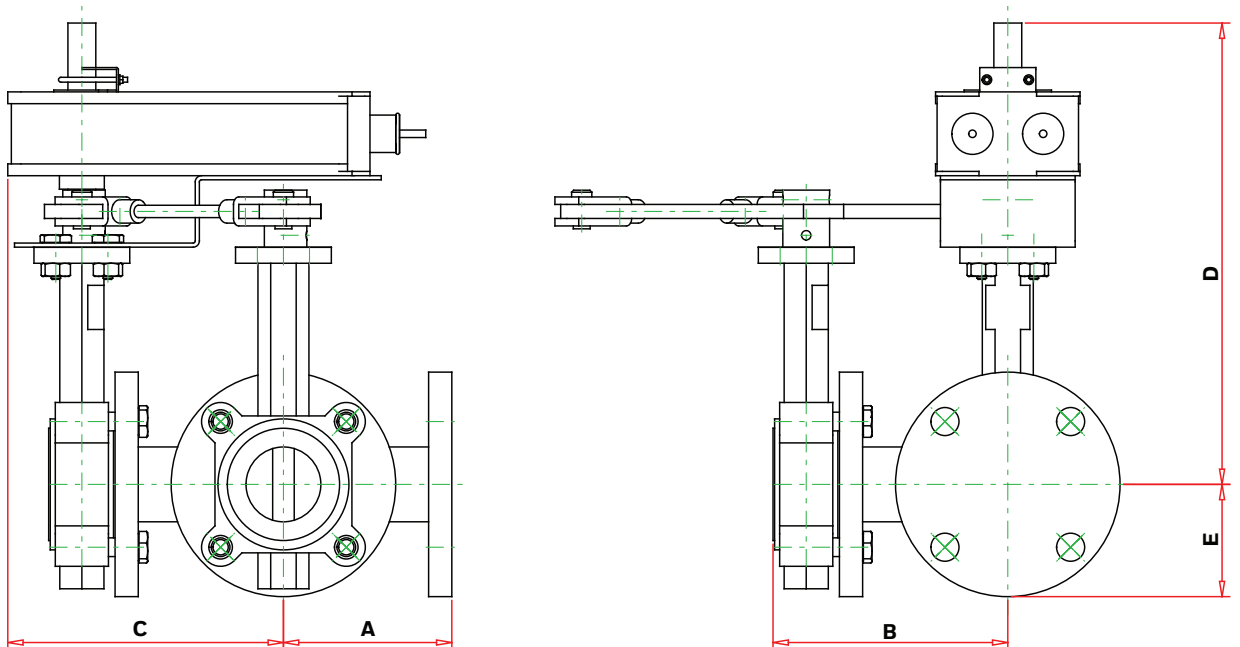
| Diam. | | Dimensions, po (mm) | | | | | |
|-------|-----|---------------------|------------|-------------|--------------|-------------|-------------|
| po | DN | A | B | C | D | E | F |
| 14 | 350 | 3,22 (82) | 4,40 (112) | 7,13 (181) | 26,97 (685) | 20,39 (518) | 15,07 (383) |
| 16 | 400 | 4,22 (107) | 4,40 (112) | 7,13 (181) | 30,77 (782) | 22,89 (581) | 16,70 (424) |
| 18 | 450 | 4,71 (120) | 4,27 (109) | 8,35 (212) | 35,22 (895) | 24,65 (626) | 19,87 (505) |
| 20 | 500 | 5,25 (133) | 4,27 (109) | 8,35 (212) | 37,50 (953) | 26,89 (683) | 19,16 (487) |
| 24 | 600 | 6,36 (162) | 3,18 (81) | 14,98 (381) | 43,93 (1116) | 31,64 (804) | 21,66 (550) |

Fig. 10. Vannes à 2 voies avec actionneurs MBP...B, C, E, H



| Diam. | | Dimensions, po (mm) | | | | |
|-------|----|---------------------|------------|------------|-------------|-----------|
| po | DN | A | B | C | D | E |
| 2 | 50 | 4,50 (114) | 6,27 (159) | 6,57 (167) | 12,33 (313) | 3,00 (76) |
| 2,5 | 65 | 5,00 (127) | 6,90 (175) | 7,37 (187) | 12,88 (327) | 3,50 (89) |

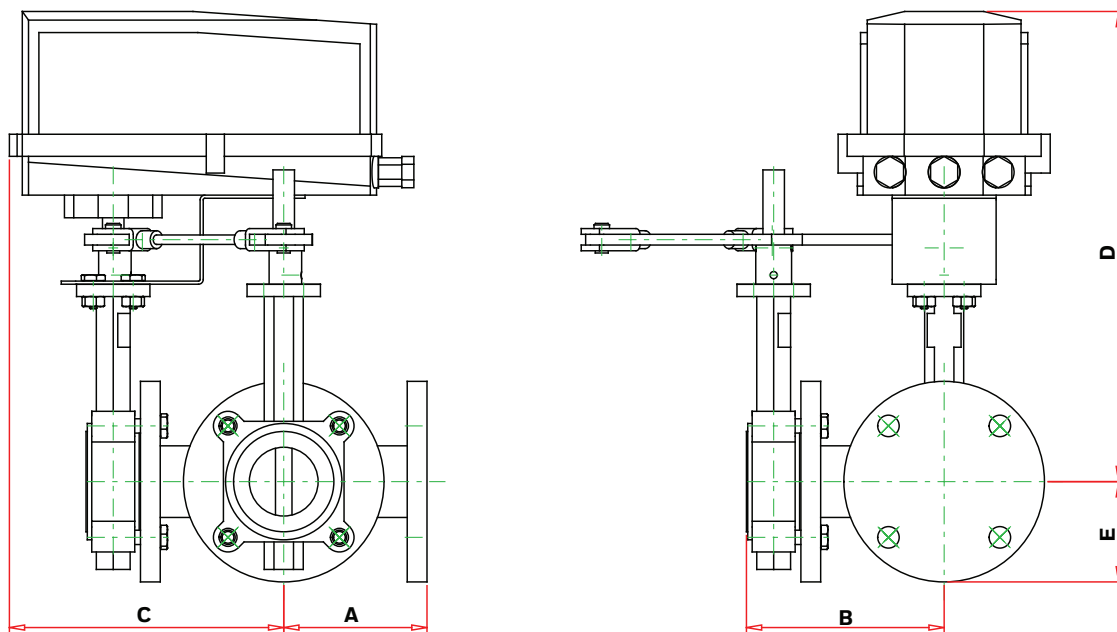
Fig. 11. Vannes à 3 voies avec actionneurs NEMA 2 MBP, E... 2, 3, A, R



| Diam. | | Dimensions, po (mm) | | | | |
|-------|----|---------------------|------------|------------|-------------|-----------|
| po | DN | A | B | C | D | E |
| 2 | 50 | 4,50 (114) | 6,27 (159) | 7,37 (187) | 12,33 (313) | 3,00 (76) |

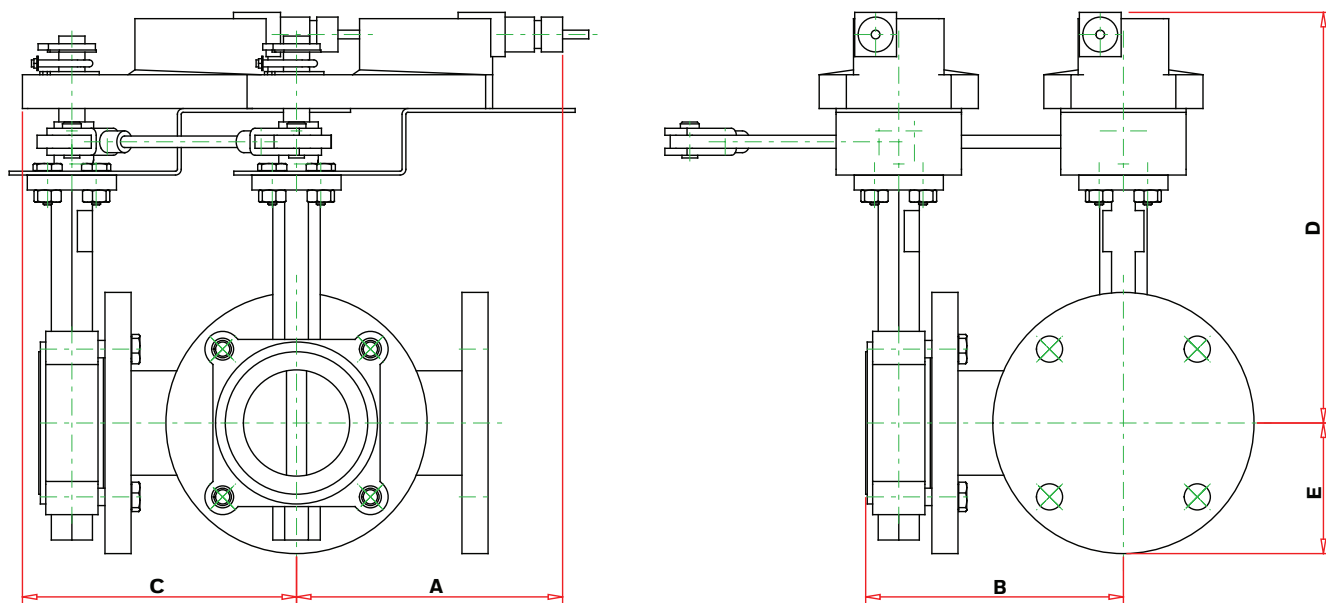
Fig. 12. Vannes à 3 voies avec actionneurs NEMA 2 MBS...1, 3

VANNES PAPILLON À SIÈGE RÉSIDANT VR2, VR3, VR4 VR5 À RACCORDS À OREILLES



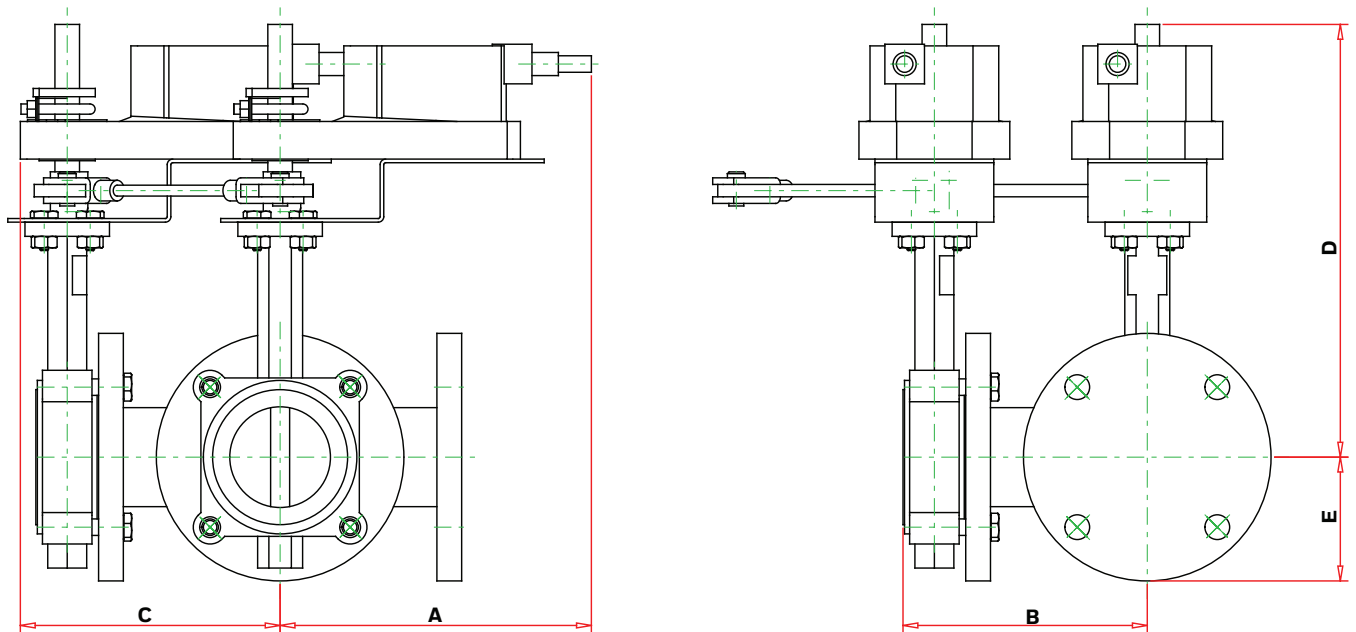
| Diam. | | Dimensions, po (mm) | | | | |
|-------|----|---------------------|------------|------------|-------------|-----------|
| po | DN | A | B | C | D | E |
| 2 | 50 | 4,50 (114) | 6,27 (159) | 9,01 (229) | 15,86 (403) | 3,00 (76) |
| 2,5 | 65 | 5,00 (127) | 6,90 (175) | 9,57 (243) | 16,41 (417) | 3,50 (89) |

Fig. 13. Vannes à 3 voies avec actionneurs NEMA 4 MBP, E...R



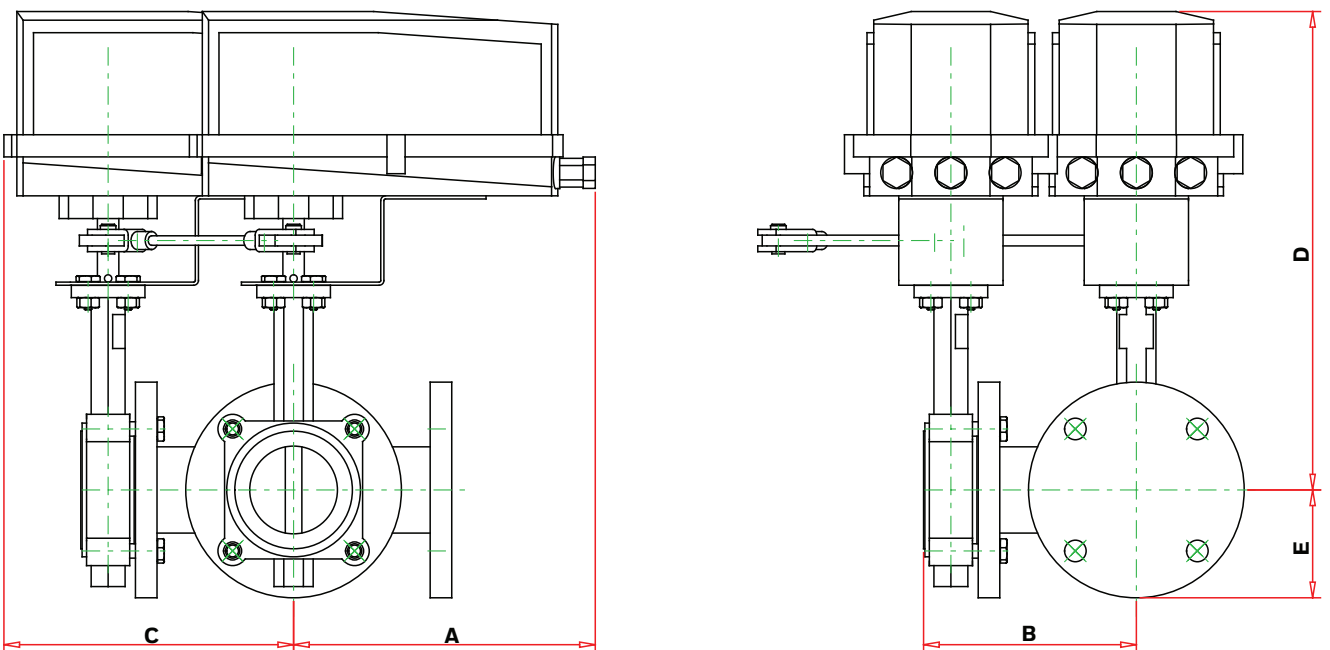
| Diam. | | Dimensions, po (mm) | | | | |
|-------|----|---------------------|------------|------------|-------------|-----------|
| po | DN | A | B | C | D | E |
| 3 | 80 | 7,64 (194) | 7,40 (188) | 7,87 (200) | 11,79 (300) | 3,75 (95) |

Fig. 14. Vannes à 3 voies avec actionneurs NEMA 2 MBP...R



| Diam. | | Dimensions, po (mm) | | | | |
|-------|----|---------------------|------------|------------|-------------|-----------|
| po | DN | A | B | C | D | E |
| 3 | 80 | 9,43 (240) | 7,40 (188) | 7,87 (200) | 13,11 (333) | 3,75 (95) |

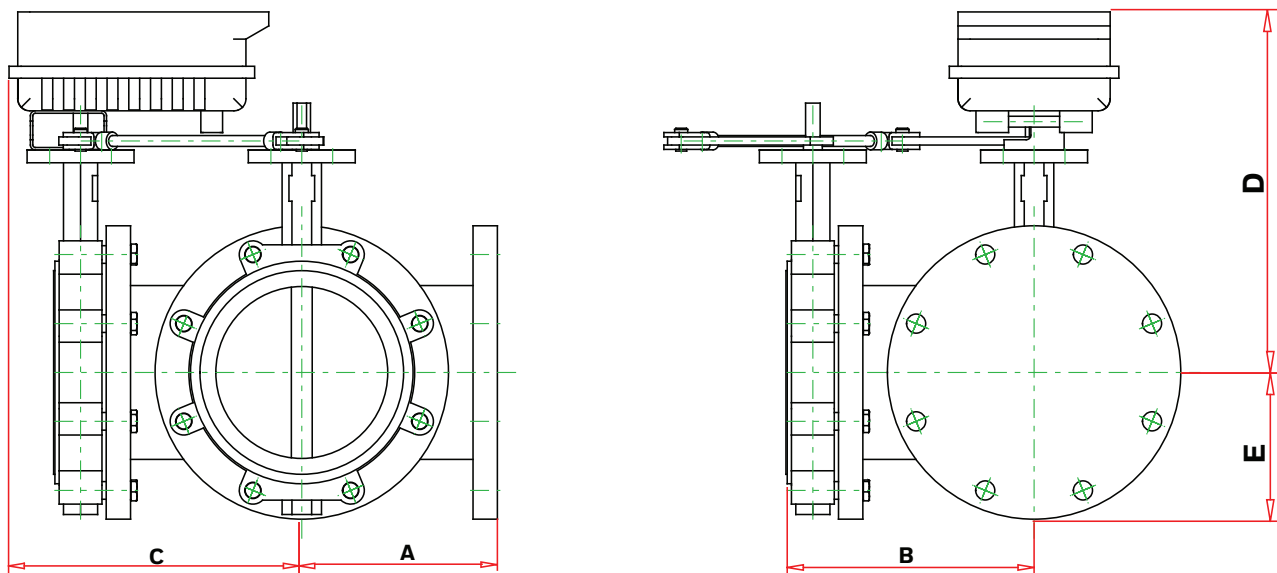
Fig. 15. Vannes à 3 voies avec actionneurs NEMA 2 MBE...R



| Diam. | | Dimensions, po (mm) | | | | |
|-------|----|---------------------|------------|-------------|-------------|-----------|
| po | DN | A | B | C | D | E |
| 3 | 80 | 10,49 (266) | 7,40 (188) | 10,07 (256) | 16,64 (423) | 3,75 (95) |

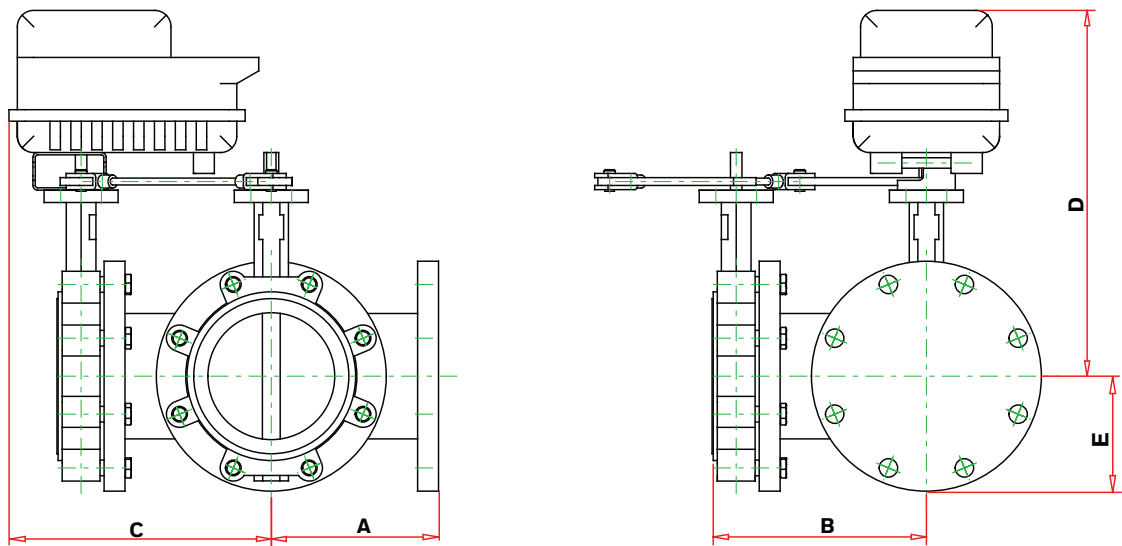
Fig. 16. Vannes à 3 voies avec actionneurs NEMA 4 MBP...R

VANNES PAPILLON À SIÈGE RÉSISTANT VR2, VR3, VR4 VR5 À RACCORDS À OREILLES



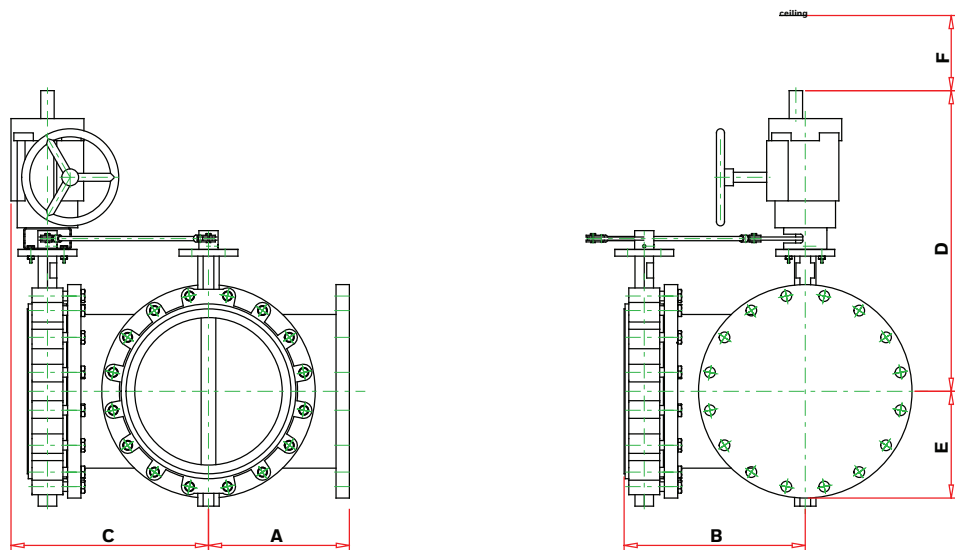
| Diam. | | Dimensions, po (mm) | | | | |
|-------|-----|---------------------|-------------|-------------|-------------|------------|
| po | DN | A | B | C | D | E |
| 3 | 80 | 5,50 (140) | 7,56 (192) | 8,89 (226) | 14,97 (380) | 3,75 (95) |
| 4 | 100 | 6,50 (165) | 8,55 (217) | 11,13 (283) | 14,22 (361) | 4,50 (114) |
| 5 | 125 | 7,50 (191) | 9,70 (246) | 12,05 (306) | 14,74 (374) | 5,00 (127) |
| 6 | 150 | 8,00 (203) | 10,20 (256) | 12,55 (319) | 15,25 (387) | 5,50 (140) |
| 8 | 200 | 9,00 (229) | 11,36 (289) | 13,47 (342) | 16,59 (421) | 6,75 (172) |
| 10 | 250 | 11,00 (279) | 13,68 (348) | 15,31 (389) | 17,85 (453) | 8,00 (203) |
| 12 | 300 | 12,00 (305) | 15,07 (383) | 16,12 (409) | 19,62 (498) | 9,50 (241) |

Fig. 17. Vannes à 3 voies avec actionneurs MBP..6, 7, 8



| Diam. | | Dimensions, po (mm) | | | | |
|-------|-----|---------------------|-------------|-------------|-------------|------------|
| po | DN | A | B | C | D | E |
| 4 | 100 | 6,50 (165) | 8,55 (217) | 11,13 (283) | 16,47 (418) | 4,50 (114) |
| 5 | 125 | 7,50 (191) | 9,70 (246) | 12,05 (306) | 16,99 (432) | 5,00 (127) |
| 6 | 150 | 8,00 (203) | 10,20 (259) | 12,55 (319) | 17,50 (445) | 5,50 (140) |
| 8 | 200 | 9,00 (229) | 11,36 (289) | 13,47 (342) | 18,84 (479) | 6,75 (172) |
| 10 | 250 | 11,00 (279) | 13,68 (348) | 15,31 (389) | 20,10 (511) | 8,00 (203) |
| 12 | 300 | 12,00 (305) | 15,07 (383) | 16,12 (409) | 21,87 (556) | 9,50 (241) |

Fig. 18. Vannes à 3 voies avec actionneurs MBE...6, 7, 8



| Diam. | | Dimensions, po (mm) | | | | | |
|-------|-----|---------------------|-------------|-------------|-------------|-------------|------------|
| po | DN | A | B | C | D | E | F |
| 14 | 350 | 14,00 (356) | 17,22 (437) | 20,01 (508) | 29,51 (750) | 10,50 (267) | 8,80 (224) |
| 16 | 400 | 15,00 (381) | 19,22 (488) | 21,38 (543) | 34,35 (873) | 11,75 (299) | 8,80 (224) |
| 18 | 450 | 16,50 (419) | 21,21 (539) | 23,13 (588) | 35,22 (895) | 12,50 (318) | 8,80 (224) |

Fig. 19. Vannes à 3 voies avec actionneurs MBP...C, D, E

SPÉCIFICATIONS DE L'ACTIONNEUR

Tableau 3. Actionneurs utilisés sur les ensembles à 2 voies

| Montage | Actionneur | Montage | Actionneur | Montage | Actionneur |
|-------------|------------|-------------|------------|-------------|------------|
| VR2F6LPN2/M | MBP6L2N2/U | VR2G7LTF2/M | MBS7L3F2/U | VR2K7LPP4/M | MBP7L5F4/U |
| VR2F6LPN4/M | MBP6L4N4/U | VR2G7LTF4/M | MBS7L3F4/U | VR2K7UEBH/M | MBE7U6BH/U |
| VR2F7LPP2/M | MBP7L2F2/U | VR2G8USN2/M | MBS8U3N2/U | VR2L6UESH/M | MBE6U6SH/U |
| VR2F7LPP4/M | MBP7L4F4/U | VR2G8USN4/M | MBS8U3N4/U | VR2L6UPSH/M | MBP6U6SH/U |
| VR2F7LSB2/M | MBS7L3B2/U | VR2G8USS2/M | MBS8U3S2/U | VR2L7UEBH/M | MBE7U6BH/U |
| VR2F7LSB4/M | MBS7L3B4/U | VR2G8USS4/M | MBS8U3S4/U | VR2L7UPBH/M | MBP7U6BH/U |
| VR2F7LSF2/M | MBS7L3F2/U | VR2G8UTN2/M | MBS8U3N2/U | VR2M6UESH/M | MBE6U7SH/U |
| VR2F7LSF4/M | MBS7L3F4/U | VR2G8UTN4/M | MBS8U3N4/U | VR2M6UPSH/M | MBP6U7SH/U |
| VR2F7LTB2/M | MBS7L3B2/U | VR2G8UTS2/M | MBS8U3S2/U | VR2M7UEBH/M | MBE7U7BH/U |
| VR2F7LTB4/M | MBS7L3B4/U | VR2G8UTS4/M | MBS8U3S4/U | VR2M7UPBH/M | MBP7U7BH/U |
| VR2F7LTF2/M | MBS7L3F2/U | VR2H6LEN2/M | MBE6L4N2/U | VR2N6UESH/M | MBE6U8SH/U |
| VR2F7LTF4/M | MBS7L3F4/U | VR2H6LEN4/M | MBE6L4N4/U | VR2N6UPSH/M | MBP6U8SH/U |
| VR2F8USN2/M | MBS8U3N2/U | VR2H6LPN2/M | MBP6L4N2/U | VR2N7UEBH/M | MBE7U8BH/U |
| VR2F8USN4/M | MBS8U3N4/U | VR2H6LPN4/M | MBP6L4N4/U | VR2N7UPBH/M | MBP7U8BH/U |
| VR2F8USS2/M | MBS8U3S2/U | VR2H7LEF2/M | MBE7L4F2/U | VR2P6UESH/M | MBE6U6SH/U |
| VR2F8USS4/M | MBS8U3S4/U | VR2H7LEF4/M | MBE7L4F4/U | VR2P6UPSH/M | MBP6U6SH/U |
| VR2F8UTN2/M | MBS8U3N2/U | VR2H7LPP2/M | MBP7L4F2/U | VR2P7UEBH/M | MBE7U6BH/U |
| VR2F8UTN4/M | MBS8U3N4/U | VR2H7LPP4/M | MBP7L4F4/U | VR2P7UPBH/M | MBP7U6BH/U |
| VR2F8UTS2/M | MBS8U3S2/U | VR2J6LEN2/M | MBE6L5N2/U | VR2R6LPSH/M | MBP6LBSH/U |
| VR2F8UTS4/M | MBS8U3S4/U | VR2J6LEN4/M | MBE6L5N4/U | VR2R7LPBH/M | MBP7LBBH/U |
| VR2G6LPN2/M | MBP6L2N2/U | VR2J6LPN2/M | MBP6L5N2/U | VR2S6HPSH/M | MBP6HCSH/U |
| VR2G6LPN4/M | MBP6L4N4/U | VR2J6LPN4/M | MBP6L5N4/U | VR2S7HPBH/M | MBP7HCBH/U |
| VR2G7LPP2/M | MBP7L2F2/U | VR2J7LEF2/M | MBE7L5F2/U | VR2T6HPSH/M | MBP6HESH/U |
| VR2G7LPP4/M | MBP7L4F4/U | VR2J7LEF4/M | MBE7L5F4/U | VR2T7HPBH/M | MBP7HEBH/U |
| VR2G7LSB2/M | MBS7L3B2/U | VR2J7LPP2/M | MBP7L5F2/U | VR2U6HPSH/M | MBP6HESH/U |
| VR2G7LSB4/M | MBS7L3B4/U | VR2J7LPP4/M | MBP7L5F4/U | VR2U7HPBH/M | MBP7HEBH/U |
| VR2G7LSF2/M | MBS7L3F2/U | VR2K6LPN2/M | MBP6L5N2/U | VR2V6HPSH/M | MBP6HHSH/U |
| VR2G7LSF4/M | MBS7L3F4/U | VR2K6LPN4/M | MBP6L5N4/U | VR2V7HPBH/M | MBP7HHBH/U |
| VR2G7LTB2/M | MBS7L3B2/U | VR2K6UESH/M | MBE6U6SH/U | | |
| VR2G7LTB4/M | MBS7L3B4/U | VR2K7LPP2/M | MBP7L5F2/U | | |

Tableau 4. Actionneurs utilisés sur les ensembles à 3 voies

| Montage | Actionneur | Montage | Actionneur | Montage | Actionneur |
|-------------|------------|-------------|------------|-------------|------------|
| VR3F6LPN2/M | MBP6LAN2/U | VR4F6LPN2/M | MBP6LAN2/U | VR5F6LPN2/M | MBP6LAN2/U |
| VR3F7LPF2/M | MBP7L3F2/U | VR4F7LPF2/M | MBP7L3F2/U | VR5F7LPF2/M | MBP7L3F2/U |
| VR3F7LPF4/M | MBP7LRN4/U | VR4F7LPF4/M | MBP7LRN4/U | VR5F7LPF4/M | MBP7LRN4/U |
| VR3F7LSF2/M | MBS7L1F2/U | VR4F7LSF2/M | MBS7L1F2/U | VR5F7LSF2/M | MBS7L1F2/U |
| VR3F7LTF2/M | MBS7L1F2/U | VR4F7LTF2/M | MBS7L1F2/U | VR5F7LTF2/M | MBS7L1F2/U |
| VR3F8USN2/M | MBS8U1N2/U | VR4F8USN2/M | MBS8U1N2/U | VR5F8USN2/M | MBS8U1N2/U |
| VR3F8UTN2/M | MBS8U1N2/U | VR4F8UTN2/M | MBS8U1N2/U | VR5F8UTN2/M | MBS8U1N2/U |
| VR3G6LPN2/M | MBP6LRN2/U | VR4G6LPN2/M | MBP6LRN2/U | VR5G6LPN2/M | MBP6LRN2/U |
| VR3G6LPN4/M | MBP6LRN4/U | VR4G6LPN4/M | MBP6LRN4/U | VR5G6LPN4/M | MBP6LRN4/U |
| VR3G7LEF2/M | MBE7LRF2/U | VR4G7LEF2/M | MBE7LRF2/U | VR5G7LEF2/M | MBE7LRF2/U |
| VR3G7LPF2/M | MBP7LRF2/U | VR4G7LPF2/M | MBP7LRF2/U | VR5G7LPF2/M | MBP7LRF2/U |
| VR3G7LPF4/M | MBP7LRN4/U | VR4G7LPF4/M | MBP7LRN4/U | VR5G7LPF4/M | MBP7LRN4/U |
| VR3G8LEN2/M | MBE6LRN2/U | VR4G8LEN2/M | MBE6LRN2/U | VR5G8LEN2/M | MBE6LRN2/U |
| VR3H6LEN2/M | MBE6LRN2/U | VR4H6LEN2/M | MBE6LRN2/U | VR5H6LEN2/M | MBE6LRN2/U |
| VR3H6UPNH/M | MBP6U6SH/U | VR4H6UPNH/M | MBP6U6SH/U | VR5H6UPNH/M | MBP6U6SH/U |
| VR3H7LEF2/M | MBE7LRF2/U | VR4H7LEF2/M | MBE7LRF2/U | VR5H7LEF2/M | MBE7LRF2/U |
| VR3H7LPF2/M | MBP7LRF2/U | VR4H7LPF2/M | MBP7LRF2/U | VR5H7LPF2/M | MBP7LRF2/U |
| VR3H7LPF4/M | MBP7LRN4/U | VR4H7LPF4/M | MBP7LRN4/U | VR5H7LPF4/M | MBP7LRN4/U |
| VR3J6UESH/M | MBE6U6SH/U | VR4J6UESH/M | MBE6U6SH/U | VR5J6UESH/M | MBE6U6SH/U |
| VR3J6UPSH/M | MBP6U6SH/U | VR4J6UPSH/M | MBP6U6SH/U | VR5J6UPSH/M | MBP6U6SH/U |
| VR3J7UEBH/M | MBE7U6BH/U | VR4J7UEBH/M | MBE7U6BH/U | VR5J7UEBH/M | MBE7U6BH/U |
| VR3J7UPBH/M | MBP7U6BH/U | VR4J7UPBH/M | MBP7U6BH/U | VR5J7UPBH/M | MBP7U6BH/U |
| VR3K6UESH/M | MBE6U6SH/U | VR4K6UESH/M | MBE6U6SH/U | VR5K6UESH/M | MBE6U6SH/U |
| VR3K6UPSH/M | MBP6U6SH/U | VR4K6UPSH/M | MBP6U6SH/U | VR5K6UPSH/M | MBP6U6SH/U |
| VR3K7UEBH/M | MBE7U6BH/U | VR4K7UEBH/M | MBE7U6BH/U | VR5K7UEBH/M | MBE7U6BH/U |
| VR3K7UPBH/M | MBP7U6BH/U | VR4K7UPBH/M | MBP7U6BH/U | VR5K7UPBH/M | MBP7U6BH/U |
| VR3L6UESH/M | MBE6U6SH/U | VR4L6UESH/M | MBE6U6SH/U | VR5L6UESH/M | MBE6U6SH/U |
| VR3L6UPSH/M | MBP6U6SH/U | VR4L6UPSH/M | MBP6U6SH/U | VR5L6UPSH/M | MBP6U6SH/U |
| VR3L7UEBH/M | MBE7U6BH/U | VR4L7UEBH/M | MBE7U6BH/U | VR5L7UEBH/M | MBE7U6BH/U |
| VR3L7UPBH/M | MBP7U6BH/U | VR4L7UPBH/M | MBP7U6BH/U | VR5L7UPBH/M | MBP7U6BH/U |
| VR3M6UESH/M | MBE6U7SH/U | VR4M6UESH/M | MBE6U7SH/U | VR5M6UESH/M | MBE6U7SH/U |
| VR3M6UPSH/M | MBP6U7SH/U | VR4M6UPSH/M | MBP6U7SH/U | VR5M6UPSH/M | MBP6U7SH/U |
| VR3M7UEBH/M | MBE7U7BH/U | VR4M7UEBH/M | MBE7U7BH/U | VR5M7UEBH/M | MBE7U7BH/U |
| VR3M7UPBH/M | MBP7U7BH/U | VR4M7UPBH/M | MBP7U7BH/U | VR5M7UPBH/M | MBP7U7BH/U |
| VR3N6UESH/M | MBE6U8SH/U | VR4N6UESH/M | MBE6U8SH/U | VR5N6UESH/M | MBE6U8SH/U |
| VR3N6UPSH/M | MBP6U8SH/U | VR4N6UPSH/M | MBP6U8SH/U | VR5N6UPSH/M | MBP6U8SH/U |
| VR3N7UEBH/M | MBE7U8BH/U | VR4N7UEBH/M | MBE7U8BH/U | VR5N7UEBH/M | MBE7U8BH/U |
| VR3N7UPBH/M | MBP7U8BH/U | VR4N7UPBH/M | MBP7U8BH/U | VR5N7UPBH/M | MBP7U8BH/U |
| VR3P6UESH/M | MBE6U6SH/U | VR4P6UESH/M | MBE6U6SH/U | VR5P6UESH/M | MBE6U6SH/U |
| VR3P6UPSH/M | MBP6U6SH/U | VR4P6UPSH/M | MBP6U6SH/U | VR5P6UPSH/M | MBP6U6SH/U |
| VR3P7UEBH/M | MBE7U6BH/U | VR4P7UEBH/M | MBE7U6BH/U | VR5P7UEBH/M | MBE7U6BH/U |
| VR3P7UPBH/M | MBP7U6BH/U | VR4P7UPBH/M | MBP7U6BH/U | VR5P7UPBH/M | MBP7U6BH/U |
| VR3R6HPSH/M | MBP6HCSH/U | VR4R6HPSH/M | MBP6HCSH/U | VR5R6HPSH/M | MBP6HCSH/U |
| VR3R7HPBH/M | MBP7HCBH/U | VR4R7HPBH/M | MBP7HCBH/U | VR5R7HPBH/M | MBP7HCBH/U |
| VR3S6HPSH/M | MBP6HDSH/U | VR4S6HPSH/M | MBP6HDSH/U | VR5S6HPSH/M | MBP6HDSH/U |
| VR3T6HPSH/M | MBP7HDBH/U | VR4S7HPBH/M | MBP7HDBH/U | VR5S7HPBH/M | MBP7HDBH/U |
| VR3T6HPSH/M | MBP6HESH/U | VR4T6HPSH/M | MBP6HESH/U | VR5T6HPSH/M | MBP6HESH/U |
| VR3T7HPBH/M | MBP7HEBH/U | VR4T7HPBH/M | MBP7HEBH/U | VR5T7HPBH/M | MBP7HEBH/U |

Tableau 5. Spécification d'actionneur

| Modèle d'actionneur | Couple | Entrées de commande | À sécurité intrinsèque | Tension d'alimentation | Calibrage du transformateur | Température ambiante | Temporisation | Boîtier | Interrupteur auxiliaire | Schéma de câblage | | | |
|---------------------|-------------------|-----------------------|---|--|--|----------------------------|------------------|-------------------|-------------------------|-------------------|------------------|---------------------------------------|--|
| MBP6L2N2/U | 180 lb-po (20 Nm) | 2 positions; flottant | Maintien de position en cas de panne | 24 V c.a., ±20 %, 50/60 Hz; 24 V c.c., ±10 % | 5,5 VA (classe 2) | -30 à 50 °C (-22 à 122 °F) | 90 s | IP 54, NEMA 2 | | Fig. 35 | | | |
| MBP6LAN2/U | | Modulation | | | | | | | | Fig. 36 | | | |
| MBP7L2F2/U | | | | | | | | | | 6 VA (classe 2) | 150 s | Fig. 34 | |
| MBP7L3F2/U | | | | | | | | | | | | | |
| MBS8U1N2/U | 180 lb-po (20 Nm) | 2 positions | Système de sécurité à ressort (<20 s) | 24...240 V c.a., -20 %/+10 %, 50/60 Hz; 24...125 V c.c., ±10 % | 7 VA à 24 V c.a. (classe 2); 8,5 VA à 120 V c.a.; 18 VA à 240 V c.a. | -30 à 50 °C (-22 à 122 °F) | moins de 75 s | IP 54, NEMA 2 | 2 x SPDT* | Fig. 34 | | | |
| MBS8U3N2/U | | | | | | | | IP 54, NEMA 2 | | | | | |
| MBS8U3N4/U | | | | | | | | IP 66/67 NEMA 4X | | | | | |
| MBS8U3S2/U | | | | | | | | IP 54, NEMA 2 | | | | | |
| MBS8U3S4/U | | | | | | | | IP 66/67 NEMA 4X | | | | | |
| MBS7L1F2/U | | | | | | | | 180 lb-po (20 Nm) | | | Modulation | Système de sécurité à ressort (<20 s) | 24 V c.a., ±20 %, 50/60 Hz; 24 V c.c., -10 %/+20 % |
| MBS7L3F2/U | IP 54, NEMA 2 | | | | | | | | | | | | |
| MBS7L3F4/U | IP 66/67 NEMA 4X | | | | | | | | | | | | |
| MBS7L3B2/U | IP 54, NEMA 2 | | | | | | | | | | | | |
| MBS7L3B4/U | IP 66/67 NEMA 4X | | | | | | | | | | | | |
| MBS7L3B4/U | IP 66/67 NEMA 4X | | | | | | | | | | | | |
| MBP6L4N2/U | 360 lb-po (40 Nm) | 2 positions; flottant | Maintien de position en cas de panne | 24 V c.a., ±20 %, 50/60 Hz; 24 V c.c., ±10 % | 6 VA (classe 2) | -30 à 50 °C (-22 à 122 °F) | 150 s | IP 54, NEMA 2 | | Fig. 35 | | | |
| MBP6LRN2/U | | | | | | | | 7 VA (classe 2) | | | 35 s | IP 66/67 NEMA 4X | |
| MBP6L4N4/U | | | | | | | | | | | | 150 s | IP 54, NEMA 2 |
| MBP6LRN4/U | | | | | | | | | | | | | IP 66/67 NEMA 4X |
| MBP7L4F2/U | | 21 VA (classe 2) | | | 150 s | | IP 54, NEMA 2 | | | Fig. 37 | | | |
| MBP7LRF2/U | | | | | | | IP 66/67 NEMA 4X | | | | | | |
| MBP7L4F4/U | | | | | | | | IP 54, NEMA 2 | | | | | |
| MBP7LRN4/U | | | | | | | | | | | IP 66/67 NEMA 4X | | |
| MBE6L4N2/U | 360 lb-po (40 Nm) | 2 positions; flottant | Système de sécurité électronique (35 s) | 24 V c.a., ±20 %, 50/60 Hz; 24 V c.c., ±10 % | 21 VA (classe 2) | -30 à 50 °C (-22 à 122 °F) | | | 150 s | IP 54, NEMA 2 | | Fig. 38 | |
| MBE6LRN2/U | | | | | | | IP 66/67 NEMA 4X | | | | | | |
| MBE6L4N4/U | | | | | | | | IP 54, NEMA 2 | | | | | |
| MBE7L4F2/U | | | | | | | | | | IP 66/67 NEMA 4X | | | |
| MBE7LRF2/U | | | | | | | | | | | | | |
| MBE7L4F4/U | | | | | | | | | | | | | |

* 3 A résistive (0,5 A inductive) à 250 V c.a., un réglage à 10°, un réglage de 10 à 90°

** 3 A résistive (0,5 A inductive) à 250 V c.a., un réglage à 10°, un réglage à 85°

| | | | | | | | | | | | |
|------------|-------------------|-----------------------|---|--|------------------|----------------------------|-------|------------------|--|---------|------------------|
| MBP6L5N2/U | 800 lb-po (90 Nm) | 2 positions; flottant | Maintien de position en cas de panne | 24 V c.a., ±20 %, 50/60 Hz; 24 V c.c., ±10 % | 12 VA (classe 2) | -30 à 50 °C (-22 à 122 °F) | 35 s | NEMA 1 | | Fig. 35 | |
| MBP6L5N4/U | | Modulation | | | | | | IP 66/67 NEMA 4X | | | |
| MBP7L5F2/U | | | | | | | | 150 s | | | NEMA 1 |
| MBP7L5F4/U | | | | | | | | | | | IP 66/67 NEMA 4X |
| MBE6L5N2/U | 800 lb-po (90 Nm) | 2 positions; flottant | Système de sécurité électronique (35 s) | 24 V c.a., ±20 %, 50/60 Hz | 21 VA (classe 2) | -30 à 50 °C (-22 à 122 °F) | 150 s | NEMA 1 | | Fig. 37 | |
| MBE6L5N4/U | | | | | | | | Modulation | | | IP 66/67 NEMA 4X |
| MBE7L5F2/U | | 150 s | | | | | | | | NEMA 1 | |
| MBE7L5F4/U | | | | | | | | IP 66/67 NEMA 4X | | Fig. 38 | |

Tableau 5. Spécification d'actionneur

| Modèle d'actionneur | Couple | Entrées de commande | À sécurité intrinsèque | Tension d'alimentation | Calibrage du transformateur | Température ambiante | Temporisation | Boîtier | Interrupteur auxiliaire | Schéma de câblage | |
|---------------------|--------------------------|--------------------------|---|--|--|-------------------------------|---------------|---|-------------------------|-------------------|---------|
| MBP6U6SH/U | 1400 lb-po (160 Nm) | 2 positions; flottant | Maintien de position en cas de panne | 24...240 V c.a., -20%/+10 %, 50/60 Hz; 24...125 V c.c., -20%/+10 % | 20 VA à 24 V c.a./c.c. (classe 2); 23 VA à 120 V c.a./c.c.; 52 VA à 230 V c.a. | -30 à 50 °C (-22 à 122 °F) | 35 s | IP 66/67 NEMA 4X avec réchauffeur | 2 x SPDT* | Fig. 39 | |
| MBP6U7SH/U | | | | | | | | | | | |
| MBP6U8SH/U | | Modulation | | | | | | | | Fig. 40 | |
| MBP7U6BH/U | | | | | | | | | | | |
| MBP7U8BH/U | | | | | | | | | | | |
| MBE6U6SH/U | 1400 lb-po (160 Nm) | 2 positions; flottant | Système de sécurité électronique (30 s) | 24...240 V c.a., -20%/+10 %, 50/60 Hz; 24...125 V c.c., -20%/+10 % | 55 VA à 24 V c.a./c.c. (classe 2); 43 VA à 120 V c.a./c.c.; 68 VA à 230 V c.a. | -30 à 50 °C (-22 à 122 °F) | 35 s | IP 66/67 NEMA 4X avec réchauffeur | 2 x SPDT* | Fig. 39 | |
| MBE6U7SH/U | | | | | | | | | | | |
| MBE6U8SH/U | | Modulation | | | | | | | | Fig. 40 | |
| MBE7U6BH/U | | | | | | | | | | | |
| MBE7U8BH/U | | | | | | | | | | | |
| MBP6LBSH/U | 4425 lb-po (500 Nm) | 2 positions | Maintien de position en cas de panne | 24 V c.a., ±10 %, 50/60 Hz, 24 V c.c., ±10 % | 214 VA | -30 à 65 °C (-22 à 150 °F) | 26 s | IP 66/67 NEMA 4X avec réchauffeur | 2 x SPDT** | Fig. 42 | |
| MBP7LBBH/U | | Modulation | | | | | | | | Fig. 43 | |
| MBP6HCSH/U | 5755 lb-po (650 Nm) | 2 positions | Maintien de position en cas de panne | 120 V c.a., ±10 %, 50/60 Hz | 288 VA | -30 à 65 °C (-22 à 150 °F) | 34 s | IP 66/67 NEMA 4X avec réchauffeur | 2 x SPDT** | Fig. 44 | |
| MBP7HCBH/U | | Modulation | | | 240 VA | | | | | 38 s | Fig. 45 |
| MBP6HDSH/U | 8850 lb-po (1000 Nm) | 2 positions | | | 504 VA | | | | | 50 s | Fig. 44 |
| MBP7HDBH/U | | Modulation | | | 240 VA | | | | | 59 s | Fig. 45 |
| MBP6HESH/U | 13275 lb-po (1500 Nm) | 2 positions | | | 504 VA | | | | | 51 s | Fig. 44 |
| MBP7HEBH/U | | Modulation | | | 336 VA | | | | | 79 s | Fig. 45 |
| MBP6HSHH/U | 26550 lb-po (3000 Nm) | 2 positions | | | 432 VA | | | | | 62 s | Fig. 44 |
| MBP7HHBH/U | | Modulation | | | 516 VA | | | | | 71 s | Fig. 45 |

* 3 A résistive (0,5 A inductive) à 250 V c.a., un réglage à 10°, un réglage de 10 à 90°

** 3 A résistive (0,5 A inductive) à 250 V c.a., un réglage à 10°, un réglage à 85°

Tableau 6. Duty Cycle on High Torque Actuators

| Modèle d'actionneur | Couple | Entrées de commande | Duty Cycle |
|---------------------|-----------------------|---------------------|------------|
| MBP6LBH/U | 4425 lb-po [500 Nm] | 2 positions | 75% |
| MBP7LBBH/U | | Modulation | |
| MBP6HCSH/U | 5755 lb-po [650 Nm] | 2 positions | 30% |
| MBP7HCBH/U | | Modulation | 75% |
| MBP6HDSH/U | 8850 lb-po [1000 Nm] | 2 positions | 30% |
| MBP7HDBH/U | | Modulation | 75% |
| MBP6HESH/U | 13275 lb-po [1500 Nm] | 2 positions | 30% |
| MBP7HEBH/U | | Modulation | 75% |
| MBP6HSH/U | 26550 lb-po [3000 Nm] | 2 positions | 30% |
| MBP7HHBH/U | | Modulation | 50% |

Modèles de vanne à 3 voies

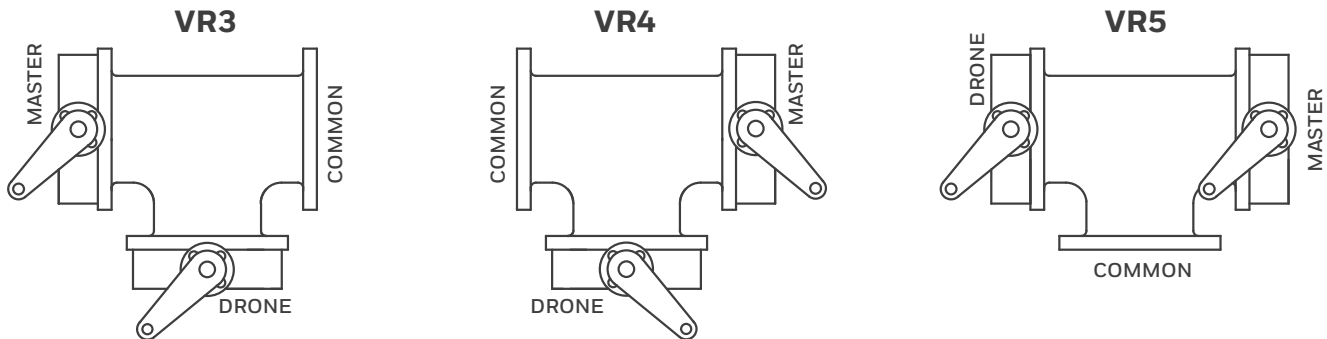


Fig. 20. Configurations de vanne à 3 voies

Données d'écoulement

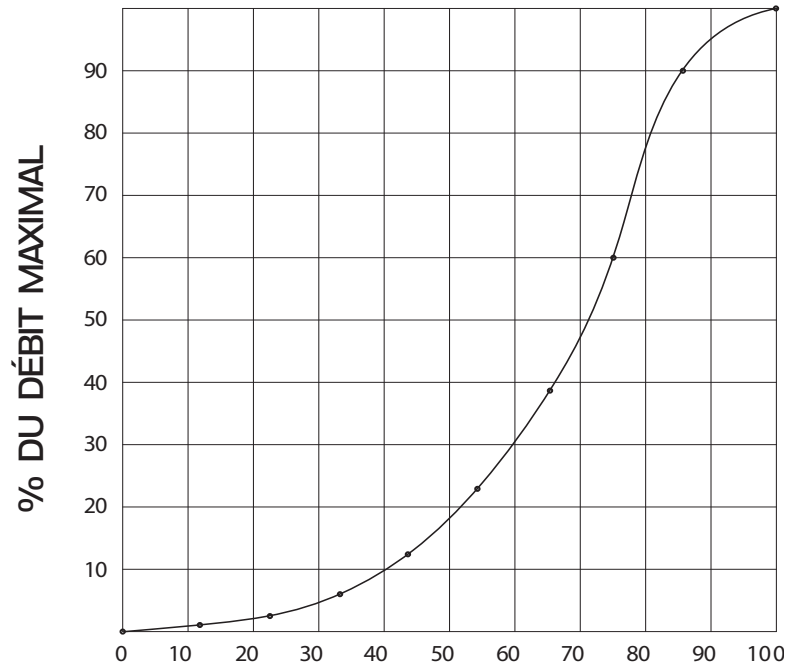


Fig. 21. Caractéristiques de débit type pour les vannes VR

Tableau 7. Cv de la vanne

| Diamètre de vanne | | Cv | | | | | | | | |
|-------------------|-----|------|------|------|------|------|-------|-------|-------|-------|
| po | DN | 10° | 20° | 30° | 40° | 50° | 60° | 70° | 80° | 90° |
| 2 | 50 | 0.06 | 3 | 7 | 15 | 27 | 44 | 70 | 105 | 115 |
| 2.5 | 65 | 0.1 | 6 | 12 | 25 | 45 | 75 | 119 | 178 | 196 |
| 3 | 80 | 0.2 | 9 | 18 | 39 | 70 | 116 | 183 | 275 | 302 |
| 4 | 100 | 0.3 | 17 | 36 | 78 | 139 | 230 | 364 | 546 | 600 |
| 5 | 125 | 0.5 | 29 | 61 | 133 | 237 | 392 | 620 | 930 | 1022 |
| 6 | 150 | 0.8 | 45 | 95 | 205 | 366 | 605 | 958 | 1437 | 1579 |
| 8 | 200 | 2 | 89 | 188 | 408 | 727 | 1202 | 1903 | 2854 | 3136 |
| 10 | 250 | 3 | 151 | 320 | 694 | 1237 | 2047 | 3240 | 4859 | 5340 |
| 12 | 300 | 4 | 234 | 495 | 1072 | 1911 | 3162 | 5005 | 7507 | 8250 |
| 14 | 350 | 6 | 338 | 715 | 1549 | 2761 | 4568 | 7230 | 10844 | 11917 |
| 16 | 400 | 8 | 464 | 983 | 2130 | 3797 | 6282 | 9942 | 14913 | 16388 |
| 18 | 450 | 11 | 615 | 1302 | 2822 | 5028 | 8320 | 13168 | 19752 | 21705 |
| 20 | 500 | 14 | 791 | 1674 | 3628 | 6465 | 10698 | 16931 | 25396 | 27908 |
| 24 | 600 | 22 | 1222 | 2587 | 5605 | 9989 | 16528 | 26157 | 39236 | 43116 |

Tableau 8. Débit

| Diamètre de vanne | | Débit en gal/min | | | | | |
|-------------------|-----|------------------|--------|--------|--------|---------|---------|
| po | DN | 2 pi/s | 4 pi/s | 6 pi/s | 8 pi/s | 10 pi/s | 12 pi/s |
| 2 | 50 | 19 | 39 | 59 | 78 | 98 | 117 |
| 2.5 | 65 | 30 | 61 | 92 | 122 | 153 | 184 |
| 3 | 80 | 44 | 88 | 132 | 176 | 220 | 264 |
| 4 | 100 | 78 | 157 | 235 | 313 | 392 | 470 |
| 5 | 125 | 122 | 245 | 367 | 490 | 612 | 734 |
| 6 | 150 | 176 | 352 | 529 | 705 | 881 | 1058 |
| 8 | 200 | 313 | 627 | 940 | 1253 | 1567 | 1880 |
| 10 | 250 | 490 | 979 | 1469 | 1958 | 2448 | 2738 |
| 12 | 300 | 705 | 1410 | 2115 | 2820 | 3525 | 4230 |
| 14 | 350 | 959 | 1919 | 2879 | 3838 | 4798 | 5758 |
| 16 | 400 | 1253 | 2507 | 3760 | 5013 | 6267 | 7520 |
| 18 | 450 | 1586 | 3173 | 4759 | 6345 | 7931 | 9518 |
| 20 | 500 | 1958 | 3917 | 5875 | 7834 | 9792 | 11750 |
| 24 | 600 | 2820 | 5640 | 8460 | 11280 | 14100 | 16921 |

INSTALLATION

Entreposage des ensembles de vanne papillon

- Les ensembles doivent être entreposés à l'intérieur et protégés des intempéries.
- Des dispositions doivent être prises pour protéger les matériaux reçus sur le chantier et dont le délai d'installation est long contre les dommages de la construction.
- Les sièges résistants doivent être protégés contre l'abrasion, les égratignures et les rayures puisque les garnitures seraient ainsi endommagées et pourraient causer des fuites dans la région de la bride.
- On ne peut pas entreposer des actionneurs électriques dans des endroits mouillés, humides ou corrosifs.
- N'entrez pas de matériaux de construction sur les ensembles.

Pratiques d'installation

- Les vannes papillon de série VR sont conçues pour être installées entre des brides à collerette soudées ou à emmancher, à face plate ou surélevée ANSI 125/150.
- La vanne doit être installée à un minimum de 10 diamètres de tuyau de coudes, de crépines, de pompes, etc., en amont ou en aval.
- Pour l'eau refroidie, l'eau de condensateur ou l'eau chaude, la vanne doit être installée avec la tige en position verticale, l'actionneur étant monté au-dessus de la vanne.
- Lorsqu'il y a possibilité de sédimentation dans le débit de liquide, posez la vanne avec la tige en position horizontale. Le bas du disque doit fermer DEPUIS le côté en aval plutôt que du côté en amont.

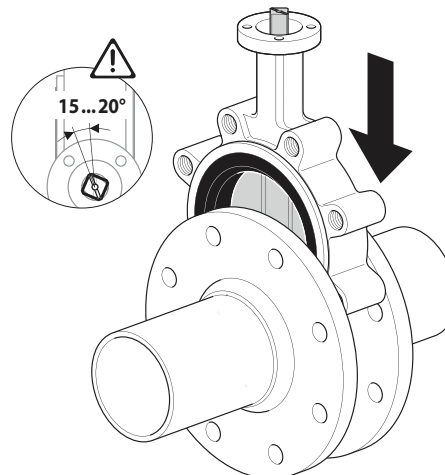


Fig. 22.

- Assurez-vous que les faces de la bride sont propres et exemptes de rouille, de calcaire et de débris pour ne pas endommager la garniture.
- N'utilisez PAS de joints de bride sur les vannes papillon de série VR. (Fig. 23)
- Suivez la séquence de boulonnage de bride recommandée. (Fig. 32)

Installation avec des brides soudées

- Posez les brides des deux côtés du corps de vanne, puis posez les boulons pour aligner correctement le corps de vanne sur les deux brides.
- Posez la vanne alors que le disque est à la position « presque fermée » (Fig. 22)
- N'utilisez pas des joints de bride (Fig. 23)
- Assurez-vous que les diamètres intérieurs de la garniture de vanne et des brides sont alignés. (Fig. 24)
- Prenez l'ensemble corps de vanne et bride, puis alignez-le sur les extrémités des tuyaux.

- Soudez par points en plusieurs endroits les brides sur les tuyaux. (Fig. 25) **Ne soudez PAS par joints à ce stade!**
- Retirez les boulons d'oreilles, puis séparez avec soin le corps de vanne des brides.
- Effectuez la soudure par joints du raccordement entre chaque bride et son tuyau. (Fig. 26)
- Laissez complètement refroidir les composants de tuyauterie avant de réinsérer le corps de vanne. (Fig. 27)

AVERTISSEMENT Le soudage par joints alors que le corps de vanne est installé entre les brides peut endommager la garniture en raison de la transmission de chaleur de la bride au corps de vanne.

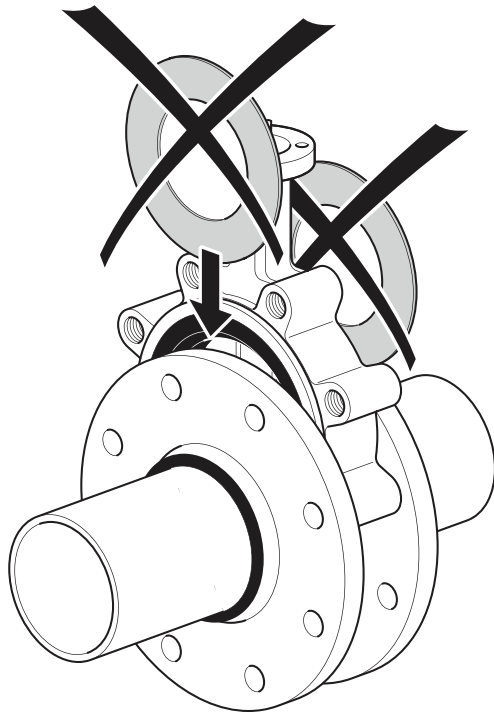


Fig. 23.

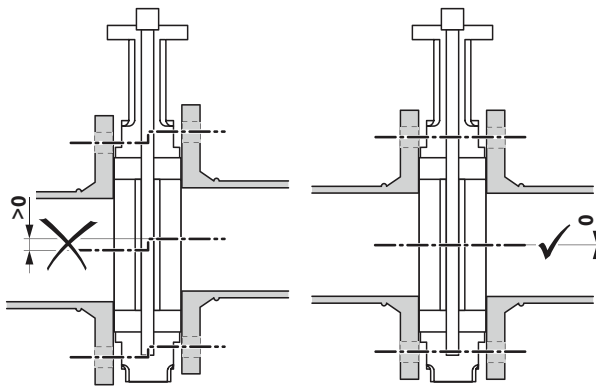


Fig. 24.

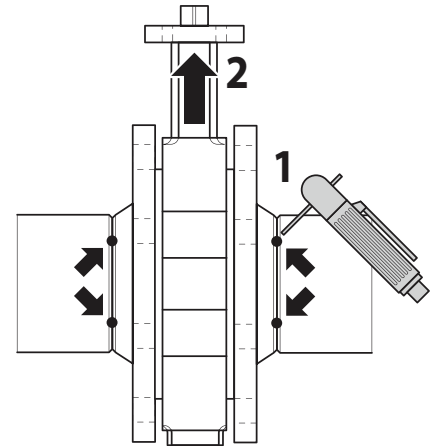


Fig. 25.

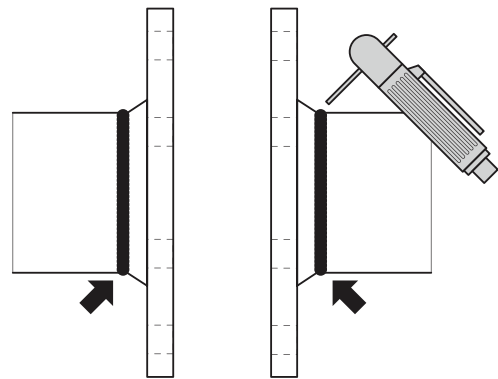


Fig. 26.

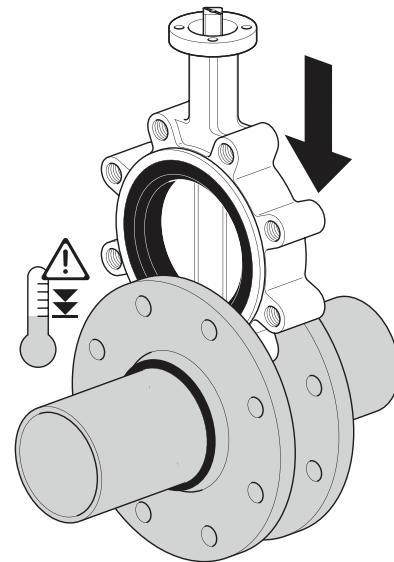


Fig. 27.

Tableau 9. Spécifications relatives aux brides et au boulonnage

| Diamètre nominal du tuyau (po) | Brides | | Forage | | Boulonnage | | | |
|--------------------------------|--------------------------|---------------------------|---|--------------------------------------|------------|-------------------|---------------------------|-----------------------------------|
| | Diamètre de bride A (po) | Épaisseur de bride B (po) | Diamètre C du cercle de boulonnage (po) | Diamètre D des trous de boulons (po) | Filetage | Nombre de boulons | Longueur des boulons (po) | Couple de serrage maximal (lb-pi) |
| 2 | 6 | 0,75 | 4,75 | 0,75 | 5/8 - 11 | 4 | 1,25 | 70 |
| 2,5 | 7 | 0,875 | 5,5 | 0,75 | 5/8 - 11 | 4 | 1,5 | 70 |
| 3 | 7,5 | 0,9375 | 6 | 0,75 | 5/8 - 11 | 4 | 1,5 | 70 |
| 4 | 9 | 0,9375 | 7,5 | 0,75 | 5/8 - 11 | 8 | 1,75 | 70 |
| 5 | 10 | 0,9375 | 8,5 | 0,875 | 3/4 - 10 | 8 | 1,75 | 120 |
| 6 | 11 | 1 | 9,5 | 0,875 | 3/4 - 10 | 8 | 2 | 120 |
| 8 | 13,5 | 1,125 | 11,75 | 0,875 | 3/4 - 10 | 8 | 2,25 | 120 |
| 10 | 16 | 1,1875 | 14,75 | 1 | 7/8 - 9 | 12 | 2,25 | 200 |
| 12 | 19 | 1,25 | 17 | 1 | 7/8 - 9 | 12 | 2,5 | 200 |
| 14 | 21 | 1,375 | 18,75 | 1,125 | 1 - 8 | 12 | 2,75 | 240 |
| 16 | 23,5 | 1,4375 | 21,25 | 1,125 | 1 - 8 | 16 | 2,75 | 240 |
| 18 | 25 | 1,625 | 22,75 | 1,25 | 1 1/8 - 7 | 16 | 3,5 | 380 |
| 20 | 27,5 | 1,6875 | 25 | 1,25 | 1 1/8 - 7 | 20 | 4,25 | 380 |
| 24 | 32 | 1,875 | 29,5 | 1,375 | 1 1/8 - 7 | 20 | 4,75 | 520 |

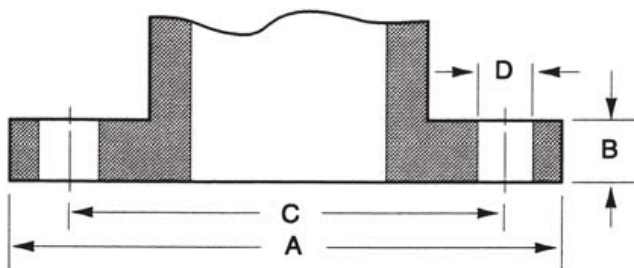


Fig. 28.

Procédure d'avant installation

1. Retirez tout couvercle de protection de bride de la vanne.
2. Vérifiez la vanne pour vous assurer que la voie d'eau est exempte de poussière ou de corps étrangers. Assurez-vous que la conduite adjacente est exempte de tout corps étranger tels que la rouille, le calcaire ou le laitier qui risquent d'endommager le siège et les surfaces d'étanchéité du disque.
3. Vous devez poser les actionneurs sur la vanne avant l'installation afin de faciliter l'alignement du disque dans le siège de vanne.
4. Vérifiez l'étiquette d'identification de la vanne pour vous assurer que les matériaux et la pression de fonctionnement de la vanne sont conformes à l'usage prévu.
AVERTISSEMENT Des blessures corporelles ou des dommages matériels pourraient survenir si la vanne est installée lorsque les conditions de service pourraient dépasser les spécifications de la vanne.

5. Vérifiez les boulons ou goujons de la bride pour confirmer leur taille, leur filetage et leur longueur.
6. Ces vannes sont conçues pour être installées entre des brides ASME/ANSI de classe 125/150.
7. Suivez avec soin les directives d'installation à l'aide de brides soudées à la page 82 du présent document.
8. Respectez les normes d'alignement de bride ASME : SECTION 335.1.1 ALIGNEMENT
 - a. DÉFORMATIONS DE LA TUYAUTERIE : Toute déformation de la tuyauterie visant à aligner le raccordement et qui cause un stress excessif sur l'équipement ou la tuyauterie est interdite.
 - b. JOINTS DE BRIDE : Avant d'effectuer le boulonnage, les faces des brides doivent être alignées au plan de conception à moins de 1/16 po par pied mesuré sur tout diamètre; le décalage d'alignement des boulons doit être d'au plus 1/8 po.
9. Lorsqu'on les observe durant le montage, les faces des brides doivent être parallèles à moins d'un degré, et la force nécessaire à l'alignement des tuyaux ne doit pas dépasser 10 lb-pi par pouce de boulon NF; de plus, les écrous doivent être insérés à fond.

Procédure d'installation de vanne

Alignez les brides de tuyau pour assurer un alignement correct avant l'installation de la vanne. Écartez les brides suffisamment l'une de l'autre pour permettre l'installation du corps de vanne entre les brides sans toucher aux surfaces de bride. Faites très attention lorsque vous manipulez la vanne pour ne pas endommager le disque ou les surfaces du siège.

REMARQUE : Peu importe le type d'actionneur, il doit être monté au moins dans l'axe de la conduite.
(Fig. 30)

1. Les vannes papillon de série VR sont conçues pour être installées entre des brides à collerette soudées ou à emmancher, à face plate ou surélevée ANSI 125/150.
2. N'utilisez PAS de joints de bride sur les vannes papillon de série VR.
3. Pour les vannes à oreilles :
 - a. Placez la vanne entre les brides.
 - b. Posez tous les boulons entre la vanne et les brides d'accouplement. Serrez les boulons à la main. (Fig. 31)
4. Avant d'effectuer le serrage des boulons, centrez la vanne entre les brides, puis vérifiez les positions d'ouverture et de fermeture complète pour assurer le libre mouvement du disque.
5. À l'aide de la séquence indiquée (Fig. 32), serrez les boulons de bride uniformément pour assurer une compression uniforme du joint d'étanchéité. Lors du montage des joints de bride, la surface du siège résistant doit être uniformément comprimée (Fig. 29).
6. Si un actionneur doit être utilisé, le raccordement électrique de l'unité doit s'effectuer conformément aux codes de l'électricité en vigueur.
7. Ouvrez, puis fermez complètement la vanne en vérifiant la fin de course de l'actionneur et l'alignement du disque. Faites fonctionner la vanne pour vous assurer qu'elle ne grippe pas. Si l'alimentation n'est pas raccordée, utilisez le volant de manœuvre.
8. La vanne est maintenant prête à fonctionner.

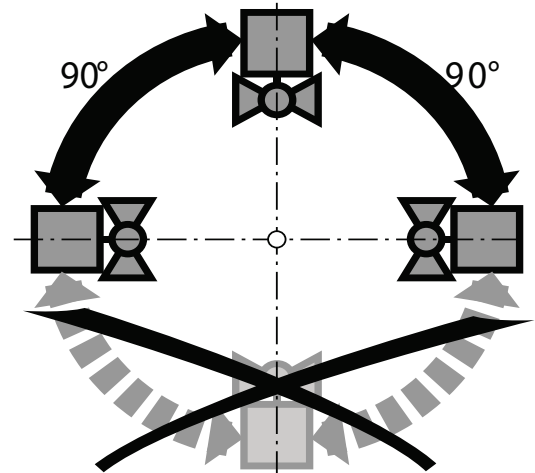


Fig. 30.

Remarques sur l'installation

1. Suivez les procédures d'avant l'installation et d'installation décrites ci-dessus.
2. Pour obtenir la pleine pression de fermeture d'une vanne de série VR, une bride est requise du côté ouvert ou en aval de la vanne (Fig. 33).

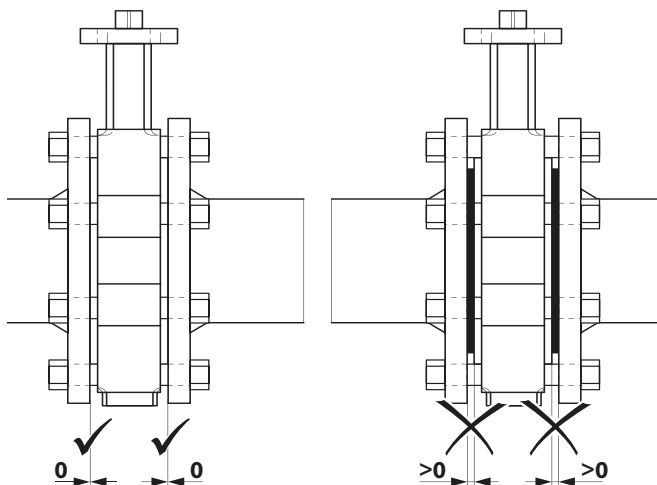


Fig. 29.

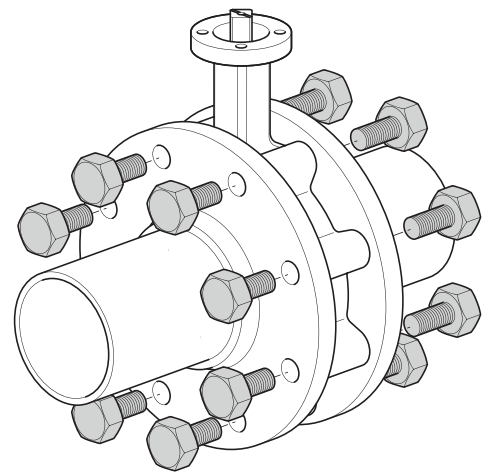


Fig. 31.

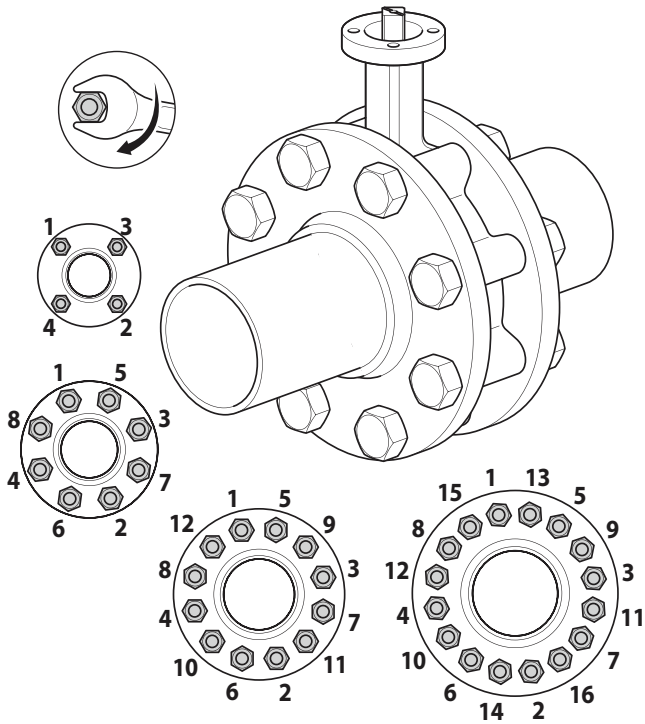


Fig. 32.

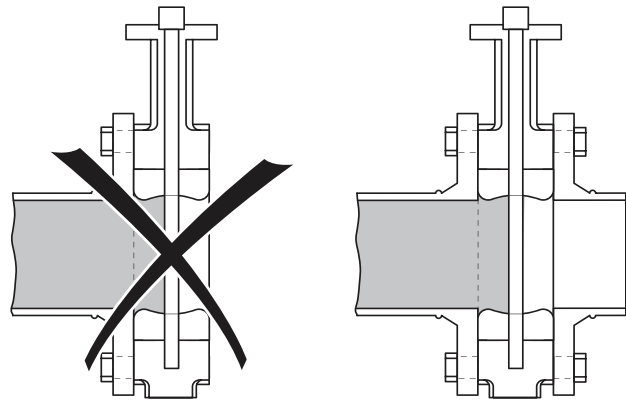
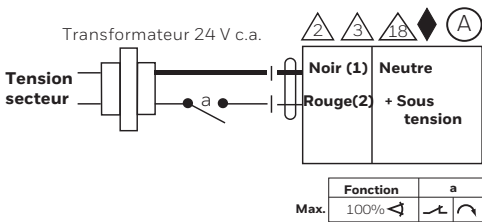


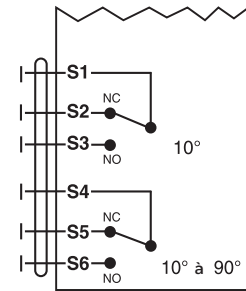
Fig. 33.



Marche/arrêt

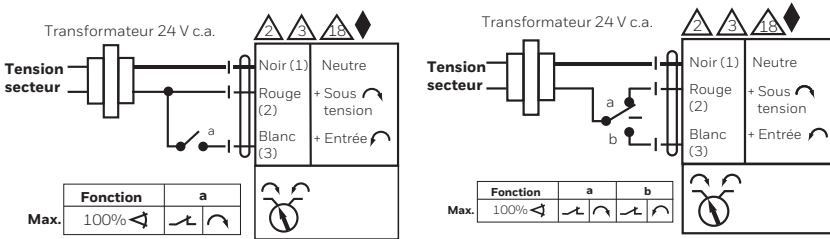
Remarques :

- ◆ Répond aux exigences cULus sans raccordement de mise à la terre.
- Ⓐ Les actionneurs avec les câbles de l'appareil sont numérotés.
- Ⓐ Les actionneurs peuvent être raccordés en parallèle. La consommation électrique et l'impédance d'entrée doivent être respectées.
- Ⓐ Les actionneurs peuvent également être alimentés à 24 V c.c.
- Ⓐ Les actionneurs dotés de câbles pour plénum n'ont pas de numéros sur les fils; utilisez le code-couleurs.



Interrupteurs auxiliaires

Fig. 34. Câblage des actionneurs MBS8 (tous les modèles n'ont pas un interrupteur)



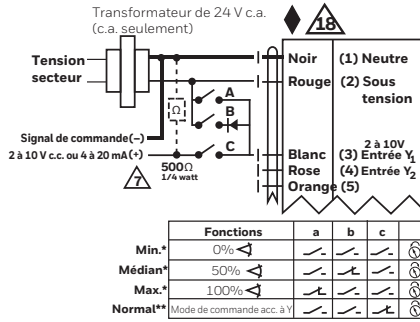
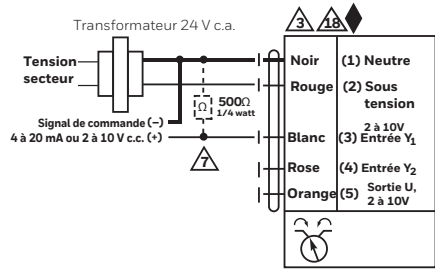
Marche/arrêt

Point flottant

Remarques :

- ◆ Répond aux exigences cULus sans raccordement de mise à la terre.
- Ⓐ Les actionneurs peuvent être raccordés en parallèle. La consommation électrique et l'impédance d'entrée doivent être respectées.
- Ⓐ Les actionneurs peuvent également être alimentés à 24 V c.c.
- Ⓐ Les actionneurs dotés de câbles pour plénum n'ont pas de numéros sur les fils; utilisez le code-couleurs.

Fig. 35. Câblage pour actionneurs MBP6...2, 4, 5, A, R



| Fonctions | a | b | c |
|-----------|---------------------------|---|---|
| Min.* | 0% ← | — | — |
| Médian* | 50% ← | — | — |
| Max.* | 100% ← | — | — |
| Normal** | Mode de commande acc. à Y | — | — |

* Sélectionnable par défaut 0-100 %. Voir la fiche technique de configuration.
 ** Personnalisable. Voir la fiche technique de configuration.

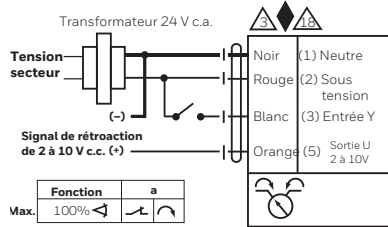
Remarques :

- ◆ Répond aux exigences cULus sans raccordement de mise à la terre.
- ⚠ Les actionneurs peuvent également être alimentés à 24 V c.c.
- ⚠ Une résistance de 500 Ω transforme le signal de commande de 4 à 20 mA en tension de 2 à 10 V c.c.
- ⚠ Les actionneurs dotés de câbles pour plénum n'ont pas de numéros sur les fils; utilisez le code-couleurs.

V c.c./4 à 20 mA

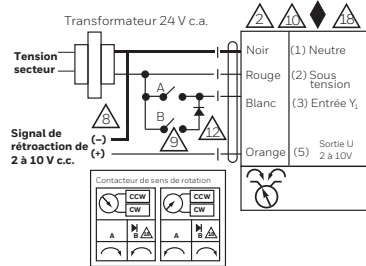
Positions Min., Médian et Max. de commande d'annulation

Fig. 36. Câblage pour actionneurs MBS7...1, 3 et MBP7...2, 3, 4, 5, R (certains modèles n'ont pas d'interrupteur)

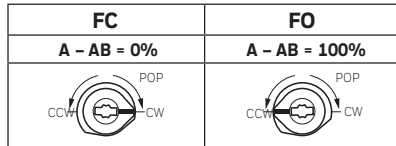


| Fonction | a |
|-------------|---|
| Max. 100% ← | — |

Marche/arrêt



Point flottant



Marche/arrêt
24 V c.a./c.c.

| | | FC | FO |
|----------------|----------------|-------------|---------------|
| | | A - AB = 0% | A - AB = 100% |
| 3 a (Y1) | 4 b (Y2) | | |
| | | | |
| | | | |
| | | | |
| | | | |

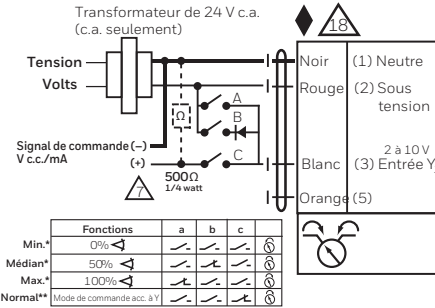
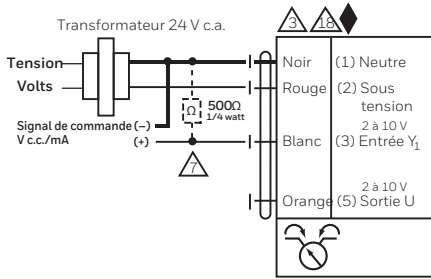
Point flottant
24 V c.a./c.c.

Fig. 37. Câblage pour actionneurs MBE6...4, 5, R

Remarques :

- ◆ Répond aux exigences cULus sans raccordement de mise à la terre.
- ⚠ Les actionneurs peuvent être raccordés en parallèle. La consommation électrique et l'impédance d'entrée doivent être respectées.
- ⚠ Les actionneurs peuvent également être alimentés à 24 V c.c.
- ⚠ Le signal de commande peut être pulsé par le fil sous tension (source) ou le fil neutre (collecteur) d'un circuit 24 V c.a.
- ⚠ Les fermetures de contact A et B peuvent également être à triac. Les contacteurs A et B doivent être fermés pour la source à triac et ouverts pour le collecteur à triac.
- ⚠ Pour un collecteur à triac, le fil neutre de l'actionneur doit être raccordé au fil sous tension du régulateur. La rétroaction de position ne peut pas être utilisée avec un régulateur à collecteur à triac. La référence neutre interne de l'actionneur n'est pas compatible.
- ⚠ Diode IN4004 ou IN4007. (IN4007 fournie)
- ⚠ Les actionneurs dotés de câbles pour plénum n'ont pas de numéros sur les fils; utilisez le code-couleurs.

VANNES PAPILLON À SIÈGE RÉSISTANT VR2, VR3, VR4 VR5 À RACCORDS À OREILLES



| Fonctions | a | b | c |
|-----------|---|---|---|
| Min.* | ↔ | ↔ | ↔ |
| Médian* | ↔ | ↔ | ↔ |
| Max.* | ↔ | ↔ | ↔ |
| Normal** | ↔ | ↔ | ↔ |

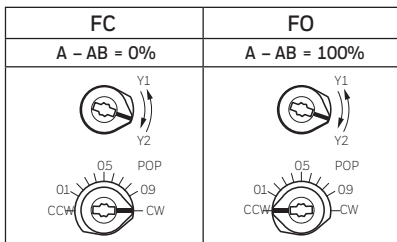
* Sélectionnable par défaut 0-100%. Voir la fiche technique de configuration.
 ** Personnalisable. Voir la fiche technique de configuration.

Remarques :

- ◆ Répond aux exigences cULus sans raccordement de mise à la terre
- ⚠ Les actionneurs peuvent également être alimentés à 24 V c.c.
- ⚠ Une résistance de 500 Ω transforme le signal de commande de 4 à 20 mA en tension de 2 à 10 V c.c.
- ⚠ Pour un collecteur à triac, le fil neutre de l'actionneur doit être raccordé au fil sous tension du régulateur. La rétroaction de position ne peut pas être utilisée avec un régulateur à collecteur à triac. La référence neutre interne de l'actionneur n'est pas compatible.
- ⚠ Les actionneurs dotés de câbles pour plénum n'ont pas de numéros sur les fils; utilisez le code-couleurs.

V c.c./4 à 20 mA

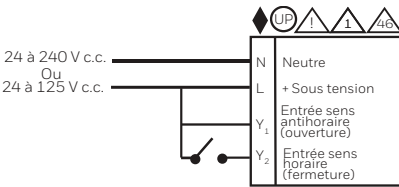
Positions Min., Médian et Max. de commande d'annulation



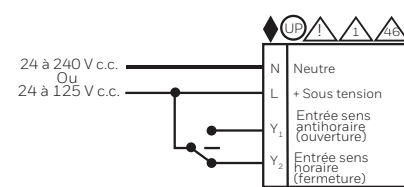
Modulation

24 V c.a./c.c.

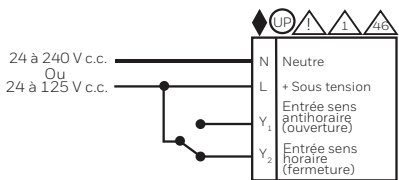
Fig. 38. Câblage pour actionneurs MBE7...4, 5, R



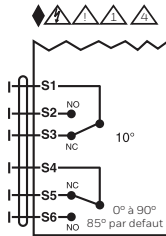
Marche/arrêt



Point flottant



Marche/arrêt



Contacteurs de fin de course

Remarques :

- ◆ Répond aux exigences cULus sans raccordement de mise à la terre.
- ⚠ Prévoyez des mécanismes de coupure et de protection contre les surcharges, au besoin.
- ⚠ Deux interrupteurs auxiliaires intégrés (2 x SPDT) pour l'indication de position de fin de course, la commande e verrouillage, la mise en fonction du ventilateur, etc.
- ⚠ Les actionneurs peuvent être commandés en parallèle. L'appel de courant et l'impédance d'entrée doivent être respectés
- Ⓢ Les modèles à alimentation électrique tous courants peuvent être alimentés de 24 V c.a. à 240 V c.a. ou de 24 V c.c. à 125 V c.c.
- ⚠ Durant l'installation, la mise à l'essai, l'entretien et le dépannage de ce produit, il peut être nécessaire de travailler avec les composants électriques sous tension. Faites exécuter ces tâches par un électricien qualifié ou par une personne correctement formée dans la manipulation de composants électriques sous tension. Le non-respect des mesures de sécurité pour le travail avec l'électricité pourrait entraîner des blessures graves, voire mortelles.

Fig. 39. Câblage pour actionneurs MBP, E6...6, 7, 8

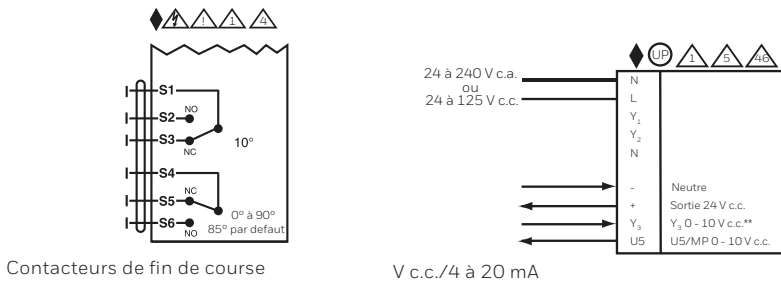
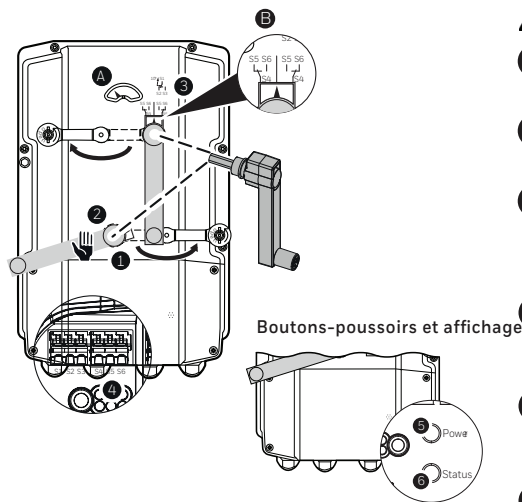


Fig. 40. Câblage pour actionneurs MBP, E7...6, 7, 8



⚠ Couper l'alimentation

1 Dégagement de l'engrenage

Ouvrez le couvercle de contournement manuel et y insérer la manivelle à main. Le contournement manuel est possible.

2 Contournement manuel

Tournez la manivelle jusqu'à ce que A indique la position de commutation souhaitée, puis retirez la manivelle.

3 Interrupteur auxiliaire

Ouvrez le couvercle de réglage de l'interrupteur auxiliaire et placez correctement la manivelle à main dans l'actionneur.

B Tournez la manivelle jusqu'à ce que la flèche pointe vers la ligne verticale.

4 Bornes

Branchez le vérificateur de continuité S4 + S5 ou S4 + S6. Si l'interrupteur auxiliaire doit commuter en sens inverse, tournez la manivelle de 180°

5 Affichage DEL vert

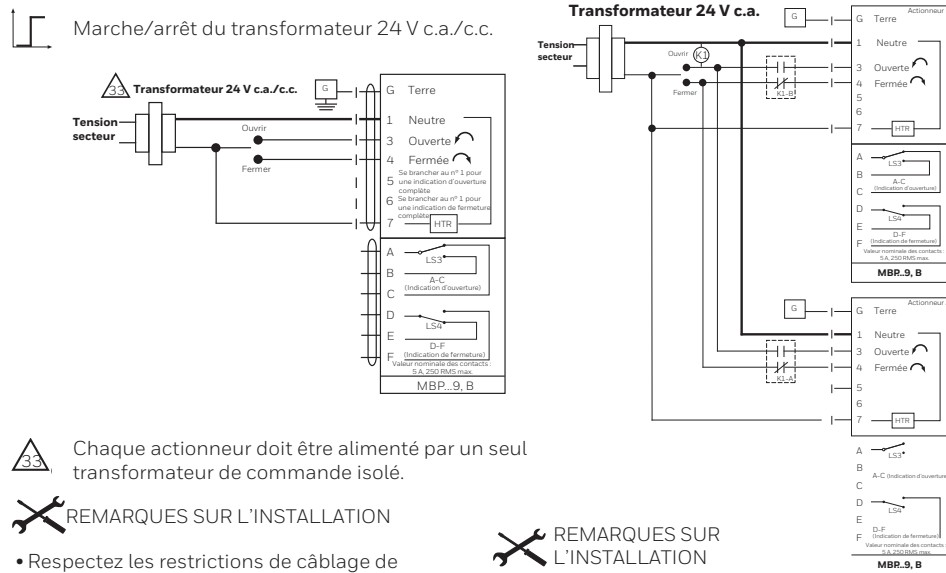
Affichage DEL jaune fermé : Aucune alimentation ni anomalie, Marche : En fonction Appuyez sur le bouton : Déclenche l'essai suivi du mode standard

6 Affichage DEL jaune

Off (arrêt) : Mode standard, Marche : Mode d'essai actif.

Fig. 41. Réglage de l'interrupteur d'actionneur MBP, E...6, 7, 8

VANNES PAPILLON À SIÈGE RÉSISTANT VR2, VR3, VR4 VR5 À RACCORDS À OREILLES



33 Chaque actionneur doit être alimenté par un seul transformateur de commande isolé.

REMARQUES SUR L'INSTALLATION

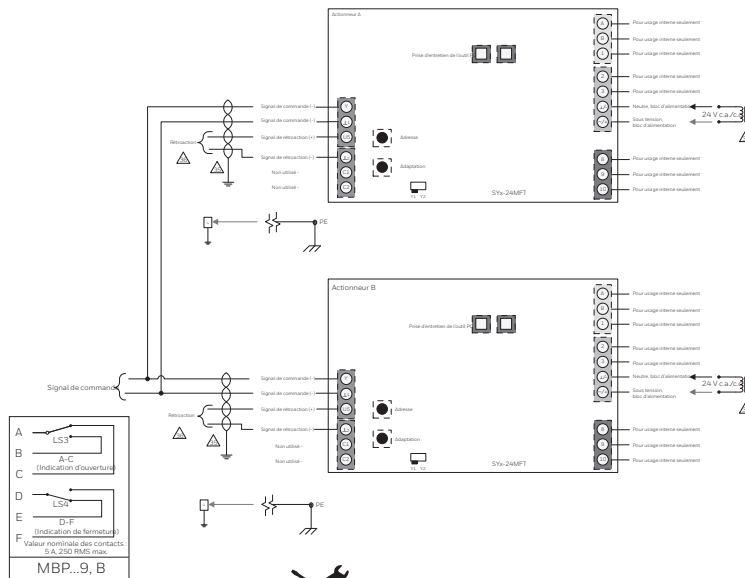
- Respectez les restrictions de câblage de classe 1 et de classe 2.
- Calibrage du transformateur = appel de courant de l'actionneur MBP x 1,25 (marge de sécurité)

REMARQUES SUR L'INSTALLATION

- Les relais d'isolation doivent être raccordés en parallèle de plusieurs actionneurs utilisant une entrée de signal de commande commune.
- « H » (L2) ne peut pas être raccordé simultanément à la borne 3 et la borne 4.
- Requis : La borne 7 doit être câblée sur place pour activer le circuit de chauffage.

Fig. 42. Câblage pour actionneurs MBP6...9, B

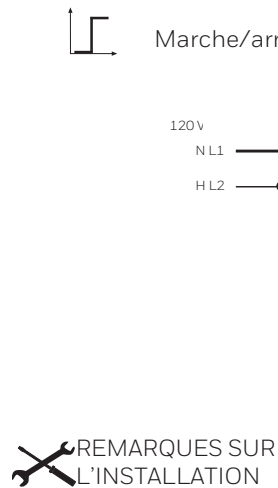
33 Régulation proportionnelle, plusieurs câbles, 24 V MBP...9 B



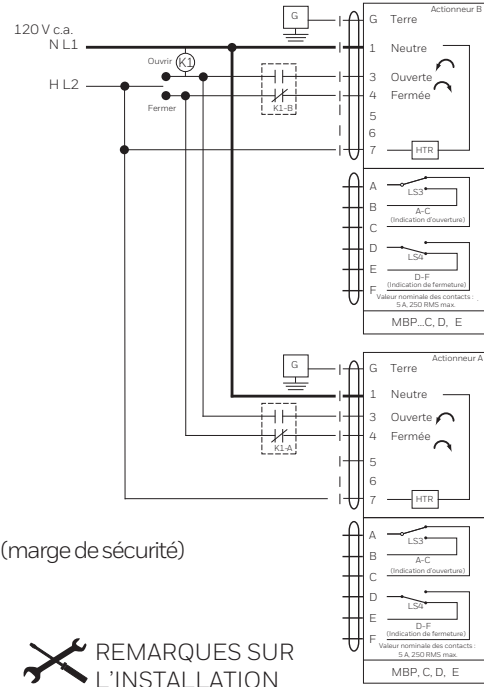
REMARQUES SUR L'INSTALLATION

- 33
- Respectez les restrictions de câblage de classe 1 et de classe 2.
 - Calibrage du transformateur = appel de courant de l'actionneur MBP x 1,25 (marge de sécurité)

Fig. 43. Câblage pour actionneurs MBP7...9, B




- Respectez les restrictions de câblage de classe 1 et de classe 2.
- Calibrage du transformateur = appel de courant de l'actionneur MBP x 1,25 (marge de sécurité)

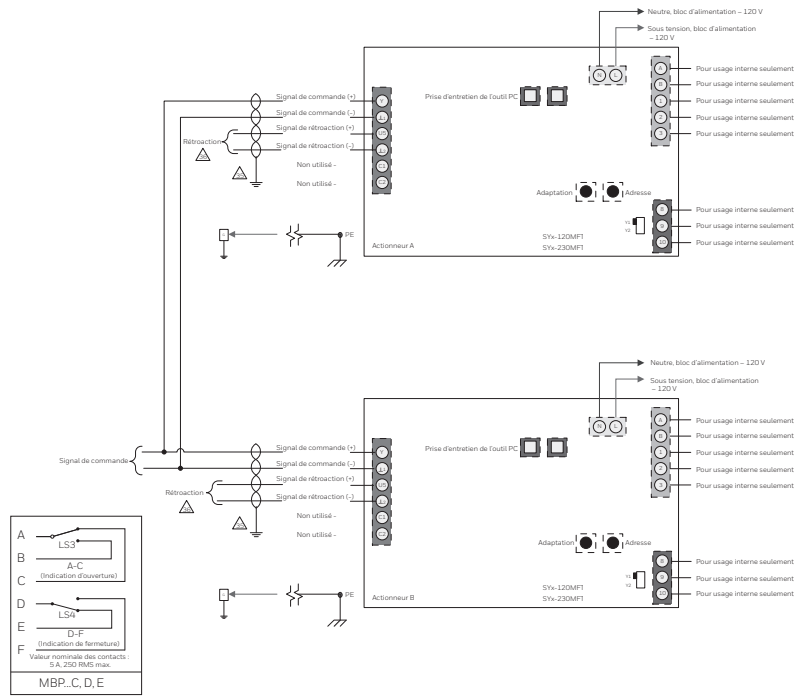



- Les relais d'isolation doivent être raccordés en parallèle de plusieurs actionneurs utilisant une entrée de signal de commande commune.
- « H » (L2) ne peut pas être raccordé simultanément à la borne 3 et la borne 4.
- Requis : La borne 7 doit être câblée sur place pour activer le circuit de chauffage.

Fig. 44. Câblage pour actionneurs MBP...C, D, E, F, G, H

VANNES PAPILLON À SIÈGE RÉSISTANT VR2, VR3, VR4 VR5 À RACCORDS À OREILLES

 Régulation proportionnelle, plusieurs câbles,
 1 20 V MBP... C, D, E



 Chaque actionneur doit être alimenté par un seul transformateur de commande isolé.

REMARQUES SUR L'INSTALLATION

- Respectez les restrictions de câblage de classe 1 et de classe 2.
- Calibrage du transformateur = appel de courant de l'actionneur MBP x 1,25 (marge de sécurité)

Fig. 45. Câblage pour actionneurs MBP7...C, D, E, F, G, H

Honeywell Building Technologies

Aux États-Unis :

Honeywell

Honeywell

® Marque de commerce déposée aux États-Unis
 © 2019 Honeywell International Inc.
 31-00190EF-02 M.S. 07-19
 Imprimé aux États-Unis