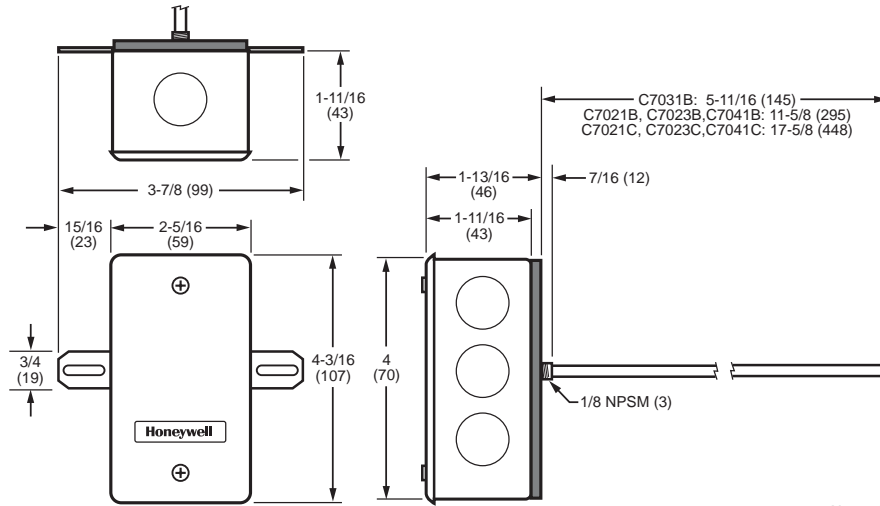


Temperature Sensors

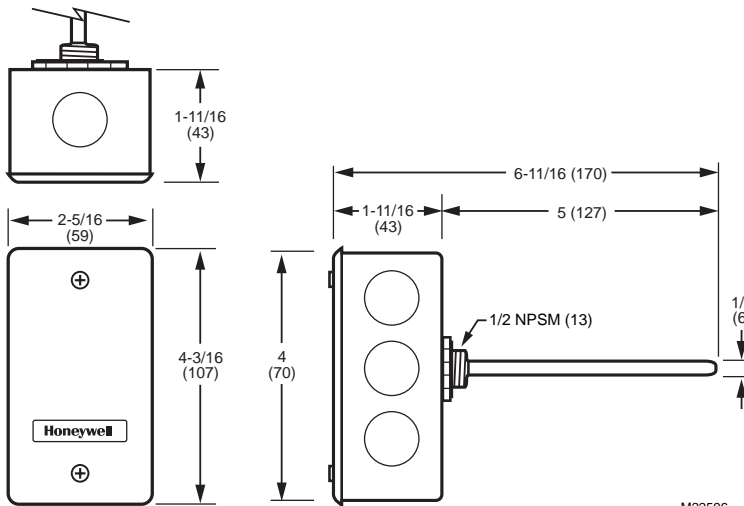
Diagrams for C7031, C7032, C7041 and T775 Series 2000 Sensor

C7021B/C, C7023B/C, C7041B/C Dimensions



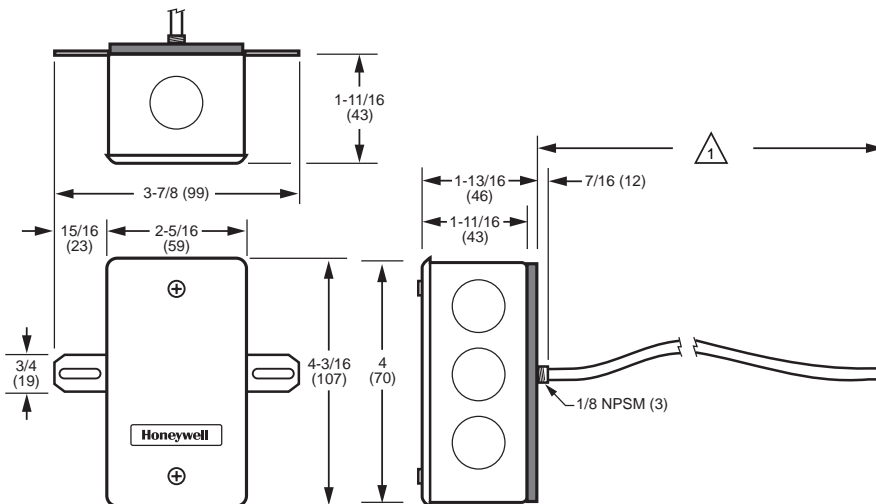
M22131A

C7021D, C7023D, C7031D, C7041D Dimensions in inches (millimeters)



M22596

C7021R, C7023R, C7041R Dimensions

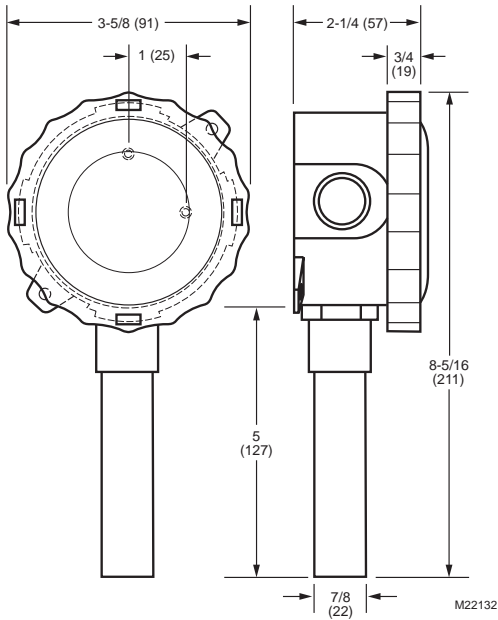


△ 1 DEPENDING ON THE MODEL, THE ELEMENT LENGTH IS EITHER 12 FT (366 CM) OR 24 FT (732 CM).

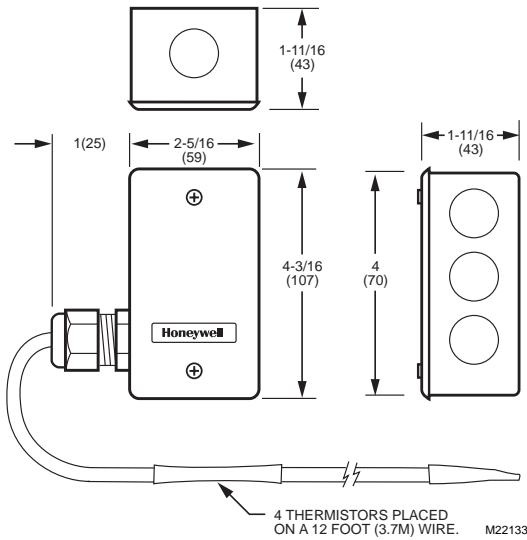
M22818

Temperature Sensors

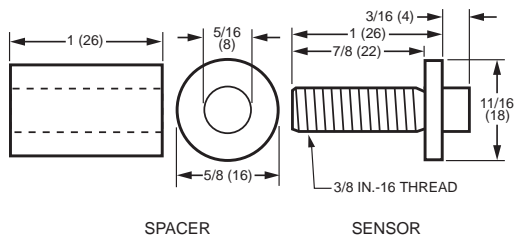
C7021F, C7023F, C7031G, C7041F, C7021F, C7023F, C7031G, C7041F, T775-SENS-OAT Dimensions



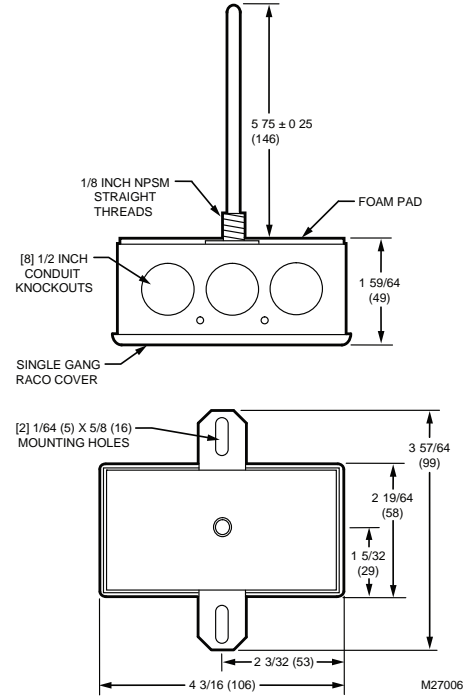
C7021J, C7023J, C7031J, C7041J Dimensions



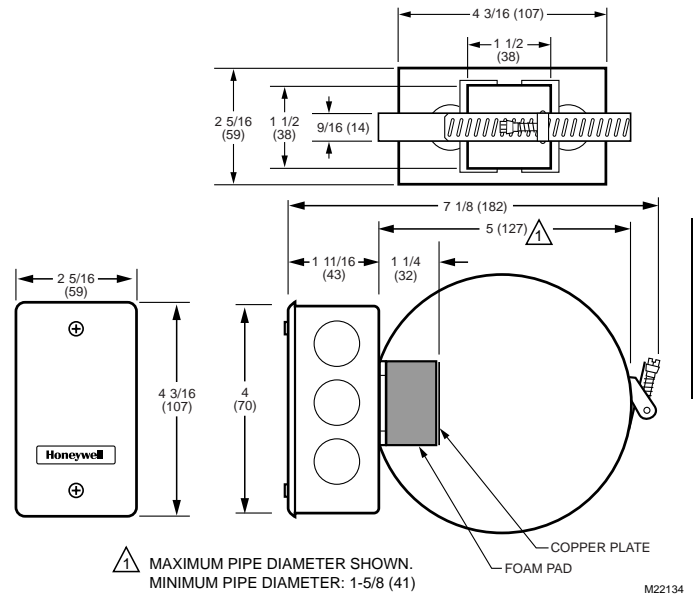
C7021P, C7023P, C7041P Dimensions



Dimensions in inches (millimeters)



C7021K, C7023K, C7021K, C7023KC7041K, T775-SENS-STRAP Dimensions



Commercial Components