

# HIGH INTENSITY DISCHARGE (HID) BALLASTS

## Capacitors

Identifying the capacitor model number

Electronic Ballasts

Compact Fluorescent Ballasts

HID Ballasts

**1 2 3**

MICROFARAD (M fd.) VALUE

**4 5 6**

RATED VOLTAGE

**7**

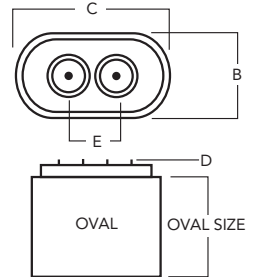
CAPACITOR TYPE  
(1) OIL-FILLED  
(2) DRY FILM  
(3) ROUND OIL-FILLED

**8**

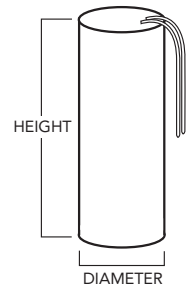
CASE DIMENSIONS (SEE TABLES)

## Capacitor Dimensions (inches)

OVAL OIL-FILLED CAPACITOR DIMENSIONS (inches)					
MODEL TYPE	MAXIMUM				
	OVAL SIZE	DIM. B	DIM. C	DIM. D	DIM. E
A	1.25	1.31	2.16	0.50	0.81
B	1.50	1.56	2.69	0.50	0.81
C	1.75	1.91	2.91	0.50	0.81
D	2.00	1.97	2.66	0.50	0.81



ROUND OIL-FILLED CAPACITOR DIMENSIONS (inches)		
MODEL TYPE	MAXIMUM DIAMETER	MAXIMUM HEIGHT
A	1.51	3.27
B	1.77	3.27
C	2	4.06
D	2.5	5.63



ROUND DRY FILM CAPACITOR DIMENSIONS (inches)		
MODEL TYPE	MAXIMUM DIAMETER	MAXIMUM HEIGHT
A	1.25	3.23
B	1.58	3.62
C	1.77	4.21
D	2	1.97

## Capacitor Specifications ••••••••••••••••••••

MODEL NUMBER	MICROFARAD VALUE	VOLTS	MAX HEIGHT (inches)	HOWARD INDUSTRIES BALLAST FAMILY WHERE USED
<b>OVAL OIL-FILLED 90°C</b>				
12.0/280-1A	12.0	280	3.13	M0100-XXC-511 MH 100 HX-HPF M-90
10.0/400-1B	10.0	400	2.87	M0175-XXC-212 MH 175 CWA M-57
15.0/300-1C	15.0	300	2.69	M0200-XXC-611 MH 200 PS CWA, M136
15.0/400-1C	15.0	400	2.90	M0250-XXC-X1X MH 250 CWA & PA CWA M-58, M138
24.0/400-1C	24.0	400	3.87	M0400-XXC-21X MH 400 CWA M-59
24.0/480-1C	24.0	480	3.88	M1000-XXC-212 MH 1000 CWA M-47
5.0/280-1A	5.0	280	2.50	S0050-XXC-511 HPS 50 HX-HPF S-68
7.0/280-1A	7.0	280	2.50	S0070-XXC-511 HPS 70 HX-HPF S-62
10.0/280-1A	10.0	280	2.50	S0100-XXC-511 HPS 100 HX-HPF S-54
14.0/280-1B	14.0	280	2.87	S0150-XXC-X11 HPS 150 HX-HPF S-55
28.0/280-1C	28.0	280	3.87	S0200-XXC-X11 HPS 200 HX-HPF S-66
35.0/240-1C	35.0	240	3.87	S0250-XXC-211 HPS 250 CWA S-50
55.0/240-1C	55.0	240	3.87	S0400-XXC-211 HPS 400 CWA S-51
26.0/525-1C	26.0	525	4.87	S1000-XXC-211 HPS 1000 CWA S-52
19.5/400-1C	19.5	400	3.40	M0320-XXC-611 MH 320 PS CWA M-132
17.5/280-1B	17.5	280	3.23	M0320-08C-711 MH 320 PS REACTOR M-132
20.5/400-1C	20.5	400	3.40	M0350-XXC-611 MH 350 PS CWA M-131
20.0/280-1B	20.0	280	3.23	M0350-08C-711 MH 350 PS REACTOR M-131
15.0/300-1C	15.0	300	3.23	M0400-08C-711 MH 400 PS REACTOR M-135, M-155
26.0/330-1C	26.0	330	3.23	M0400-XXC-611 MH 400 PS CWA M-135, M-155
21.0/480-1C	21.0	480	3.23	M0400-XXC-411 MH 400 REG-LAG M-128, M-135, M-59
32.0/525-1D	32.0	525	5.30	M1500-XXC-212 MH 1500 CWA M-48
<b>ROUND OIL-FILLED 90°C</b>				
12.0/280-3A	12.0	280	3.27	M0100-XXC-511 MH 100 HX-HPF M-90
10.0/400-3A	10.0	400	3.27	M0175-XXC-212 MH 175 CWA M-57
15.0/400-3B	15.0	400	3.27	M0250-XXC-X1X MH 250 CWA & PA CWA M-58, M138
24.0/400-3C	24.0	400	4.06	M0400-XXC-21X MH 400 CWA M-59
24.0/480-3C	24.0	480	4.06	M1000-XXC-212 MH 1000 CWA M-47
5.0/280-3A	5.0	280	3.27	S0050-XXC-511 HPS 50 HX-HPF S-68
7.0/280-3A	7.0	280	3.27	S0070-XXC-511 HPS 70 HX-HPF S-62
10.0/280-3A	10.0	280	3.27	S0100-XXC-511 HPS 100 HX-HPF S-54
14.0/280-3A	14.0	280	3.27	S0150-XXC-X11 HPS 150 HX-HPF S-55
28.0/280-3B	28.0	280	3.27	S0200-XXC-X11 HPS 200 HX-HPF S-66
26.0/525-3D	26.0	525	5.63	S1000-XXC-211 HPS 1000 CWA S-52
19.5/400-3B	19.5	400	4.06	M0320-XXC-611 MH 320 PS CWA M-132
17.5/280-3A	17.5	280	3.27	M0320-08C-711 MH 320 PS REACTOR M-132
20.0/280-3B	20.0	280	3.27	M0350-08C-711 MH 350 PS REACTOR M-131
32.0/525-3D	32.0	525	5.63	M1500-XXC-212 MH 1500 CWA M-48
45.0/280-3C	45.0	280	4.06	S0310-XXU-211 HPS 310 CWA S-67

Electronic  
Ballasts

Compact  
Fluorescent Ballasts

HID  
Ballasts

# HIGH INTENSITY DISCHARGE (HID) BALLASTS

Electronic Ballasts

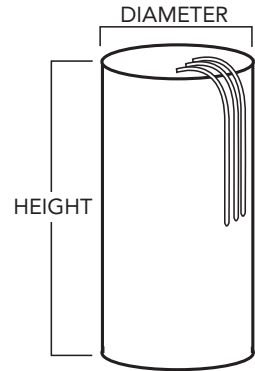
Compact Fluorescent Ballasts

MODEL NUMBER	MICROFARAD VALUE	VOLTS	MAX HEIGHT (inches)	HOWARD INDUSTRIES BALLAST FAMILY WHERE USED
ROUND DRY FILM 100°C				
10.0/400-2B	10.0	400	3.72	M0175-XXC-212 MH 175 CWA M-57
15.0/300-2C	15.0	300	3.75	M0200-XXC-611 MH 200 PS CWA, M136
15.0/400-2C	15.0	400	4.20	M0250-XXC-X1X MH 250 CWA & PS CWA M-58, M-138
24.0/400-2C	24.0	400	5.20	M0400-XXC-21X MH 400 CWA M-59
5.0/280-2A	5.0	280	3.23	S0050-XXC-511 HPS 50 HX-HPF S-68
7.0/280-2A	7.1	280	3.23	S0070-XXC-511 HPS 70 HX-HPF S-62
10.0/280-2B	10.0	280	3.23	S0100-XXC-511 HPS 100 HX-HPF S-54
12.0/280-2B	12.0	280	3.23	M0100-XXC-511 MH 100 HX-HPF M-90
14.0/280-2B	14.0	280	3.72	S0150-XXC-X11 HPS 150 HX-HPF S-55
28.0/280-2C	28.0	280	4.70	S0200-XXC-X11 HPS 200 CWA S-66
35.0/240-2C	35.0	240	4.70	S0250-XXC-211 HPS 250 CWA S-50
55.0/240-2C	55.0	240	4.21	S0400-XXC-211 HPS 400 CWA S-51
19.5/400-2C	19.5	400	4.70	M0320-XXC-611 MH 320 PS CWA M-132
17.5/280-2C	17.5	280	4.70	M0320-08C-711 MH 320 PS REACTOR M-132
20.5/400-2C	20.5	400	4.70	M0350-XXC-611 MH 350 PS CWA M-131
20.0/280-2C	20.0	280	3.80	M0350-08C-711 MH 350 PS REACTOR M-131
20.0/280-2C	20.0	280	4.70	M0400-08C-711 MH 400 PS REACTOR M-135, M-155
26.0/330-2C	26.0	330	4.20	M0400-XXC-611 MH 400 PS CWA M-135, M-155

## Starters

HID Ballasts

STARTERS				
MODEL TYPE	BALLAST FAMILY WHERE USED	UPC CODE	MAXIMUM DIMENSIONS	
			DIAMETER	HEIGHT
ST1000	Pulse Start MH Reactor Ballasts (320, 350, 400 Watt)	61000	1.25	2.5
ST1001	Pulse Start CWA and HX Circuits 100 - 400 Watts	61001	1.25	2.5
ST1002	Pulse Start Regulated Lag	61002	1.25	2.5
ST1003	Pulse Start 750 Watt	99679	1.25	2.5
ST2000	HPS CWA Circuits 250 & 400 watts	62000	1.25	2.5
ST2001A	HPS Hx Circuits 35 - 150 Watts	62004	1.25	2.5
ST2002	HPS CWA 1000 Watt	62002	1.25	2.5
ST2002LR	Long Range HPS CWA 1000 Watt	62003	1.25	2.5



## Brackets

Brackets									
BRACKET CATALOG NUMBER	WELDED BRACKET DIMENSIONS					ACCESSORY CODE	COMMONLY USED FOR	BALLAST DIM FIG.	BRACKET FIG.
	L	W	M	S					
1092-077303-100	----	----	----	----	Loose	B00	3X4 Core size kits	1	B
1092-077303-102	----	----	----	----	Loose	B02	4.25 x 4.75 4.25 x 6.00 Core size kits	2	A
1092-077303-103	----	----	----	----	Welded	B03	Reactor Ballasts	6	6
1092-077303-106	6.5	1.25	5.75	0.28	Welded	B06	4.25 x 4.75 Core size	2,3	C
1092-077303-107	5.1	1	4.5	0.25	Welded	B07	3 x 4 Core size	1	C
1092-077303-108	7.8	2.75	6.13	0.25	Welded	B08	4.25 x 6.00 Core size	5	C
1092-077303-109	7.8	4.5	6.75	0.31	Welded	B09	4.25 x 6.00 Core size	5	C
1092-077304-100	----	----	----	----	Loose	B12	Starters	----	----
1092-077304-101	----	----	----	----	Loose	B11	Capacitors	----	----

## Mounting Brackets

FIGURE A

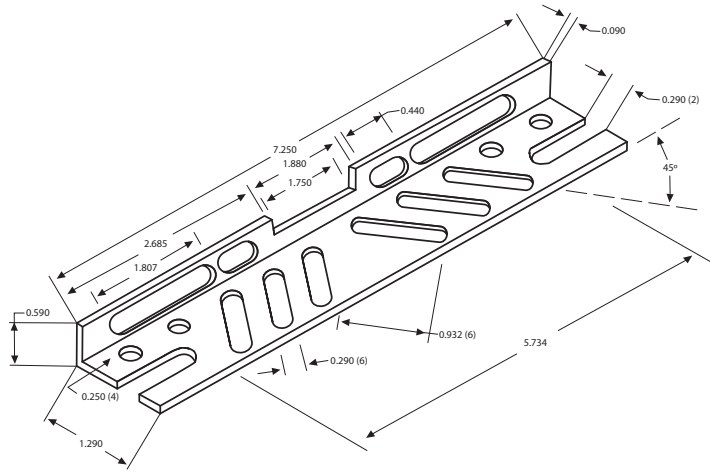


FIGURE B

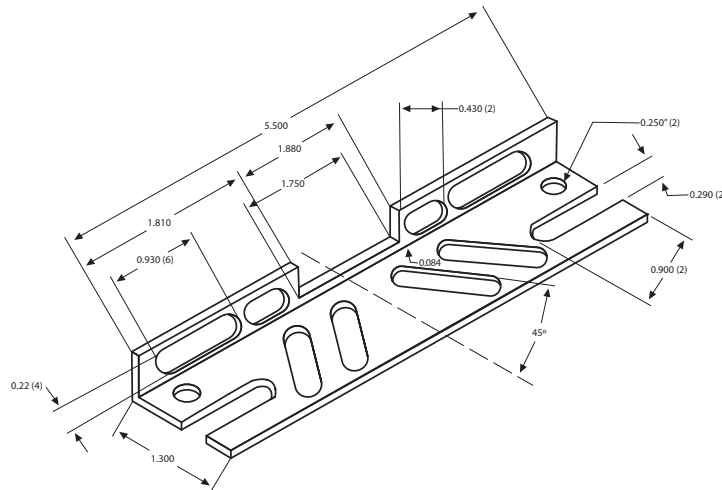
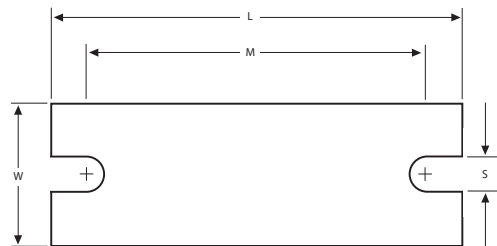


FIGURE C



Electronic  
Ballasts

Compact  
Fluorescent Ballasts

HID  
Ballasts