

Switched Disconnects and Enclosures

Features and Benefits

Circuit-Lock® 200A Disconnect Switches

Hubbell's 200A Disconnect Switches are the latest addition to the Circuit-Lock® family of switched enclosures. The enclosures are designed to withstand harsh environments with exposure to water, chemicals, oils and frequent washdowns. Available in non-metallic or stainless steel, the enclosures are UL Listed Type 4X and 12.

- UL 98 Rated Switch
- Non-Metallic and Stainless Steel
- Type 4X, 12
- Accepts up to 2 Auxiliary Contacts
- Highly Visible Red Rotary Handle
- OSHA Compliant Lockout/Tagout Handle
- Unable to Open the Cover when ON; Cover Locked when Energized
- 200kA SCCR Rating when Protected by a Class "J" Fuse



Designed to Withstand Harsh Environments

HBLDS20

HBLDS20SS

Circuit-Lock® 200A Disconnect Switches

Description	Catalog Number
200A non-metallic disconnect.	HBLDS20
200A stainless steel disconnect.	HBLDS20SS
N/O auxiliary contact - "Break Before Main".	HBLAC200
200A replacement switch.	HBLDS20RS
200A replacement handle.	HBL200HDL

Materials - 200A Non-Metallic

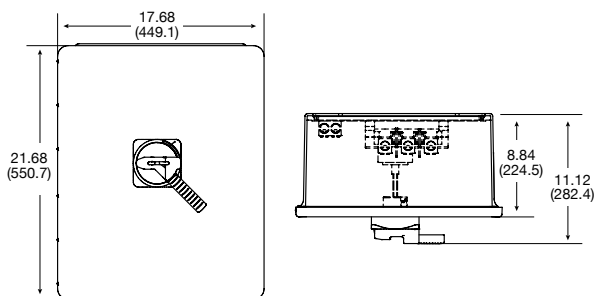
Description	Material	Finish
Enclosure	FR Polyester	—
Handle	Plastic	Red/Yellow
Switch	Plastic	—
Backplate	12 Ga. Aluminum	None
Terminals	Aluminum	Tin Plated
Fasteners	Steel	Zinc Plated

Materials - 200A Stainless Steel

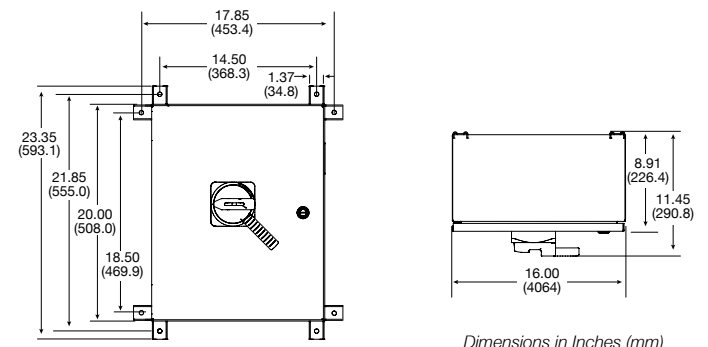
Description	Material	Finish
Enclosure	14 Ga. 304 SST	Smooth Grain
Handle	Plastic	Red/Yellow
Switch	Plastic	—
Backplate	14 Ga. 304 SST	304 Ann 2B
Terminals	Aluminum	Tin Plated
Fasteners	Steel	Zinc Plated
Mounting Feet	304 SST	—

Dimensions

Non-Metallic



Stainless Steel



Dimensions in Inches (mm)