

HBL2341

### Plugs

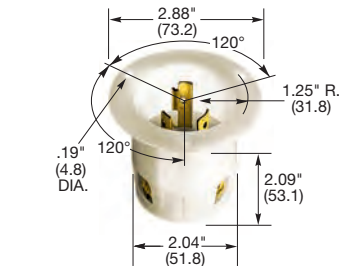
Description	Cord Dia.	Catalog Number			
Black and white nylon.	.360"-.930" (9-24)	<b>HBL3721</b>	<b>HBL2341</b>	<b>HBL2351</b>	-
Black and white nylon (Not shown).	.300"-1.050" (7.6-26.7)	-	-	-	<b>HBL2361</b>

Note: See page B-51 for accessories.

### Flanged Inlets

Description	Catalog Number				
Nylon casing, back wired.	<b>HBL3725</b>	<b>HBL2345</b>	<b>HBL2355</b>	<b>HBL2365</b>	

Note: See page B-50 for accessories.

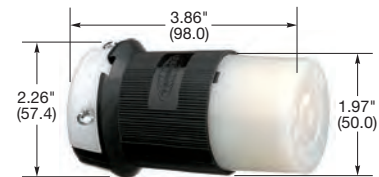


HBL2345

### Connector Bodies

Description	Cord Dia.	Catalog Number			
Black and white nylon.	.360"-.930" (9-24)	<b>HBL3723</b>	<b>HBL2343</b>	<b>HBL2353</b>	-
Black and white nylon (Not shown).	.300"-1.050" (7.6-26.7)	-	-	-	<b>HBL2363</b>

Note: See page B-51 for accessories.



HBL2343

### Single Flush Receptacles

Description	Catalog Number				
Black nylon face, back and side wired.	<b>HBL3720</b>	<b>HBL2340</b>	<b>HBL2350</b>	<b>HBL2360</b>	
Watertight Safety-Shroud®, gray Valox® housing and flange, back and side wired, (Not shown).	-	<b>HBL2340SW</b>	-	-	
Isolated ground, orange nylon face, back and side wired.	-	<b>IG2340</b>	-	-	

Note: See page B-50 for accessories.

### Flanged Receptacles

Description	Catalog Number				
Nylon casing, back wired.	<b>HBL3726</b>	<b>HBL2346</b>	<b>HBL2356</b>	<b>HBL2366</b>	

Note: See page B-50 for accessories.

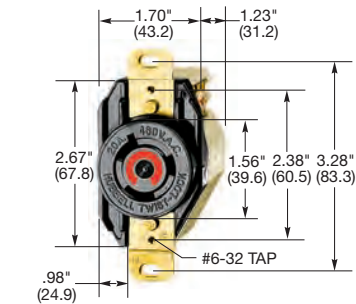
See page B-69 for technical information.

See page B-37 for switched enclosure.

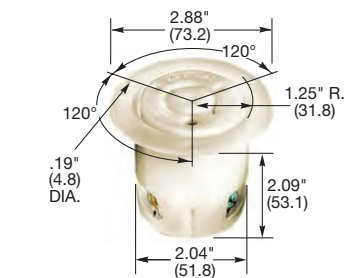
See page B-40 for Add-A-Shroud® kit. For use with connector bodies.

Only receptacles and plugs up to 480V AC are HP rated.

HP ratings are AC only.



HBL2340



HBL2346