



30A 3ØY  
120/208V AC  
NEMA L21-30R  
UL/CSA  
3 HP



30A 3ØY  
277/480V AC  
NEMA L22-30R  
UL/CSA  
10 HP



30A 3ØY  
347/600V AC  
NEMA L23-30R  
UL/CSA

## Connector Bodies

### Watertight Safety-Shroud®

IP66 SUITABILITY UL Type 4x, 12

| Description                                | Cord Dia.              | Catalog Number   |                  |   |
|--|------------------------|------------------|------------------|---|
| Black Valox® housing, white Valox® clamps. | .350"-1.150"<br>(9-29) | <b>HBL2813SW</b> | <b>HBL2823SW</b> | - |



**HBL2813SW**

### Insulgrip®

IP20 SUITABILITY

| Description                        | Cord Dia.              | Catalog Number   |                |                |
|------------------------------------|------------------------|------------------|----------------|----------------|
| Black and white nylon.             | .350"-1.150"<br>(9-29) | <b>HBL2813</b>   | <b>HBL2823</b> | <b>HBL2833</b> |
| Corrosion resistant, yellow nylon. | .350"-1.150"<br>(9-29) | <b>HBL28CM13</b> | -              | -              |
| Black and white for flat cable.    | .350"-1.150"<br>(9-29) | <b>HBL2813FC</b> | -              | -              |
| All black nylon.                   | .350"-1.150"<br>(9-29) | <b>HBL2813BK</b> | -              | -              |



**HBL2813**

Note: See page B-53 for accessories.

## Receptacles

### Watertight Safety-Shroud®

IP66 SUITABILITY UL Type 4x, 12

| Description                                 | Catalog Number   |                  |                  |
|---|------------------|------------------|------------------|
| Gray Valox® housing and flange, back wired. | <b>HBL2810SW</b> | <b>HBL2820SW</b> | <b>HBL2830SW</b> |

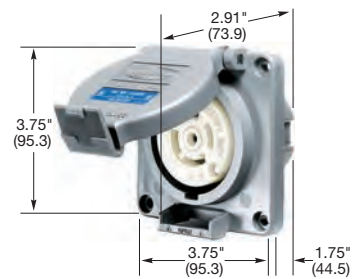
Note: See page B-54 for accessories.

### Safety-Shroud® Twist-Lock®

IP20 SUITABILITY

| Description   | Catalog Number    |   |   |
|---|-------------------|---|---|
| Gray Valox® angle housing, one gang, back wired.    | <b>HBL2810AR</b>  | - | - |
| Gray Valox® surface mounting, one gang, back wired. | <b>HBL2810SR</b>  | - | - |
| Gray Valox® semi-flush, two gang, back wired.       | <b>HBL2810SR2</b> | - | - |

Note: See page B-54 for accessories.



**HBL2810SW**

### Single Flush Receptacles

IP20 SUITABILITY

| Description  | Catalog Number   |                |                |
|--|------------------|----------------|----------------|
| Black nylon face, back and side wired.                   | <b>HBL2810</b>   | <b>HBL2820</b> | <b>HBL2830</b> |
| Isolated ground, orange nylon face, back and side wired. | <b>IG2810</b>    | -              | -              |
| Ring terminal connection.                                | <b>HBL2810RT</b> | -              | -              |

Note: See page B-52 for accessories.

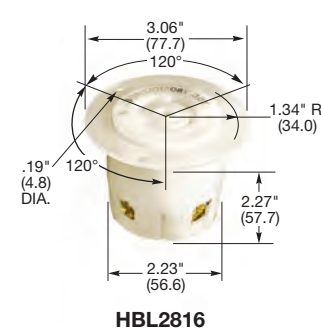


**HBL2810AR**

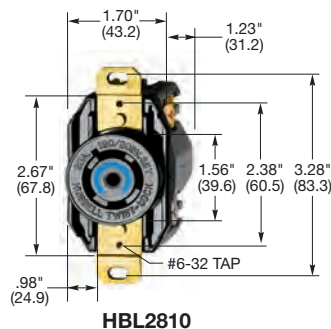
### Insulgrip® Flanged Receptacles

| Description               | Catalog Number |                |                |
|---------------------------|----------------|----------------|----------------|
| Nylon casing, back wired. | <b>HBL2816</b> | <b>HBL2826</b> | <b>HBL2836</b> |

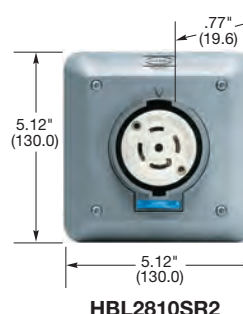
Note: See page B-52 for accessories.



**HBL2816**



**HBL2810**



**HBL2810SR2**



**HBL2810SR**

Valox® is a trademark of SABIC Innovative Plastics, acquired from General Electric Company.

Dimensions in Inches (mm)