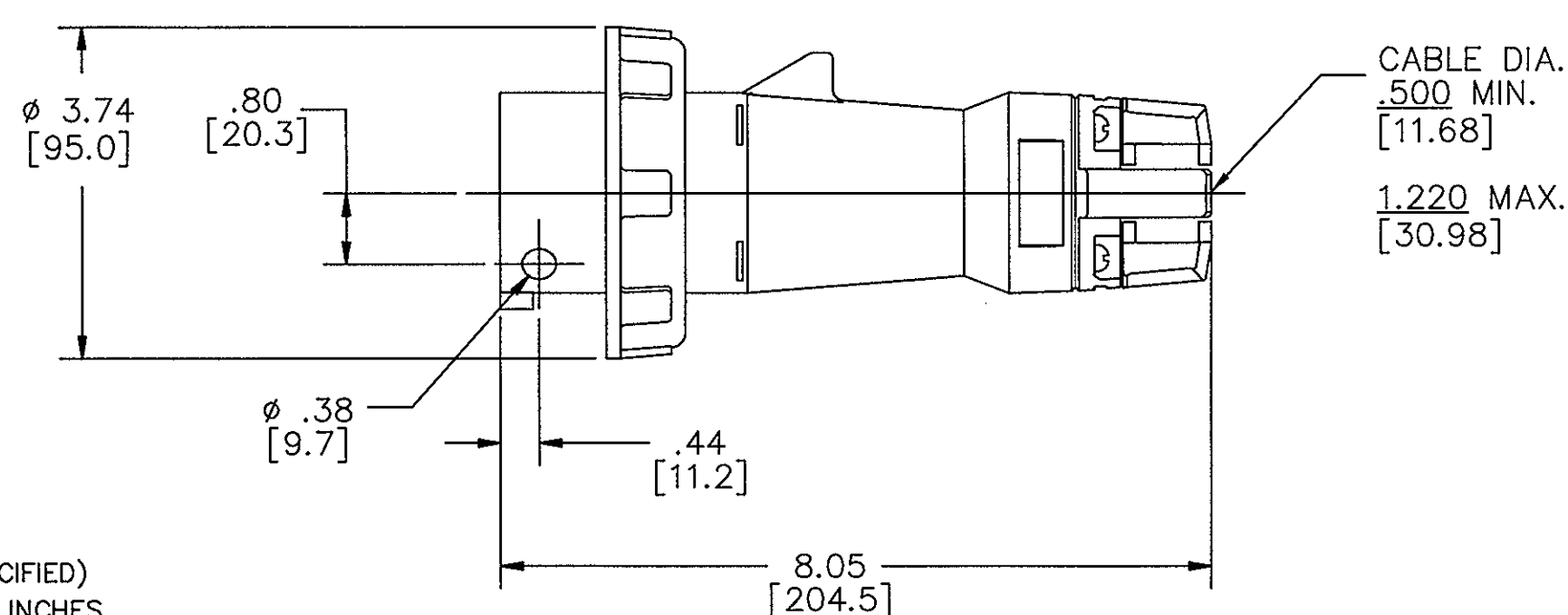
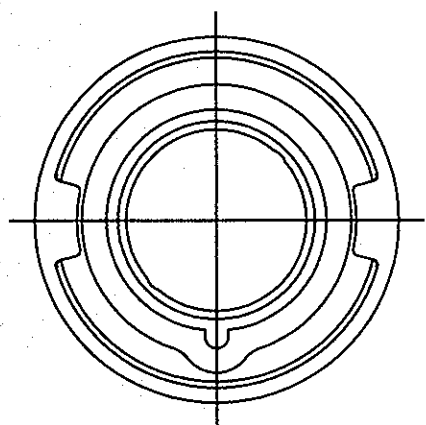
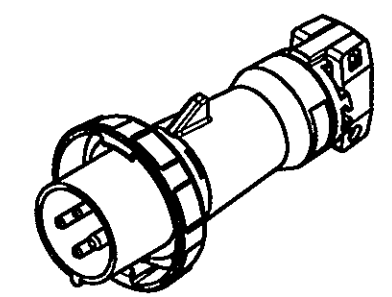


M-6071 | 6



NOTES: (UNLESS OTHERWISE SPECIFIED)
1) DIMENSION FORMAT IS: INCHES [mm]

LIST OF PARTS		
DESCRIPTION	MATERIAL	FINISH
HOUSING	SEE TABLE	
GASKET	RUBBER	
LOCK RING	POLYESTER	
INTERIOR	THERMOSET	
PINS	BRASS	
TERM.SCREWS	STAIN. STEEL	
GLAND CAP	POLYESTER	
GLANDS	RUBBER	
CLAMPS	POLYESTER	
CLAMP NUTS	BRASS	NICKEL
ASS'Y SCRS.	STAIN. STEEL	



CATALOG NO. HBL430P9W
(NOT SHOWN TO SCALE)

WHD 3/11/16

6	ADDED ALL HBLs CAT. NO.s. ADDED ISO VIEW TO INDICATE EMBEDDED SOLID MODEL IN DRAWING Ø.500 MIN CABLE SIZE WAS Ø.375 PER DCN 21767	WHD	01/26/16
5	ADDED CAT. NO. HBL430P6V02 AND SPECS. TO TABLE. PER DCN 18867 DDL	CAC	05/30/12
SYM	REVISIONS	APP	DATE

THE DESIGN AND DIMENSIONS OF THE PRODUCT SHOWN ON THIS DRAWING ARE SUBJECT TO CHANGE WITHOUT NOTICE

TITLE 30A & 32A 3 POLE 4 WIRE PIN & SLEEVE PLUGS

TOLERANCES UNLESS OTHERWISE SPECIFIED .XX = ±.01 .XXX = ±.005 ANGLES = ±2'	WIRING DEVICE—KELLEMS HUBBELL INCORPORATED SHELTON, CT	
	DR. BY CAC	APP. BY
	TR. BY	SCALE 1/2
	CHK. BY	DATE 1/6/99

CAT NO.	CONFIGURATION	RATING	HOUSING		CAT. NO.	CONFIGURATION	RATING	HOUSING	
			COLOR	MATERIAL				COLOR	MATERIAL
HBL432P3W		30A 380-440VAC	RED	NYLON	HBL430P7WR		30A 3Ø 480VAC	RED	NYLON
HBL432P3W		32A 380V-50HZ 440V-60HZ	RED	PBT	HBL430P7W				
HBL430P5W		30A 3Ø 600VAC	BLACK	NYLON	HBL430P7V05		30A 3Ø 480VAC	RED	PBT
HBL430P5WR			BLACK	PBT	HBL430P7W				
					HBL430P9WR		30A 3Ø 250VAC	BLUE	NYLON
					HBL430P9W				
HBL432P6W		30A 380-415VAC	RED	NYLON	HBL430P9WR		30A 3Ø 250VAC	BLUE	PBT
HBL430P6W		32A 380V-415VAC	RED	PBT	HBL430P9W				
					HBL430P9V04		30A 3Ø 250VAC	BLUE	PBT
HBL430P6V02		30A 380-415VAC	RED	PBT	HBL430P12W		30AMP 125/250VAC	ORANGE	NYLON
					HBL430P12W			ORANGE	PBT

DIMENSION SHEET FOR CAT. NO. SEE TABLE
 REPAIRABLE
 NON-REPAIRABLE
 B
 M-6071
 6