



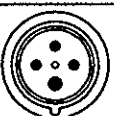
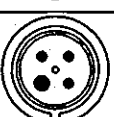
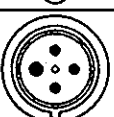
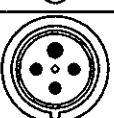
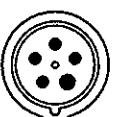
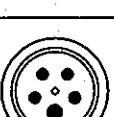
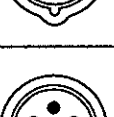
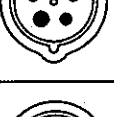
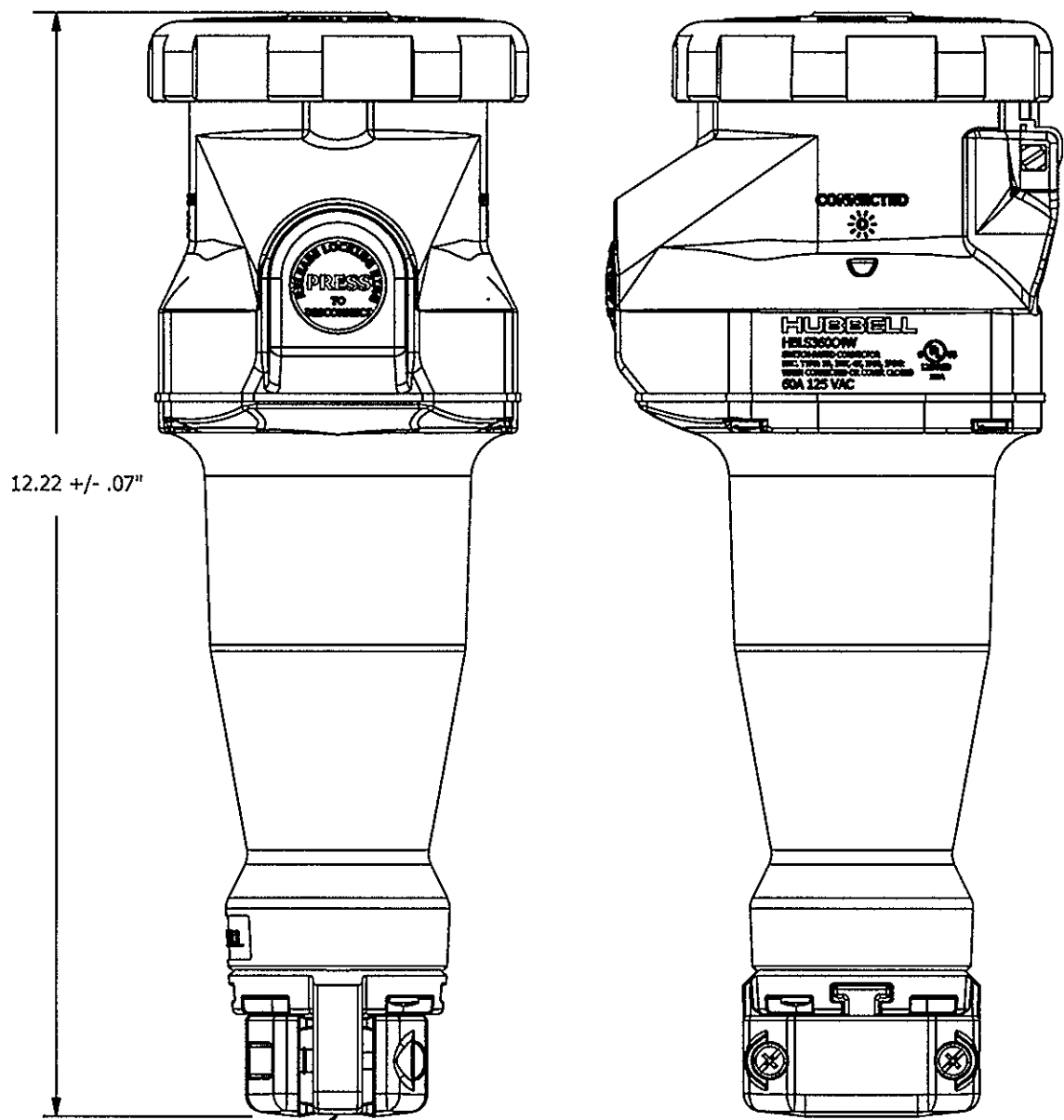
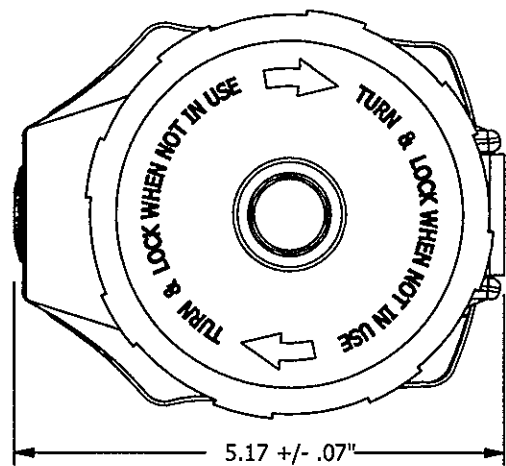


**M-12537** 1

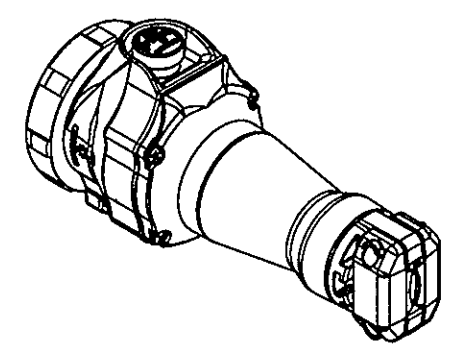
CONFIGURATION TABLE				
CAT NO.	CONFIGURATION	RATING	HSG MAT'L	HSG COLOR
HBLS360C4W HBLS360C4WP		60A 125 VAC 60A 125 VAC WITH PILOT/AUX CONTACT	PBT	YELLOW
HBLS360C6W HBLS360C6WP		60A 250 VAC 60A 250 VAC 63A 220-240 VAC WITH PILOT/AUX CONTACT	PBT	BLUE
HBLS360C7W HBLS360C7WP		60A 480 VAC 60A 480 VAC WITH PILOT/AUX CONTACT	PBT	RED
HBLS460C5W HBLS460C5WP		60A 3Φ 600 VAC 60A 3Φ 600 VAC WITH PILOT/AUX CONTACT	PBT	BLACK
HBLS460C6W HBLS460C6WP		60A 380-415 VAC 60A 380-415 VAC 63A 380-415 VAC WITH PILOT/AUX CONTACT	PBT	RED
HBLS460C7W HBLS460C7WP		60A 3Φ 480 VAC 60A 3Φ 480 VAC WITH PILOT/AUX CONTACT	PBT	RED
HBLS460C9W HBLS460C9WP		60A 3Φ 250 VAC 60A 3Φ 250 VAC 63A 3Φ 250 VAC WITH PILOT/AUX CONTACT	PBT	BLUE
HBLS460C12W HBLS460C12WP		60A 125/250 VAC 60A 125/250 VAC WITH PILOT/AUX CONTACT	PBT	ORANGE
HBLS560C5W HBLS560C5WP		60A 3Φ 347/600 VAC 60A 3Φ 347/600 VAC WITH PILOT/AUX CONTACT	PBT	BLACK
HBLS560C6W HBLS560C6WP		60A 200/346 - 240/415 VAC 60A 200/346 - 240/415 VAC 63A 220/415 VAC WITH PILOT/AUX CONTACT	PBT	RED
HBLS560C7W HBLS560C7WP		60A 3Φ 277/480 VAC 60A 3Φ 277/480 VAC WITH PILOT/AUX CONTACT	PBT	RED
HBLS560C9W HBLS560C9WP		60A 3Φ 120/208 VAC 60A 3Φ 120/208 VAC 63A 3Φ 120/208 VAC WITH PILOT/AUX CONTACT	PBT	BLUE

CODE 74545



CABLE DIA. RANGE:  
.50" min. / 1.45" max.  
12.7 mm min/37 mm max

LIST OF PARTS		
DESCRIPTION	MATERIAL	FINISH
HOUSING	PBT	
INTERIOR	NYLON	
SLEEVES	BRASS	
PHASE, NEUTRAL & GND CONTACTS	BER. COPPER	SILVER
TERMINAL SCREWS	SS	
HINGE & LID	PBT	
HINGE PIN & SPRING	SS	
GLAND CAP	PBT	
GLAND CLAMPS	PBT	
CLAMP NUTS	BRASS	NICKEL
ASSY SCREWS	SS	
GLAND	NEOPRENE	
LED WINDOW	POLYCARBONATE	
HOUSING GASKET	RUBBER	



3, 4 & 5 WIRE SWITCHED CONNECTOR

WHD 3/11/16

1	RELEASED FOR PRODUCTION PER DCN 21767 WHD 1/27/16		
SYM	DESCRIPTION	APPRO	DATE

THE DESIGN AND DIMENSIONS OF THE PRODUCT SHOWN ON THIS DRAWING ARE SUBJECT TO CHANGE WITHOUT NOTICE

TITLE  
60 & 63A 2W/3P, 3W/4P & 4W/5P PIN & SLEEVE SWITCHED CONNECTORS

TOLERANCES UNLESS OTHERWISE SPECIFIED .XX = ±.01 .XXX = ±.005 ANGLES = ±2'	WIRING DEVICE—KELLEMS HUBBELL INCORPORATED SHELTON, CT	
	DR. BY wdietz	APP. BY
	TR. BY WHD	SCALE
	CHK'D BY	DATE 9/23/2015

DIMENSION SHEET FOR CAT. NO. SEE TABLE REPAIRABLE  NON-REPAIRABLE  **B** M-12537 1