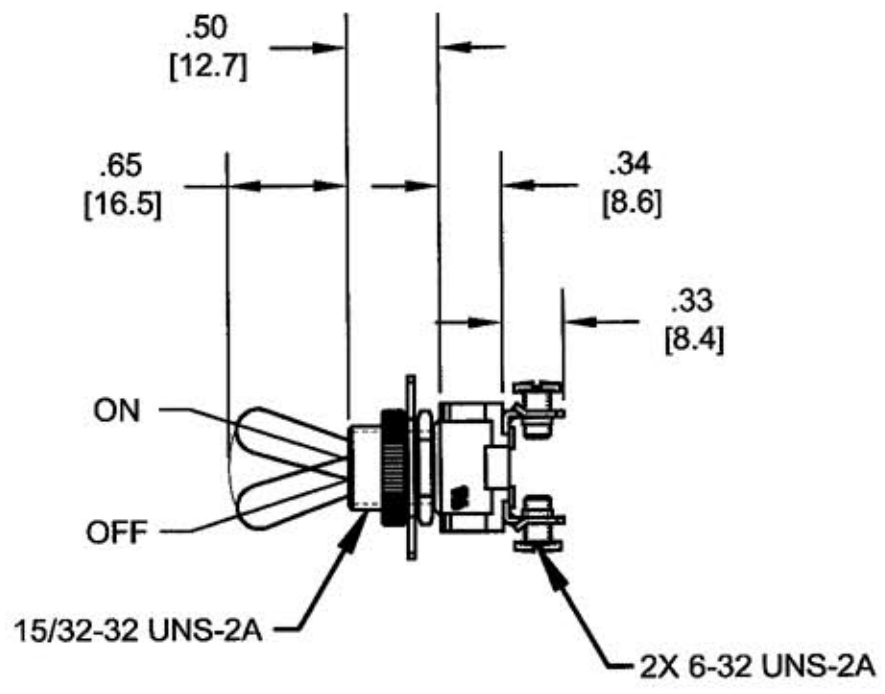
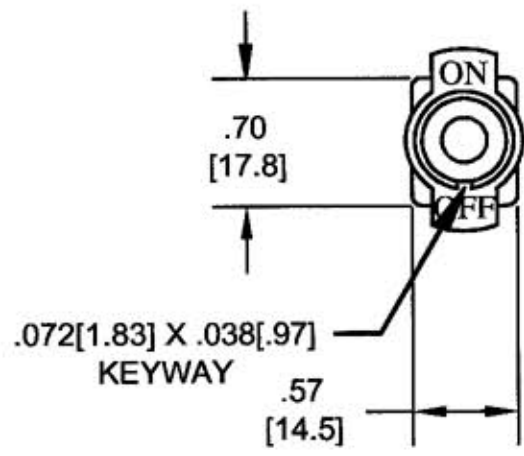
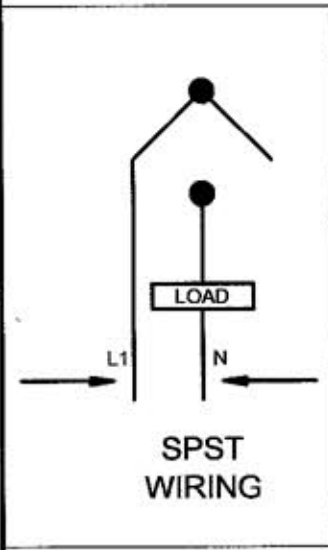


M-10206 1



- NOTES: (UNLESS OTHERWISE SPECIFIED):
- 1) DIMENSIONS ARE: INCHES [MM]
 - 2) SUPPLIED ASSEMBLED WITH: FACE PLATE, KNURL NUT AND HEX NUT.
 - 3) RECOMMENDED PANEL MOUNT OPENING 0.50 [12.7].
 - 4) RATING: 15 AMP, 120VAC
 10 AMP, 240VAC

CATALOG NO.	TERMINAL TYPE	SWITCH DESCRIPTION
HBL118	SCREW, #6-32UNS-2B	SINGLE POLE, SINGLE THROW

DESCRIPTION	MATERIAL	FINISH

DIMENSION SHEET FOR CAT. NO. HBL118/WL
 REPAIRABLE NON-REPAIRABLE
 B
M-10206
 1

1	RELEASED FOR PRODUCTION PER DCN # 13193. JMN	JPP	9/1/06
SYM	REVISIONS	APP	DATE

THE DESIGN AND DIMENSIONS OF THE PRODUCT SHOWN ON THIS DRAWING ARE SUBJECT TO CHANGE WITHOUT NOTICE

TITLE
 TOGGLE SWITCH
 SINGLE POLE, SINGLE THROW

TOLERANCES UNLESS OTHERWISE SPECIFIED FRACTIONS ±1/64 DECIMALS ±.005 ANGLES ±2°	WIRING DEVICE—KELLEMS HUBBELL INCORPORATED BRIDGEPORT, CT	
	DR. BY JMN	APP. BY JPP
	TR. BY	SCALE NONE
	CHK'D BY JPP	DATE 9/1/06