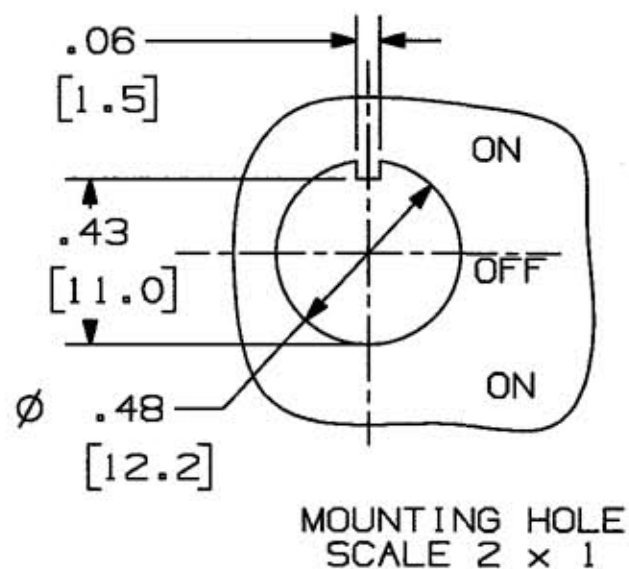
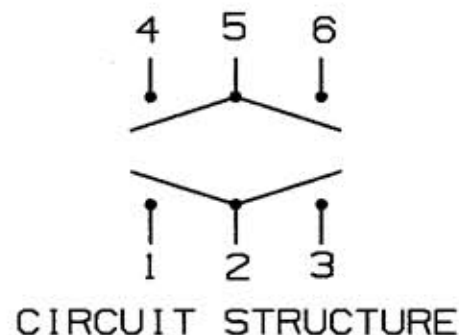


NOTE

- DIMENSIONS IN INCHES [MILLIMETERS].
- SUPPLIED ASSEMBLED WITH:
  - (1) .47"-32 THD. KNURLED NUT (BRASS, BLACK OXIDE).
  - (1) .47"-32 THD. HEX NUT (BRASS,NICKEL PLATE)

CATALOG NO. M223SP



MOUNTING HOLE SCALE 2 x 1

LIST OF PARTS

DESCRIPTION	MATERIAL	FINISH
REF. D53435		

REPAIRABLE

NON-REPAIRABLE

B

M-10281

1

1	RELEASED PER DCN13301 GPK	JPP	10/20/06
SYM	REVISIONS	APP	DATE

THE DESIGN AND DIMENSIONS OF THE PRODUCT SHOWN ON THIS DRAWING ARE SUBJECT TO CHANGE WITHOUT NOTICE

TITLE MARINE SWITCH DPDT ON/OFF/ON PLASTIC STEM

TOLERANCES UNLESS OTHERWISE SPECIFIED	WIRING DEVICE-KELLEMS HUBBELL INCORPORATED BRIDGEPORT, CT	
FRACTIONS ±1/64	DR. BY GPK	APP. BY JPP
DECIMALS ±.005	TR. BY	SCALE 1=1
ANGLES ±2°	CHK'D BY TCM	DATE 10/20/06