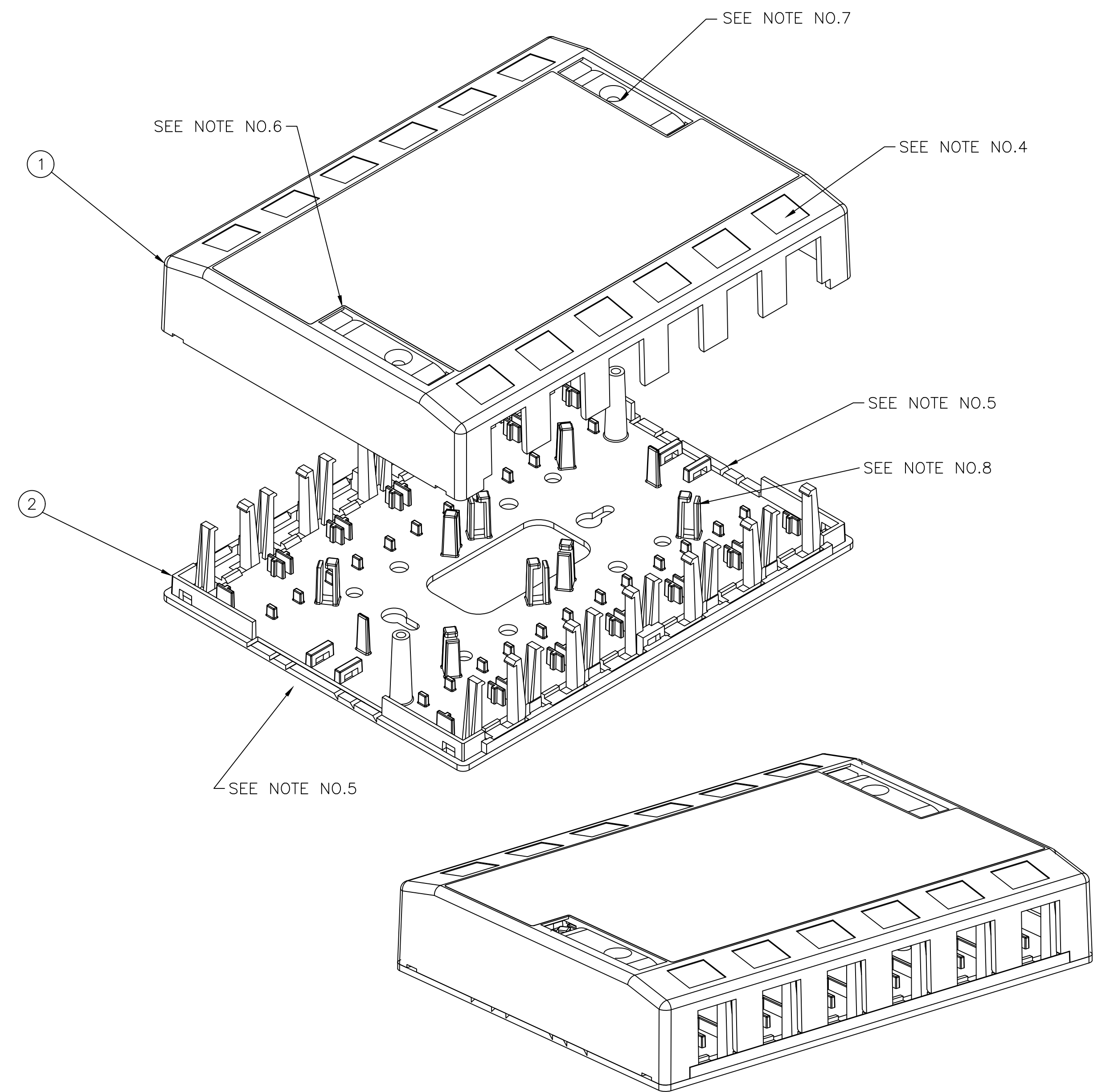
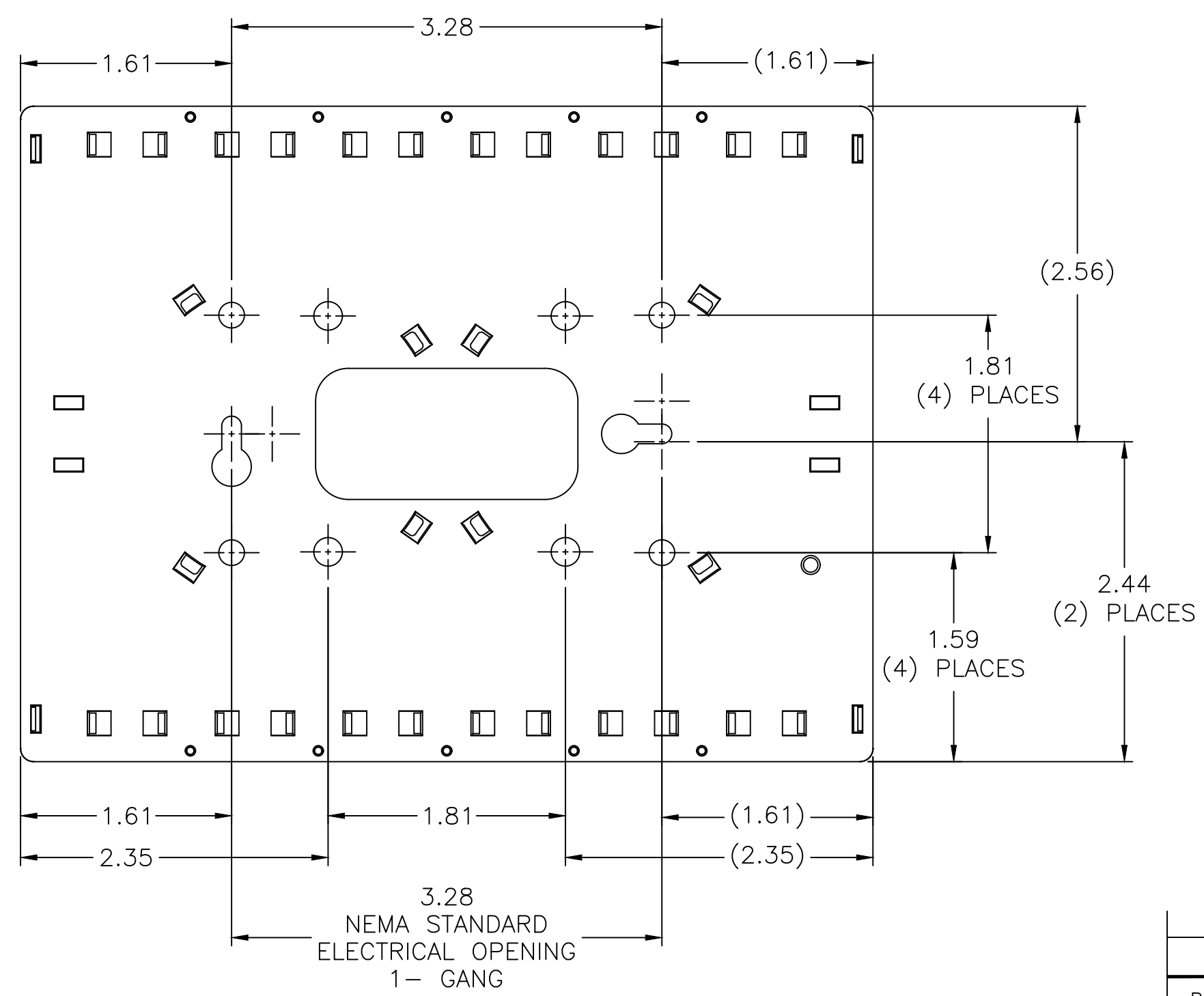
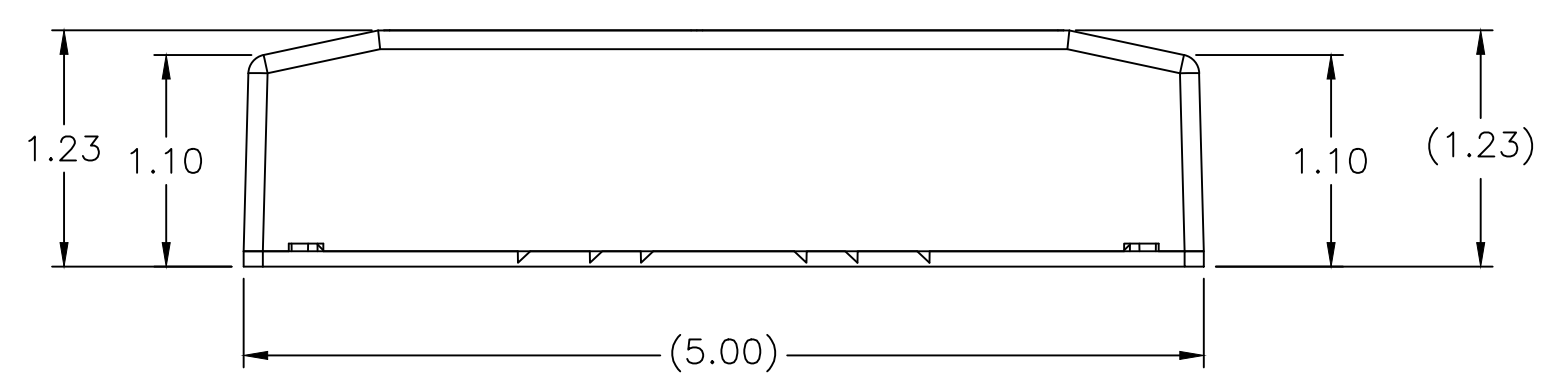
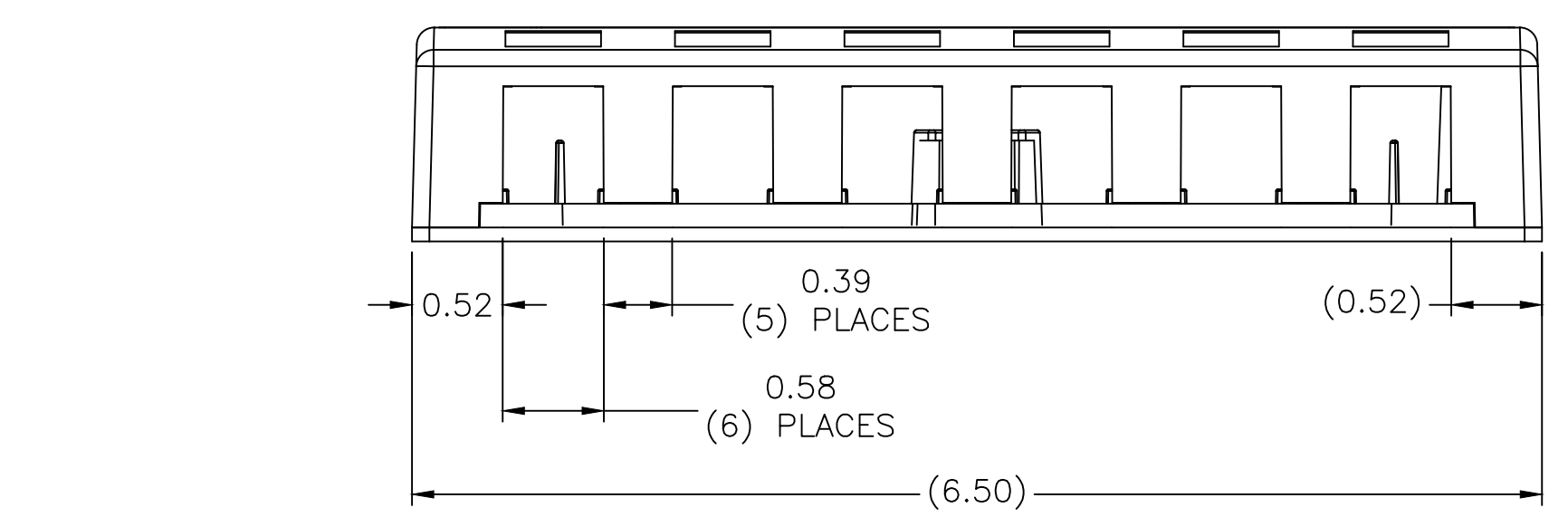
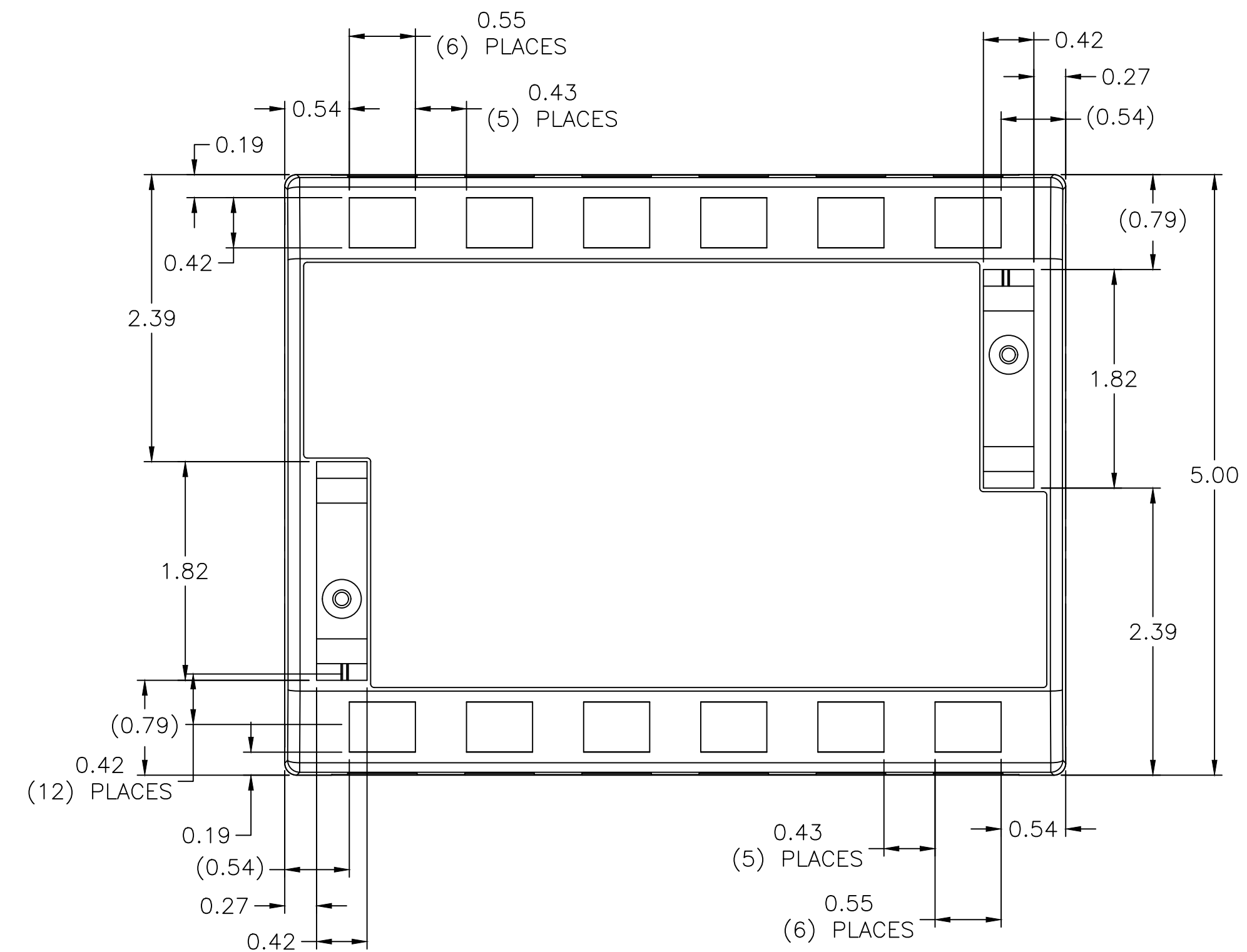


ITEM NO.	DESCRIPTION	QTY.
1	SURFACE HOUSING COVER	1
2	SURFACE HOUSING BASE	1
3	SECURITY SCREW	2

CATALOG NUMBER	DESCRIPTION
HSB12xx	HSB SERIES SURFACE HOUSING

"xx" = COLOR

AVAILABLE COLORS
W: WHITE
OW: OFFICE WHITE
BK: BLACK
GY: GRAY
EI: ELECTRIC IVORY



- NOTES:
- UL LISTED 1863
 - UL-94V-0 MATERIAL
 - CUL LISTED
 - PORT LABEL (XPLCRC10X)
 - RACEWAY KNOCKOUT MT6/7/8
 - STATION LABEL (XPLFP10X)
 - SECURITY SCREW
 - FIBER SPOOLING
 - SPECIFICATIONS SUBJECT TO CHANGE WITHOUT PRIOR NOTICE

REV.	ECN	DATE	DESCRIPTION	CHG BY	APPD BY
1	23839	12/5/19	INITIAL RELEASE	DPO	MMA

Created on AUTOCAD

DIMENSIONING AND TOLERANCE PER ANSI Y14.5M-1982 UNLESS OTHERWISE SPECIFIED, DIMENSIONS ARE IN INCHES (MM). TOLERANCES
.XX = ±.01 (.25)
.XXX = ±.005 (.127)
.XXXX = ±.0025 (.0635)
ANGLE TOL ±1°

IN ACCEPTING OUR DRAWINGS, BLUEPRINTS, OR SUPPORTING DOCUMENTATION FOR QUOTATION OR OTHER PURPOSES, YOU AGREE NOT TO DISCLOSE TO OTHERS THE IDEAS, INFORMATION, OR DESIGNS SHOWN HEREIN, AND THAT YOU WILL MAKE NO USE OF SAME WITHOUT PERMISSION

PROJECT REFERENCE:

MATERIAL:

DRAWN BY:
D.O'CONNOR 12/5/19

CHECKED BY:

APPROVED BY:

Hubbell Premise Wiring HUBBELL INCORPORATED (Delaware) 23 Clara Drive, Mystic, Connecticut 06355		TITLE:	PLATES/HOUSINGS/FRAMES SURFACE HOUSINGS HSB12 SURFACE HOUSING
		SIZE	DRAWING NO. HWS14899C
SCALE:	1/1	SHEET	1 OF 1

REV. 1