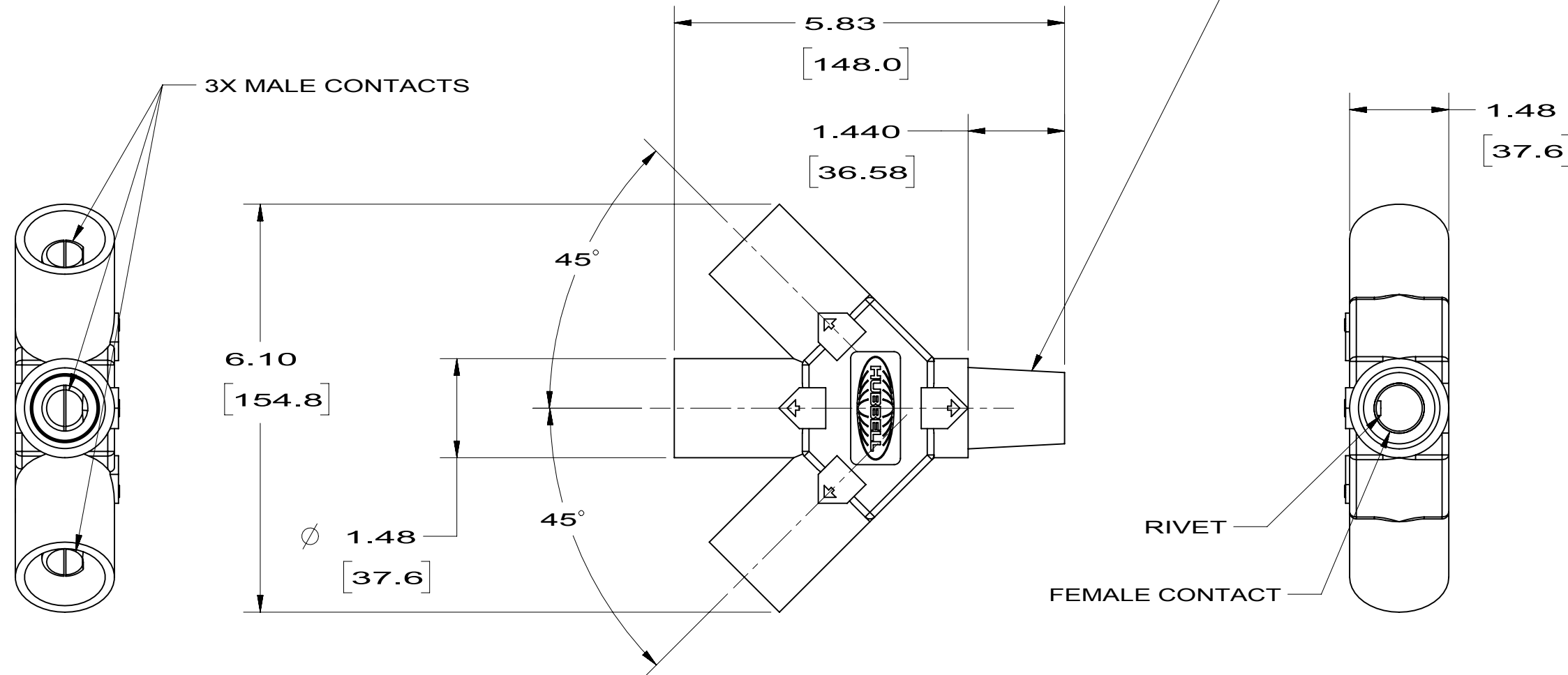


M-8937

4

HOUSING (OVERMOLDED WITH CONTACTS & BLOCK HIDDEN & NOT SHOWN)



LIST OF PARTS		
DESCRIPTION	MATERIAL	FINISH
HOUSING	TPE	SEE TABLE
FEMALE CONTACT	BRASS	
RIVET	BRASS	
MALE CONTACT	BRASS	
BLOCK	BRASS	

DIMENSION SHEET FOR CAT. NO.

SEE TABLE

REPAIRABLE

NON-REPAIRABLE

B

M-8937

4

SYM	REVISIONS	APP	DATE
4	REVISED NOTE 2 FROM 600VAC/250VDC TO 600V PER DCN 23410 RGP	RGP	11/01/17
3	UL FILE REVIEW UPDATE PER UL1691-12. CHANGE DIMS FROM 6.04 TO 6.10 FROM 5.78 TO 5.83 PER DCN 20659 CAC	CAC	08/15/14
2	REMOVE ϕ 1.06 [27.0] & ϕ 1.22 [30.9] ADD \pm .02 & \pm .5 TO NOTE 1 CHANGED NOTE 3 PER DCN 11484 TwB	TWB	12/15/04
1	RELEASED PER DCN 10992 MJM	TWB	6/25/03

THE DESIGN AND DIMENSIONS OF THE PRODUCT SHOWN ON THIS DRAWING ARE SUBJECT TO CHANGE WITHOUT NOTICE

TITLE
SINGLE POLE TRI-TAP FEMALE/ MALE/MALE/MALE

TOLERANCES UNLESS OTHERWISE SPECIFIED FRACTIONS \pm 1/64 DECIMALS \pm .005 ANGLES \pm 2°	WIRING DEVICE-KELLEMS HUBBELL INCORPORATED BRIDGEPORT, CT	
	DR. BY MJM	APP. BY TWB
	TR. BY	SCALE 1/2
	CHK'D BY TWB	DATE 6/11/03

HUBBELL CAT. NO.	COLOR
HBLF3MBK	BLACK
HBLF3MW	WHITE
HBLF3MGN	GREEN
HBLF3MR	RED
HBLF3MBL	BLUE
HBLF3MO	ORANGE
HBLF3MBN	BROWN
HBLF3MY	YELLOW

- NOTES:
- DIMENSIONS ARE INCHES \pm .02 [mm] \pm .5
 - RATING: 600V 400 AMP
 - UL/c-UL ENCLOSURE TYPES 3R, 4X, 12, SEE INSTRUCTION SHEET