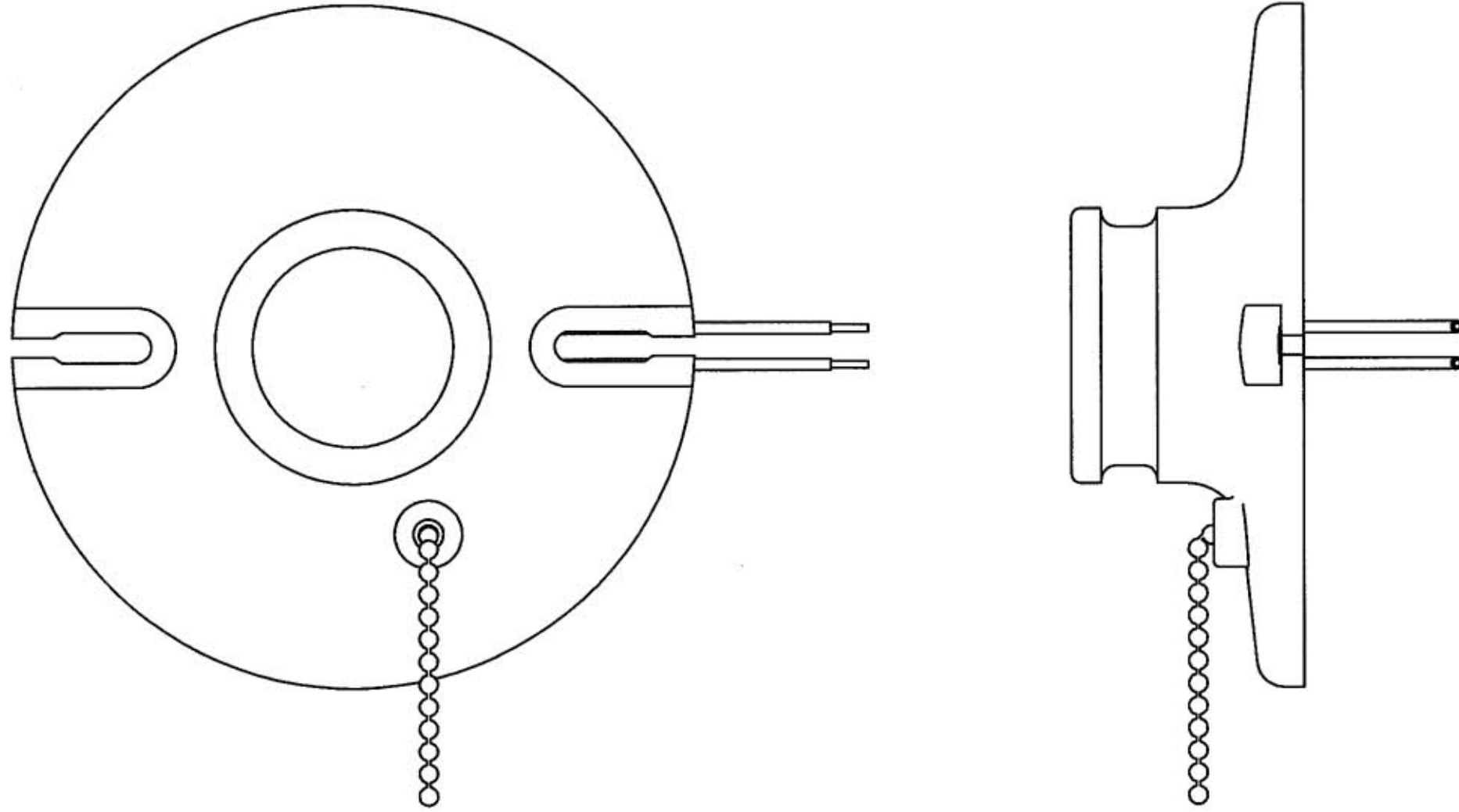


M-10147

1



LIST OF PARTS

DESCRIPTION	MATERIAL	FINISH
LAMPHOLDER BASE	PORCELAIN	WHITE
SCREWS, MOUNTING	STEEL	

DIMENSION SHEET FOR CAT. NO. RL8816

REPAIRABLE NON-REPAIRABLE

1	08/21/06 RELEASED TO PRODUCTION PER DCN# 13353	RDK	08/21/06	<input type="checkbox"/>
SYM	REVISIONS	APP	DATE	

THE DESIGN AND DIMENSIONS OF THE PRODUCT SHOWN ON THIS DRAWING ARE SUBJECT TO CHANGE WITHOUT NOTICE

TITLE
 OUTLET BOX LAMPHOLDER
 MEDIUM BASE, PORCELAIN
 PULL CHAIN, 6" PIGTAIL LEADS

TOLERANCES UNLESS OTHERWISE SPECIFIED	HUBBELL WIRING SYSTEMS BRIDGEPORT, CT	
FRACTIONS ± 1/84	DR. BY AMZ	APP. BY RDK
DECIMALS ± .005	TR. BY	SCALE NONE
ANGLES ± 2°	CHK'D BY RDK	DATE 05/09/06

M-10147

1

NOTES:

PRODUCT SPECIFICATIONS
 6" PIG TAIL LEADS #14 AWG STRANDED.
 660W-250V
 PULL CHAIN
 INCLUDES (2) #8-32 MOUNTING SCREWS
 UL LISTED