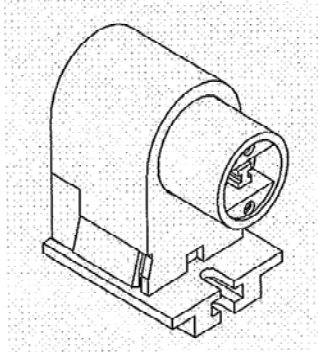
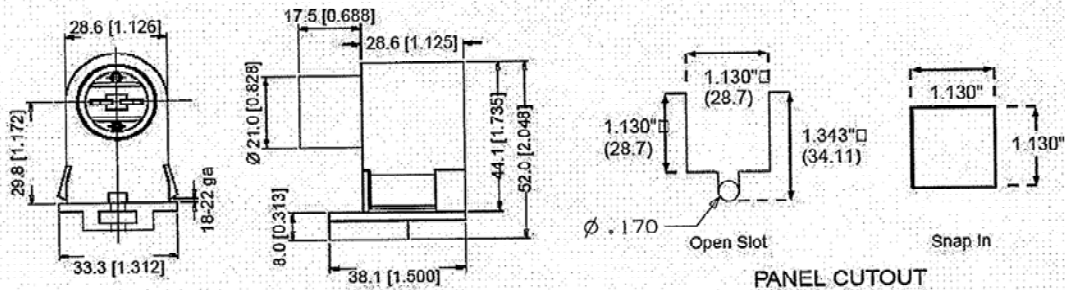


M11283 | 1



NOTES:

1. DIMENSIONS ARE mm [INCHES]. FOR PANEL CUTOUT DIMENSIONS ARE INCHES (mm).
2. MADE FROM POLYCARBONATE. FLEXIBLE SNAP-IN WINGS FOR QUICK EASY INSERTION INTO PANEL.
3. FOR USE WITH 60-112W, T17/12/10J LAMPS. QUICK CONNECT PUSH-IN WIRE TERMINALS ACCEPT 18 AWG SOLID OR SOLDER DIPPED LEADS, STRIPPED 3/8". MAXIMUM 6.5 LBS. CONDUCTOR INSERTION FORCE.
4. TWO WIRE PORTS PER TERMINAL TO SPEED HARNESS WIRING. ACCOMMODATE PANEL THICKNESS .91 - 1.21mm [.036-.048 IN.]
5. c UL US LISTED; c CSA US CERTIFIED. RATED 660W MAX., 600V MAX. ON SPRING END.
6. PACKAGING: SEALED IN POLYBAG.
7. DIMENSIONAL TOLERANCES: ±0.05", ±0.010".

LIST OF PARTS

DESCRIPTION	MATERIAL	FINISH
LAMPHOLDER	PC	WHITE

SYM	REVISIONS	APP	DATE
1	12/01/09 RELEASE TO PRODUCTION PER DCN 18198	CAC	

THE DESIGN AND DIMENSIONS OF THE PRODUCT SHOWN ON THIS DRAWING ARE SUBJECT TO CHANGE WITHOUT NOTICE

TITLE
HIGH OUTPUT FLUORESCENT LAMPHOLDER, SLIDE-ON LOW PRF, SPRING END

WIRING DEVICE-KELLEMS HUBBELL INCORPORATED BRIDGEPORT, CT	
DR. BY DLI	APP. BY CAC
TR. BY	SCALE NONE
CHK'D BY	DATE 04/01/09