

H-MOSS® Controls Adaptive Dual (Ultrasonic and Passive Infrared) Ceiling Sensors

HUBBELL

Features

- Coverage 1000 sq. ft. (180°) with photocell and isolated relay, low voltage sensor
- Minimize the risk of false triggering; lights turning ON when the space is un-occupied. Offer the best performance for most applications
- Office White ABS enclosure blends with ceiling tile
- Relay to interface with auxiliary systems such as HVAC
- Red LED indicates passive infrared detection and Green LED indicates ultrasonic detection
- "Install and Forget" operation. Auto-adjusting adaptive technology eliminates manual adjustments

Ordering Information

Description	Device Color	UPC Number	Catalog Number
Low voltage sensor with photocell and isolated relay	Office White	783585392417	ATD1000CRP

Listings

cULus listed to UL244A
ASHRAE 90.1 compliant
CEC Title 24 compliant

Specifications

Housing	Flame retardant UL 94 V-0 ABS
Lens	Polyethylene
Dimensions	1.5"H x 4.5"D
Mounting Height	8 to 12 feet

Performance

Controls

Ambient Light	1 to 1000 foot candles
Sensitivity	Adaptive 0 to 100%
Time Delay	Test (8 seconds), adaptive 8 to 40 minutes

Electrical

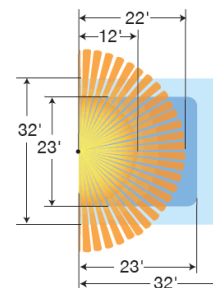
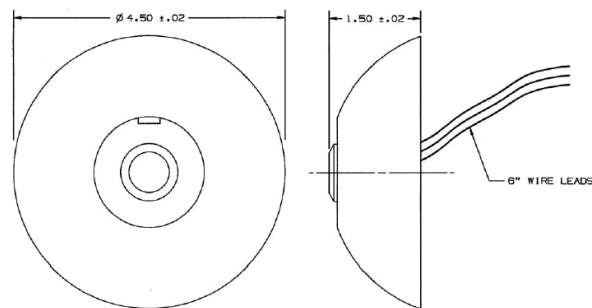
Isolated Relay	Normally open and normally closed terminals available
Power Requirements	24V DC nominal, 33mA from Hubbell CU series control unit

Environmental

Operating Temperature	32°F to 104°F (0°C to 40°C) with rate of change not exceeding 20°F (11°C) per hour
Storage Temperature	-20°F to 150°F (-29°C to 65°C); 0% to 95% non-condensing relative humidity

Sensing Indicators

Passive Infrared	Red LED
Ultrasonic	Green LED



Complementary Products

Control Unit Auto-ON	CU300A
Control Unit Manual-ON	CU300M
Control Unit, HD, Latching, Auto/Manual-ON	CU300HD
Ceiling mount wire guard	ACMG
Ceiling mount raceway adapter	ACMRA

Online Resources

Customer Use Drawing
eCatalog
Installation Instructions

Dimensions in Inches (mm)

Specifications subject to change without notice.

