

Floor Boxes

SystemOne Recessed 4 Gang Floor Box

For Use In Concrete Floors

Features

- Designed for applications requiring up to 2 in. conduits (with use of CFBHUB2 purchased separately)
- Stamped steel construction, exterior coated with fusion bonded epoxy paint for on grade use
- Pre and post pour adjustment
- Patent pending, labor saving, easy mount device plates
- Rectangular covers

Ordering Information

- A ½ in. yellow plastic cover insert is included and allows for easy use in tile, finished concrete or other mediums
- 6 inch solid conductor ground pigtail in each gang

Catalog Number CFB4G30CR	UPC Number 783585540931	Cover Series 24Gxx	Box Type On Grade
Device Volume 32 1/2 cu in.	Depth Behind Mounting Plate 2 1/2 in.	Min. Pour Depth 3 in.	

Specifications

Box Material	16 gauge galvanized steel
Access Cover Material (ordered separately)	Die cast aluminum
Plastic Concrete Cover	Polypropolyne - yellow

Required

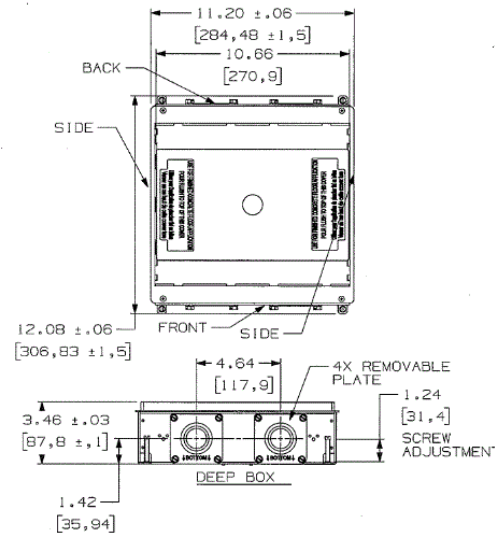
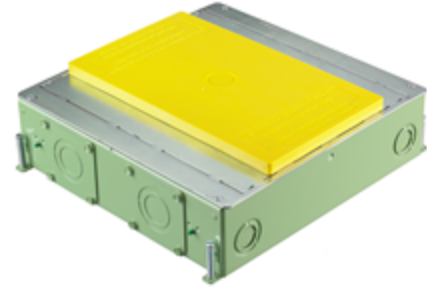
Cover

- Surface Style Rectangular Covers (for use with carpet, tile, VCT and other engineered floors) [Click here](#)
- Flush Style Rectangular Covers (for use with tile, finished concrete and Terrazzo floors) [Click here](#)

Accessories

2 in. threaded zinc hub	CFBHUB2
Replacement knock-out plate with epoxy coating	CFBKOPATECR
Replacement wire-way, used to pass wires from one compartment to the other	CFB46WW

HUBBELL



Online Resources

Customer Use Drawing
eCatalog
Installation Instructions