

H-MOSS® Controls Load:Logic™ Plug Load Control Heavy Duty Control Unit

HUBBELL

Features

- Robust latching relay provides unsurpassed and unrestricted performance
- Controlled by Hubbell occupancy sensors
- Auto or manual "ON" operation
- Powers up to six low voltage sensors
- Plenum rated

Ordering Information

Description	Device Color	UPC Number	Catalog Number
Receives signals from sensors and controls its assigned receptacles	Black	783585256207	CU300HD

Listings

UL/cUL 916 Listed for Energy Management
CEC Title 24 Compliant
ASHRAE 90.1 compliant
UL2043 plenum rated per NEC® 2014 300.22(C)(3)

Specifications

Housing	Flame retardant UL 94-5VA thermoplastic
Dimensions	4.00"L x 3.4"W x 1.73"H
Hardware	Included

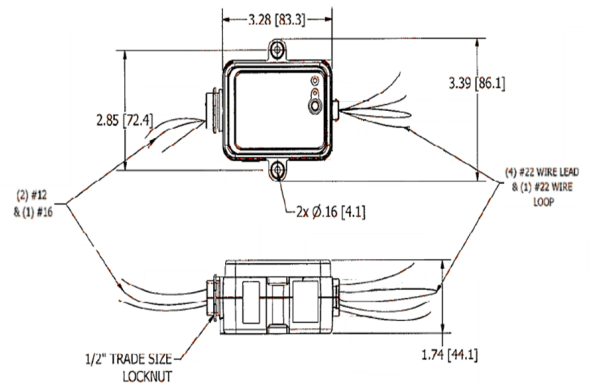
Performance

Electrical

AT Sensor/AAR Capacity	1 to 6 combined
Load Capacity	20A, 100-277V; 1HP @ 120V AC; 2HP @ 240/277V
Motor Loads	1HP @ 120V, 2HP @ 240/277V
Power Output	24V DC 250mA
Power Supply	100-277V AC, 50/60 Hz
Relay	Heavy duty; magnetic latching. Silver alloy contacts. Very low standby power consumption

Environmental

Flammability	UL 94-5VA
Operating Temperatures	-40°F (-40 °C) to 149°F(65 °C). Below 32°F (0°C) must use suitably rated non-metallic enclosure. 0% to 90% humidity, non-condensing.



Complementary Products

Occupancy Sensors	ATD2000C, ATD1000C, ATD1600W
Straight Blade Receptacles	5262W, 5362W, DR15WHI, DR20WHI
Low Voltage Switch	DSL30W1, DSM30W1
Permanent Marking Labels	CL60
Additional Information	See H-MOSS® section in our eCatalog for more energy management solutions

Online Resources

Customer Use Drawing
eCatalog
Installation Instructions

Dimensions in Inches (mm)

Specifications subject to change without notice.

