

Ground Fault Products
 Extra Heavy Duty Industrial & Hospital Grade
 GFCI Receptacles
 Tamper-Resistant and Weather Resistant

HUBBELL

Features

- 10kA Short Circuit Current Rating
- Limits improper access to energized contacts
- Power indication
- Ground fault indicator
- No power at face if reverse wired

Ordering Information

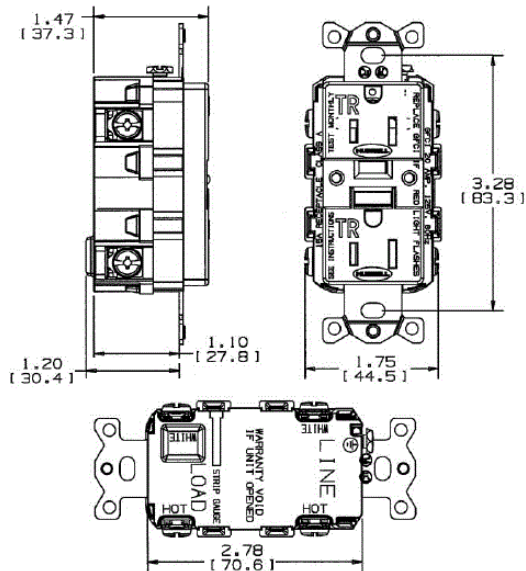
Description	Color	UPC	Catalog Number
15A, 125V, Style Line®, AUTOGUARD® self test GFCI receptacle, tamper-resistant and weather resistant, flush face, back and side wired, multiple drive screws	Gray	783585440927	GFR5262SGGY

Listings

UL Listed - Canadian and U.S.
 Meets ADA Standards
 Meets all NEC® requirements
 CSA Certified
 Fed Spec
 NEMA® WD-6 Compliant

Specifications

Face	PBT
Base	PBT
Power Contacts	Brass
Ground Contacts	Brass
Mounting Strap	Brass
Mounting Screws	Zinc plated steel



Online Resources

Customer Use Drawing
 eCatalog
 Installation Instructions